

US00D764324S

(12) **United States Design Patent**
Zhang et al.

(10) **Patent No.:** **US D764,324 S**

(45) **Date of Patent:** **** Aug. 23, 2016**

(54) **SINGLE BEAM DIGITAL HEIGHT GAUGE**

(56) **References Cited**

(71) Applicants: **Yanchen Zhang**, San Clemente, CA
(US); **Meng Zhang**, San Clemente, CA
(US)

U.S. PATENT DOCUMENTS

7,207,121	B2 *	4/2007	Wixey	G01B 5/061 33/613
7,263,786	B1 *	9/2007	Zanier	G01B 5/061 33/832
7,992,314	B2 *	8/2011	Strack	G01B 5/061 33/503
D678,088	S *	3/2013	Haykeen	D10/70
D727,760	S *	4/2015	Matsumiya	D10/70

(72) Inventors: **Yanchen Zhang**, San Clemente, CA
(US); **Meng Zhang**, San Clemente, CA
(US)

* cited by examiner

(**) Term: **15 Years**

Primary Examiner — Antoine D Davis

(21) Appl. No.: **29/528,714**

(74) *Attorney, Agent, or Firm* — Let Z. Kwan, Esq.

(22) Filed: **May 31, 2015**

(57) **CLAIM**

The ornamental design for a single beam digital height gauge, as shown and described.

(51) **LOC (10) Cl.** **10-04**

DESCRIPTION

(52) **U.S. Cl.**

USPC **D10/70**

FIG. 1 is a top, right perspective view of a single beam digital height gauge showing our new design;
FIG. 2 top plan view thereof;
FIG. 3 is a right side view thereof;
FIG. 4 is a top view of control panel thereof;
FIG. 5 is a bottom plan view thereof;
FIG. 6 is a left side view thereof;
FIG. 7 is a head on view thereof; and,
FIG. 8 is a rear end view thereof.

(58) **Field of Classification Search**

USPC D10/65, 70, 74

CPC G01B 7/12; G01B 7/125; G01B 7/13;

G01B 7/26; G01B 11/0608; G01B 11/22;

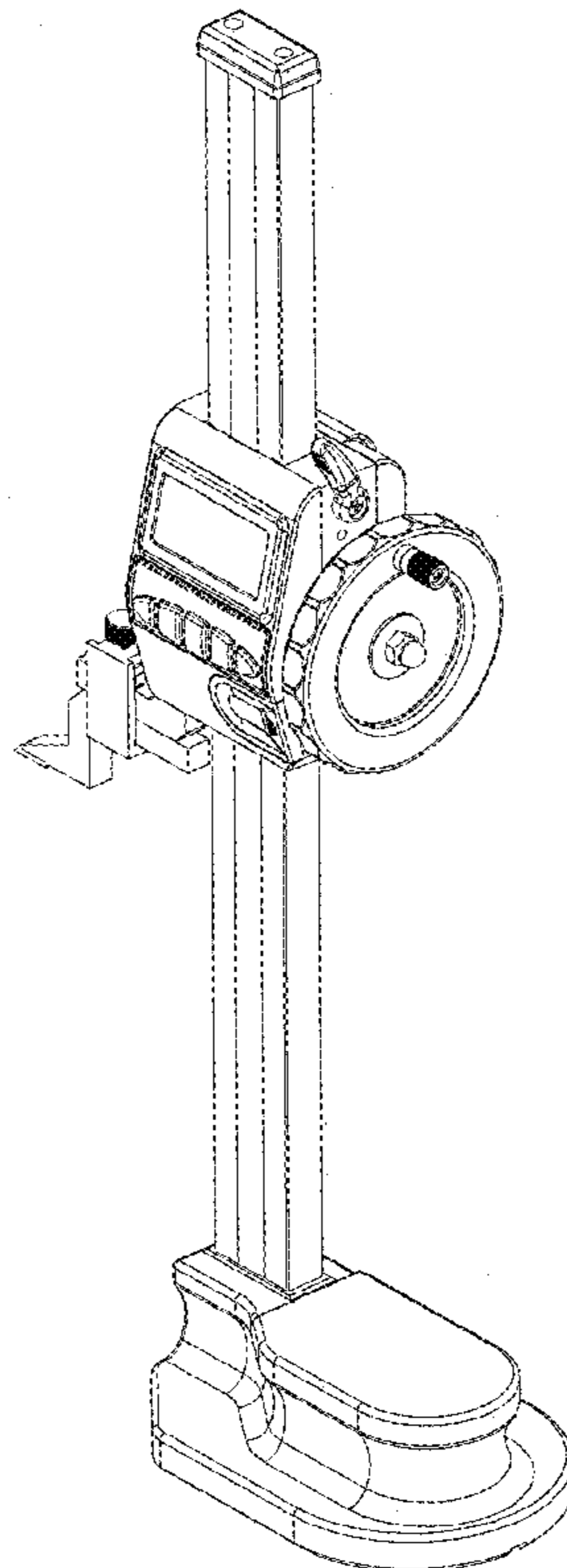
G01B 13/065; G01B 13/14; G01B 21/18;

G01B 5/061; G01B 5/063; G01B 5/065;

G01B 5/18

See application file for complete search history.

1 Claim, 5 Drawing Sheets



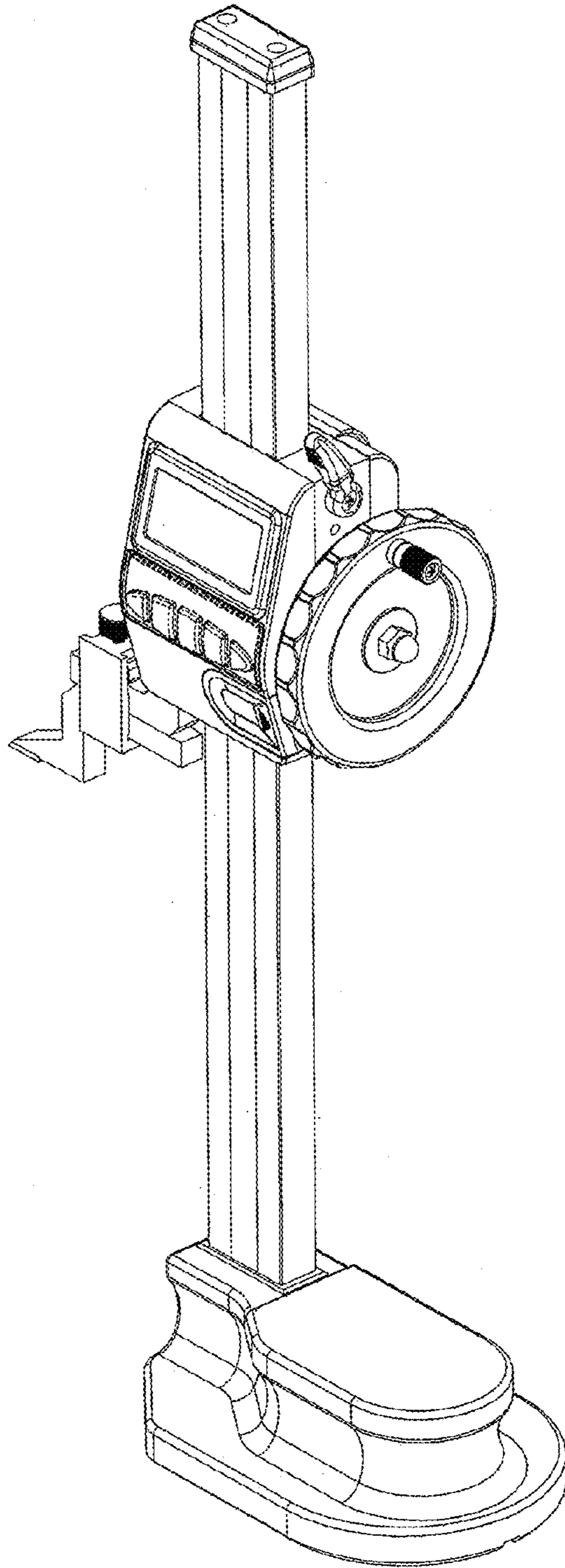


Fig. 1

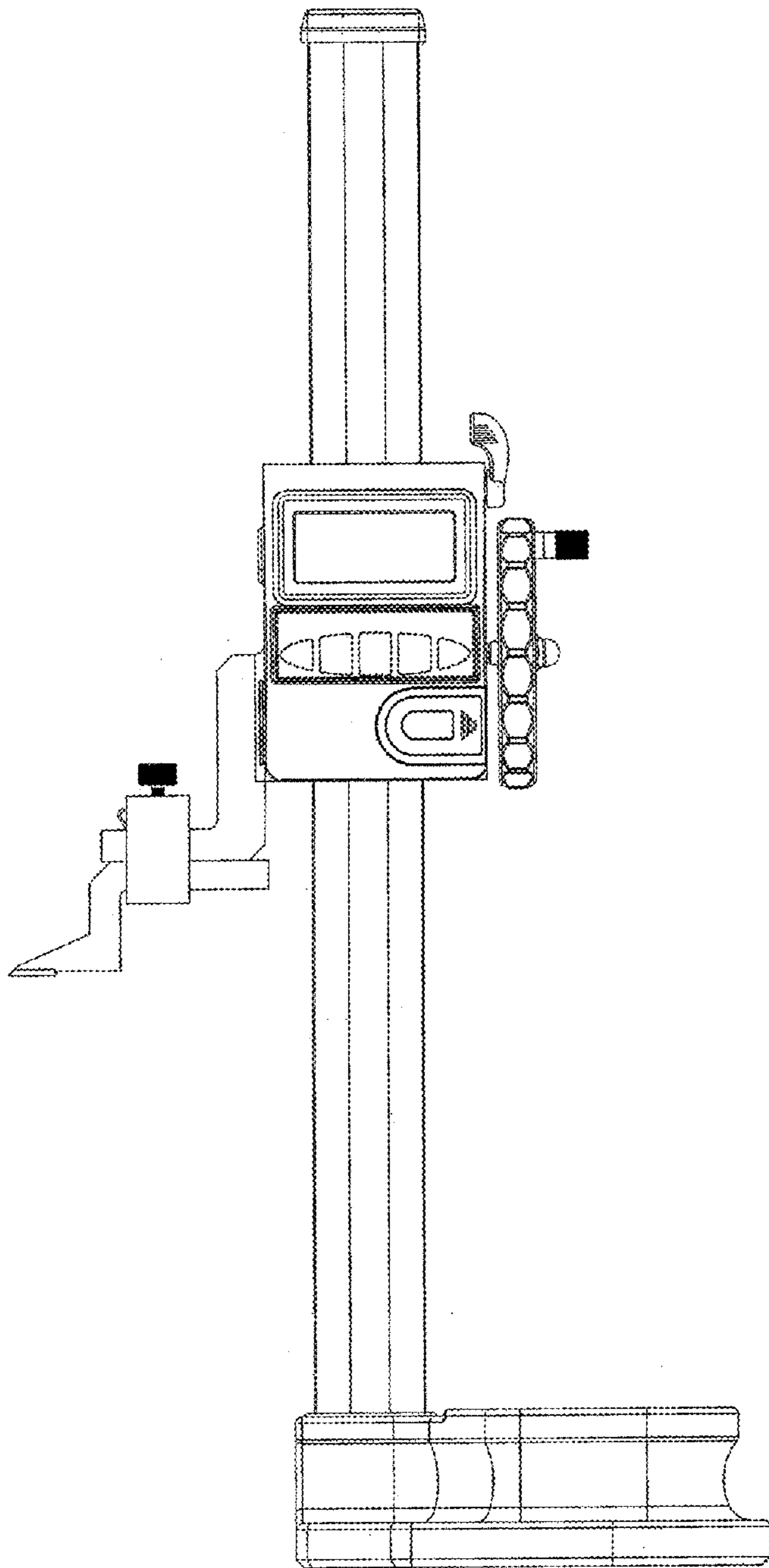


Fig. 2

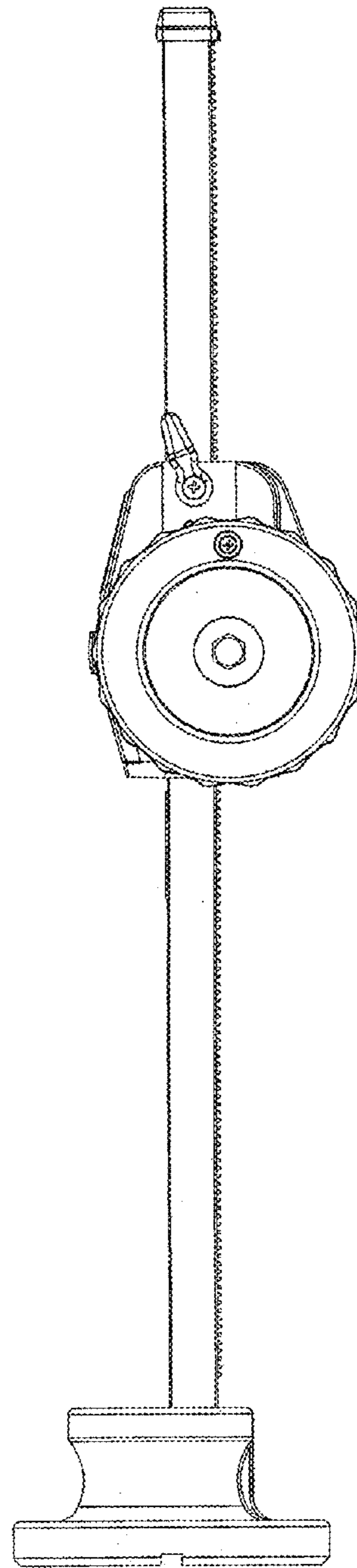


Fig. 3

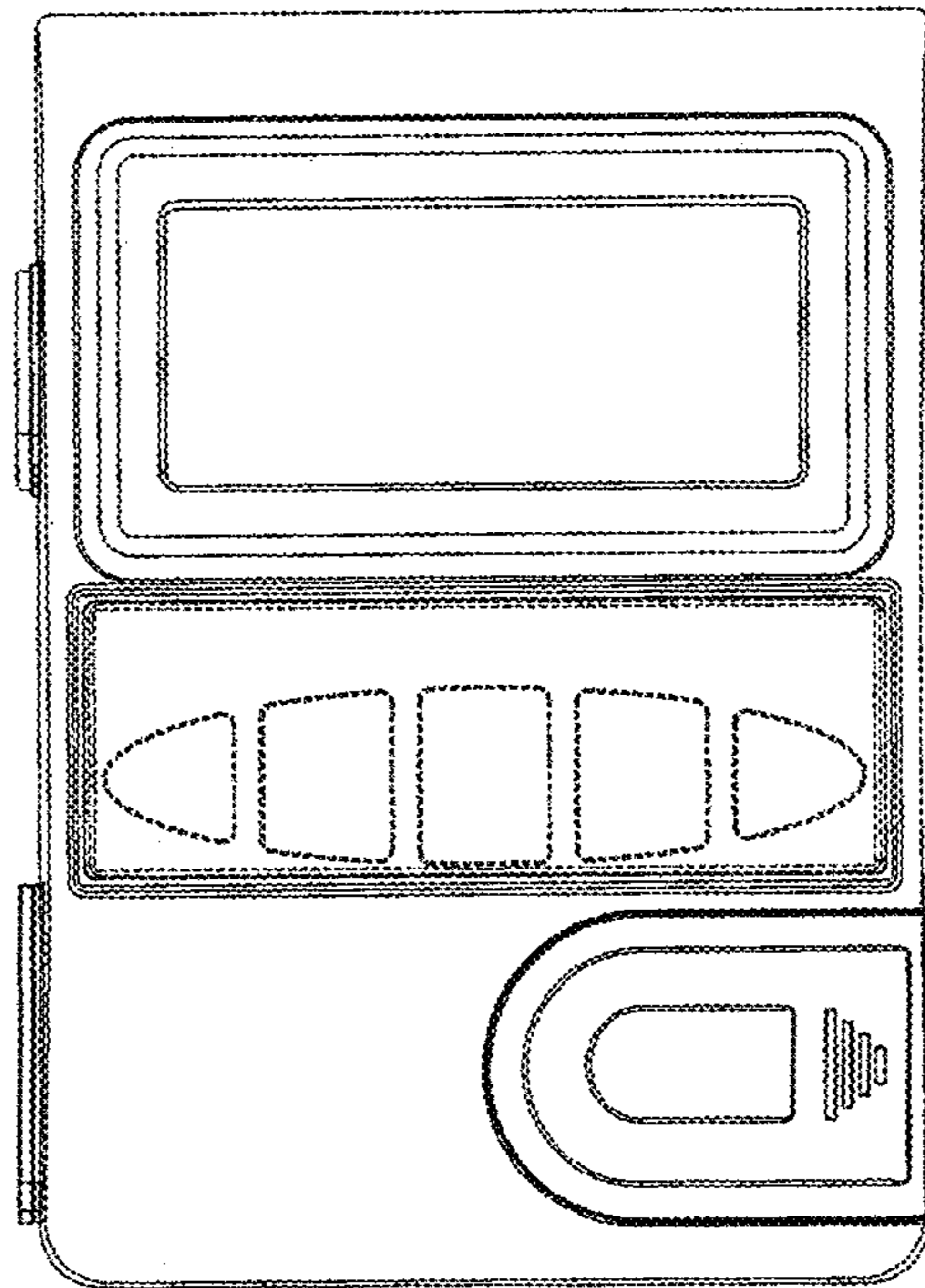


Fig. 4

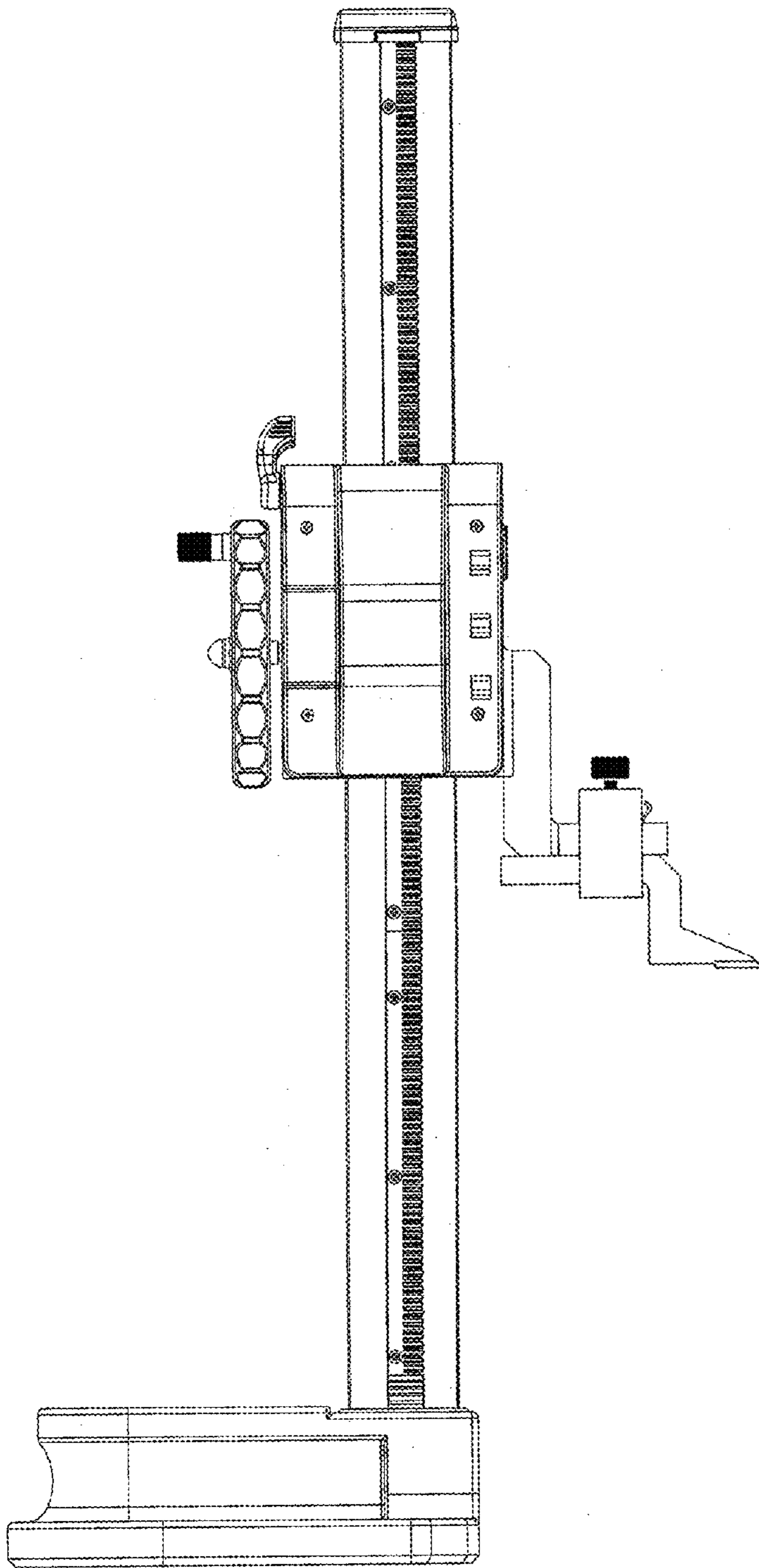


Fig. 5

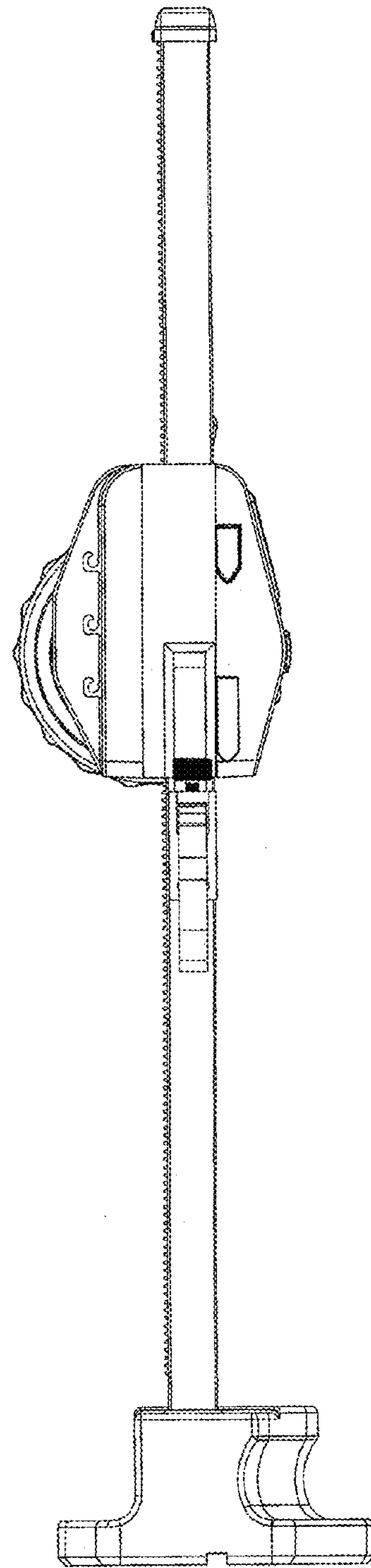


Fig. 6

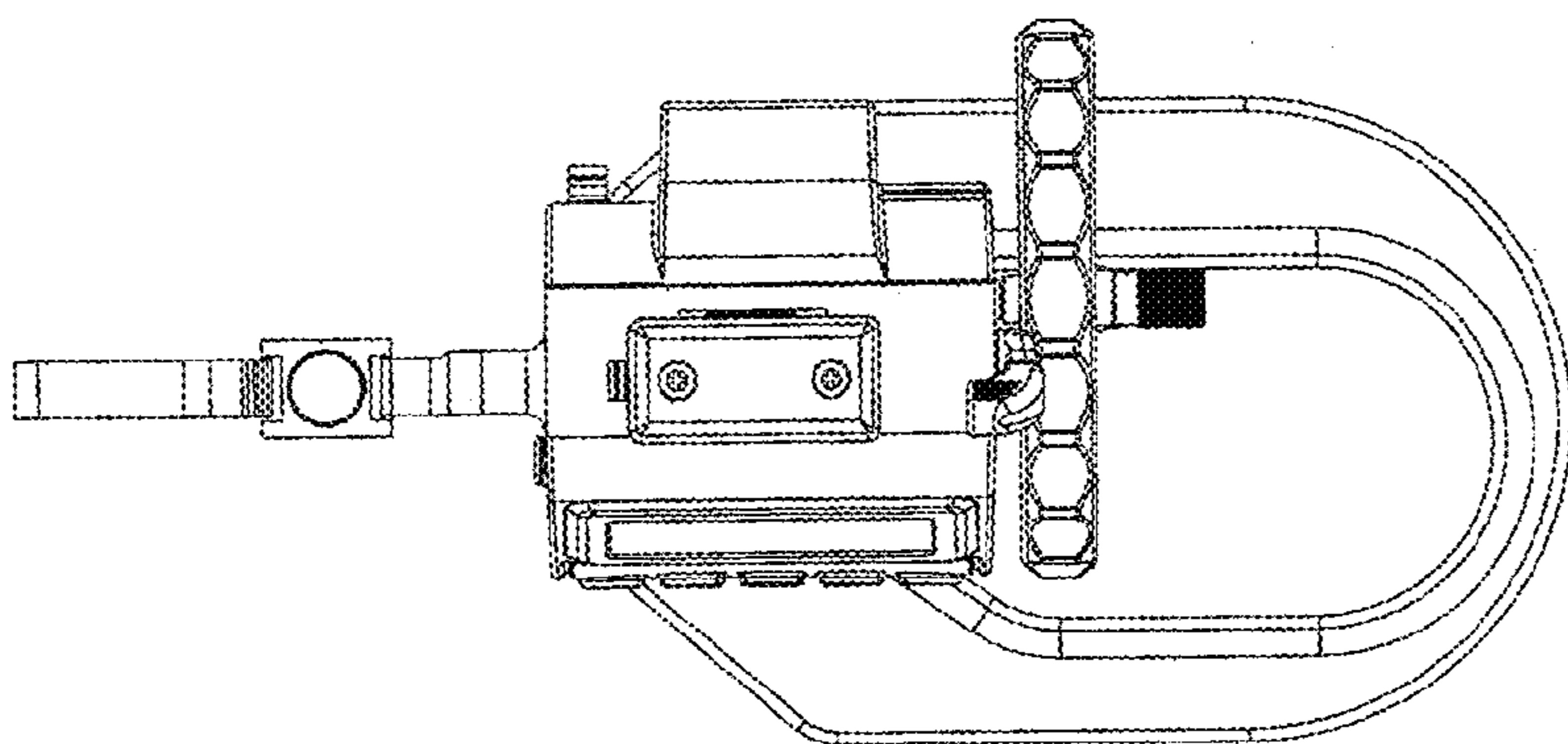


Fig. 7

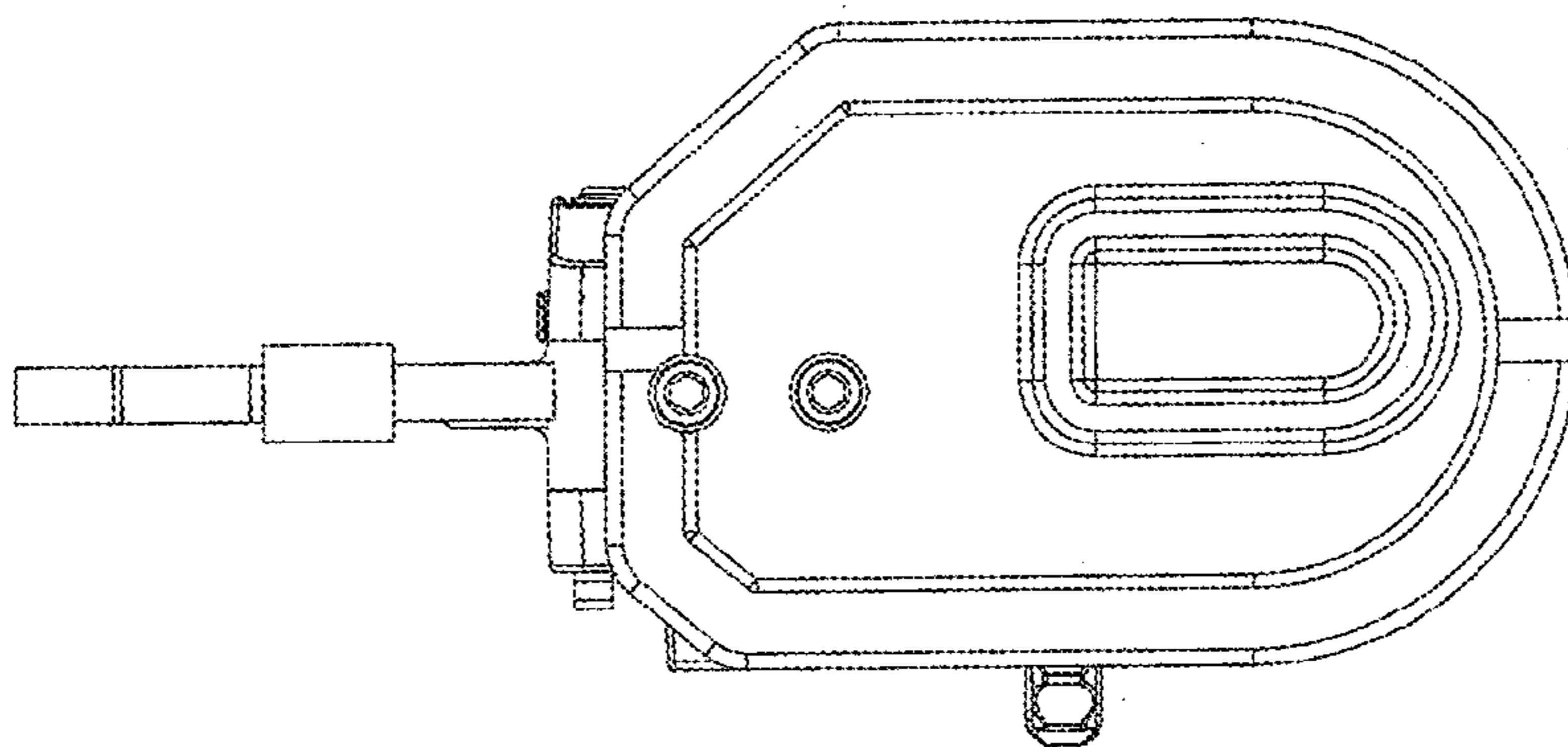


Fig. 8