

US00D764323S

(12) **United States Design Patent**
Yang et al.

(10) **Patent No.:** **US D764,323 S**

(45) **Date of Patent:** **** Aug. 23, 2016**

(54) **INTELLIGENT WATCH**

G04B 47/00–47/068; G01C 17/00; G01C 21/00–21/3697

(71) Applicant: **HON HAI PRECISION INDUSTRY CO., LTD.**, New Taipei (TW)

See application file for complete search history.

(72) Inventors: **Hsin-Yung Yang**, New Taipei (TW);
Ching-Min Lin, New Taipei (TW)

(56) **References Cited**

(73) Assignee: **HON HAI PRECISION INDUSTRY CO., LTD.**, New Taipei (TW)

U.S. PATENT DOCUMENTS

D708,534 S * 7/2014 Martin D10/104.1
D734,330 S * 7/2015 Huang D14/344
D748,997 S * 2/2016 Block D10/32

(**) Term: **14 Years**

* cited by examiner

(21) Appl. No.: **29/522,884**

Primary Examiner — Antoine D Davis

(74) *Attorney, Agent, or Firm* — ScienBiziP, P.C.

(22) Filed: **Apr. 3, 2015**

(57) **CLAIM**

The ornamental design for an intelligent watch, as shown and described.

(30) **Foreign Application Priority Data**

DESCRIPTION

Jan. 15, 2015 (TW) 104300206

(51) **LOC (10) Cl.** **10-04**

(52) **U.S. Cl.**
USPC **D10/70**; D10/38; D10/97

(58) **Field of Classification Search**
USPC D10/30–39, 65, 70, 78, 97, 98; D11/3;
D14/138 R, 203.5, 203.6, 341, 344,
D14/347; D24/167, 168

CPC A44C 5/00–5/16; G04B 37/00–37/228;
G04B 45/0069; G04B 47/04; G04B
19/00–19/34; G04B 21/12; G04B 23/12;

FIG. 1 is a perspective view of an intelligent watch showing our new design;

FIG. 2 is a front elevational view thereof;

FIG. 3 is a rear elevational view thereof;

FIG. 4 is a left side elevational view thereof;

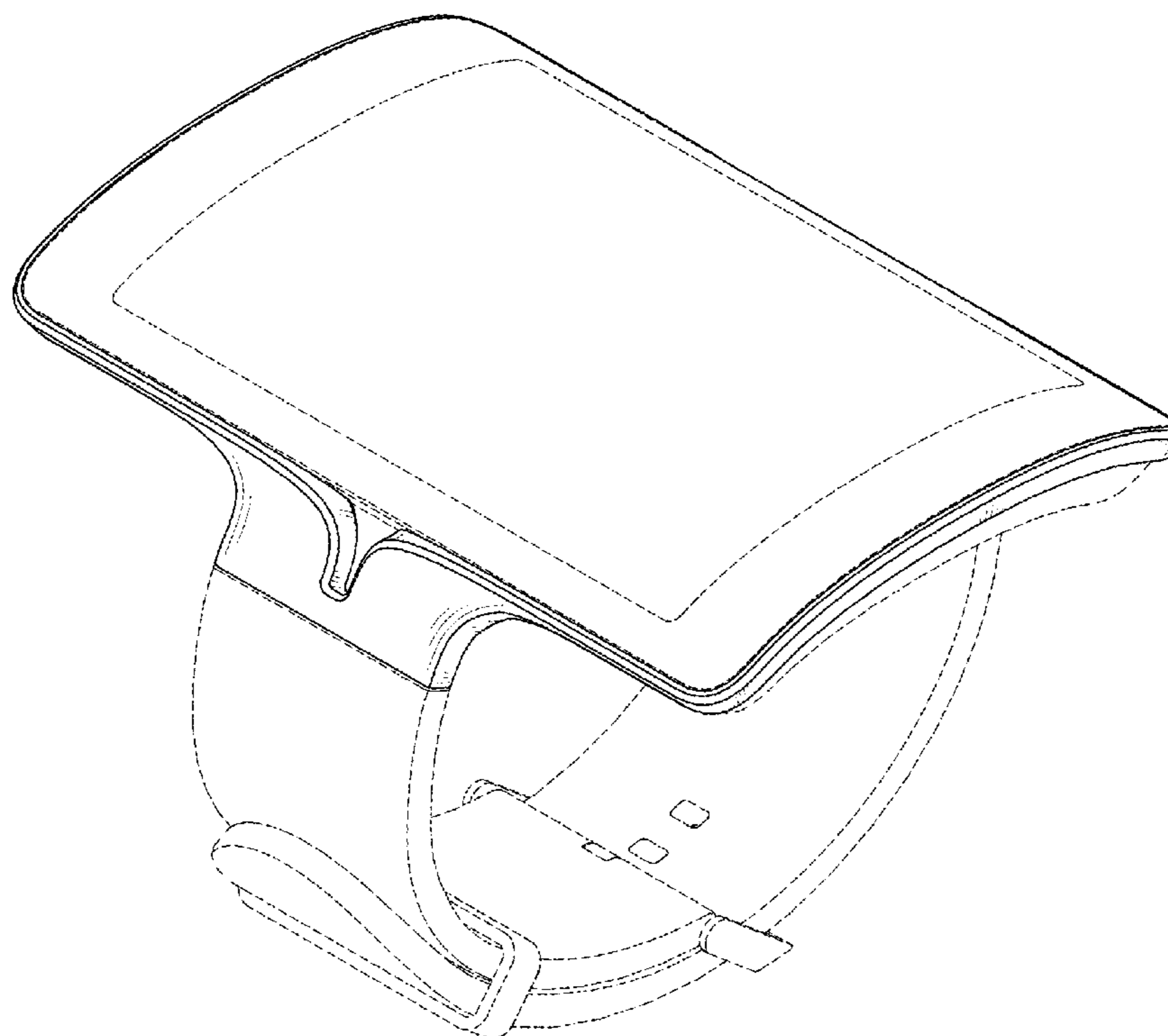
FIG. 5 is a right side elevational view thereof;

FIG. 6 is a top plan view thereof; and,

FIG. 7 is a bottom plan view thereof.

Broken lines illustrate unclaimed portions of the intelligent watch; broken lines form no part of the claimed design.

1 Claim, 7 Drawing Sheets



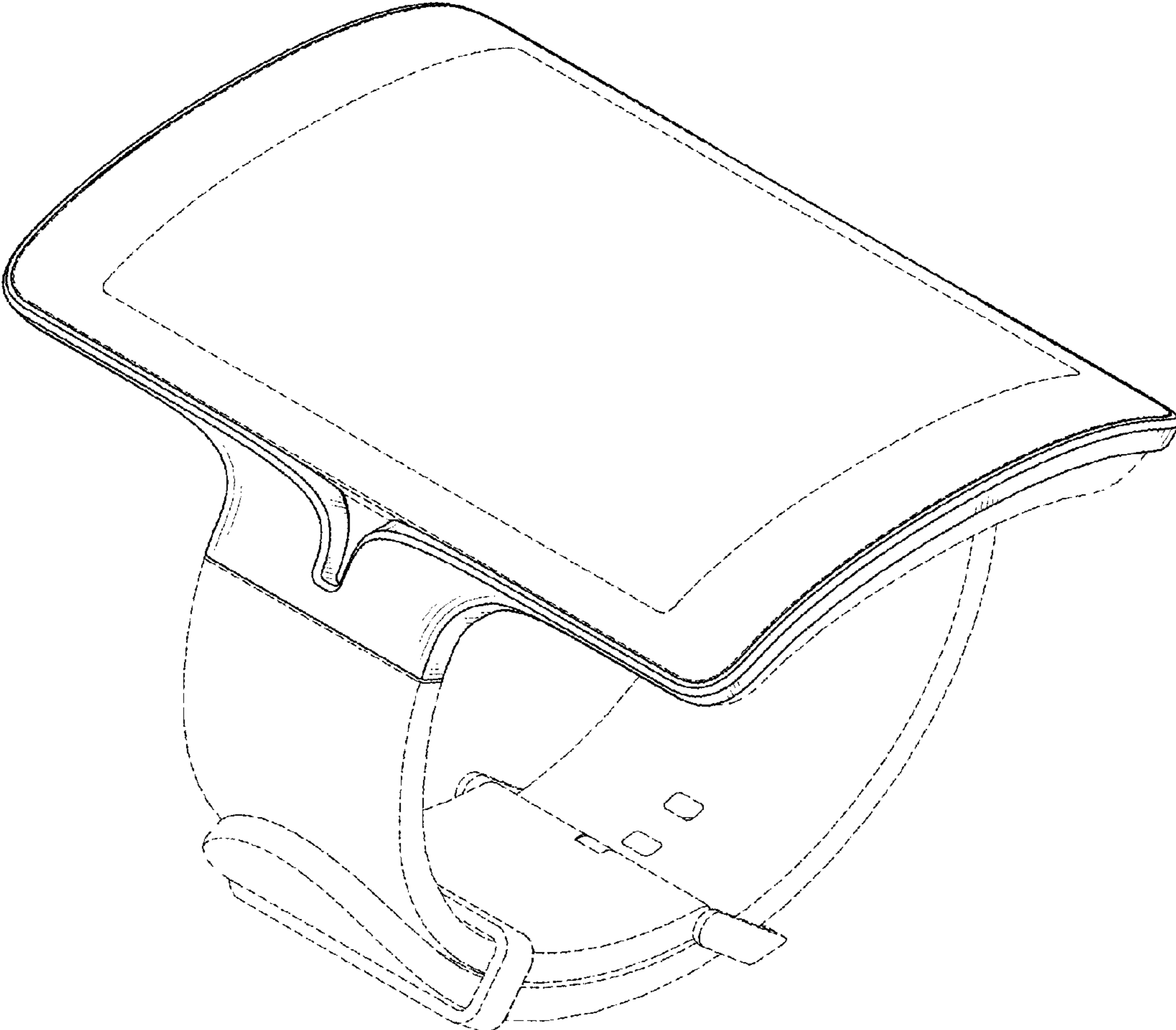


FIG. 1

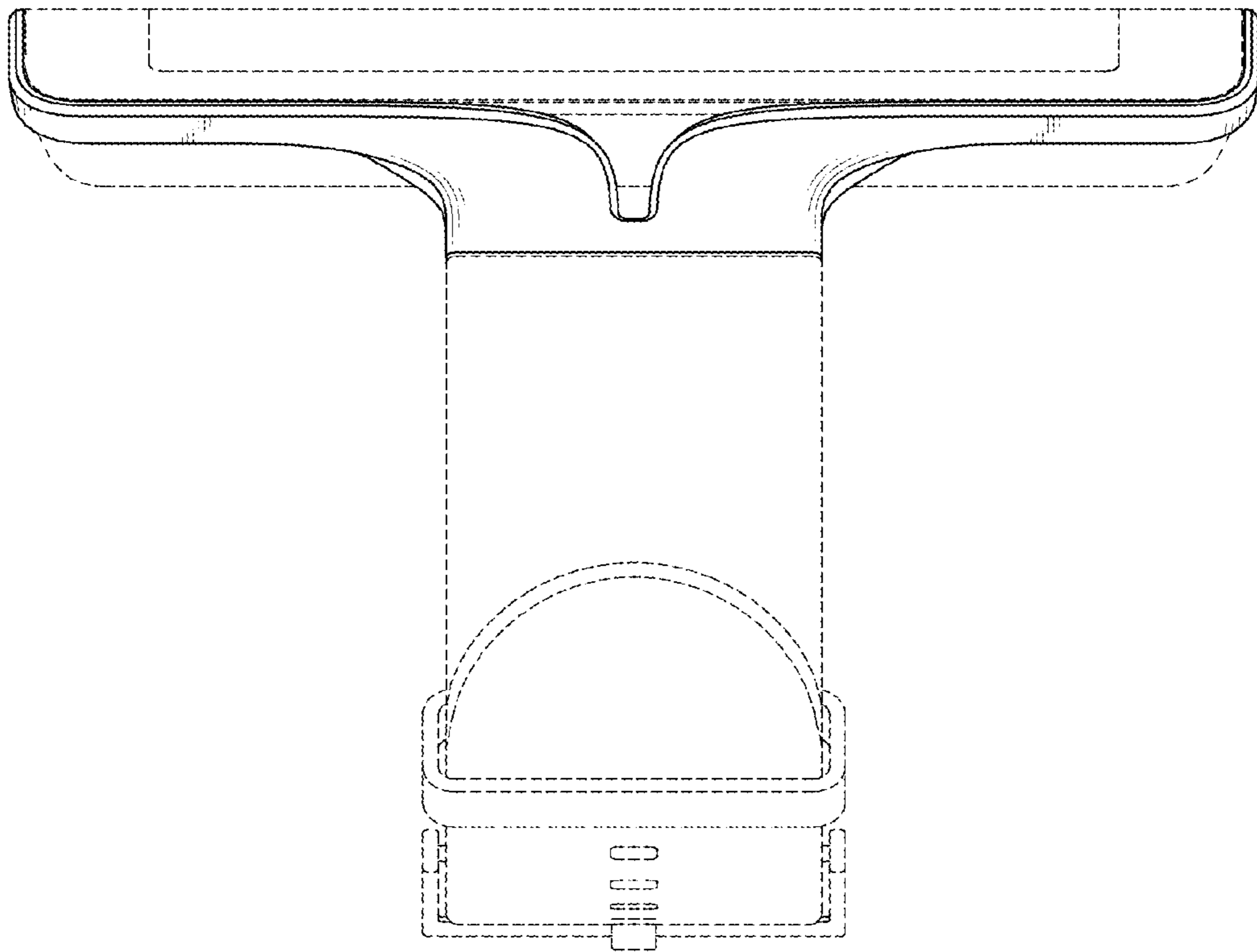


FIG. 2

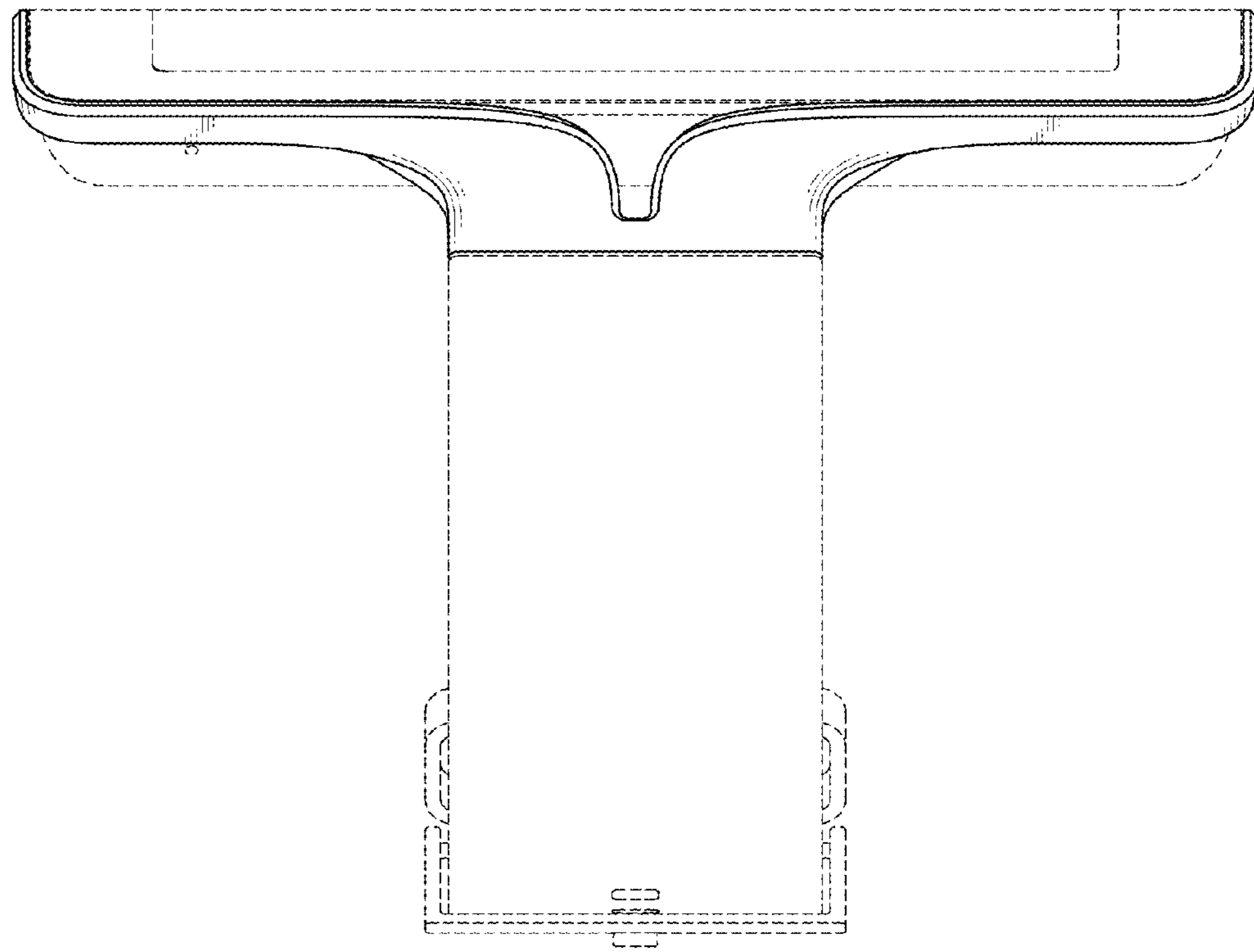


FIG. 3

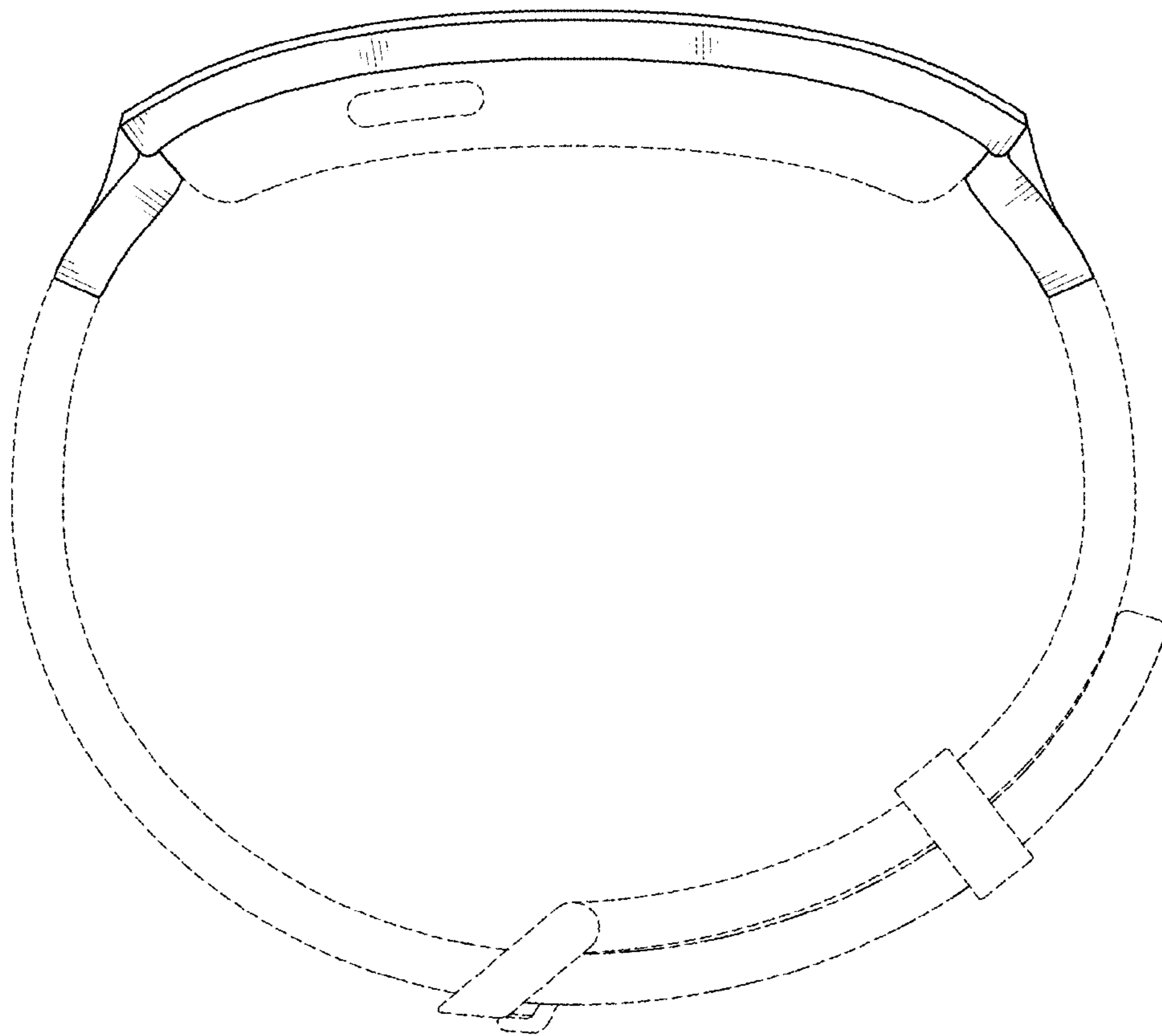


FIG. 4

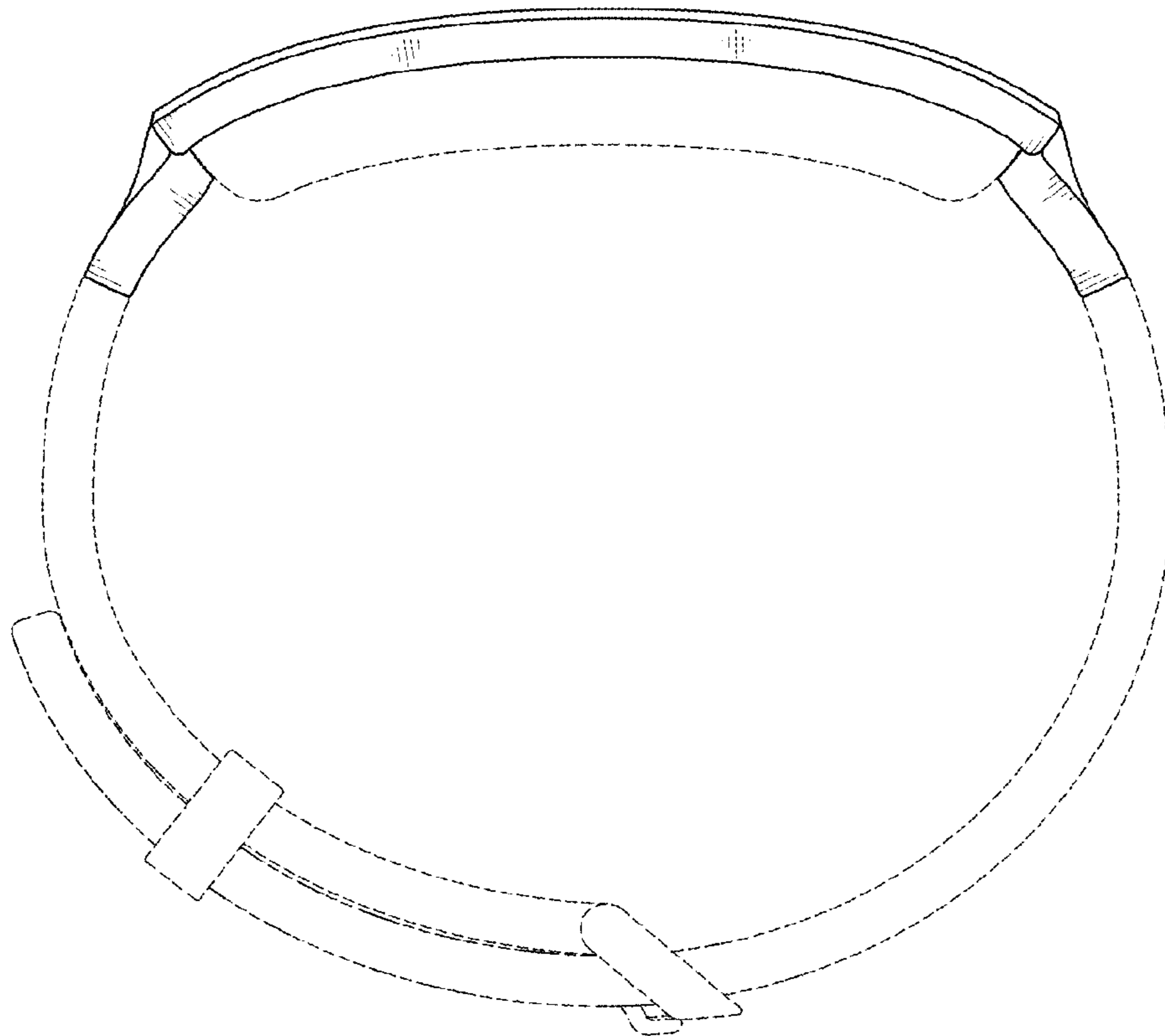


FIG. 5

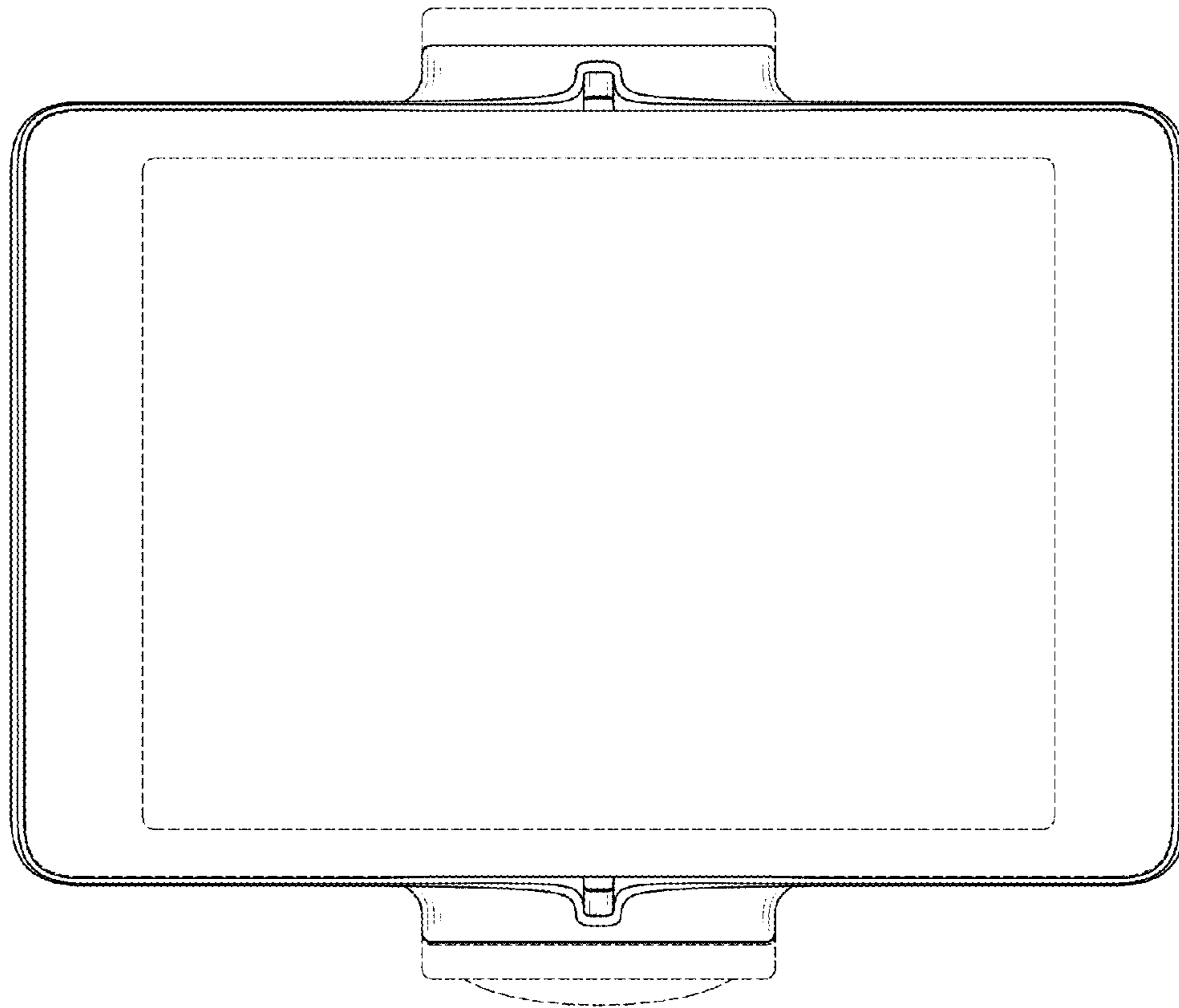


FIG. 6

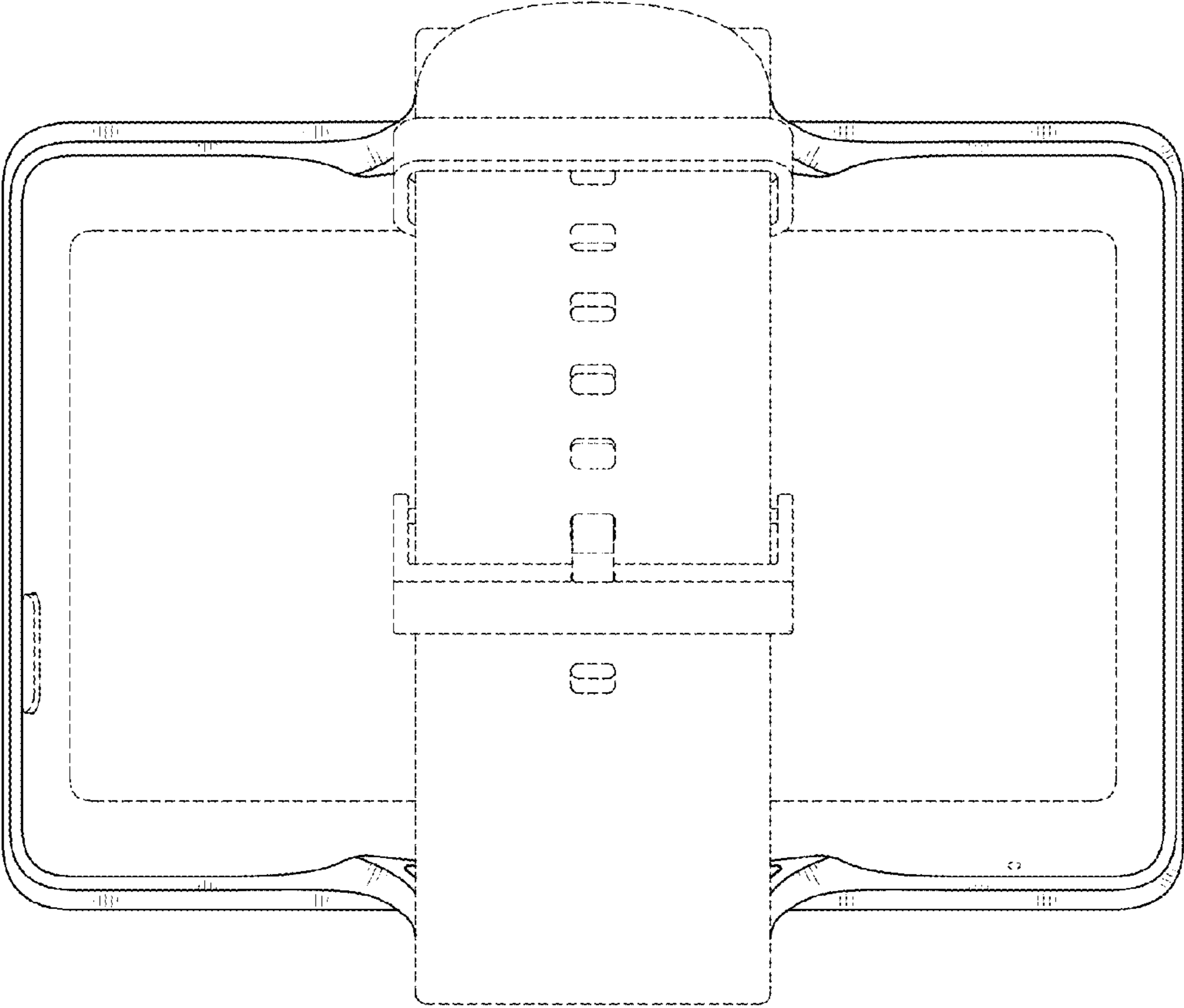


FIG. 7