



US00D764320S

(12) **United States Design Patent**
Li

(10) **Patent No.:** **US D764,320 S**

(45) **Date of Patent:** **** Aug. 23, 2016**

(54) **TEMPERATURE SENSOR**

(71) Applicant: **Chuango Security Technology Corporation, Fuzhou (CN)**

(72) Inventor: **Chen Li, Fuzhou (CN)**

(73) Assignee: **Chuango Security Technology Corporation, Fuzhou (CN)**

(**) Term: **14 Years**

(21) Appl. No.: **29/523,623**

(22) Filed: **Apr. 13, 2015**

(51) **LOC (10) Cl.** **10-04**

(52) **U.S. Cl.**
USPC **D10/50; D10/52**

(58) **Field of Classification Search**
USPC D10/49–52
CPC G01D 1/245; G01B 5/30; G01M 5/0075;
G01N 29/045; G01N 29/12; G01N 29/2475;
G01N 29/2481; G01J 1/429; A61B 5/04;
A63B 24/0084; A63B 24/0062; A63B
24/0075; A63B 69/0028; A63B 71/0622;
A63B 71/068

See application file for complete search history.

(56) **References Cited**

U.S. PATENT DOCUMENTS

D347,584 S *	6/1994	Vogelpohl	D10/49
D516,926 S *	3/2006	Roher	D10/50
D660,732 S *	5/2012	Bould	D10/49
8,478,447 B2 *	7/2013	Fadell	F24F 11/0012 165/200
D700,075 S *	2/2014	Bould	D10/49
D725,524 S *	3/2015	Takach	D10/103
D747,964 S *	1/2016	Limback	D9/426
9,237,869 B1 *	1/2016	Lee	A61B 5/6804

* cited by examiner

Primary Examiner — Antoine D Davis

(74) *Attorney, Agent, or Firm* — Alan D. Kamrath; Kamrath IP Lawfirm, P.A.

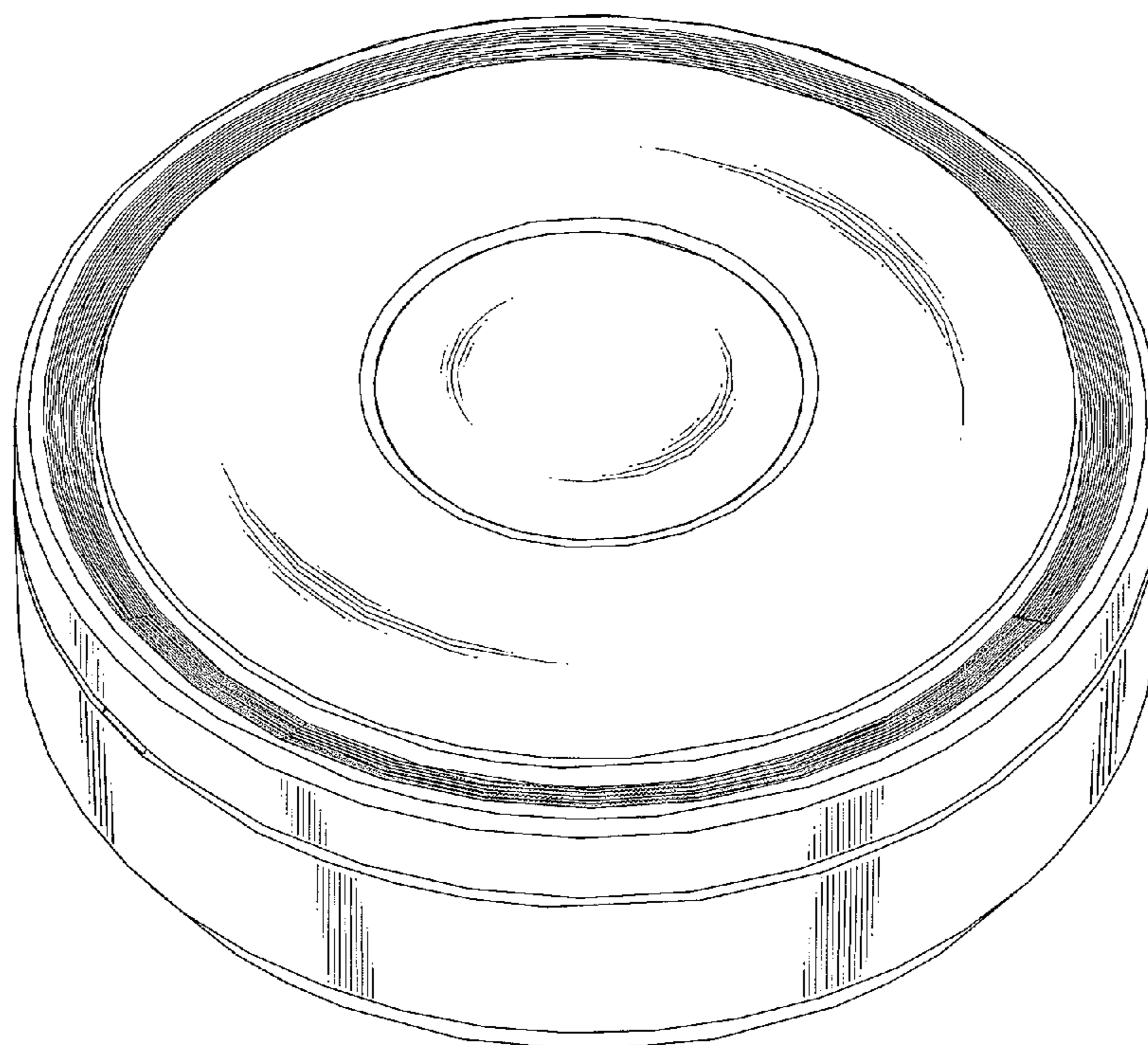
(57) **CLAIM**

The ornamental design for a temperature sensor, as shown and described.

DESCRIPTION

FIG. 1 is a perspective view of a temperature sensor in accordance with the design;
FIG. 2 is a front view thereof;
FIG. 3 is a rear view thereof;
FIG. 4 is a left view thereof;
FIG. 5 is a right view thereof;
FIG. 6 is a top view thereof; and,
FIG. 7 is a bottom view thereof.

1 Claim, 5 Drawing Sheets



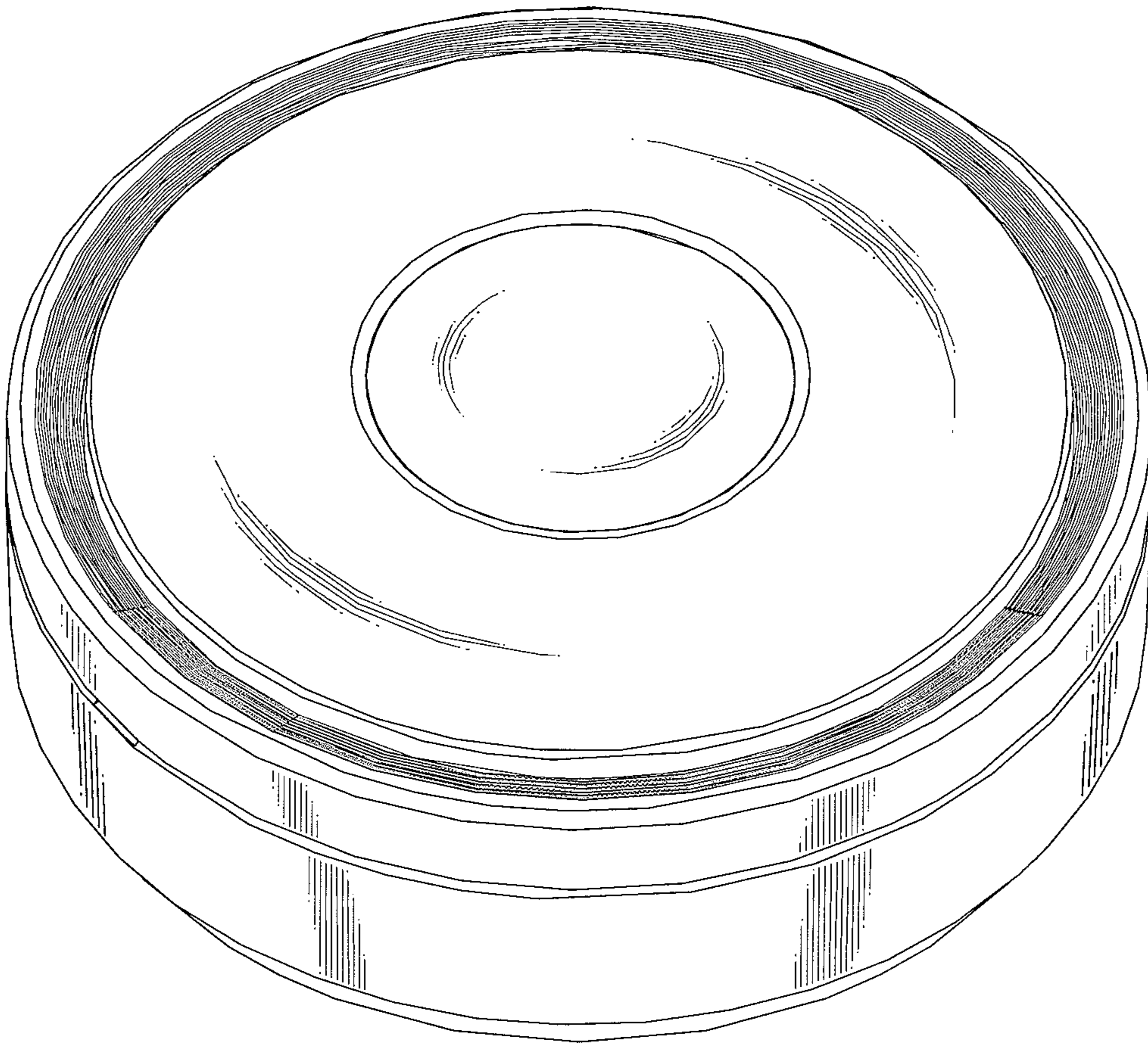


FIG. 1

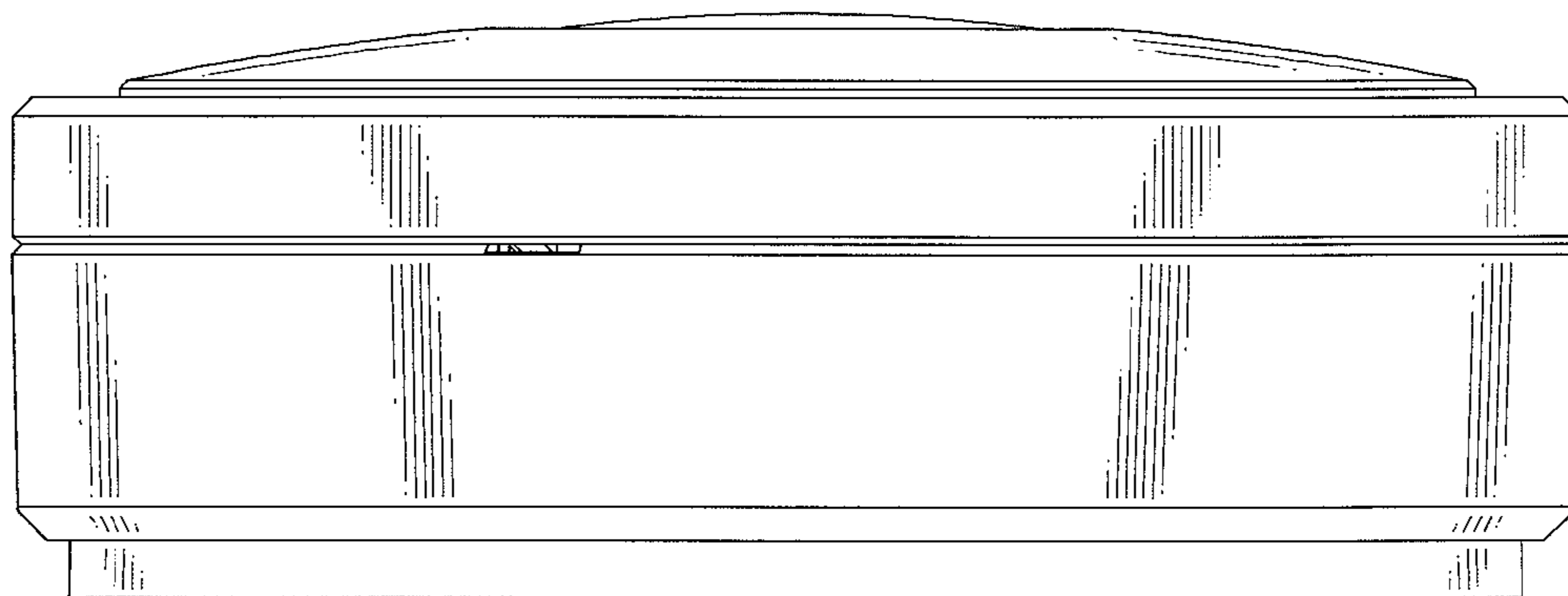


FIG. 2

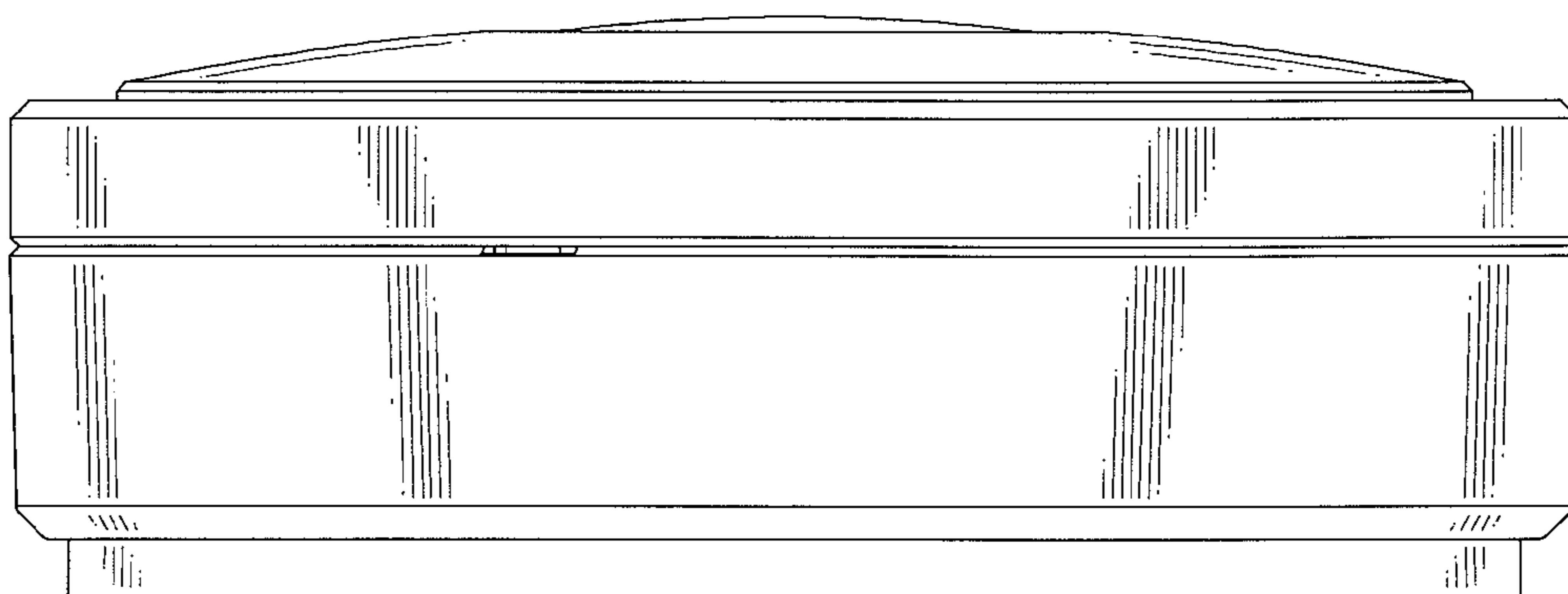


FIG. 3

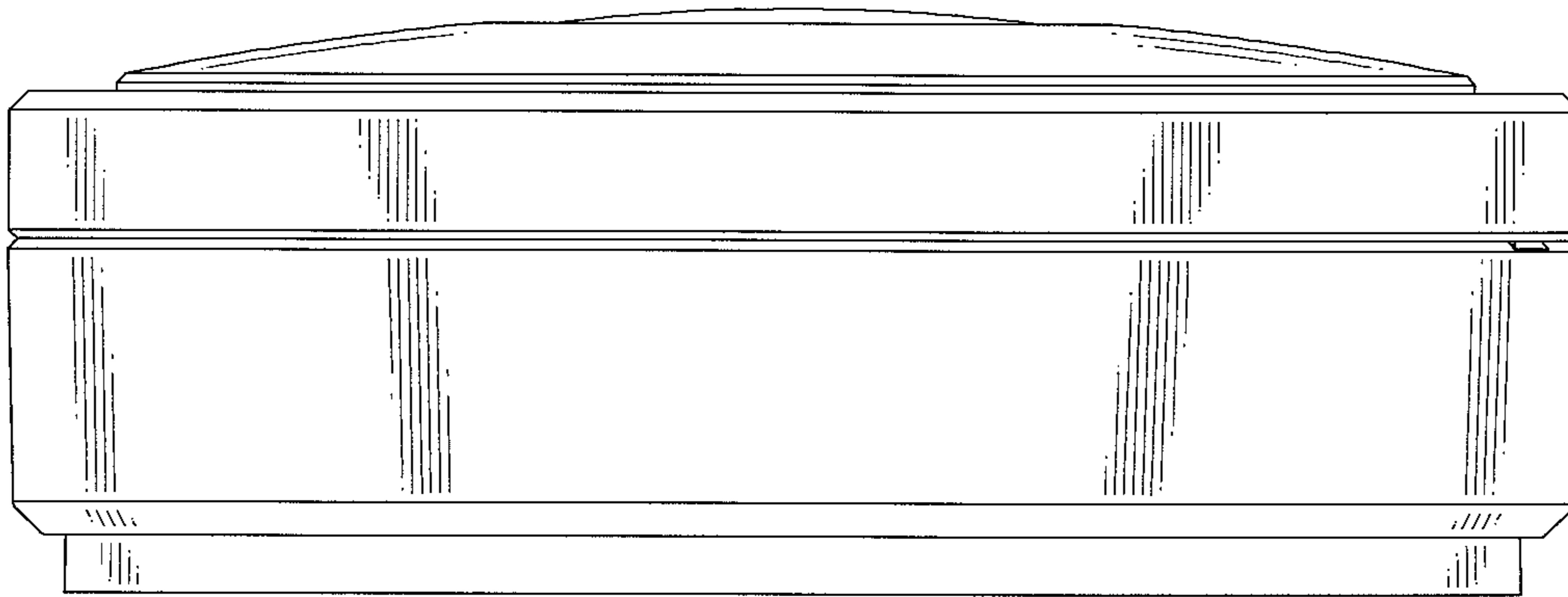


FIG. 4

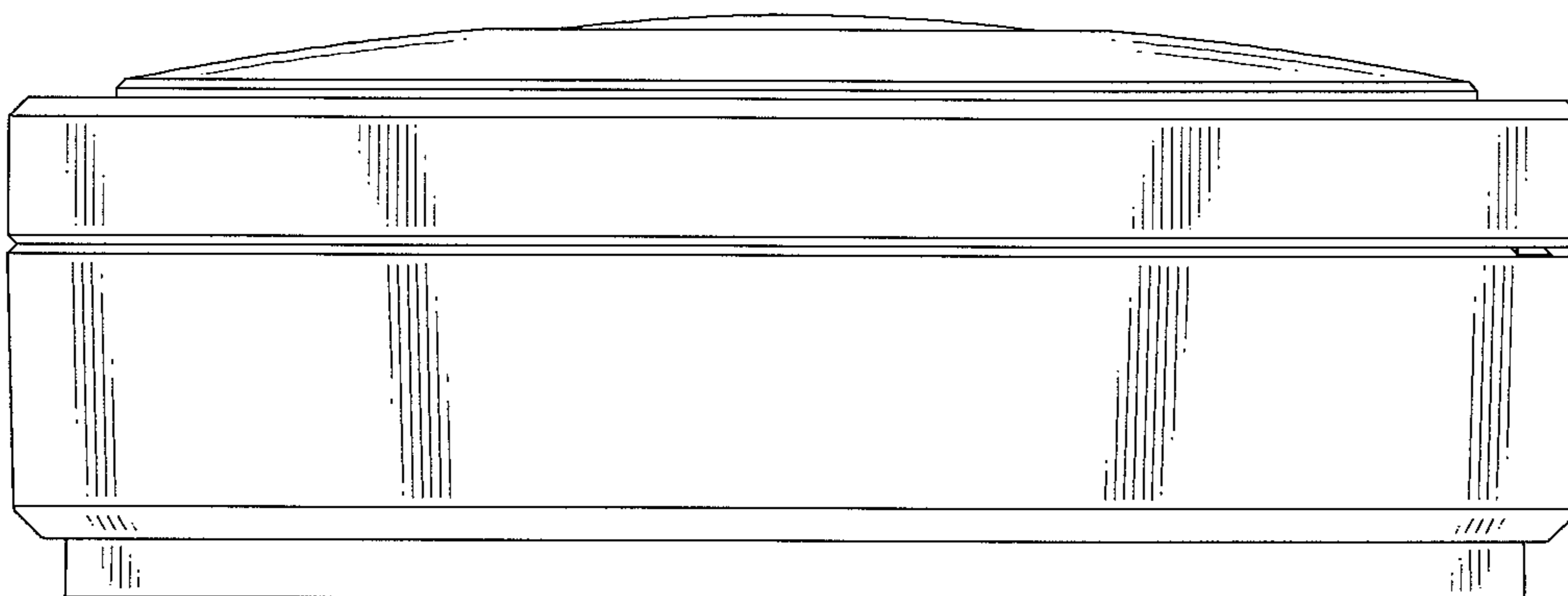


FIG. 5

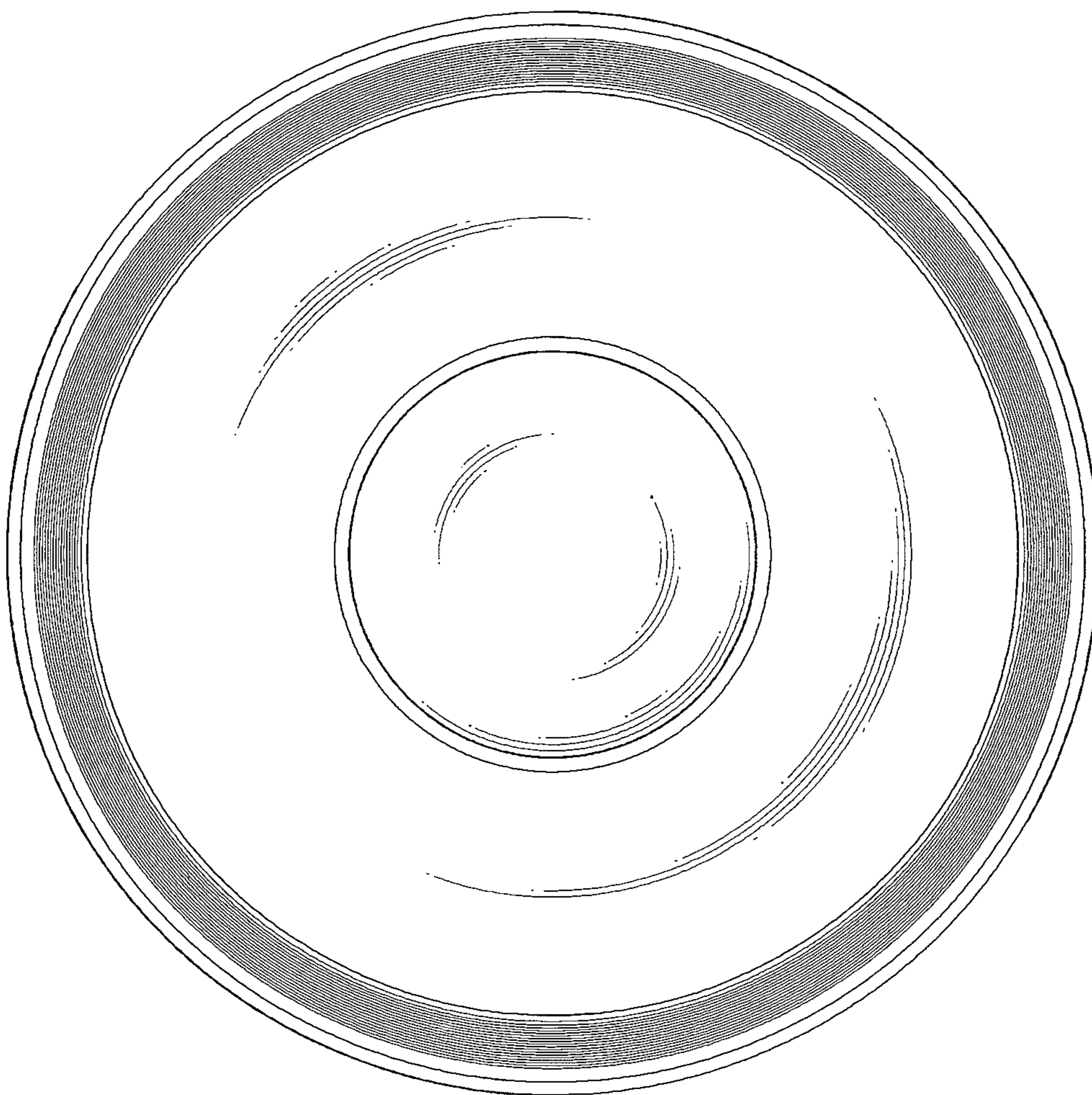


FIG. 6

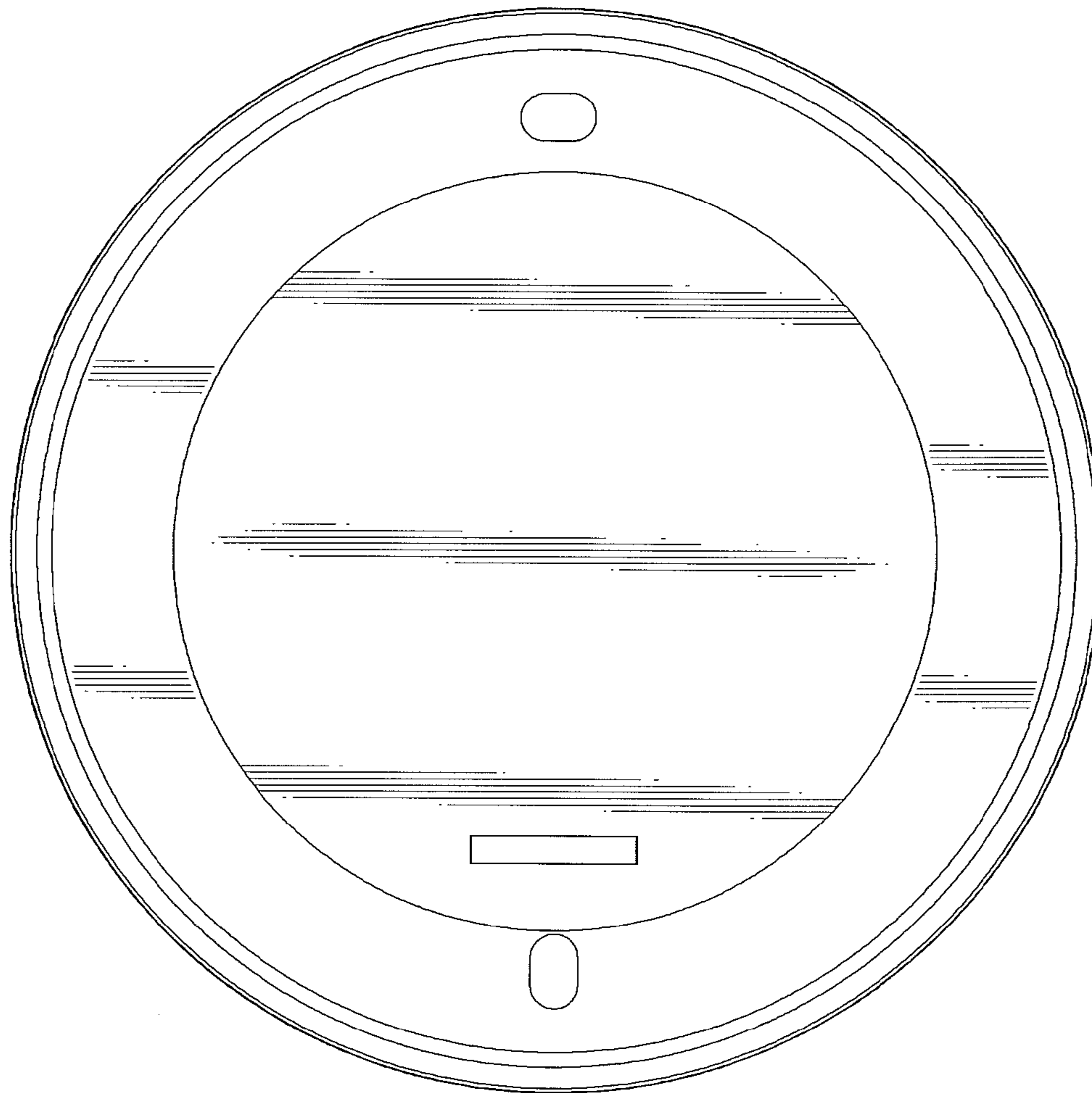


FIG. 7