



US00D764319S

(12) **United States Design Patent**
Bonadei et al.

(10) **Patent No.:** **US D764,319 S**
(45) **Date of Patent:** **** Aug. 23, 2016**

(54) **WATCHCASE**

(71) Applicant: **SWATCH LTD**, Biel/Bienne (CH)

(72) Inventors: **Silvano Bonadei**, Delémont (CH);
Damien Goyet, Winkel (FR); **Raphaël Waecker**, Sonvilier (CH); **Christophe Barbier**, Lignières (CH)

(73) Assignee: **SWATCH LTD**, Biel/Bienne (CH)

(**) Term: **14 Years**

(21) Appl. No.: **29/518,466**

(22) Filed: **Feb. 24, 2015**

(30) **Foreign Application Priority Data**

Sep. 12, 2014 (WO) DM/084 355

(51) **LOC (10) Cl.** **10-02**

(52) **U.S. Cl.**
USPC **D10/38; D10/128**

(58) **Field of Classification Search**
USPC D10/30-39, 1-29, 122-132
CPC G04B 19/00; G04B 19/18; G04B 19/283;
G04B 37/00; G04B 37/0008; G04B 37/0058;
G04B 37/1486; G04C 3/00; G04C 3/001;
G04G 9/00; G04G 9/06; G04G 17/00; G04G
17/08; G04G 17/083; G04G 99/00; G04G
99/006

See application file for complete search history.

(56) **References Cited**

U.S. PATENT DOCUMENTS

D331,884 S * 12/1992 Wunderman D10/32
5,455,808 A * 10/1995 Grupp G04G 9/06
368/228
D380,392 S * 7/1997 Kennedy D10/30
5,668,781 A * 9/1997 Jeannet G04C 17/0066
368/28
5,696,741 A * 12/1997 Nussbaum G04G 17/00
368/276

D405,017 S * 2/1999 Hysek D10/32
D413,815 S * 9/1999 Hysek D10/30
D450,599 S * 11/2001 Blauner D10/30
D455,082 S * 4/2002 Kubo D10/32
D457,818 S * 5/2002 Avranches D10/39
D476,906 S * 7/2003 Nussbaum D10/30
6,590,835 B2 * 7/2003 Farine G04G 17/083
368/10
6,809,993 B1 * 10/2004 Muller G04G 99/00
368/238
6,874,931 B2 * 4/2005 Noirjean A44C 5/0007
368/204
6,982,930 B1 * 1/2006 Hung A61B 5/02438
368/10
D537,740 S * 3/2007 Grosjean D10/38
D551,991 S * 10/2007 Ohki D10/32
D559,125 S * 1/2008 Figueiredo D10/38
D559,126 S * 1/2008 Avranches D10/38
D636,685 S * 4/2011 Avranches D10/38

(Continued)

OTHER PUBLICATIONS

U.S. Appl. No. 29/518,175, filed Feb. 20, 2015 for Watchcase first named inventor Silvano Bonadei.

(Continued)

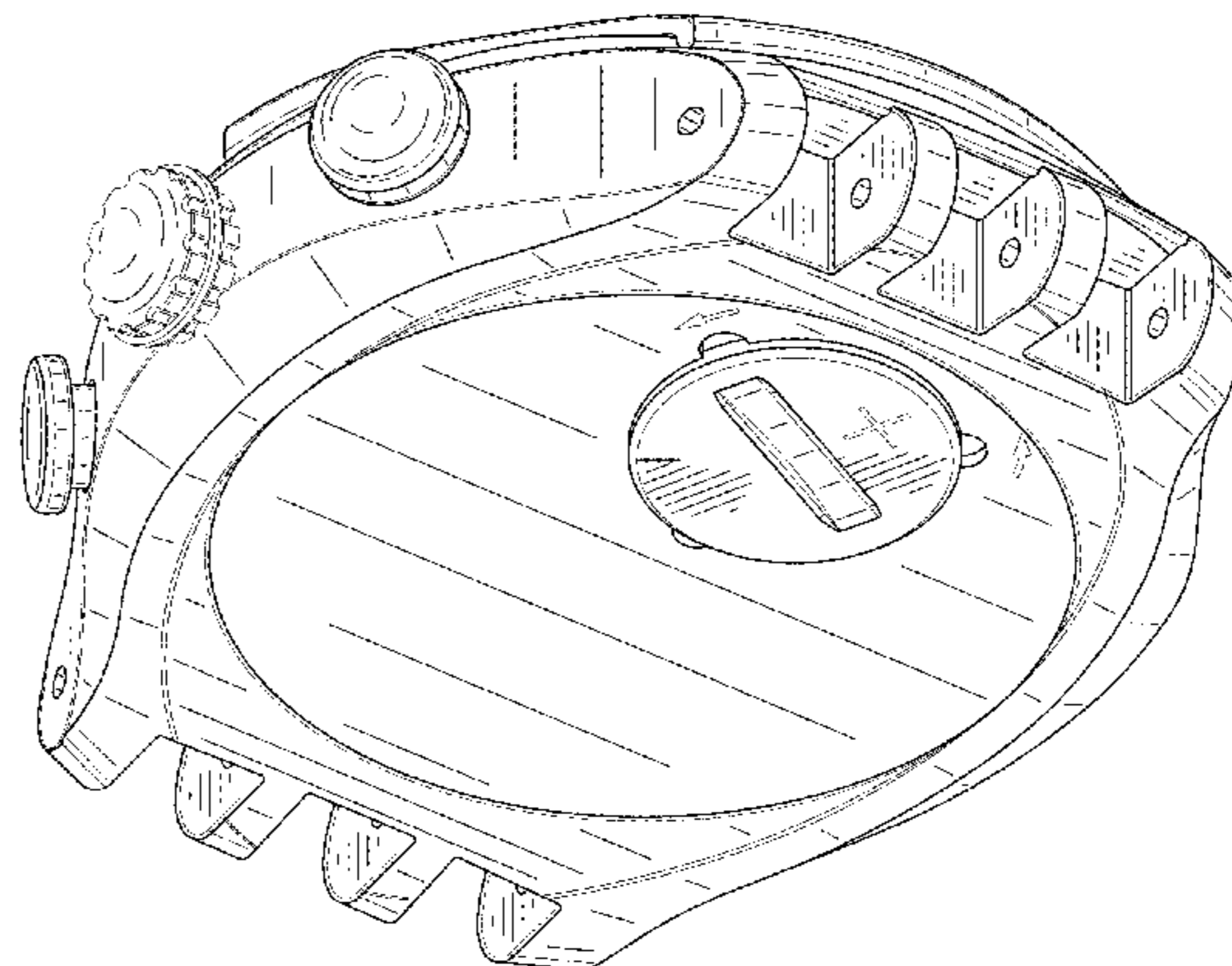
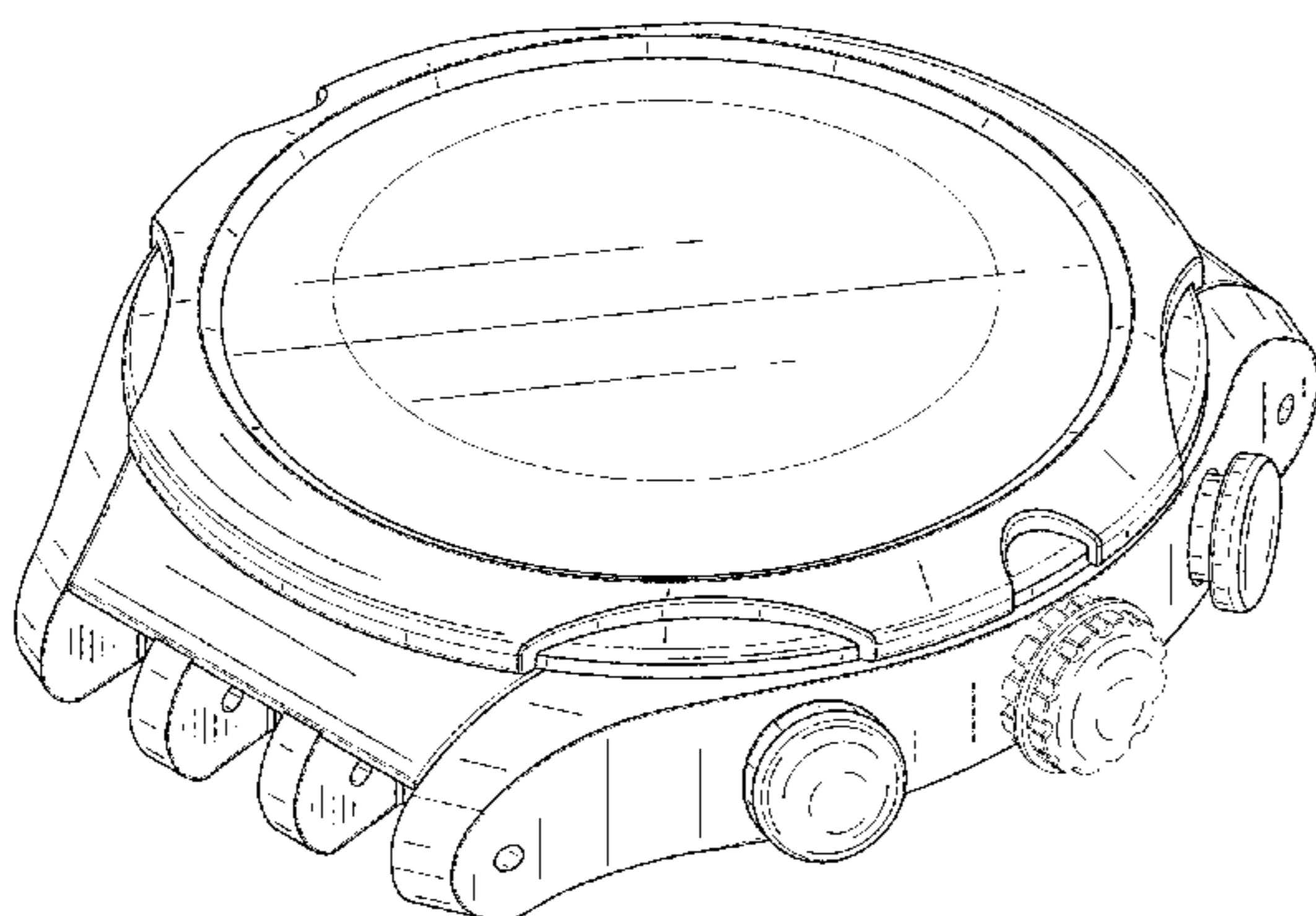
Primary Examiner — Martie K Holtje
(74) *Attorney, Agent, or Firm* — Donald J. Ranft; Kristen A. Mogavero; Collen IP

(57) **CLAIM**
The ornamental design for a watchcase, as shown.

DESCRIPTION

FIG. 1 is a front right perspective view of a watchcase showing our new design;
FIG. 2 is a rear right perspective view thereof;
FIG. 3 is a front view thereof;
FIG. 4 is a rear view thereof;
FIG. 5 is a left side view thereof;
FIG. 6 is a right side view thereof;
FIG. 7 is a bottom view thereof; and,
FIG. 8 is a top view thereof.

1 Claim, 6 Drawing Sheets



(56)

References Cited

OTHER PUBLICATIONS

U.S. PATENT DOCUMENTS

8,235,587 B2 * 8/2012 Hiranuma G04B 3/043
368/295
D692,777 S * 11/2013 Goyet D10/38
D700,072 S * 2/2014 Arellano D10/38

U.S. Appl. No. 29/518,463, filed Feb. 24, 2015 for Watchcase first
named inventor Silvano Bonadei.

* cited by examiner

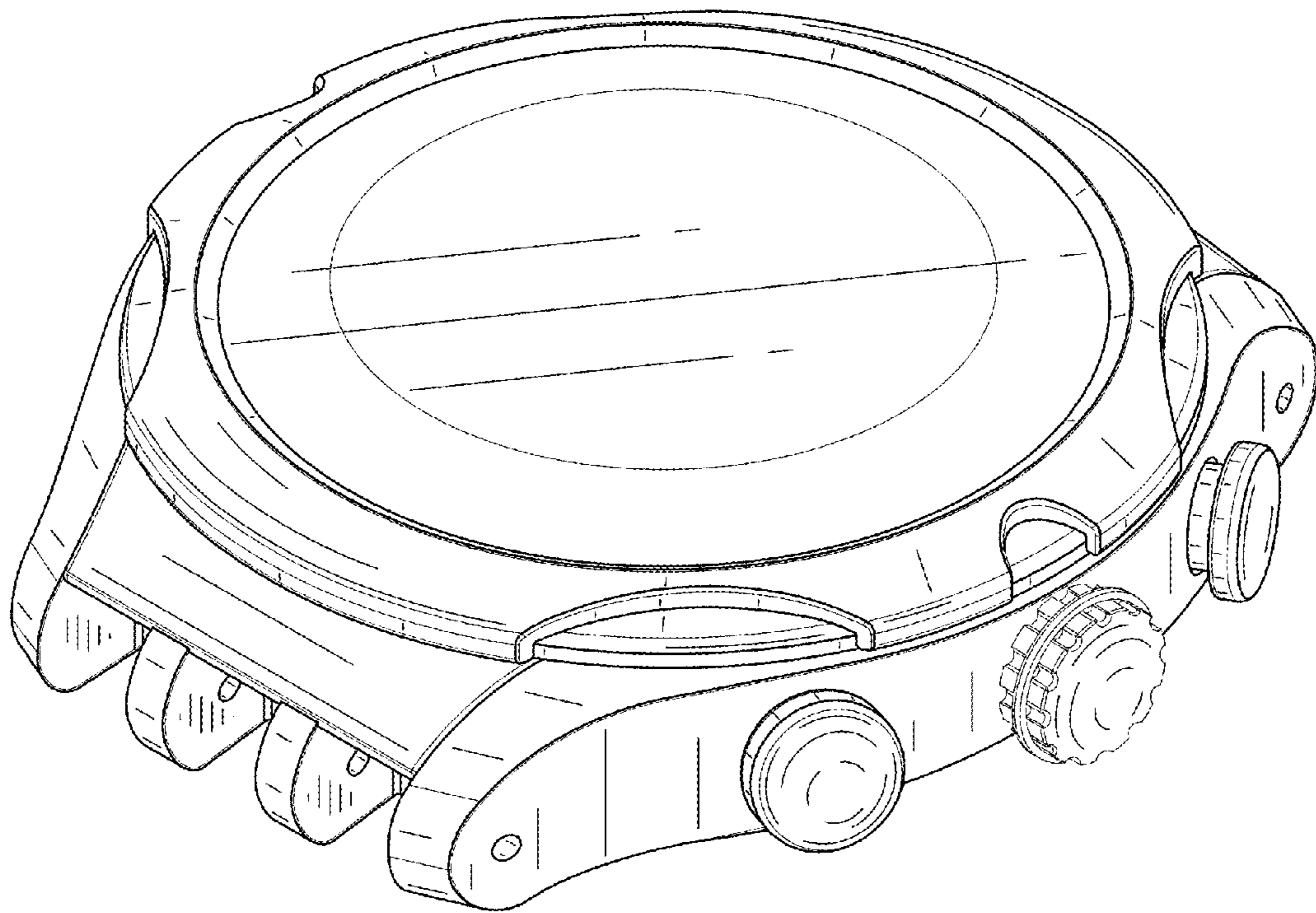


FIG. 1

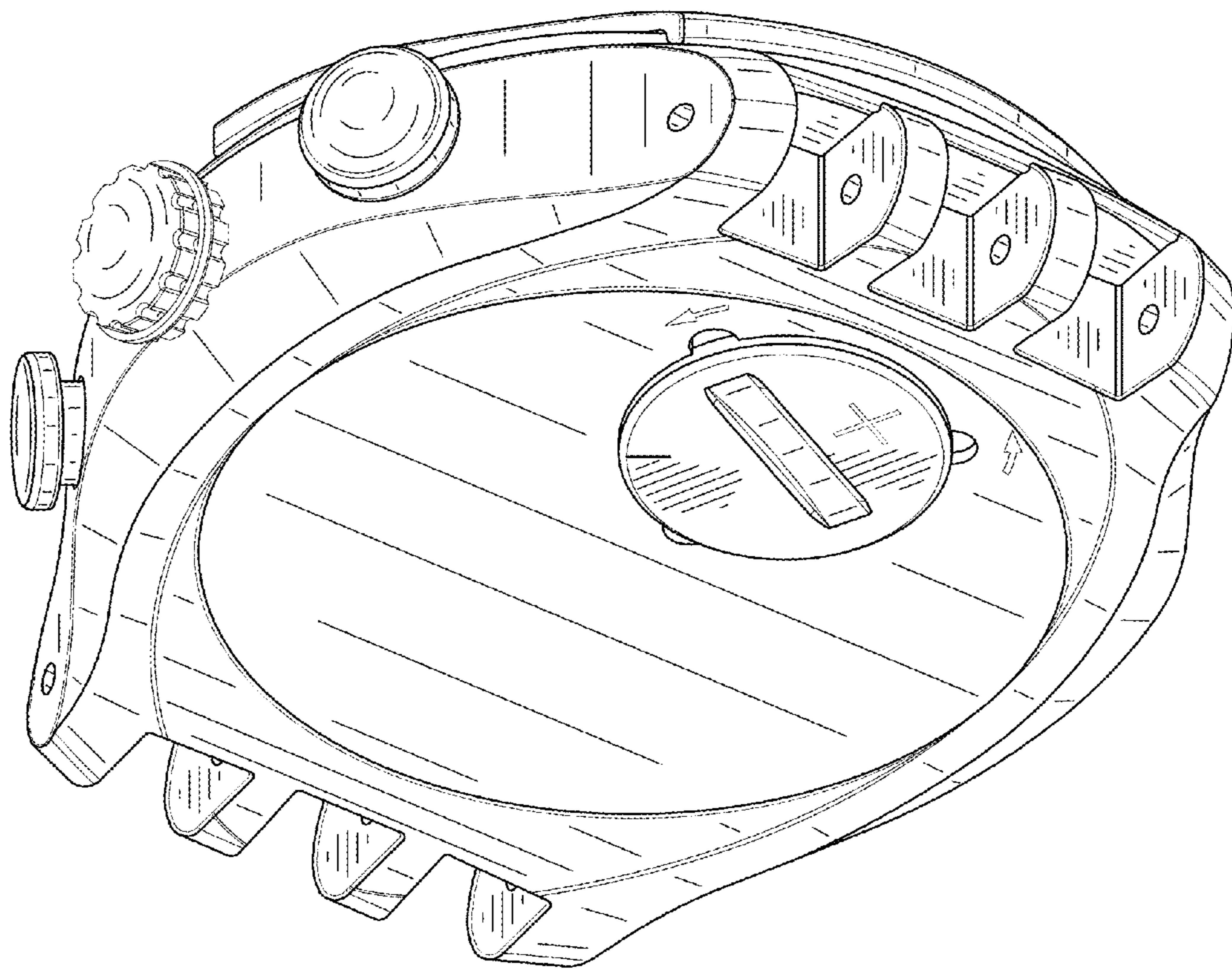


FIG. 2

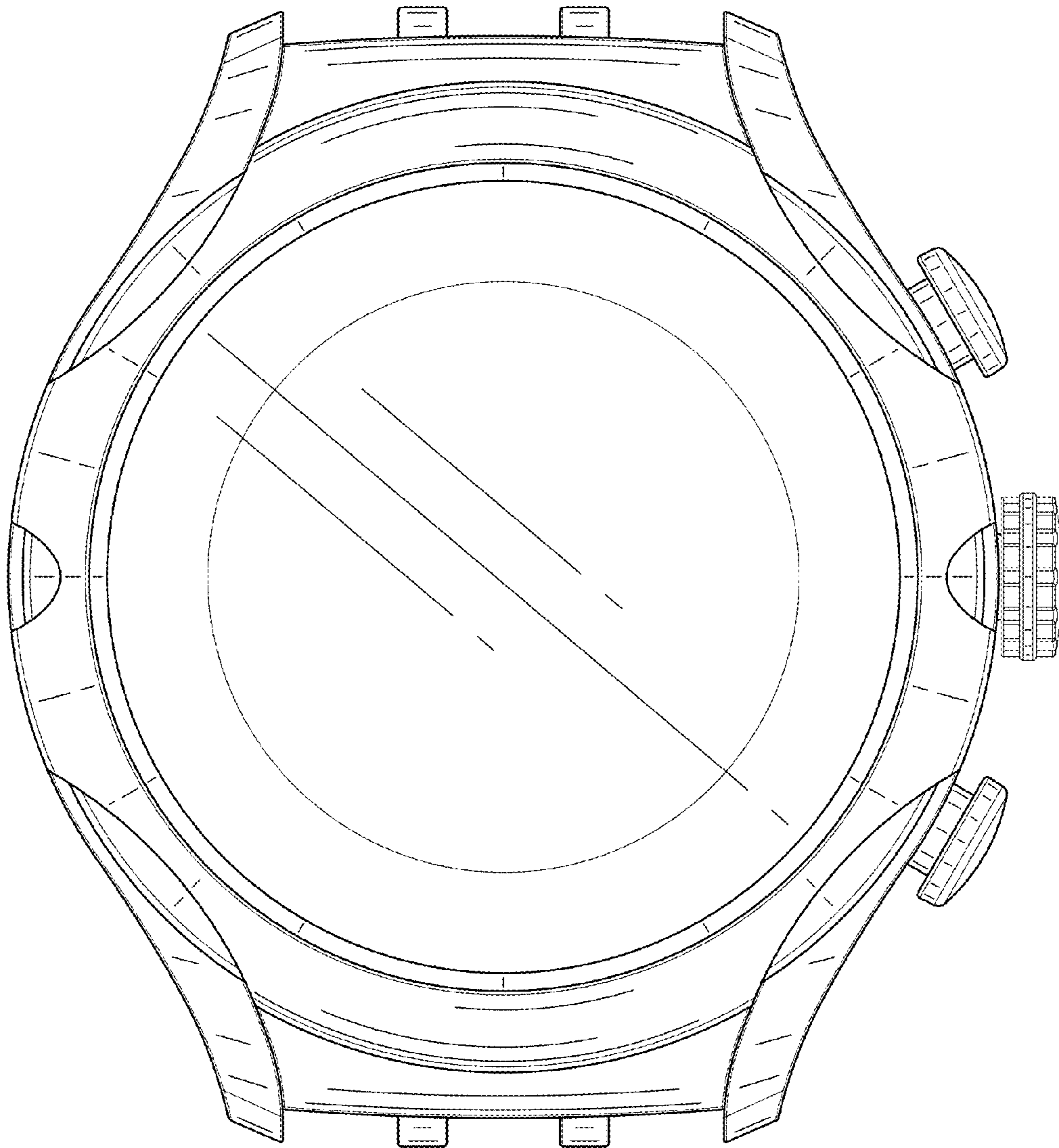


FIG. 3

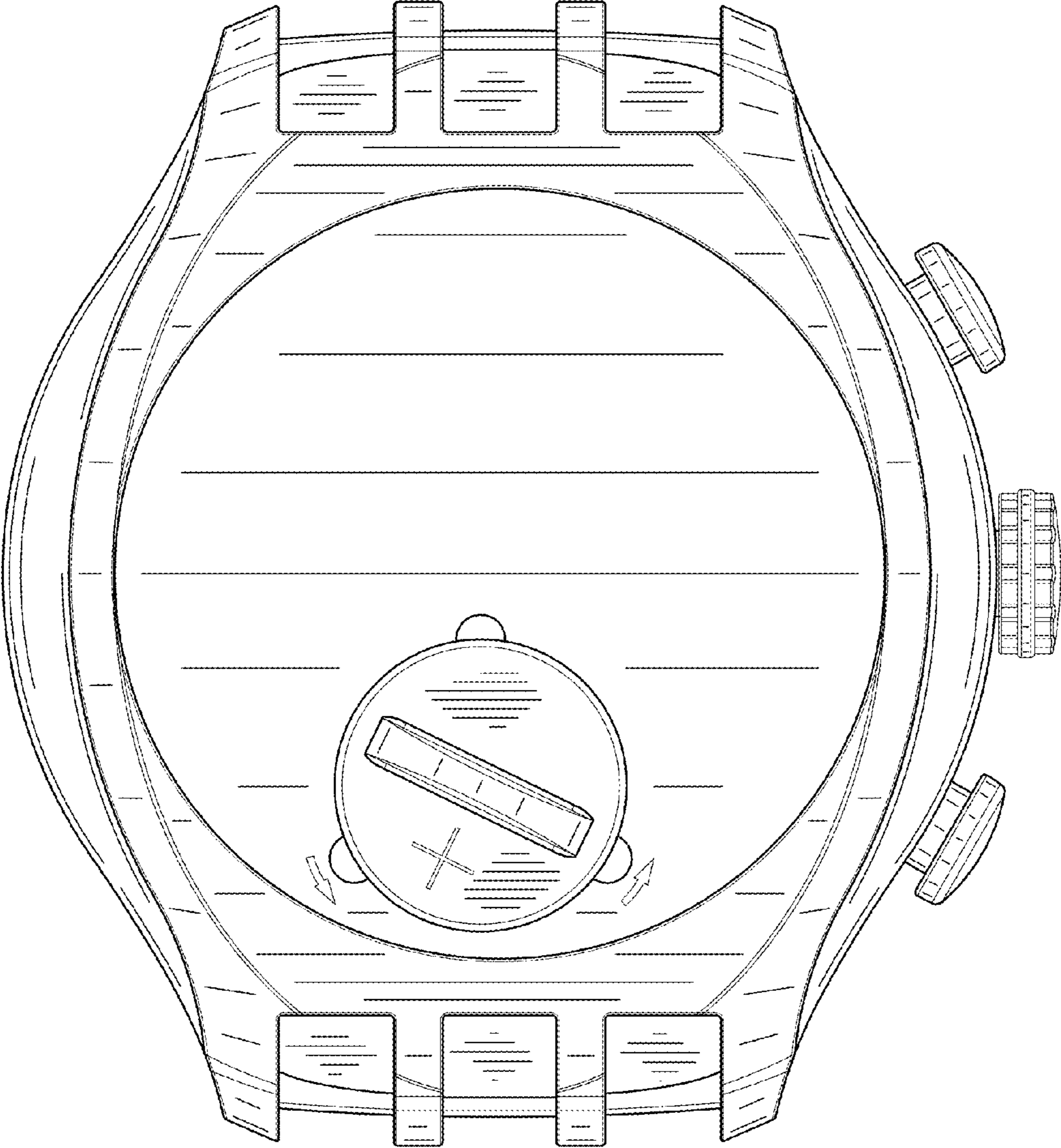


FIG. 4

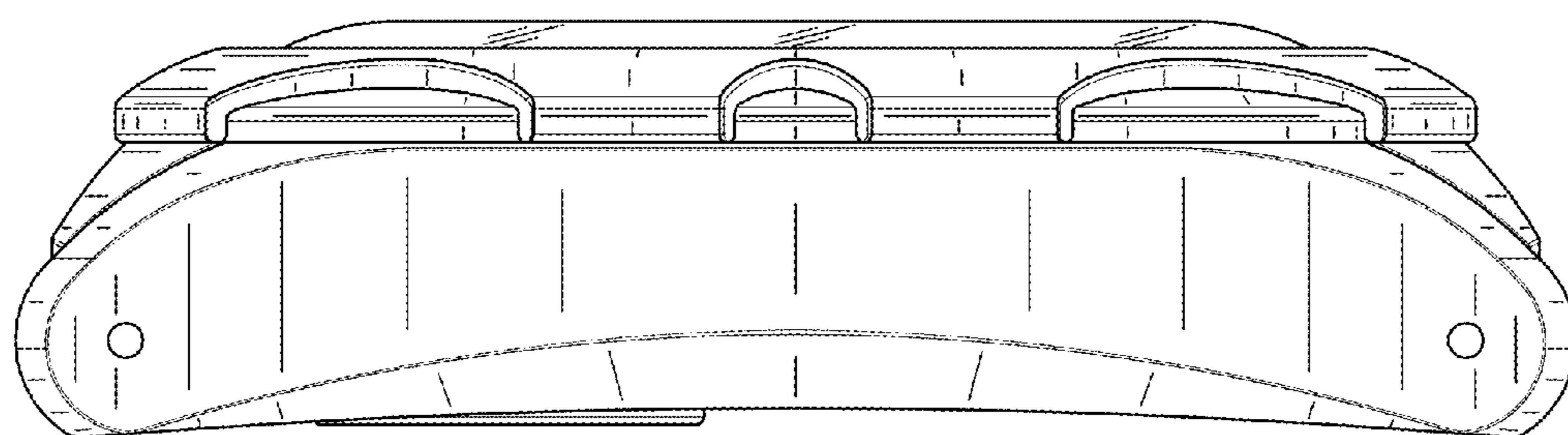


FIG. 5

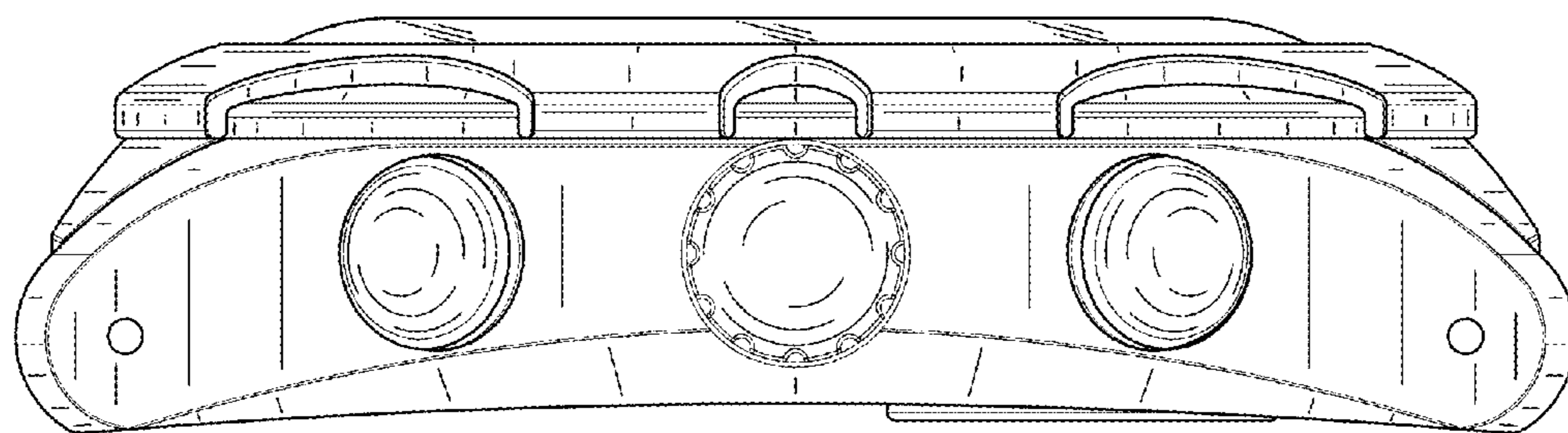


FIG. 6

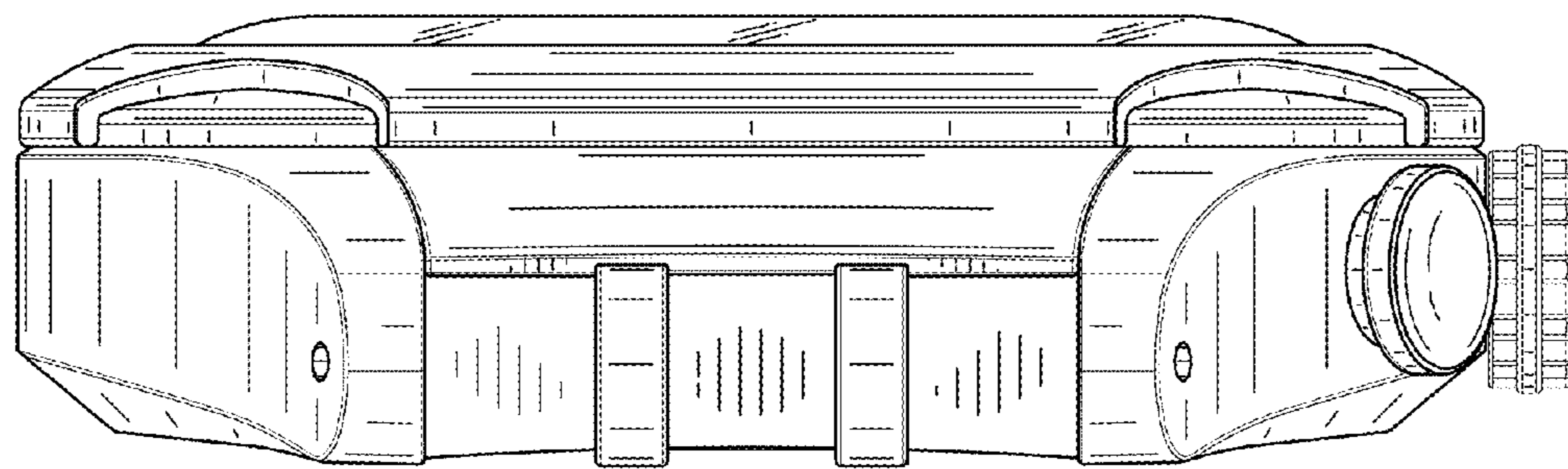


FIG. 7

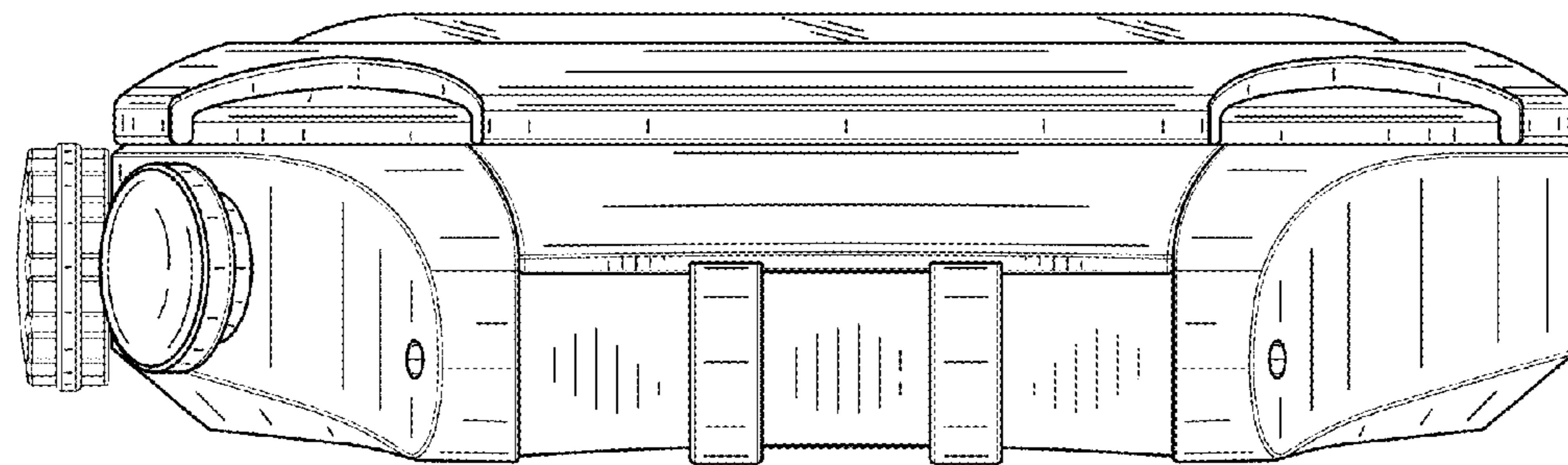


FIG. 8