

US00D764317S

(12) **United States Design Patent**
Martinez

(10) **Patent No.:** **US D764,317 S**
(45) **Date of Patent:** **** Aug. 23, 2016**

(54) **FOOD CONTAINER**

(71) Applicant: **Innit Eco-Packaging Inc.**, Chicago, IL (US)

(72) Inventor: **Aranzasu Bermudez Martinez**, Chicago, IL (US)

(73) Assignee: **Innit Eco-Packaging Inc.**, Chicago, IL (US)

(**) Term: **14 Years**

(21) Appl. No.: **29/521,342**

(22) Filed: **Mar. 23, 2015**

(51) **LOC (10) Cl.** **09-03**

(52) **U.S. Cl.**
USPC **D9/761**

(58) **Field of Classification Search**

USPC D9/424-432, 414-423, 737, 759, 761;
D7/672, 601, 550.1, 551.1, 551.2,
D7/551.3, 552.1, 552.2, 553.1, 553.2,
D7/553.3, 553.4, 553.5, 553.7, 553.8,
D7/554.1, 554.3, 554.4, 555, 557, 602,
D7/629, 630, 538-542, 612-615, 584, 586,
D7/587, 392.1, 709, 502, 608, 622;
D3/273, 201-206, 276, 283, 284, 295,
D3/274, 302; 229/107, 406, 120, 125.17;
220/669-673, 675, 574-575, 573.1,
220/4.21, 660, 326, 236, 780-795,
220/796-806, 4.24, 288, 260, 266, 306,
220/352, 356, 523; 190/109, 110; 426/106;
206/216, 217, 541-550, 223, 467
CPC A61B 2050/3007; B65D 1/36; B65D
21/0206; B65D 2543/00175; B65D
2543/00296; B65D 2543/00657

See application file for complete search history.

(56) **References Cited**

U.S. PATENT DOCUMENTS

D204,147 S * 3/1966 Ward, Jr. D7/541
D260,604 S * 9/1981 Otto D7/541

(Continued)

OTHER PUBLICATIONS

3-Compartment Food Container with Lid, available Mar. 9, 2015, [online], [site visited Mar. 14, 2016]. Available from internet, <URL:

http://www.amazon.com/3-compartment-Container-Collapsible-Dishwasher-Safe-green/dp/B00SG8661l/ref=wr_it_dp_v_nS_nC?ie=UTF8&colid=3D9RUK3O7B5U8&coliid=I3VHVFWAN6LLRN.*

(Continued)

Primary Examiner — Cathron Brooks

Assistant Examiner — Teddy Falloway

(74) *Attorney, Agent, or Firm* — Lempia Summerfield Katz LLC

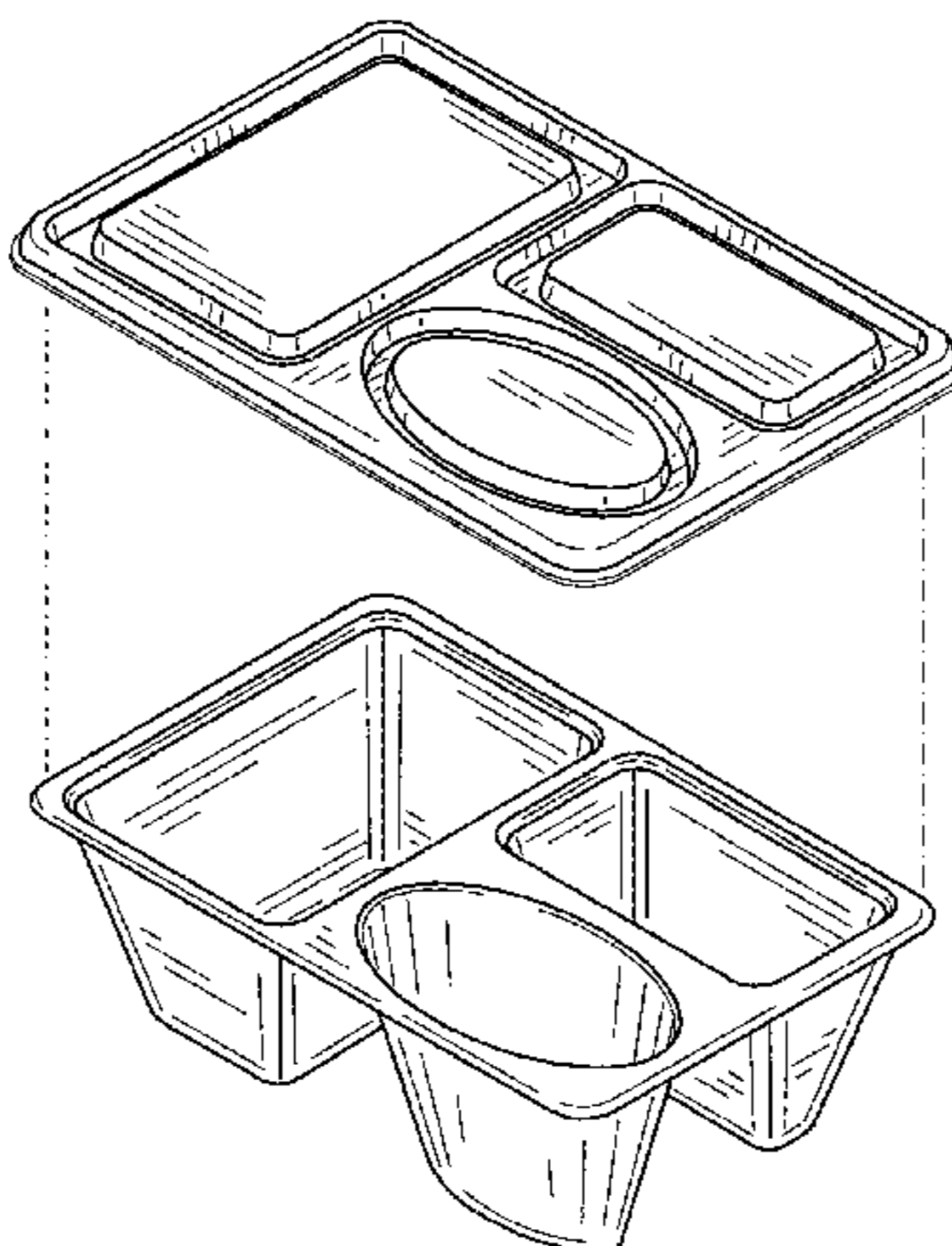
(57) **CLAIM**

The ornamental design for a food container, as shown and described.

DESCRIPTION

FIG. 1 is a top, front, and right side perspective view of my new design for a food container;
FIG. 2 is a top view thereof;
FIG. 3 is a bottom view thereof;
FIG. 4 is a right side view thereof;
FIG. 5 is a left side view thereof;
FIG. 6 is a front view thereof;
FIG. 7 is a rear view thereof;
FIG. 8 is a top, front, and right side exploded view thereof;
FIG. 9 is a top, front, and right side perspective view of the lid of the food container shown in FIG. 1, shown separately for completeness of illustration;
FIG. 10 is a top view thereof;
FIG. 11 is a bottom view thereof;
FIG. 12 is a right side view thereof;
FIG. 13 is a left side view thereof;
FIG. 14 is a front view thereof;
FIG. 15 is a rear view thereof;
FIG. 16 is a top, front, and right side perspective view of the base of the food container shown in FIG. 1, shown separately for completeness of illustration;
FIG. 17 is a top view thereof;
FIG. 18 is a bottom view thereof;
FIG. 19 is a right side view thereof;
FIG. 20 is a left side view thereof;
FIG. 21 is a front view thereof; and,
FIG. 22 is a rear view thereof.

1 Claim, 10 Drawing Sheets



(56)

References Cited

U.S. PATENT DOCUMENTS

D280,060 S * 8/1985 Holzkopf D7/553.2
 D297,797 S * 9/1988 Roberts D7/504
 D308,485 S * 6/1990 Yeske D9/415
 D352,203 S * 11/1994 Campbell D7/546
 D376,953 S * 12/1996 Dunn D7/549
 D378,726 S * 4/1997 Dunn D7/549
 5,690,245 A * 11/1997 Jenkins B65D 71/00
 220/23.4
 D394,001 S * 5/1998 Vilos D9/424
 6,039,495 A * 3/2000 Zimmerman B42F 13/40
 206/461
 D451,769 S * 12/2001 Stanos D7/629
 D463,977 S * 10/2002 Castellanos D9/425
 D494,857 S * 8/2004 Chen D9/424
 D504,326 S * 4/2005 Vovan D9/425
 D515,880 S * 2/2006 Lerner D7/629
 7,114,630 B2 * 10/2006 Dege B65D 1/36
 220/523

D538,102 S * 3/2007 Dege D7/392.1
 D586,623 S * 2/2009 Dunn D7/541
 D615,822 S * 5/2010 Klein D7/392.1
 D665,675 S * 8/2012 Wu D7/629
 D669,742 S * 10/2012 Cohen D7/629
 D696,910 S * 1/2014 Franczyk D7/629
 D698,667 S * 2/2014 Snedden D9/425
 2012/0024864 A1 * 2/2012 Champ 220/523

OTHER PUBLICATIONS

3-Compartment Lunch Container, available Nov. 5, 2015, [online], [site visited Mar. 14, 2016]. Available from internet, <URL: <http://www.walmart.com/ip/NFL-Dallas-Cowboys-3-Compartment-Lunch-Container-2pk/35117711>>.*
 3-Compartment Bento Container, available May 30, 2011, [online], [site visited Mar. 14, 2016]. Available from internet, <URL: <http://www.amazon.com/EasyLunchboxes-3-Compartment-Bento-Containers-Classic/dp/B004S129AQ>>.*

* cited by examiner

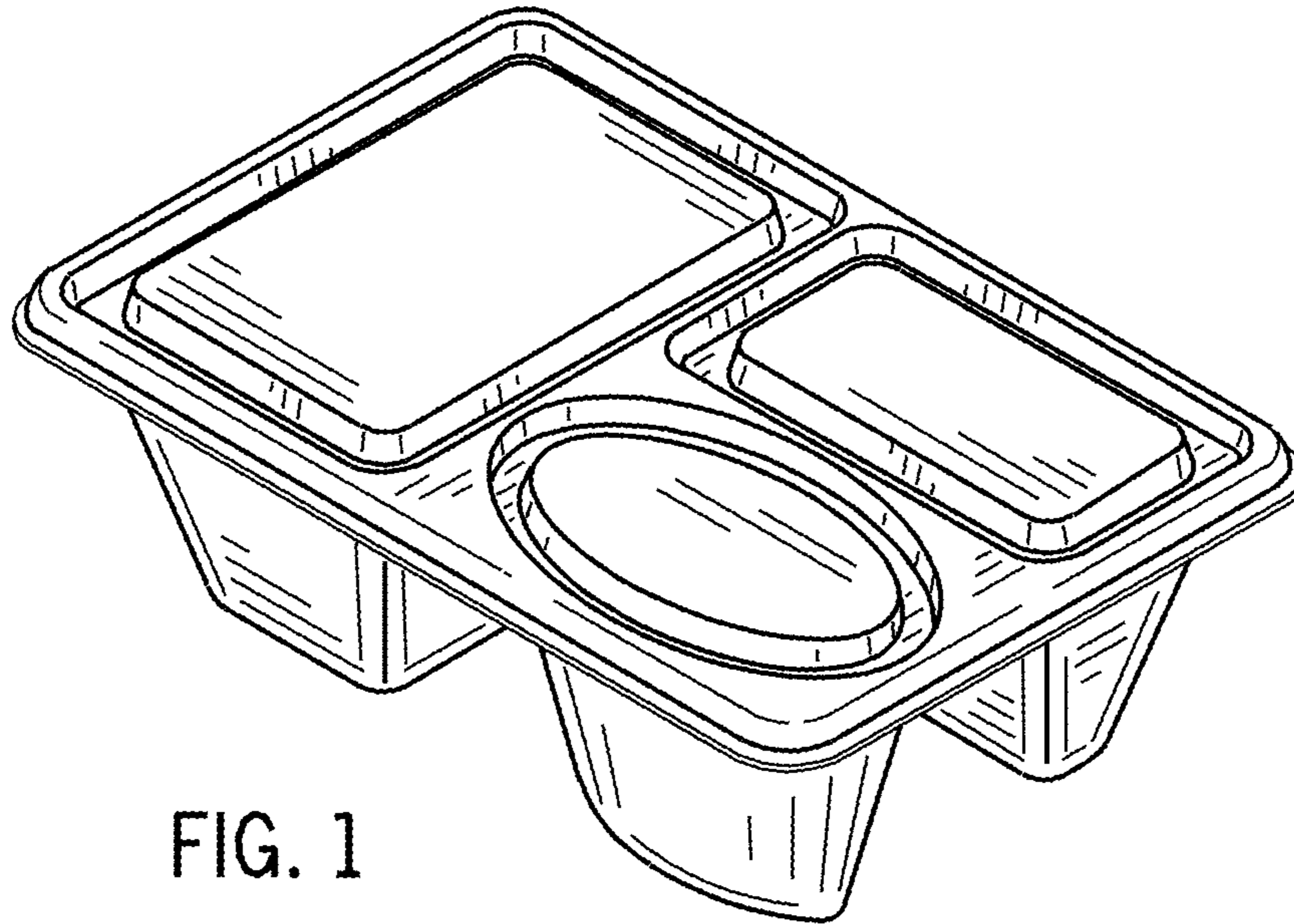


FIG. 1

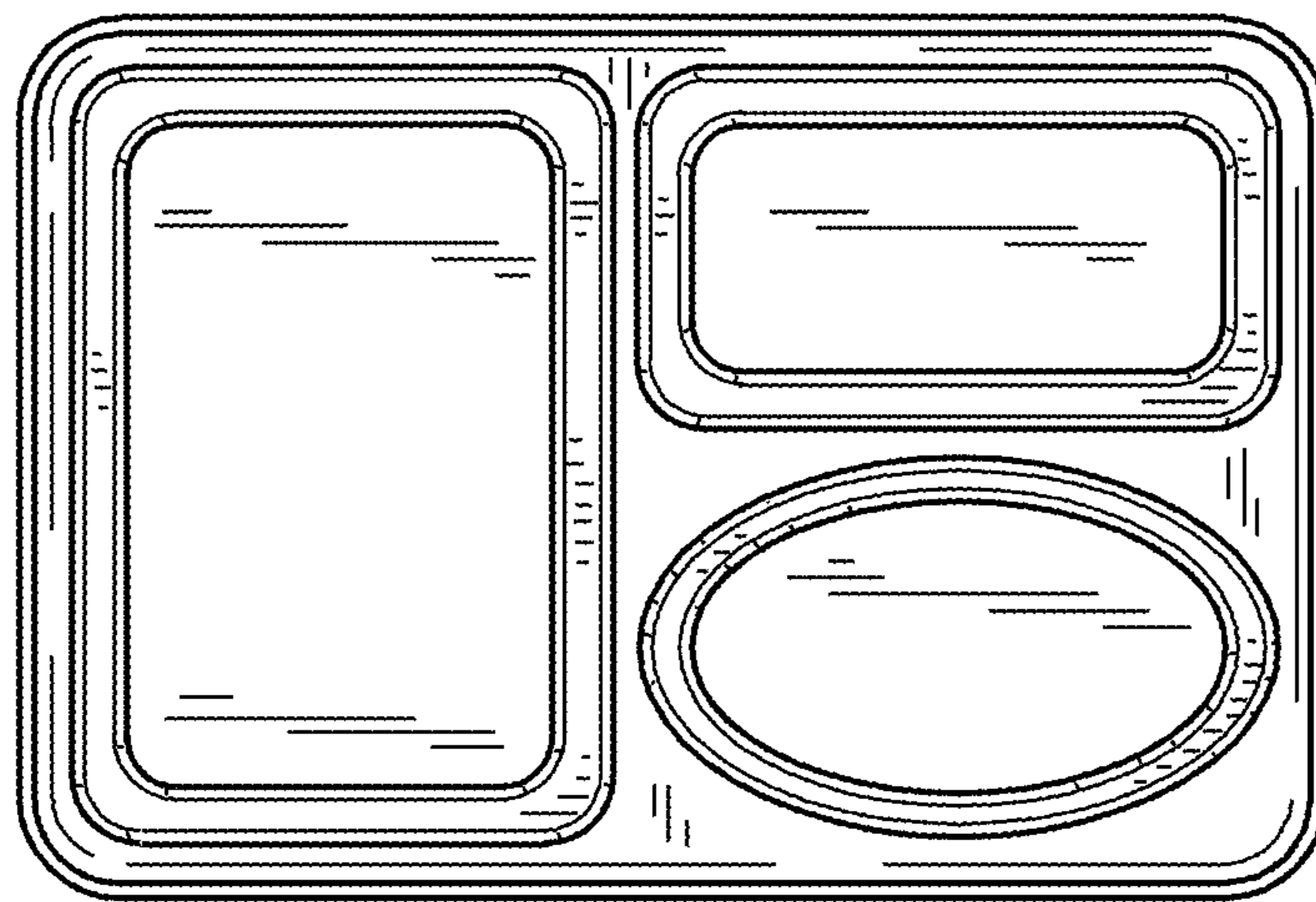


FIG. 2

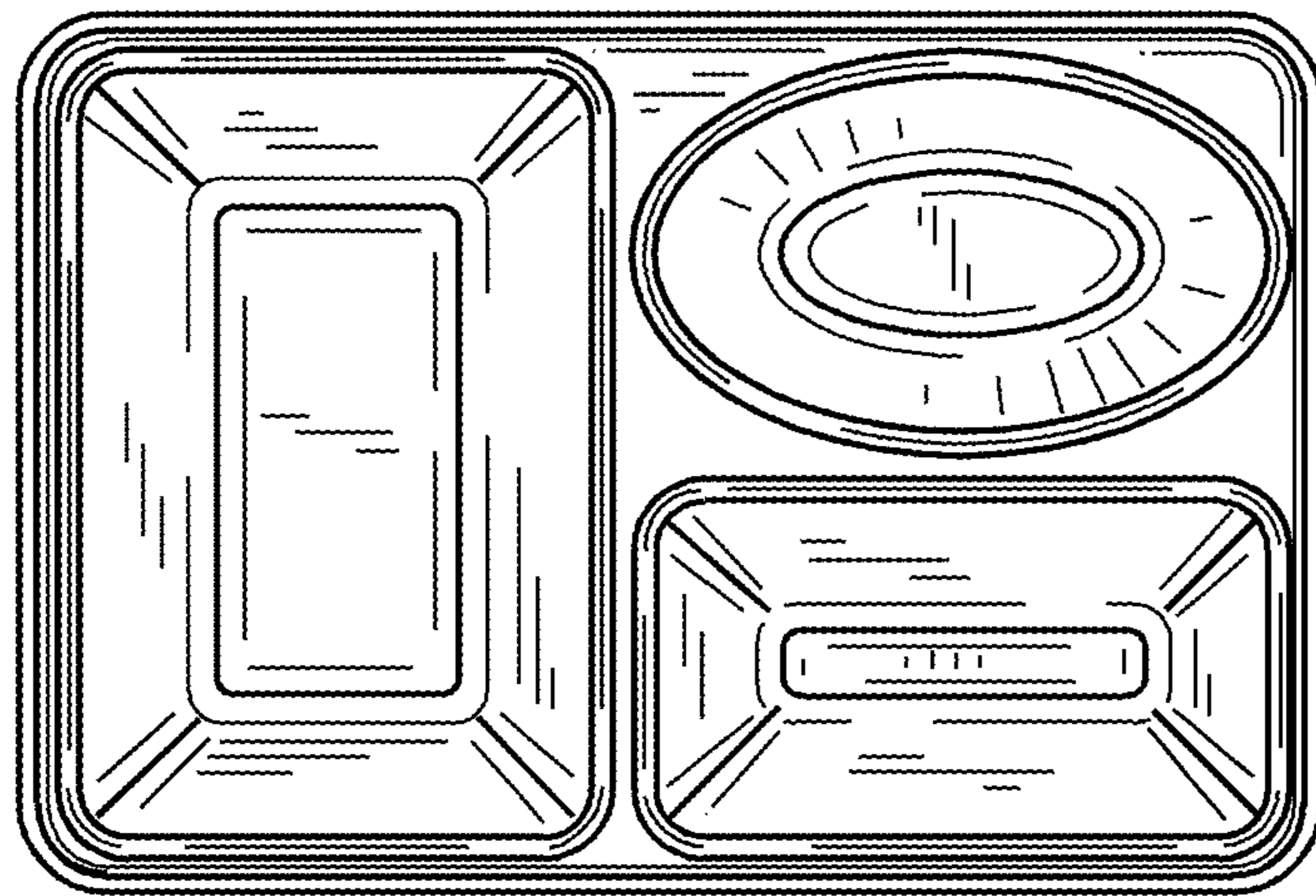


FIG. 3

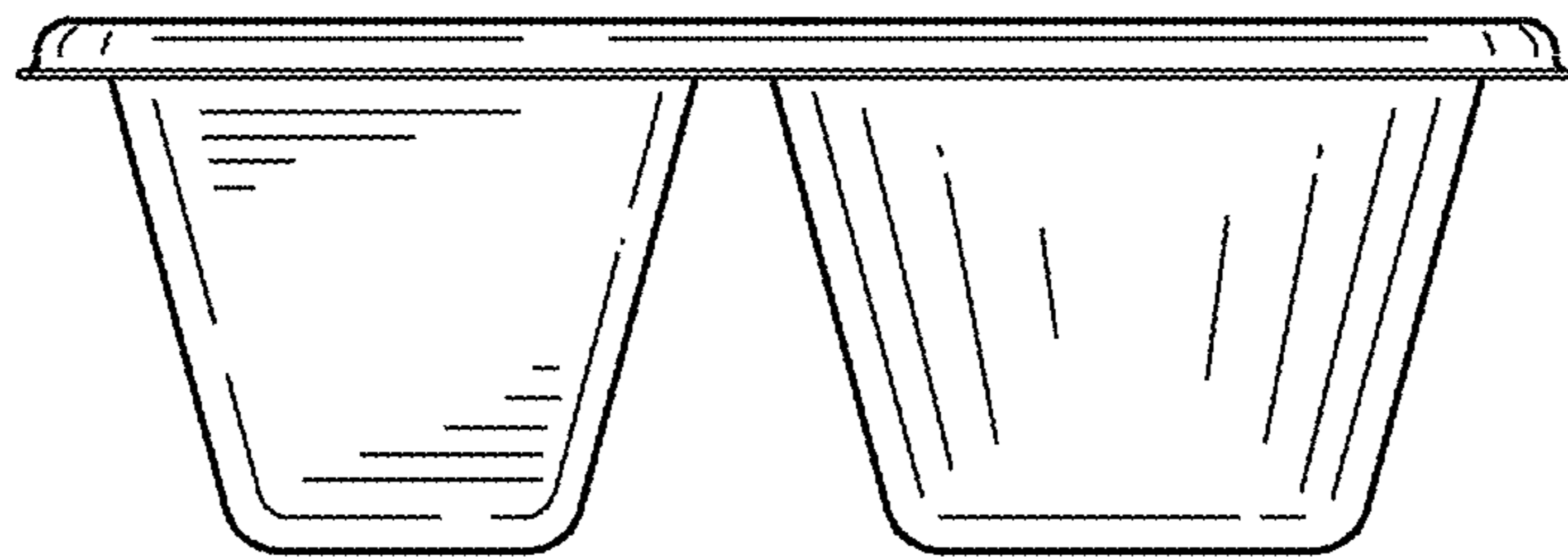


FIG. 4

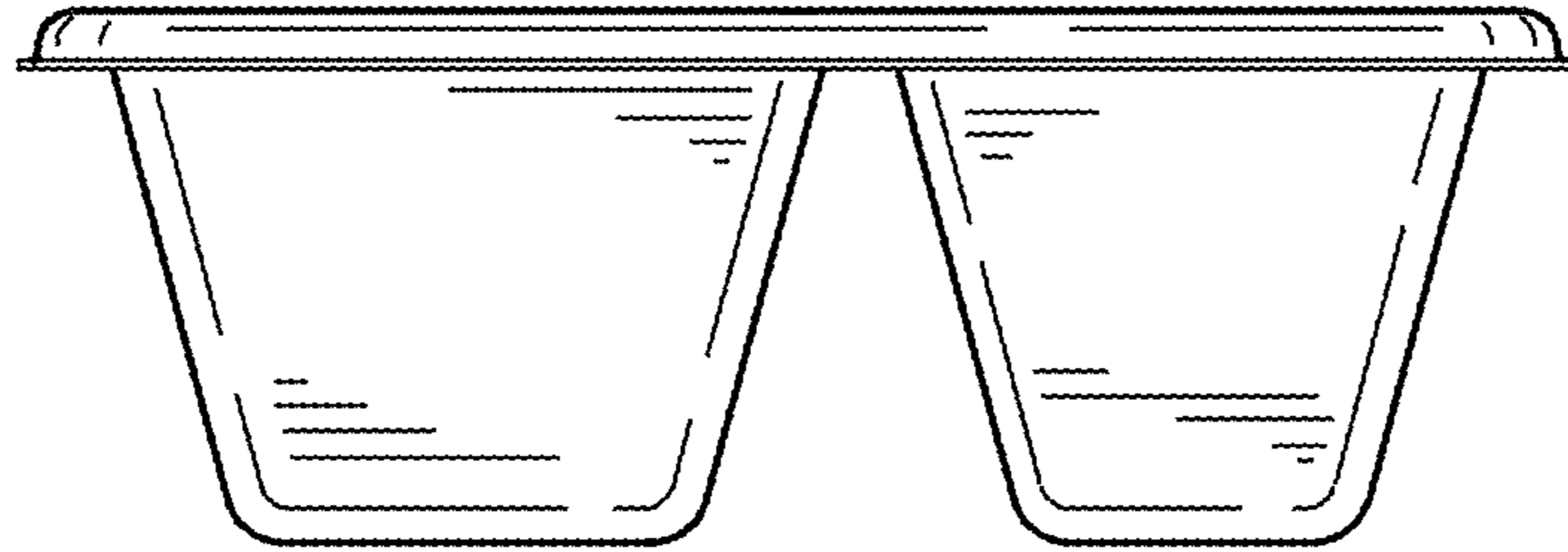


FIG. 5

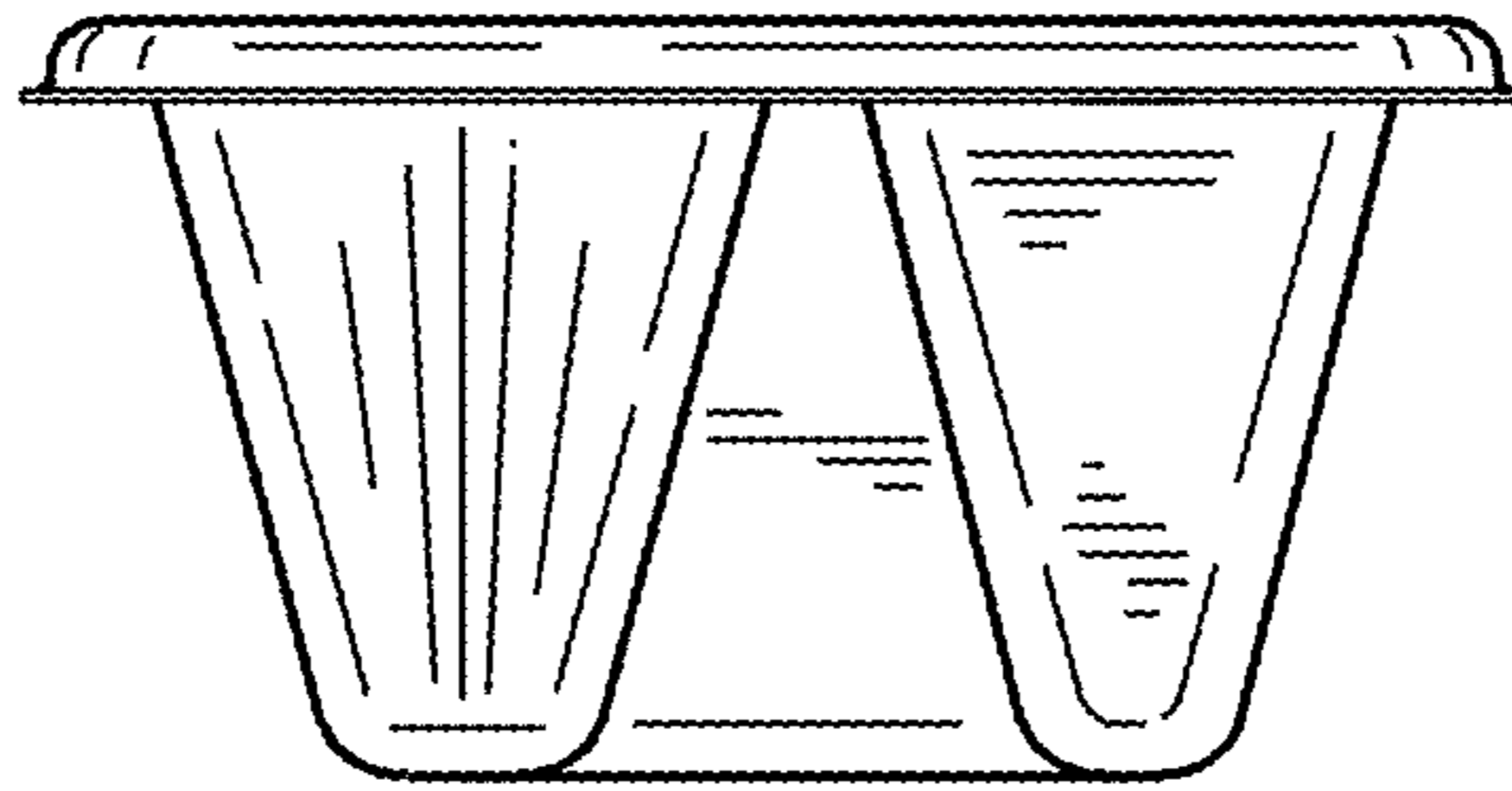


FIG. 6



FIG. 7

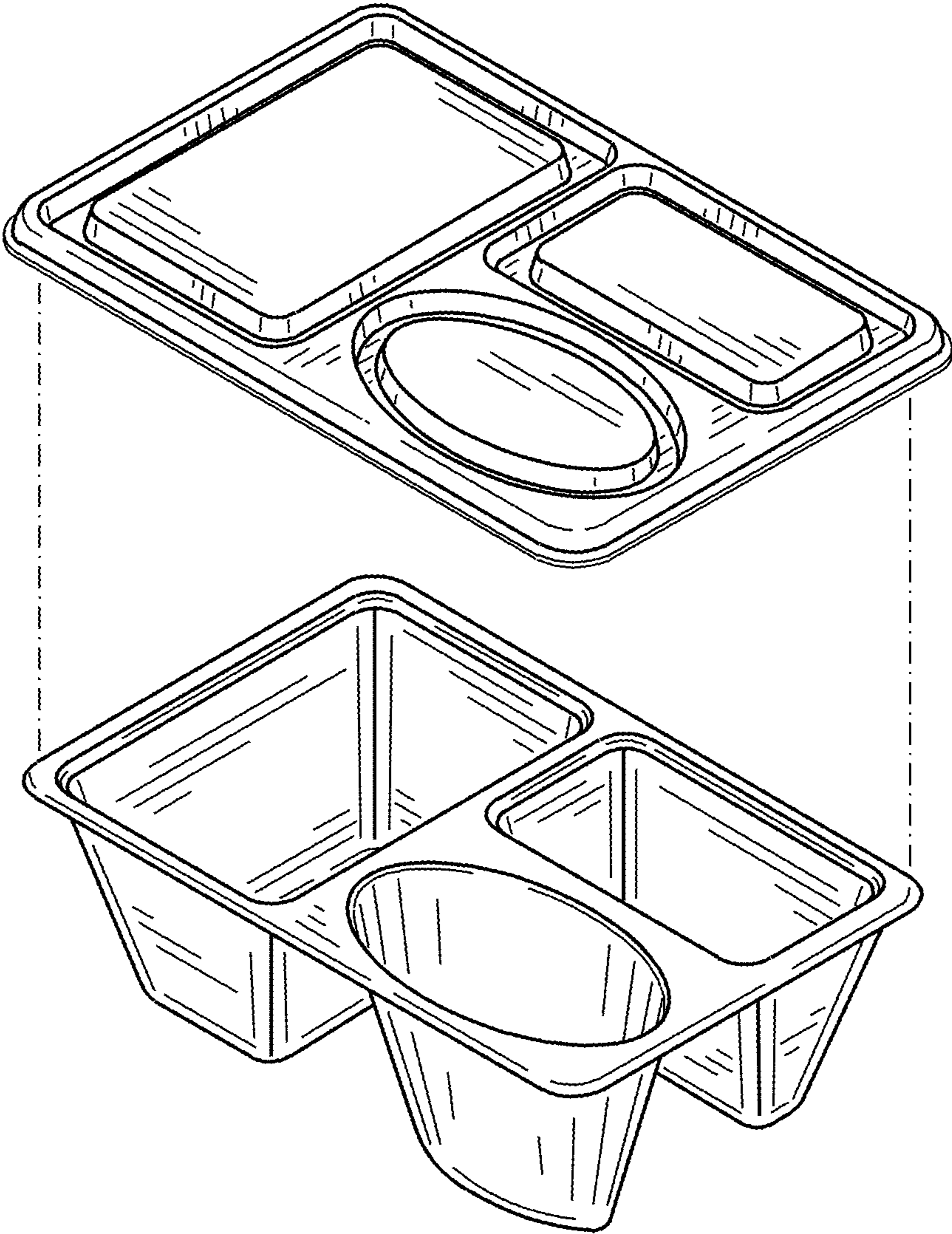


FIG. 8

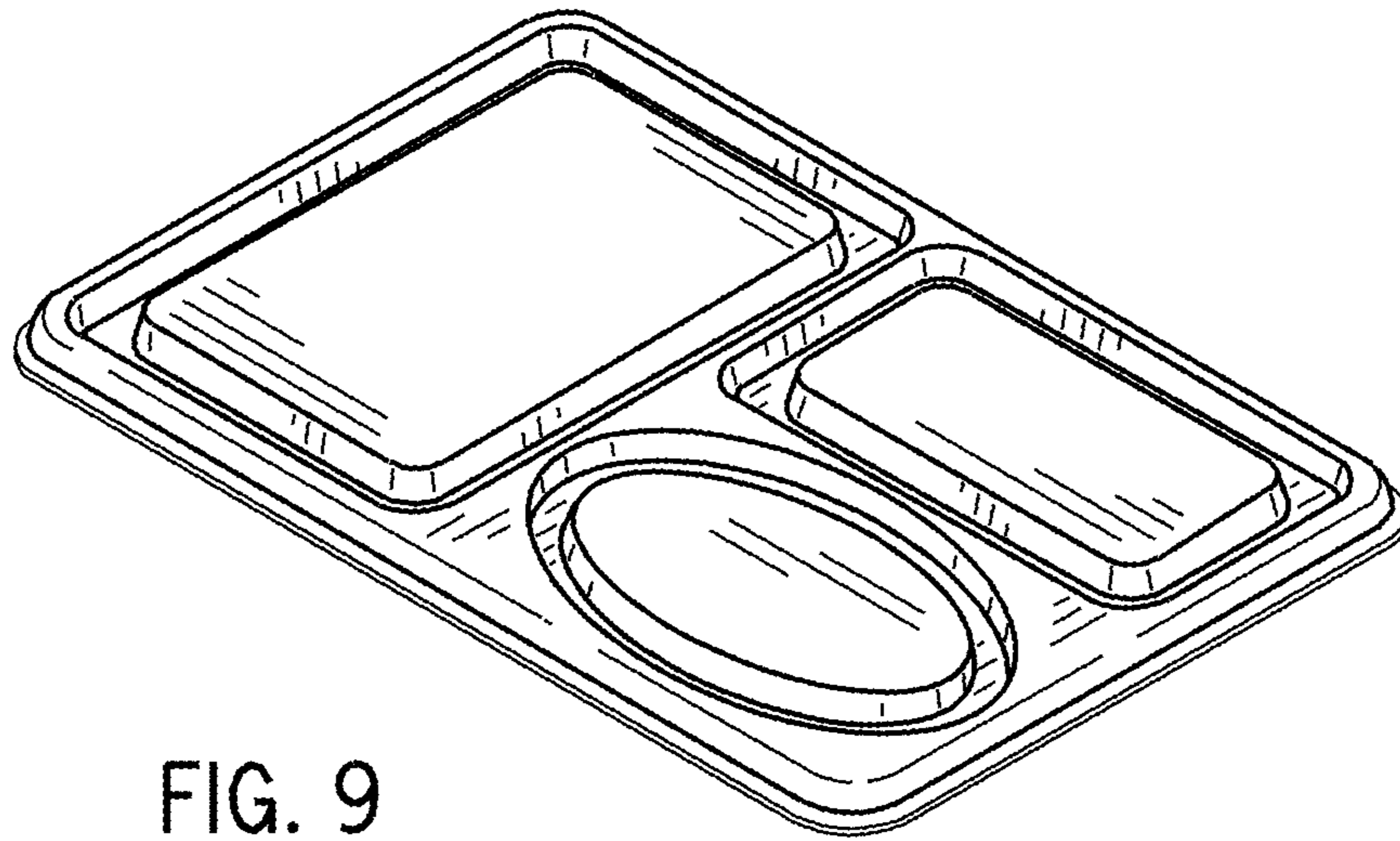


FIG. 9

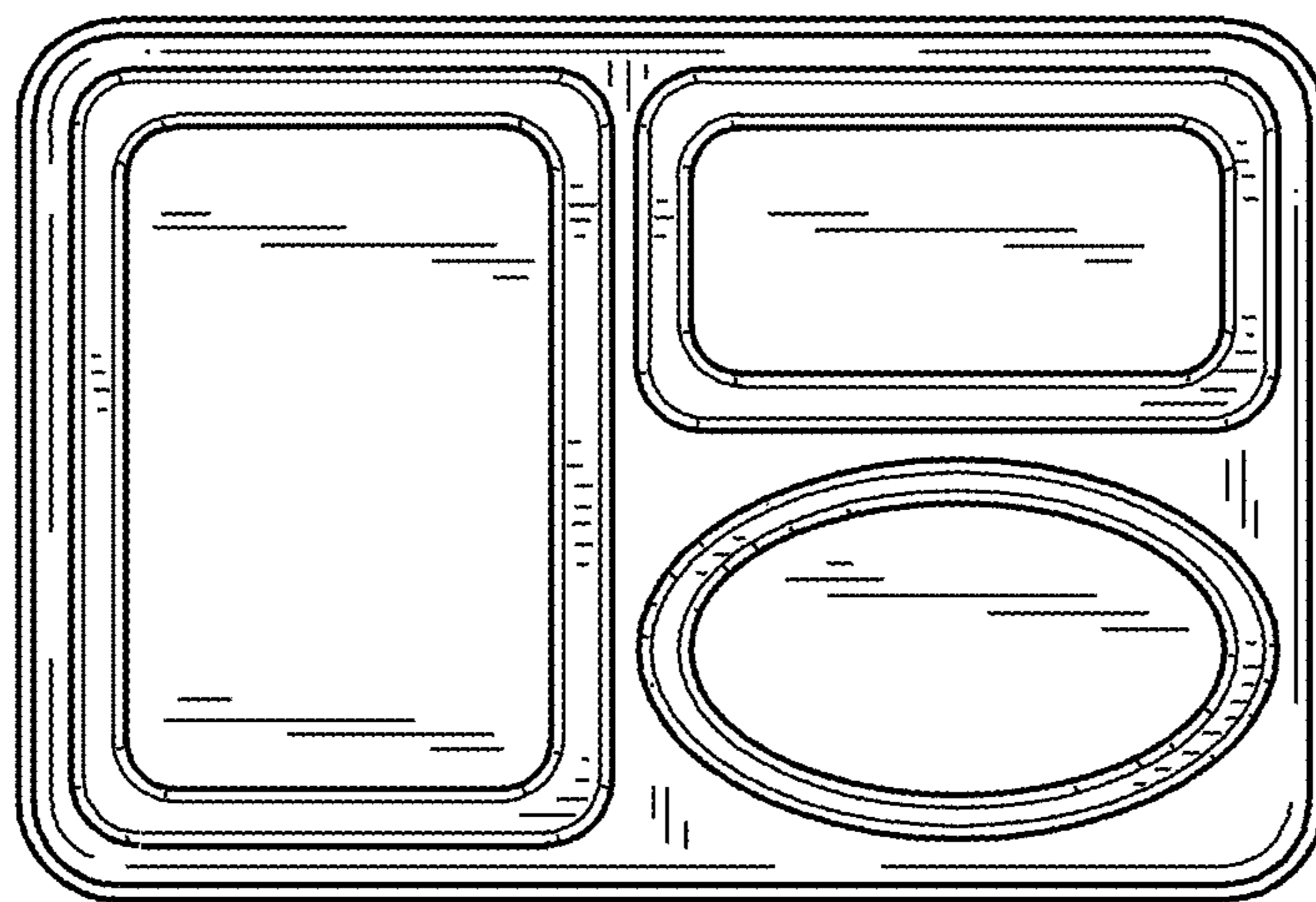


FIG. 10

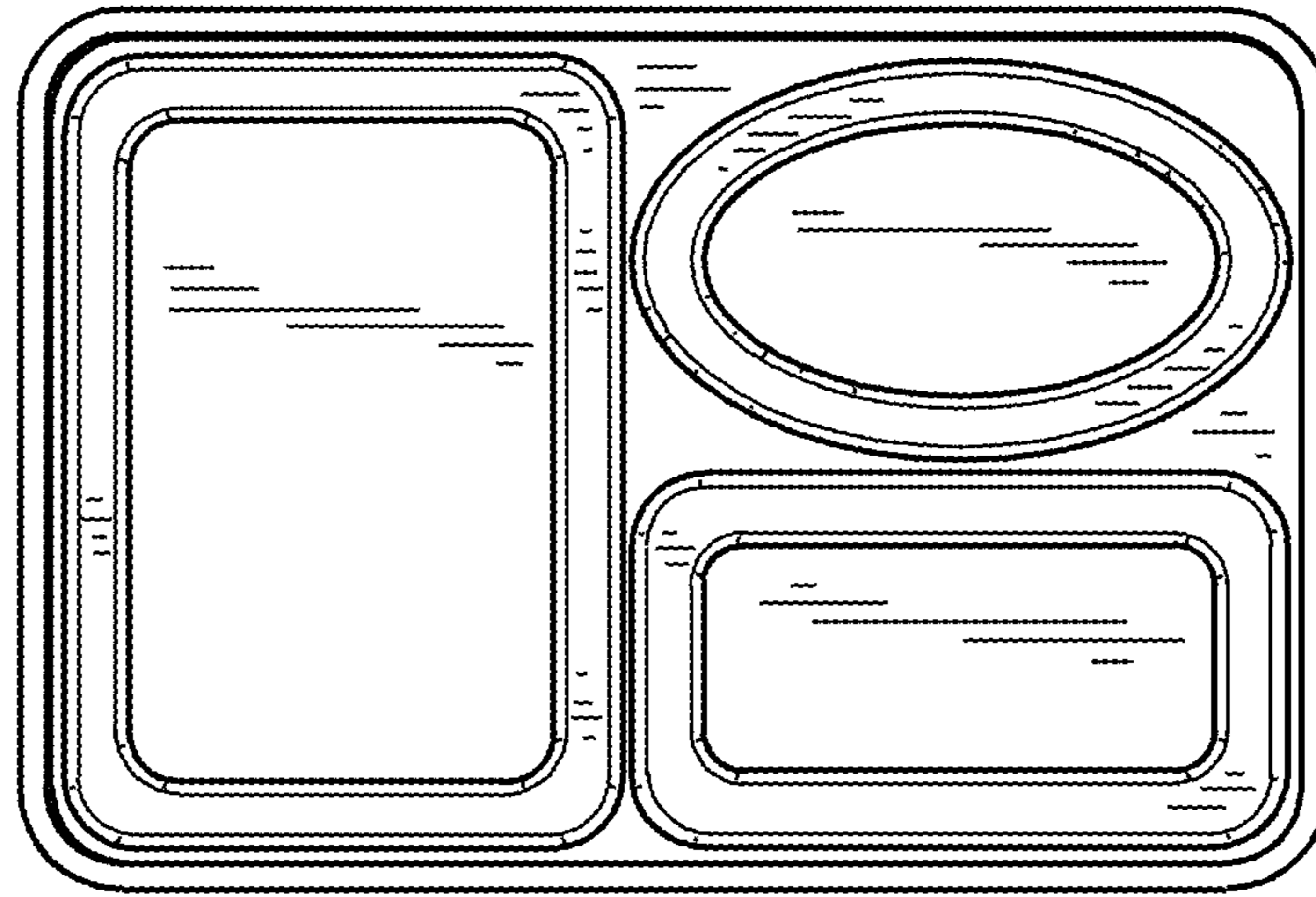


FIG. 11

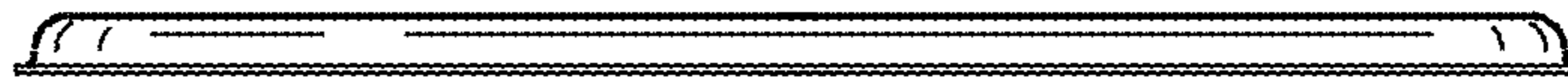


FIG. 12

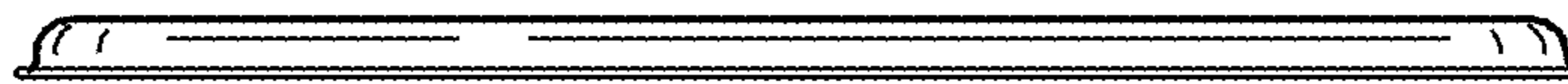


FIG. 13

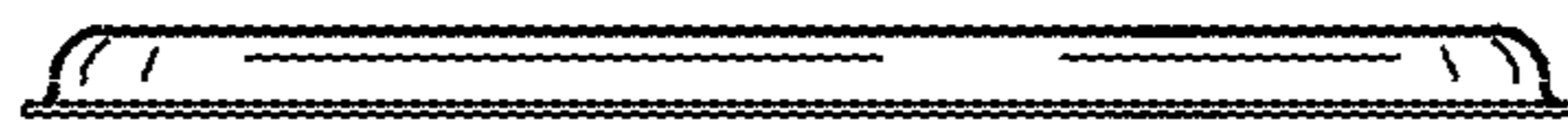


FIG. 14

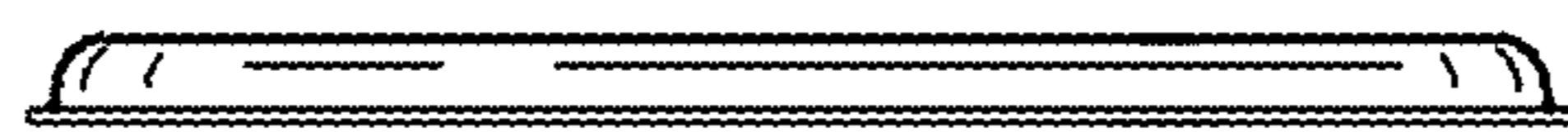
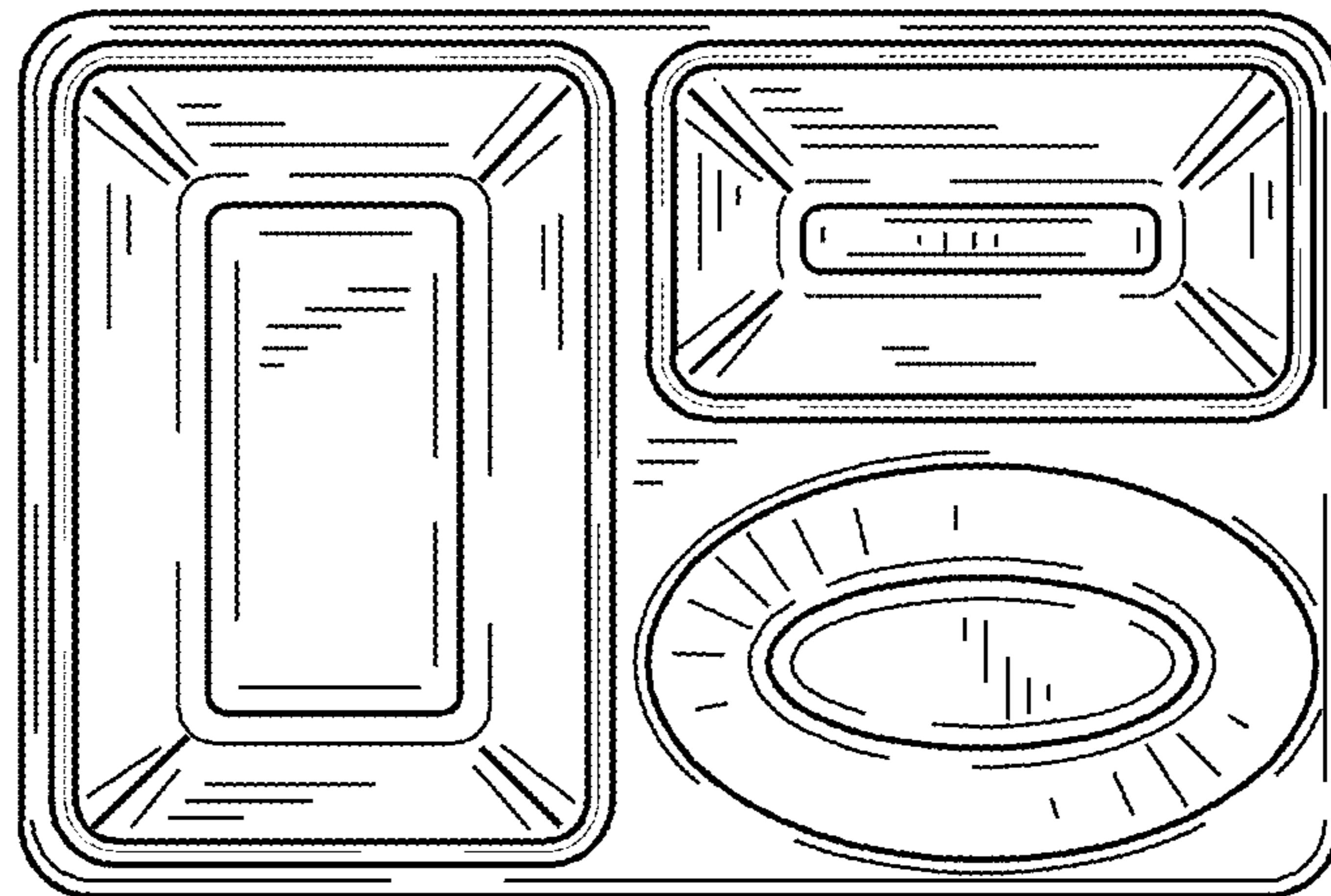
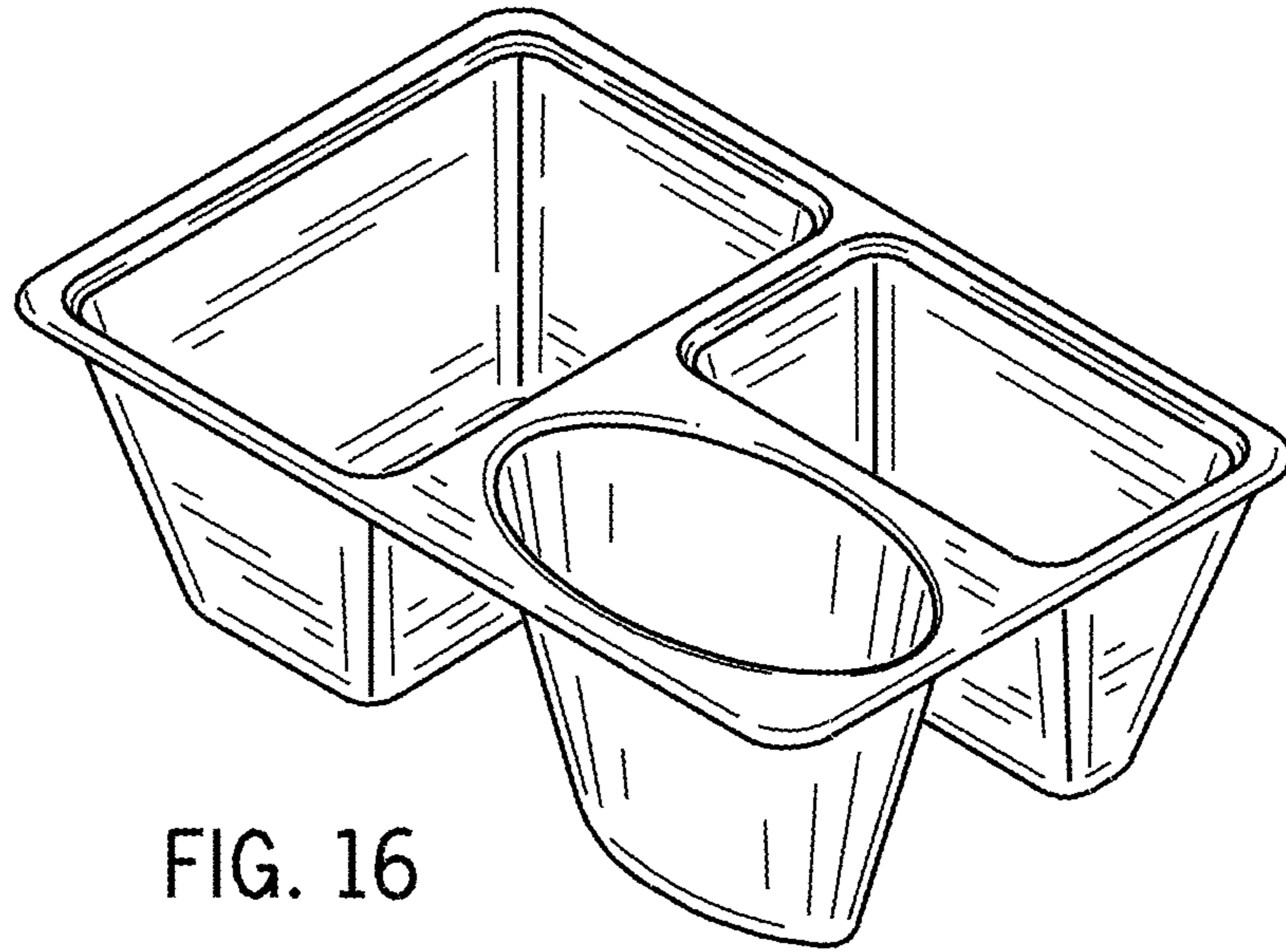


FIG. 15



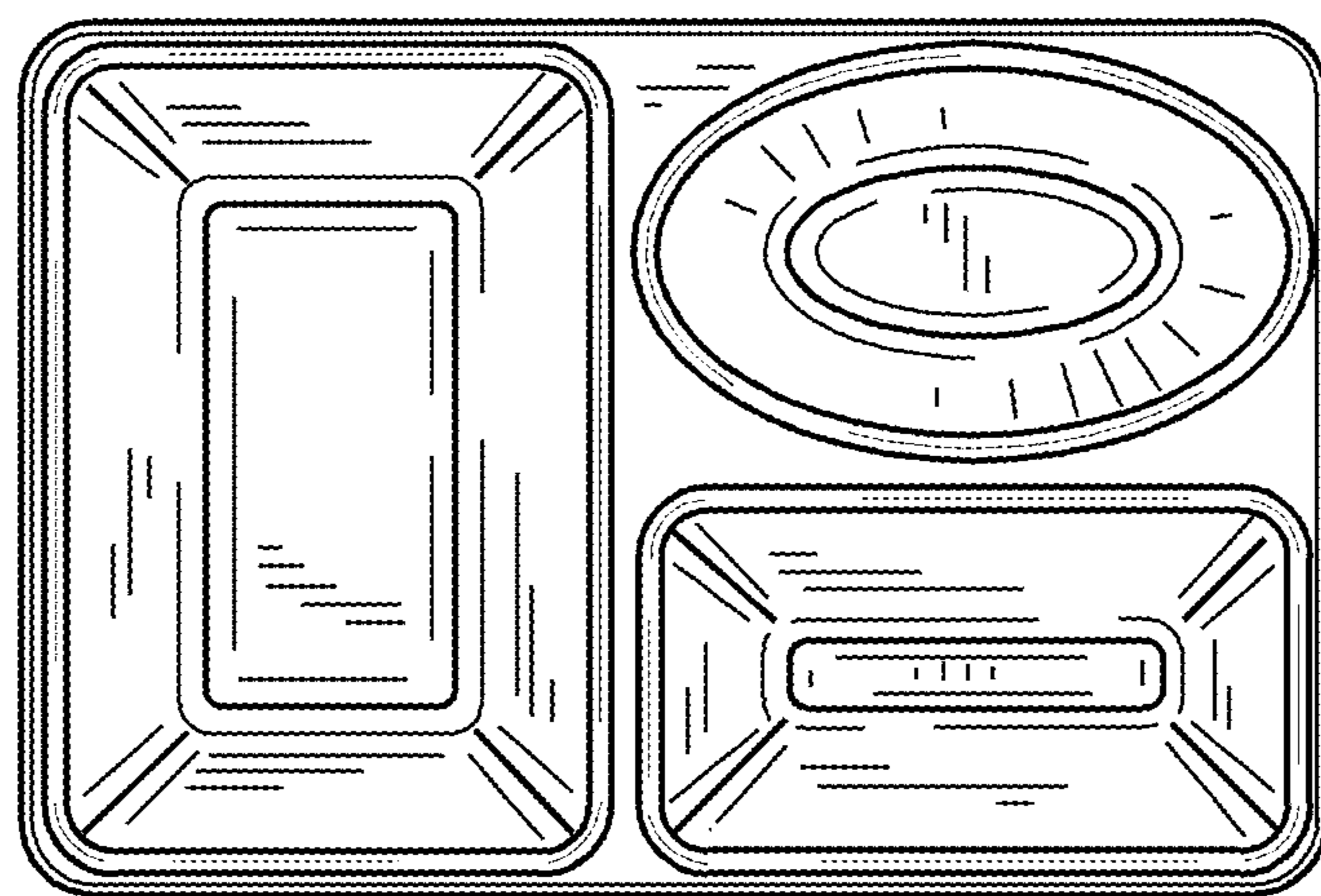


FIG. 18

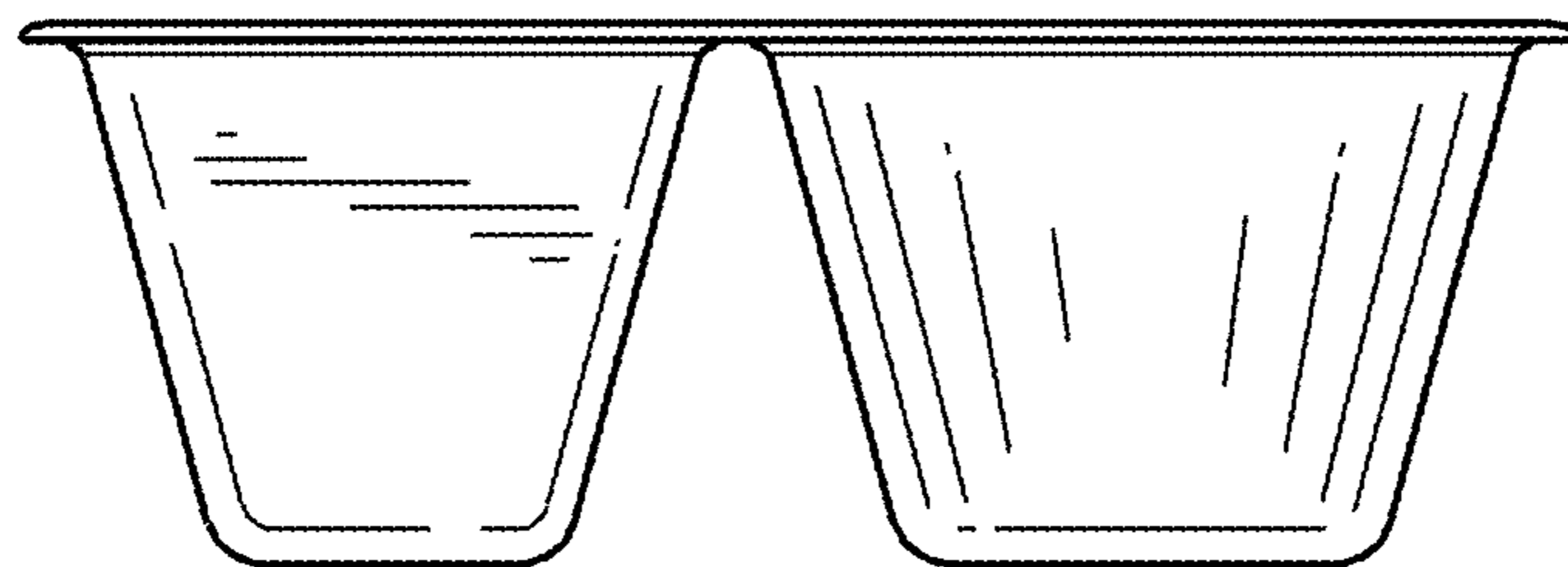


FIG. 19

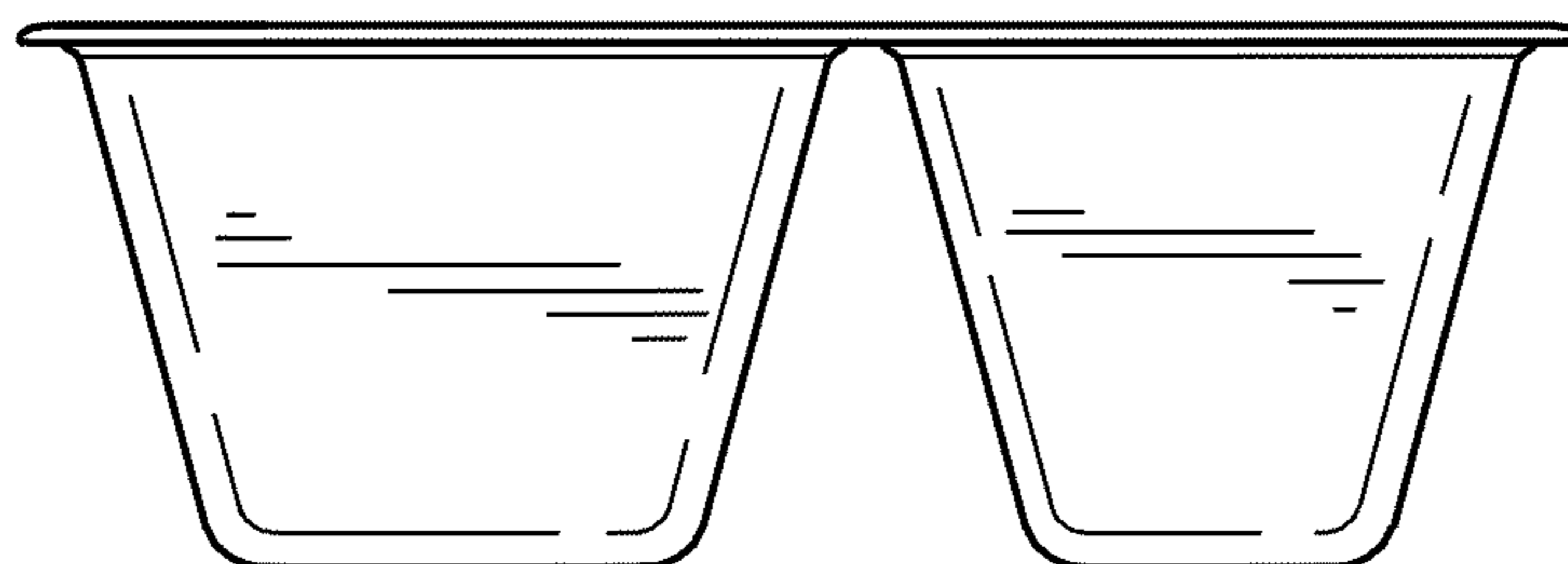


FIG. 20

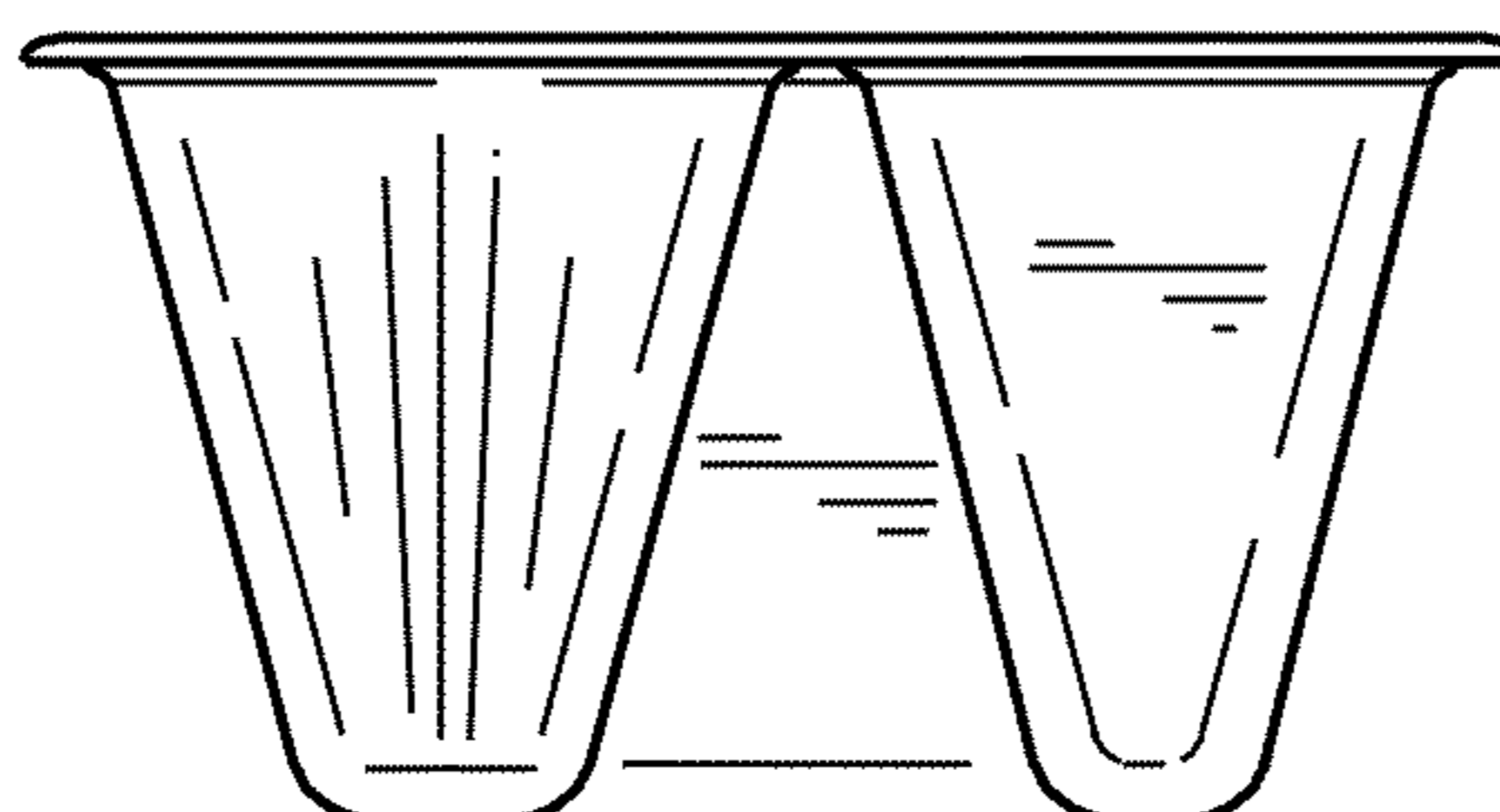


FIG. 21



FIG. 22