

US00D764312S

(12) **United States Design Patent**
Nishijima et al.

(10) **Patent No.:** **US D764,312 S**

(45) **Date of Patent:** **** Aug. 23, 2016**

(54) **FLEXIBLE POUCH**

(71) Applicant: **Brita LP**, Oakland, CA (US)

(72) Inventors: **Rick T. Nishijima**, Pleasanton, CA (US); **Gertrude Nyairo**, Pleasanton, CA (US); **Barbara Saucedo**, Livermore, CA (US)

(73) Assignee: **Brita LP**, Oakland

(**) Term: **14 Years**

(21) Appl. No.: **29/466,326**

(22) Filed: **Sep. 6, 2013**

(51) **LOC (10) Cl.** **09-05**

(52) **U.S. Cl.**
USPC **D9/710**

(58) **Field of Classification Search**

USPC D9/702-714, 720-722, 414, 430-435, D9/696, 716, 771, 447, 522, 571-575, 682, D9/738-747, 516-517, 529-530, 547-549, D9/569, 537-538, 544, 503-505, 545, 440, D9/442; 383/6, 9, 22, 61.1, 96, 80-81, 383/104, 901, 63, 203, 107, 119, 120, 123, 383/42, 906, 93; D7/213, 601-602; 222/92, 222/104, 107, 206; 604/408, 410, 403; 220/495.03, 669, 675; 215/381-385, 215/12.1, 400, 316, 328
CPC B65D 77/06; B65D 75/00; B65D 1/00; B65D 1/02; B65D 1/10; B65D 1/32; B65D 1/0223; B65D 1/023; B65D 1/0292; B65D 1/095; B65D 3/00; B65D 3/02; B65D 3/22; B65D 3/26; B65D 3/28; B65D 3/10; B65D 27/00; B65D 27/12; B65D 37/00

See application file for complete search history.

(56) **References Cited**

U.S. PATENT DOCUMENTS

| | | | |
|--------------|---------|-----------------|--------|
| D448,988 S | 10/2001 | Bell et al. | |
| D451,804 S | 12/2001 | Bell | |
| D558,596 S | 1/2008 | Berman | |
| D571,672 S | 6/2008 | Murray | |
| D573,897 S | 7/2008 | Berman | |
| D581,808 S | 12/2008 | Schwartz | |
| D583,255 S | 12/2008 | Castor | |
| D585,763 S | 2/2009 | Friebe et al. | |
| D588,470 S | 3/2009 | Berman | |
| D589,819 S | 4/2009 | Nomura et al. | |
| D609,112 S | 2/2010 | Koyanagi | |
| D619,906 S | 7/2010 | Carignan et al. | |
| D622,612 S | 8/2010 | Randall | |
| D627,237 S | 11/2010 | Ueda et al. | |
| D639,185 S | 6/2011 | Hung | |
| D644,123 S | 8/2011 | Blau | |
| D651,522 S * | 1/2012 | Kristoff | D9/708 |
| D656,038 S | 3/2012 | Molayem | |
| D664,863 S | 8/2012 | Kristoff | |

(Continued)

Primary Examiner — Abraham Bahta

(74) *Attorney, Agent, or Firm* — Stacy H. Combs; Thomas C. Feix

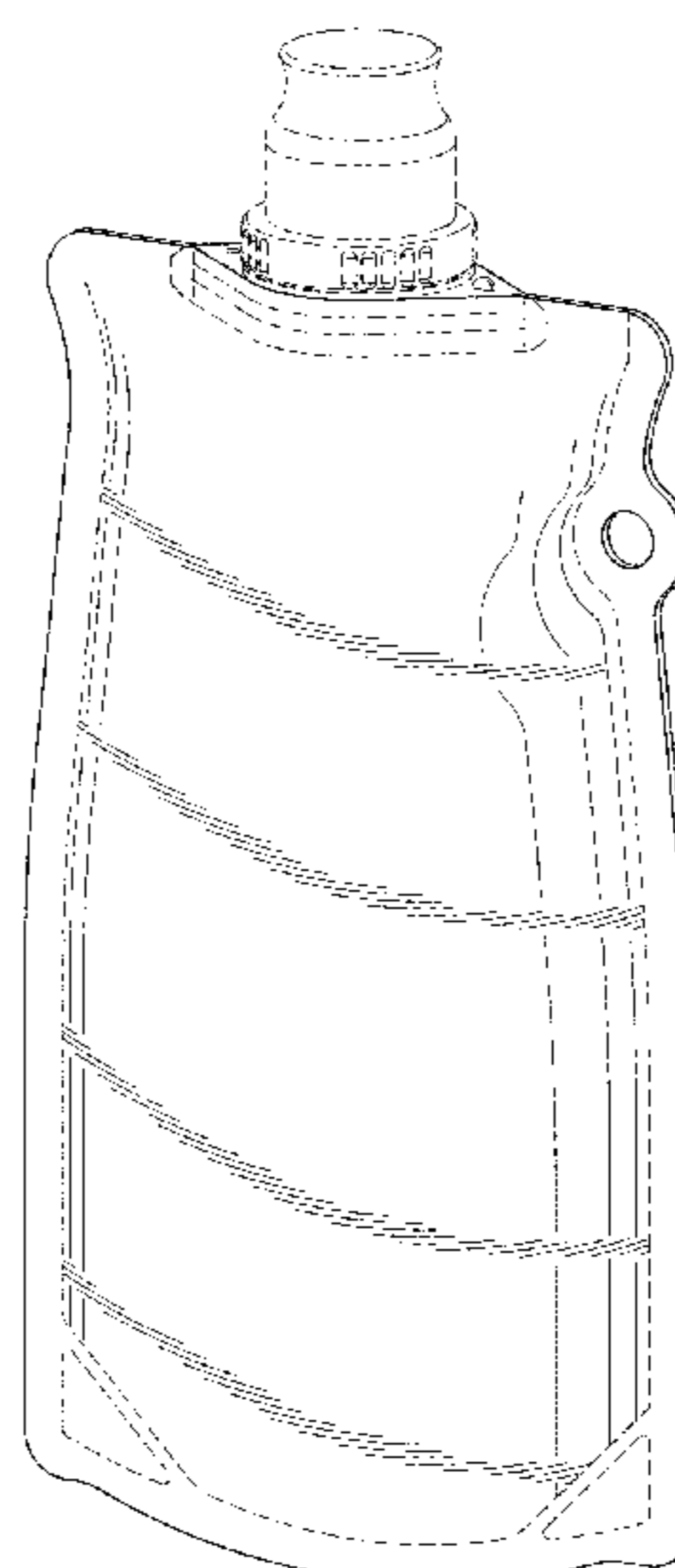
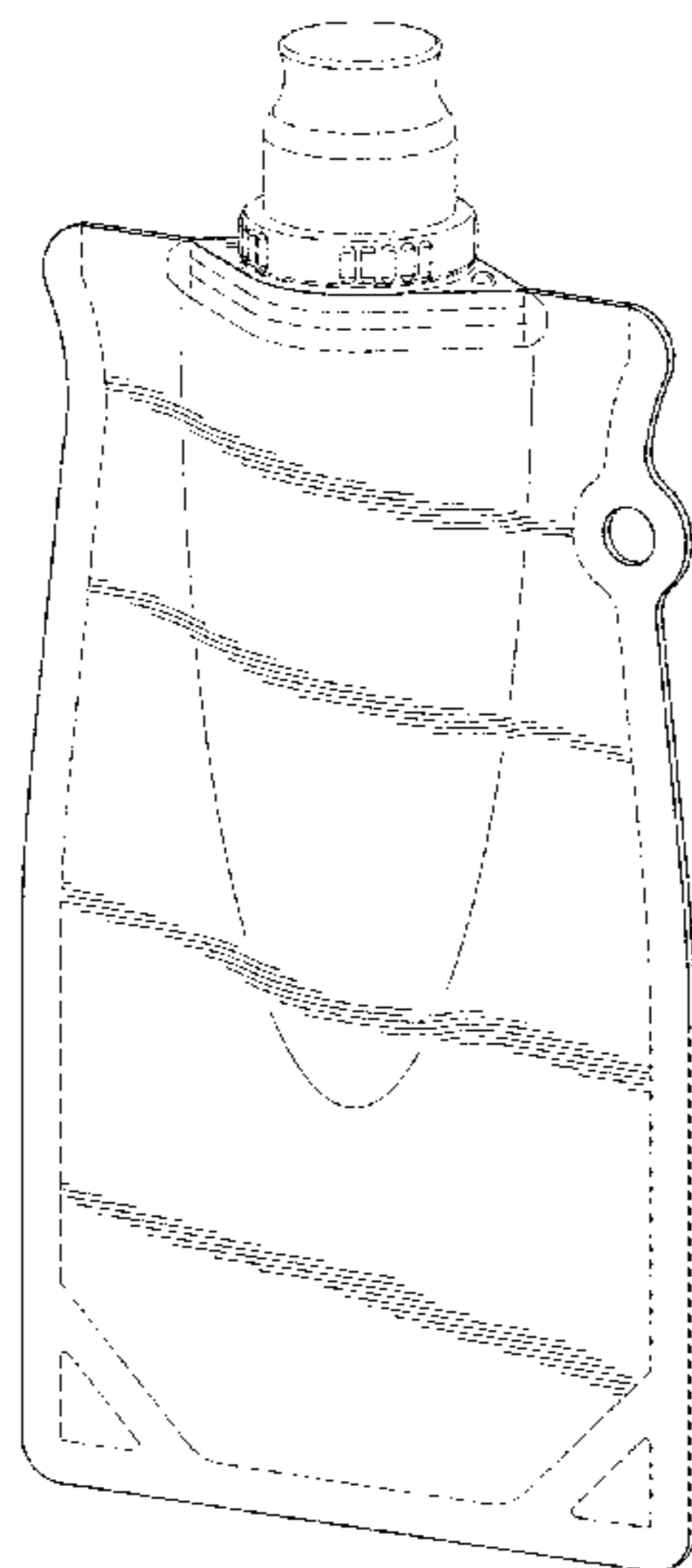
(57) **CLAIM**

The ornamental design for a flexible pouch, as shown.

DESCRIPTION

FIG. 1 is a front perspective view of the present invention in an empty, flattened configuration;
FIG. 2 is a front view thereof;
FIG. 3 is a back view thereof;
FIG. 4 is a top view thereof;
FIG. 5 is a bottom view thereof;
FIG. 6 is a left view thereof;
FIG. 7 is a right view thereof; and,
FIG. 8 is a front perspective view of the present invention in a filled, expanded configuration.
The broken lines are shown for illustrative purposes only and form no part of the claimed design.

1 Claim, 4 Drawing Sheets



(56)

References Cited

U.S. PATENT DOCUMENTS

D666,922 S 9/2012 Khan
D667,313 S 9/2012 Hensen
D676,335 S 2/2013 Murray
D676,336 S 2/2013 Murray
D677,170 S 3/2013 Neset
D682,117 S 5/2013 Murray

D683,316 S * 5/2013 Huang D13/147
D683,317 S * 5/2013 Nishimura et al. D13/147
D687,318 S * 8/2013 Panetta D9/708
D687,319 S * 8/2013 Panetta D9/709
D690,605 S * 10/2013 Hong et al. D9/710
D700,067 S * 2/2014 Murray D9/710
D700,846 S * 3/2014 LaMartina et al. D9/708
2009/0057347 A1 3/2009 Leys et al.
2013/0011085 A1 1/2013 Umenaka

* cited by examiner

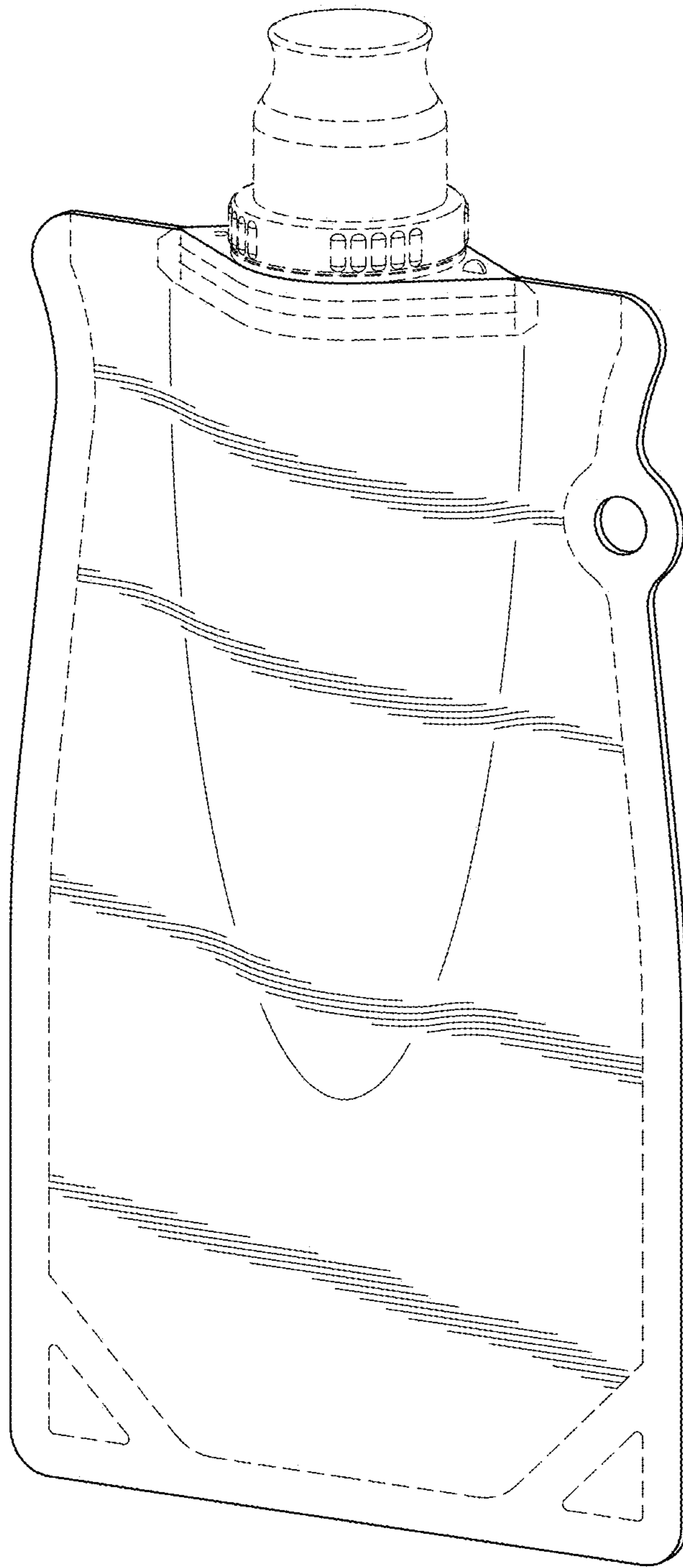


FIG. 1

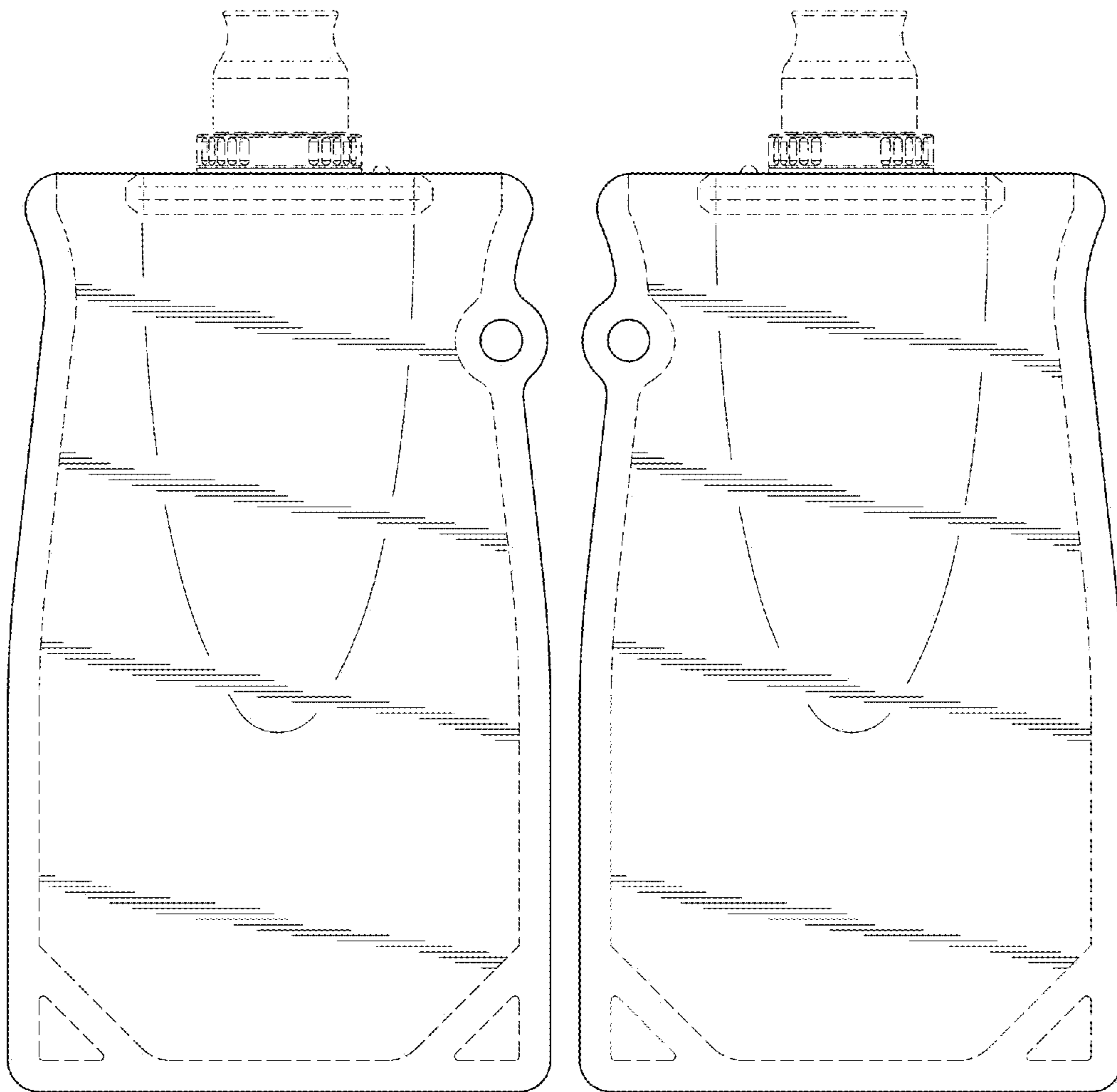


FIG. 2

FIG. 3

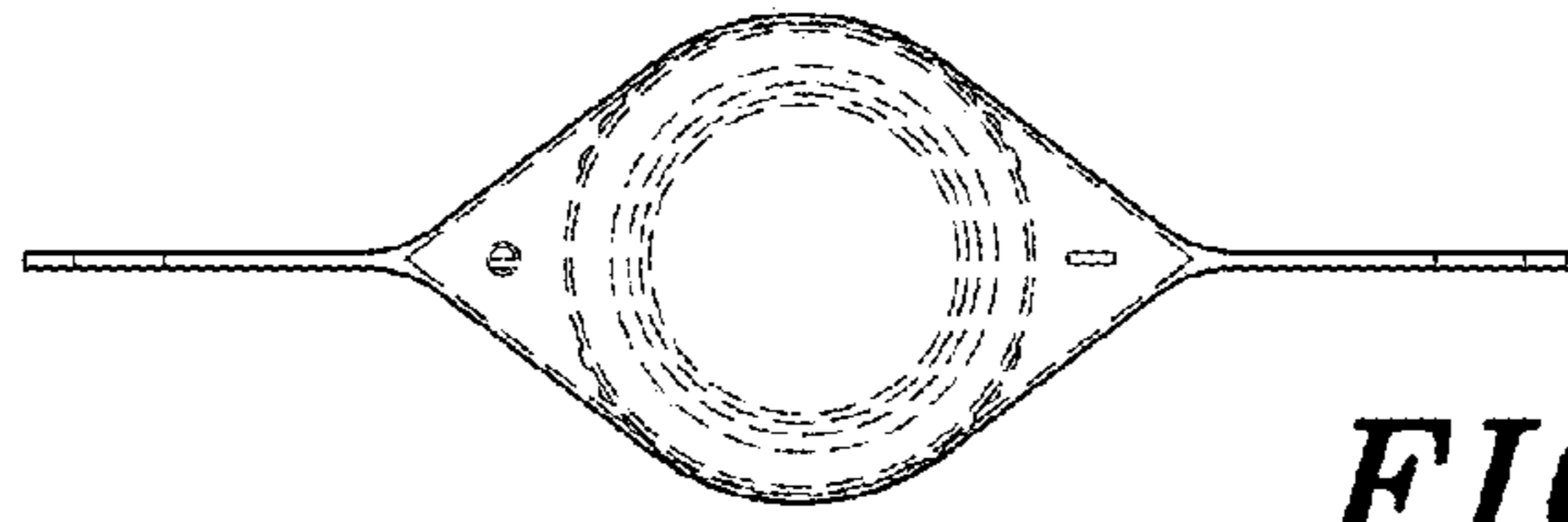


FIG. 4

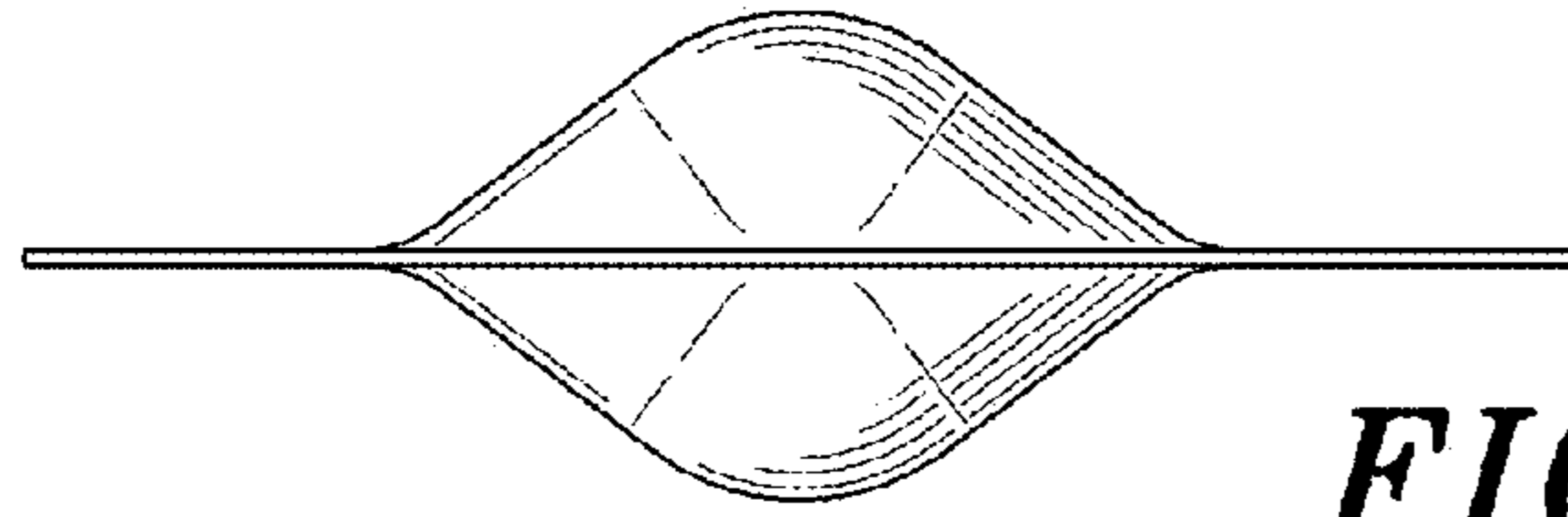


FIG. 5

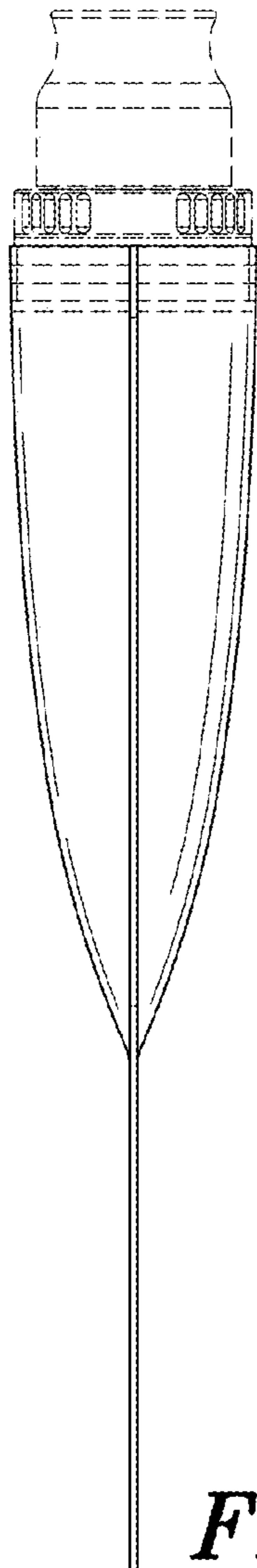


FIG. 6

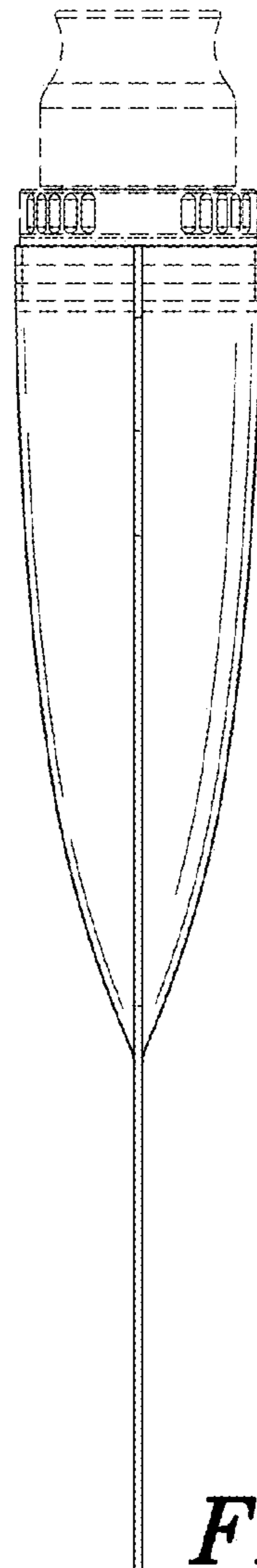


FIG. 7

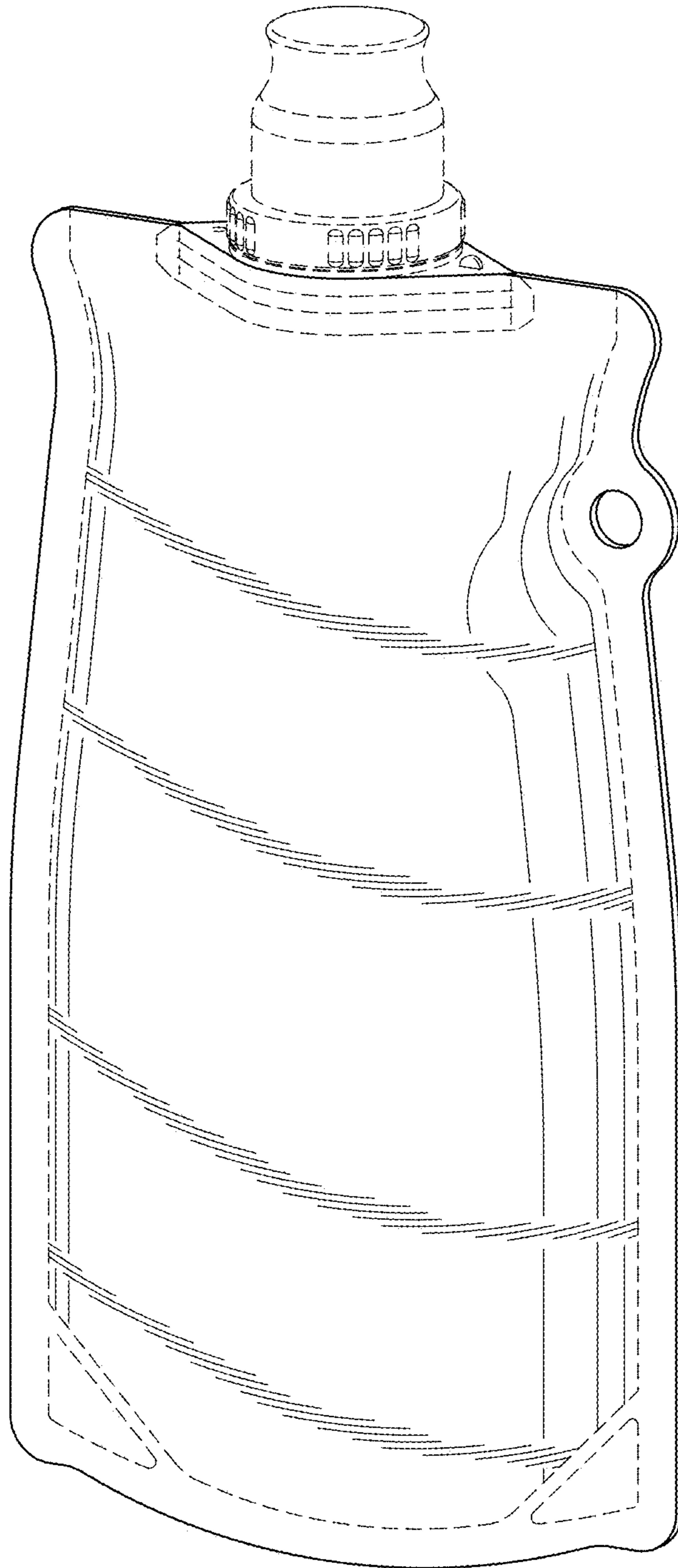


FIG. 8