

US00D764311S

(12) **United States Design Patent**
Garcia et al.

(10) **Patent No.:** **US D764,311 S**
(45) **Date of Patent:** **** Aug. 23, 2016**

(54) **BAG**

(71) Applicant: **Masterstouch Brand LLC**, San Diego, CA (US)

(72) Inventors: **Felipe Garcia**, San Diego, CA (US); **Victor Nicolas**, Tijuana (MX); **Alfredo Ortiz**, Tijuana (MX)

(73) Assignee: **Mastertouch Brand LLC**, San Diego, CA (US)

(**) Term: **15 Years**

(21) Appl. No.: **29/556,565**

(22) Filed: **Mar. 1, 2016**

Related U.S. Application Data

(62) Division of application No. 29/543,462, filed on Oct. 23, 2015.

(51) **LOC (10) Cl.** **09-05**

(52) **U.S. Cl.**
USPC **D9/703**

(58) **Field of Classification Search**

USPC D9/702–714, 414–415, 418–419, D9/430–431, 434, 424, 631, 737, 560; 206/236, 242, 286–287, 260, 271, 273; 211/85.3; 229/103.2, 87.01, 116.1, 229/87.05, 87.19, 117.12, 100; 150/100, 150/107, 112, 118; D27/186–191, 183; D3/273, 299–301, 232, 276, 295, 303, D3/226, 240, 315, 203.1; 383/105–114, 383/121.1, 33, 200, 61.1, 42, 119–120; D24/118, 121; 426/106; 222/92, 107, 222/215
CPC A45C 3/04; A45C 3/06; A45C 3/10; B65D 81/00; B65D 81/3813; B65D 81/02; B65D 65/38; B65D 65/02; B65D 33/04; B65D 33/06; B65D 31/10; B65D 31/00

See application file for complete search history.

(56) **References Cited**

U.S. PATENT DOCUMENTS

D278,974 S * 5/1985 Ray D9/434
5,576,037 A 11/1996 Moore, Jr. et al.

(Continued)

FOREIGN PATENT DOCUMENTS

JP H1179194 3/1999

OTHER PUBLICATIONS

Rice, Judy. “More Consumer-Convenient, Eco-Friendly Rotisserie Chicken Packaging.” Stand Out with Glenroy, Fully Customized Stand-Up Pouches, Mar. 4, 2008. [Http://www.packworld.com/package-typ e/thermo formed-packaging/more- consumerconvenient-eco-friendly-rotisserie-chicken](http://www.packworld.com/package-typ e/thermo formed-packaging/more- consumerconvenient-eco-friendly-rotisserie-chicken).

(Continued)

Primary Examiner — Abraham Bahta

(74) *Attorney, Agent, or Firm* — Fennemore Craig, P.C.

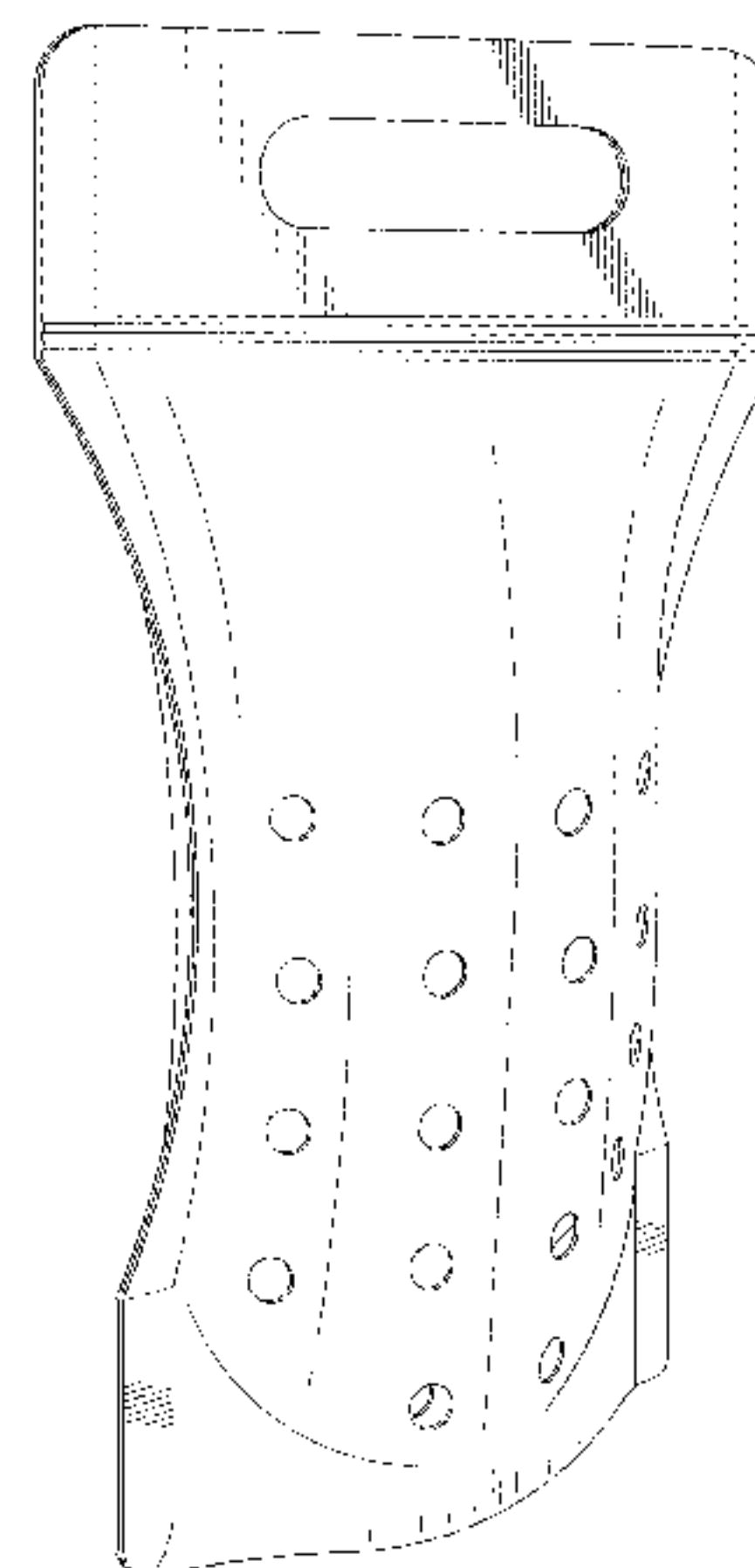
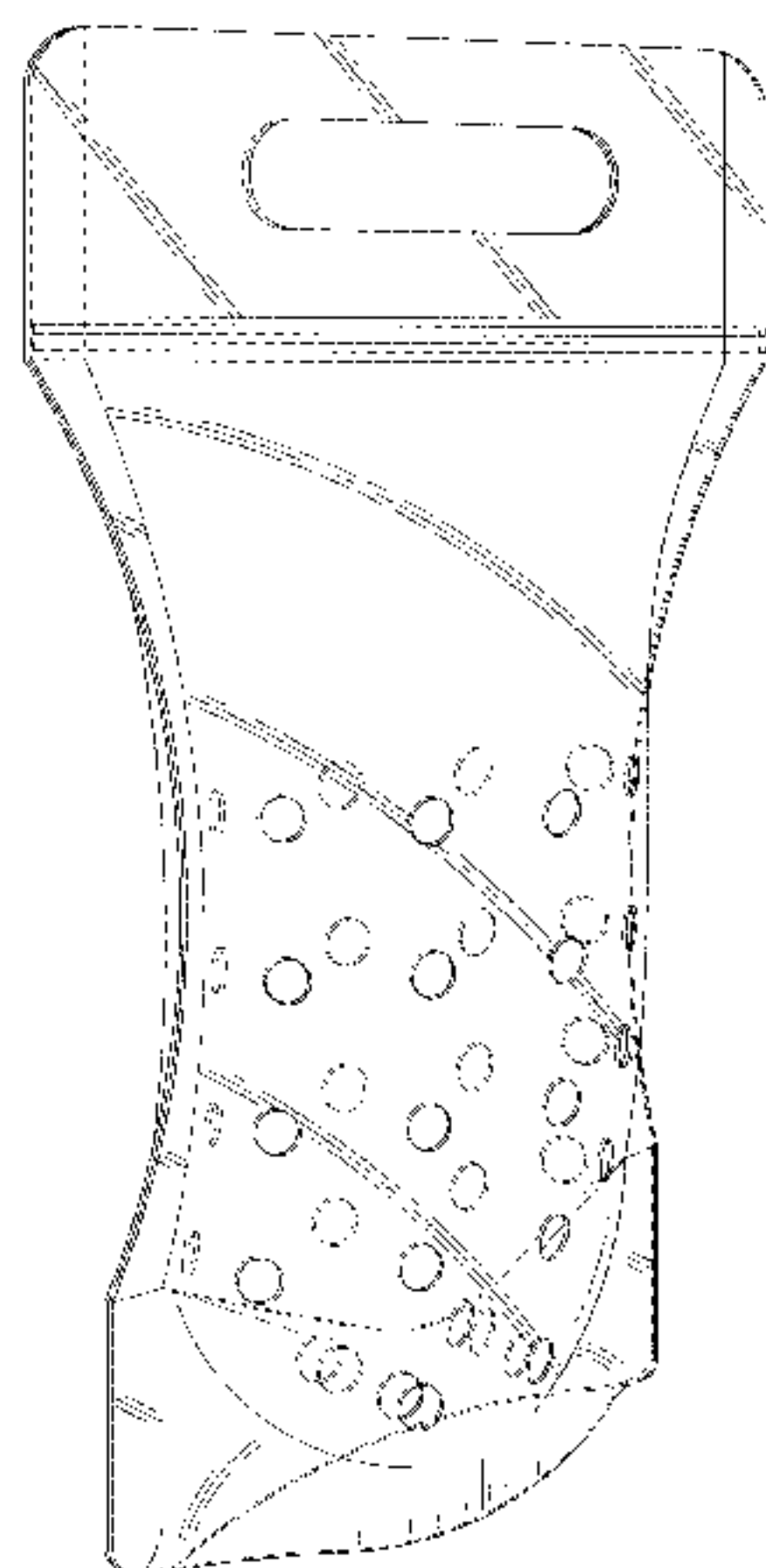
(57) **CLAIM**

The ornamental design for a bag, as shown and described.

DESCRIPTION

FIG. 1 is a top front perspective view of a first embodiment of the bag showing our new design;
FIG. 2 is a front elevation view thereof;
FIG. 3 is a rear elevation view thereof;
FIG. 4 is a top plan view thereof;
FIG. 5 is a bottom plan view thereof;
FIG. 6 is a right side view thereof;
FIG. 7 is a left side view thereof;
FIG. 8 is a top front perspective view of a second embodiment of the bag;
FIG. 9 is a front elevation view thereof;
FIG. 10 is a rear elevation view thereof;
FIG. 11 is a top plan view thereof;
FIG. 12 is a bottom plan view thereof;
FIG. 13 is a right side elevation thereof; and,
FIG. 14 is a left side elevation thereof.

1 Claim, 10 Drawing Sheets



(56)

References Cited

U.S. PATENT DOCUMENTS

5,882,120 A 3/1999 Bell
 D468,195 S 1/2003 Bell
 D541,171 S 4/2007 Delmotte et al.
 D548,458 S * 8/2007 Gregson, III D3/245
 D555,352 S * 11/2007 Lown D3/202
 D596,494 S * 7/2009 Hendershot D9/705
 D606,754 S * 12/2009 Baron D3/303
 D692,774 S * 11/2013 Cheng D9/704
 D696,143 S * 12/2013 Garbow D9/705
 8,678,651 B2 3/2014 Schwallie et al.
 D715,158 S * 10/2014 Chen D9/707
 D719,036 S 12/2014 Martin et al.
 D720,237 S * 12/2014 Maglio, Jr. D9/704

D723,935 S 3/2015 Short
 D747,219 S * 1/2016 Yu D9/709
 2008/0107781 A1 5/2008 Carroll
 2009/0208147 A1 8/2009 Steele
 2014/0212068 A1 7/2014 Yu et al.
 2014/0241847 A1 8/2014 Short
 2014/0370160 A1 12/2014 Martin et al.

OTHER PUBLICATIONS

“Plastic Frozen Blueberries Fruit Packaging Bag.” Chang Xing Pack-
 ing Industry Co., Ltd. [Http://www.alibaba.com/product-detail/plastic-frozen-blueberries-fruit-packagingbag319089001.html?spm=a2700.7724857.29.55.SPPnlx](http://www.alibaba.com/product-detail/plastic-frozen-blueberries-fruit-packagingbag319089001.html?spm=a2700.7724857.29.55.SPPnlx).

* cited by examiner

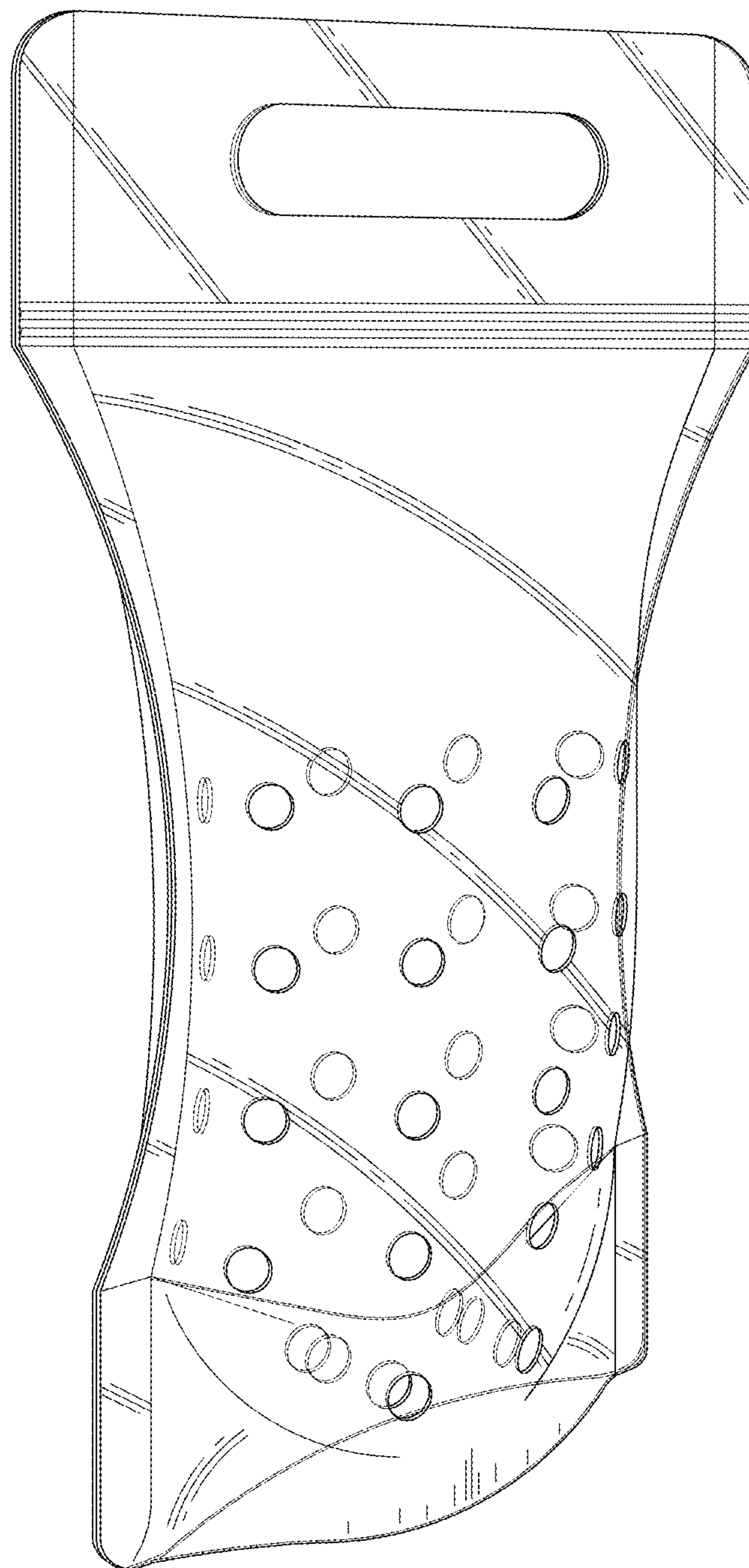


FIG. 1

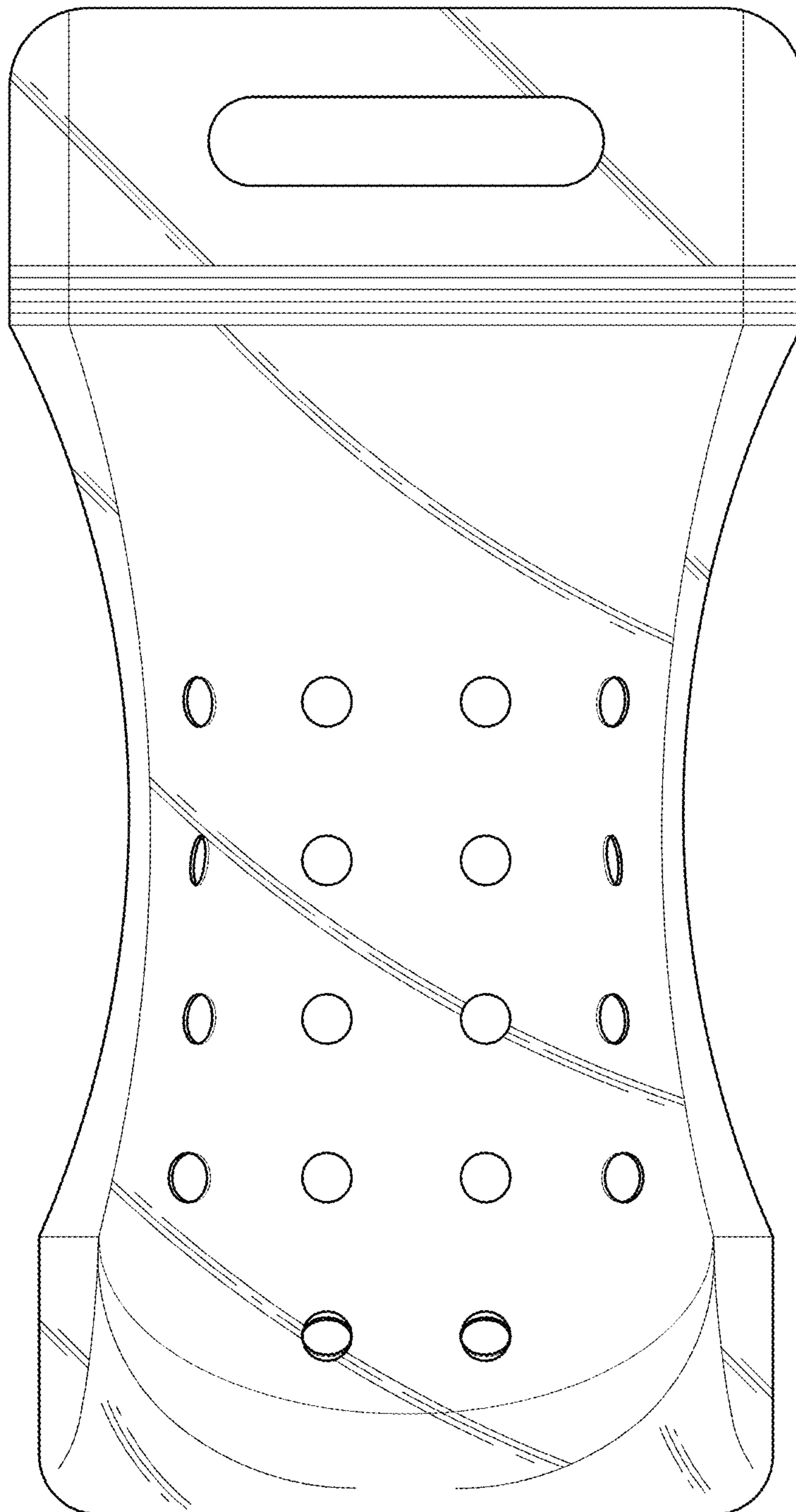


FIG. 2

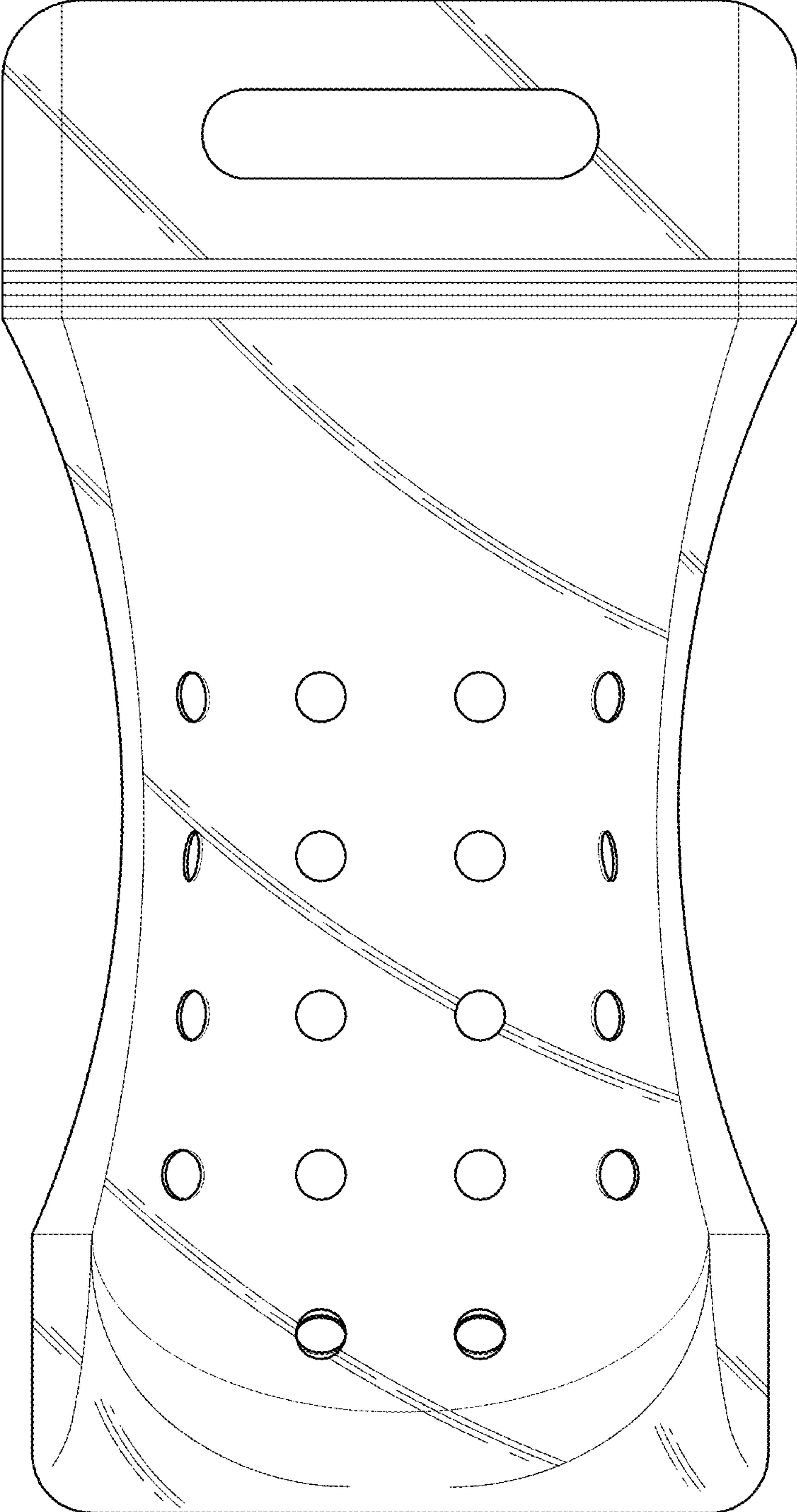


FIG. 3

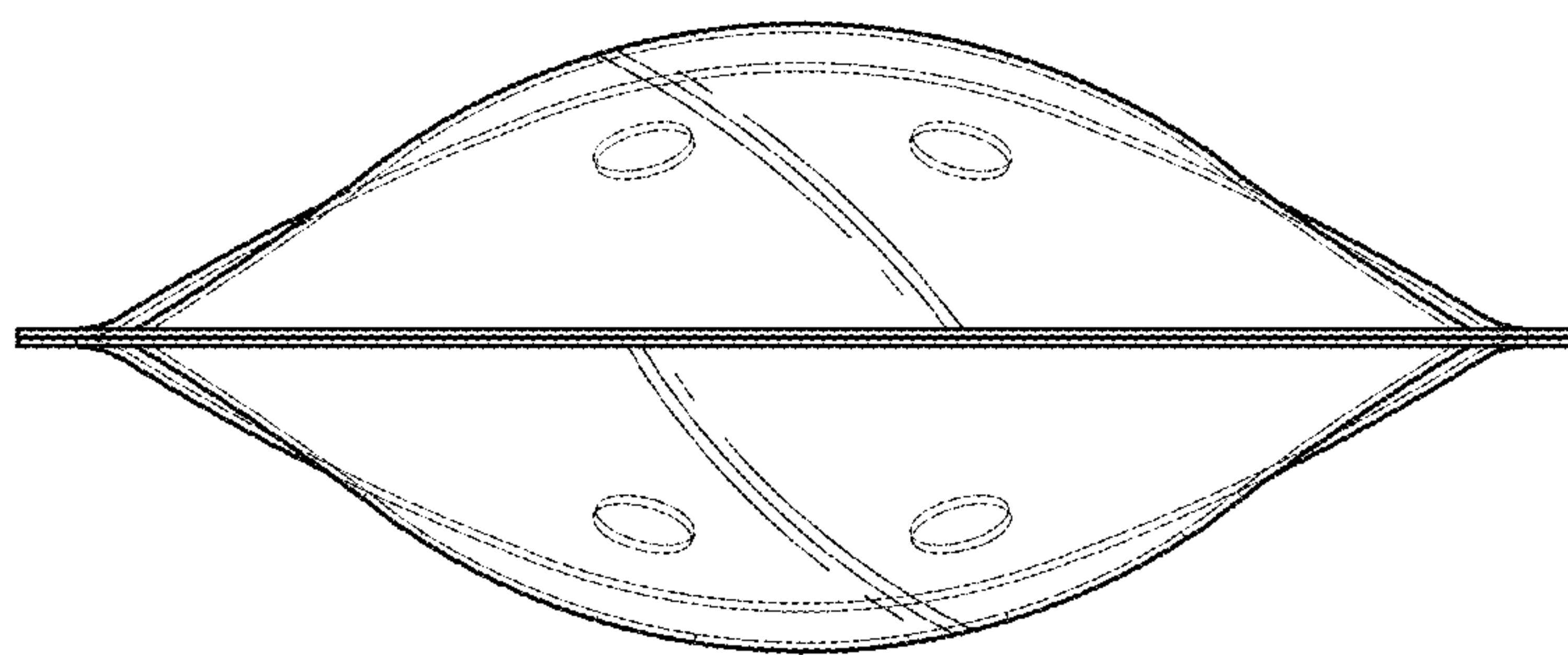


FIG. 4

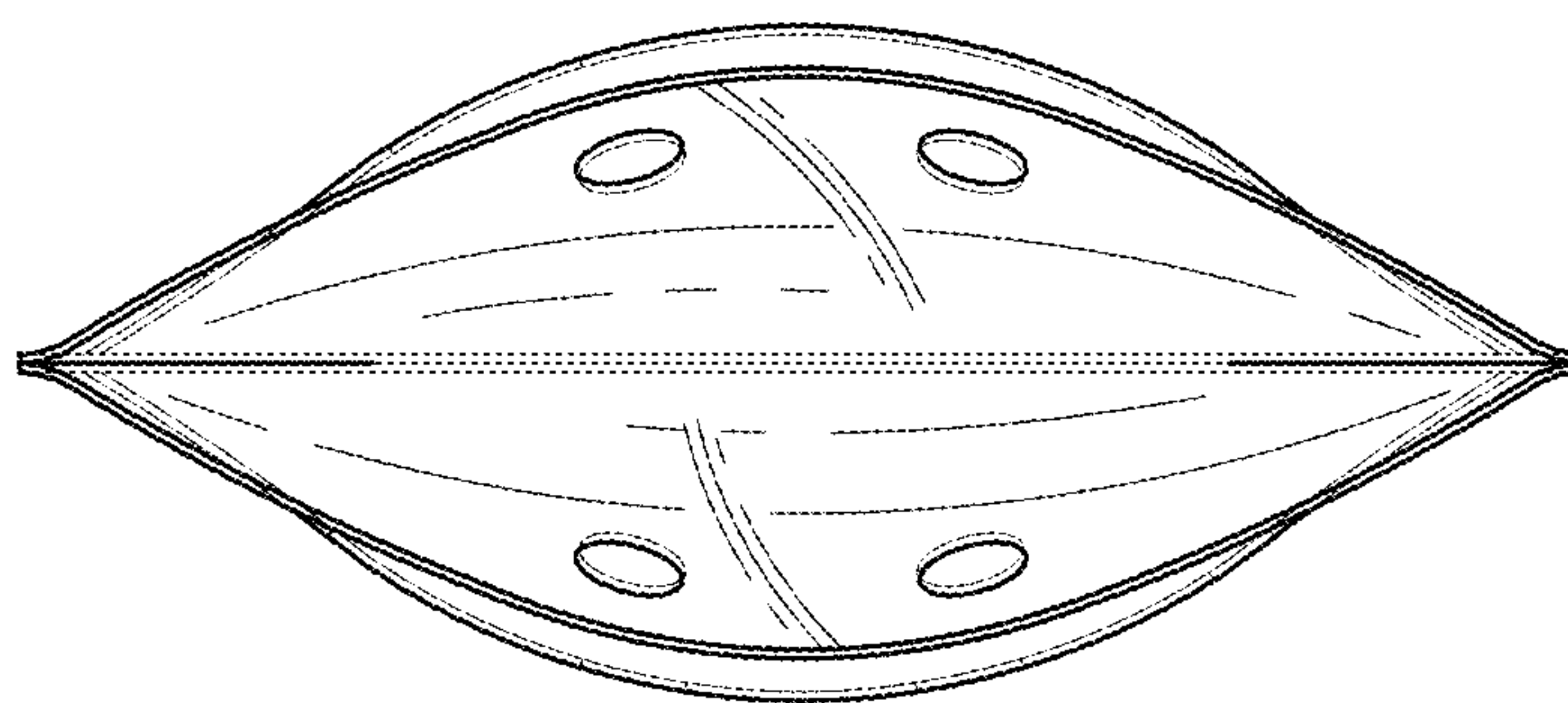


FIG. 5

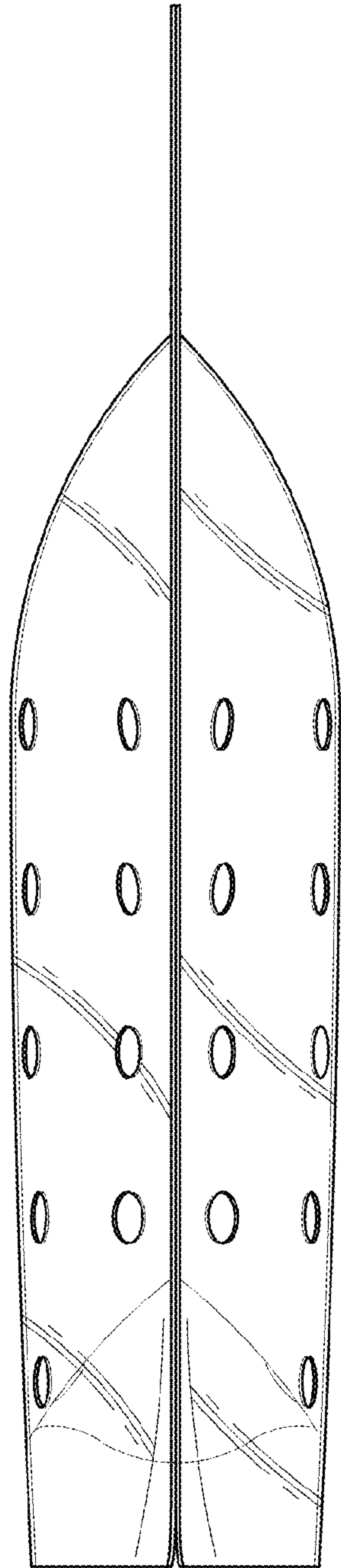


FIG. 6

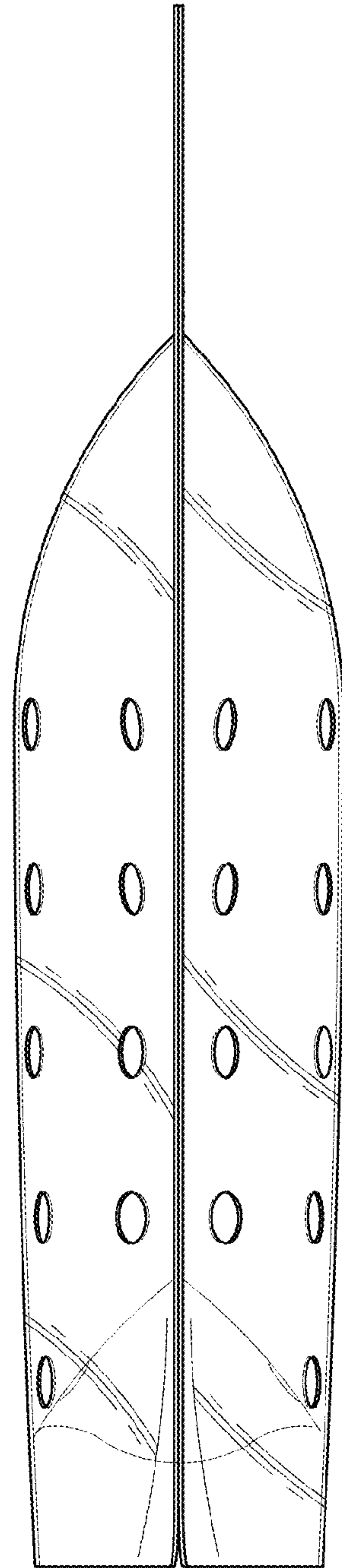


FIG. 7

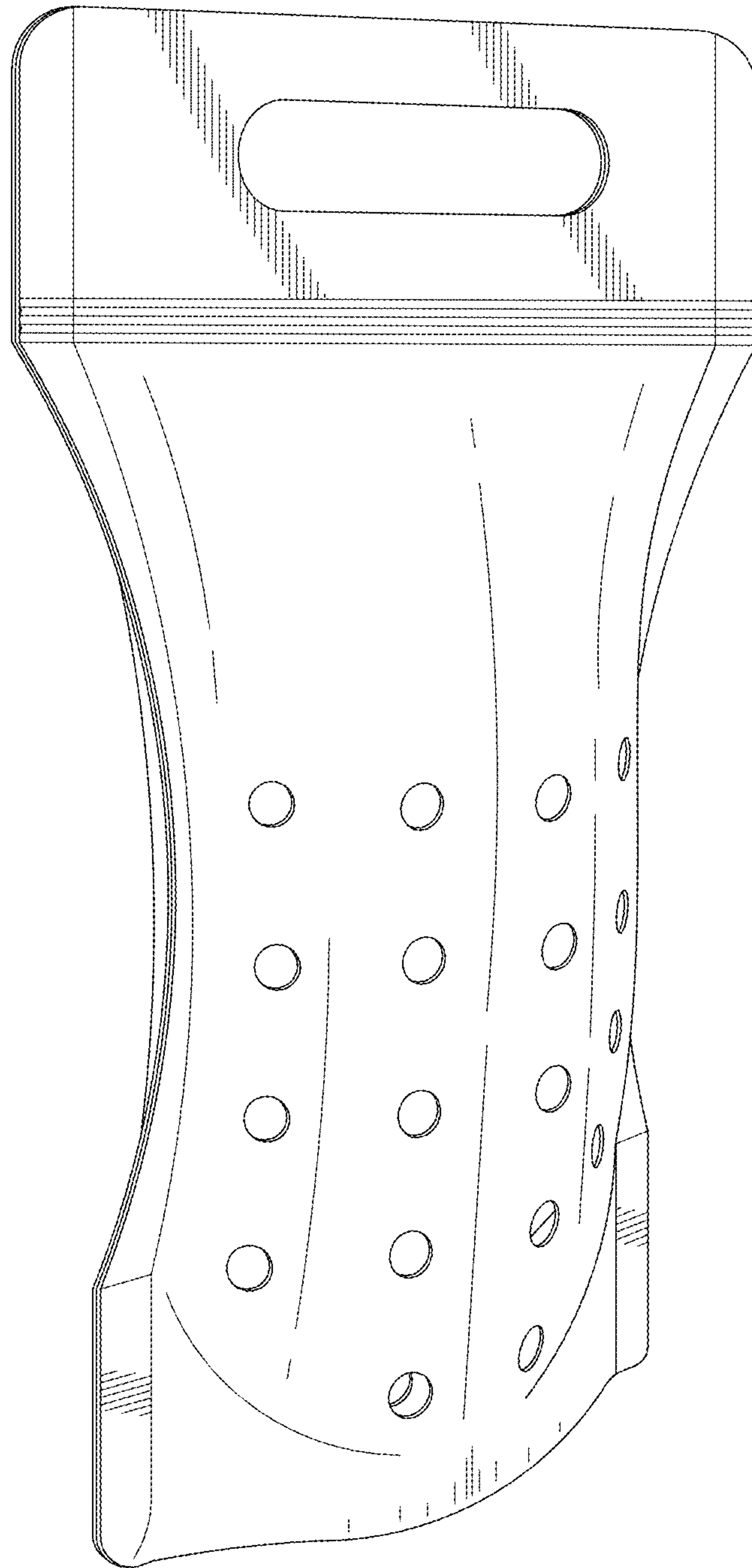


FIG. 8

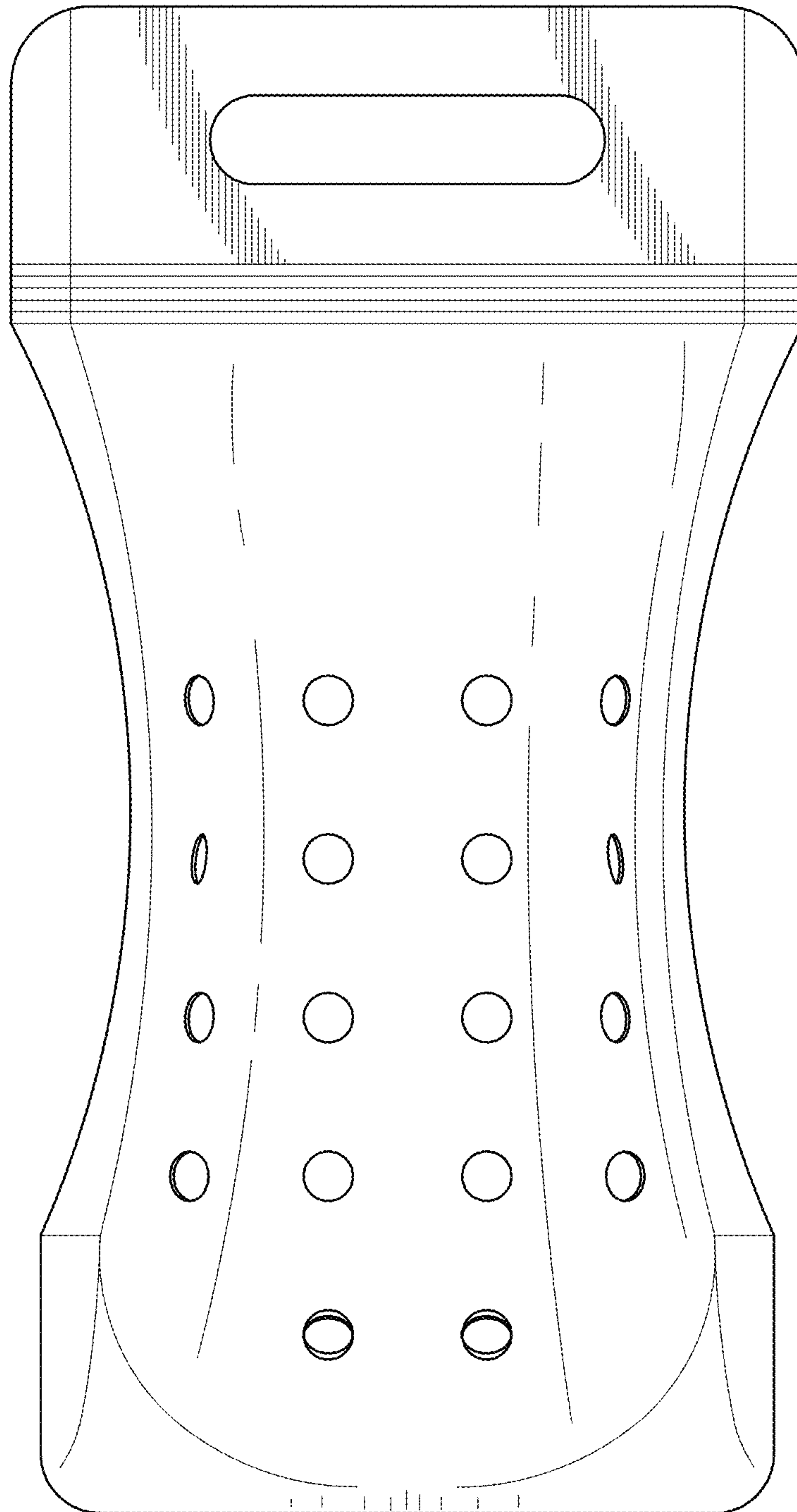


FIG. 9

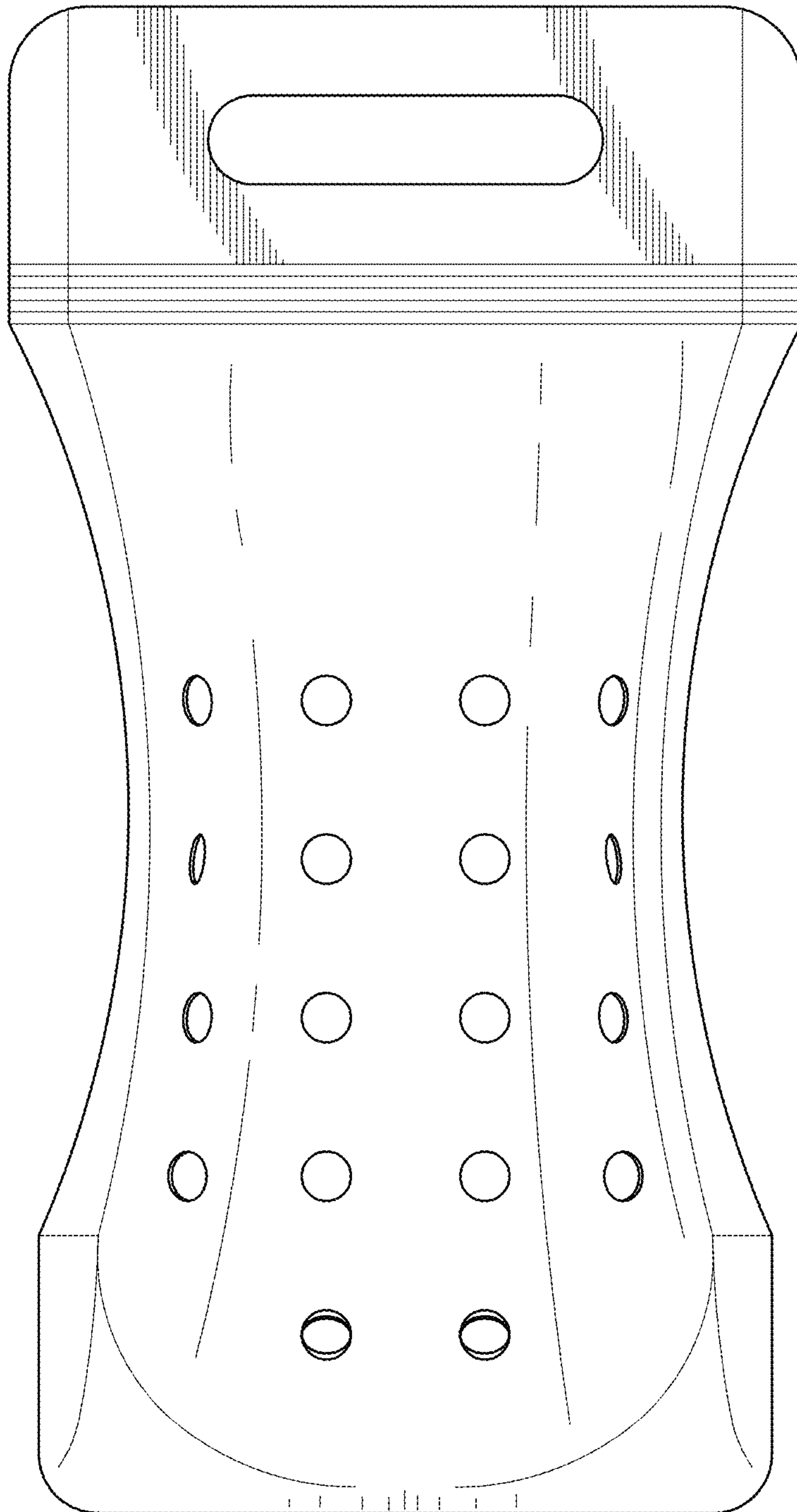


FIG. 10

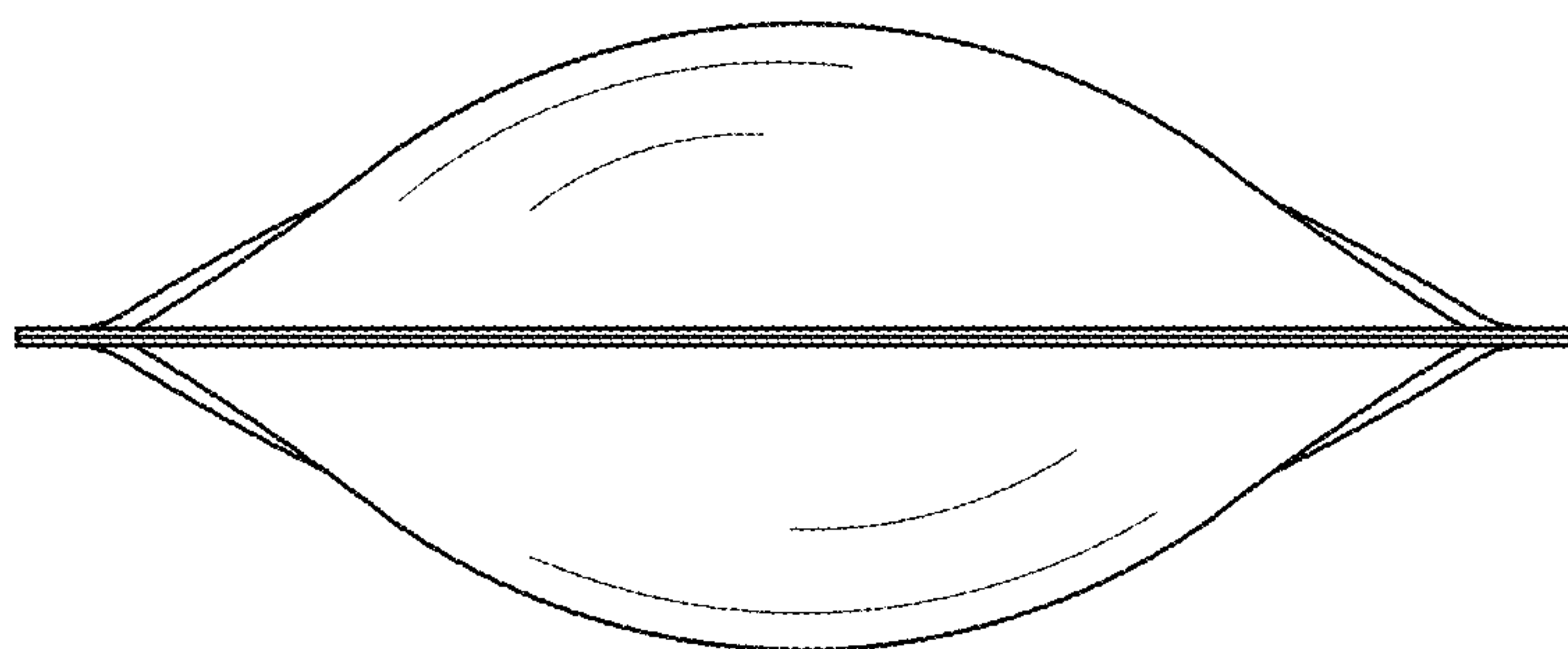


FIG. 11

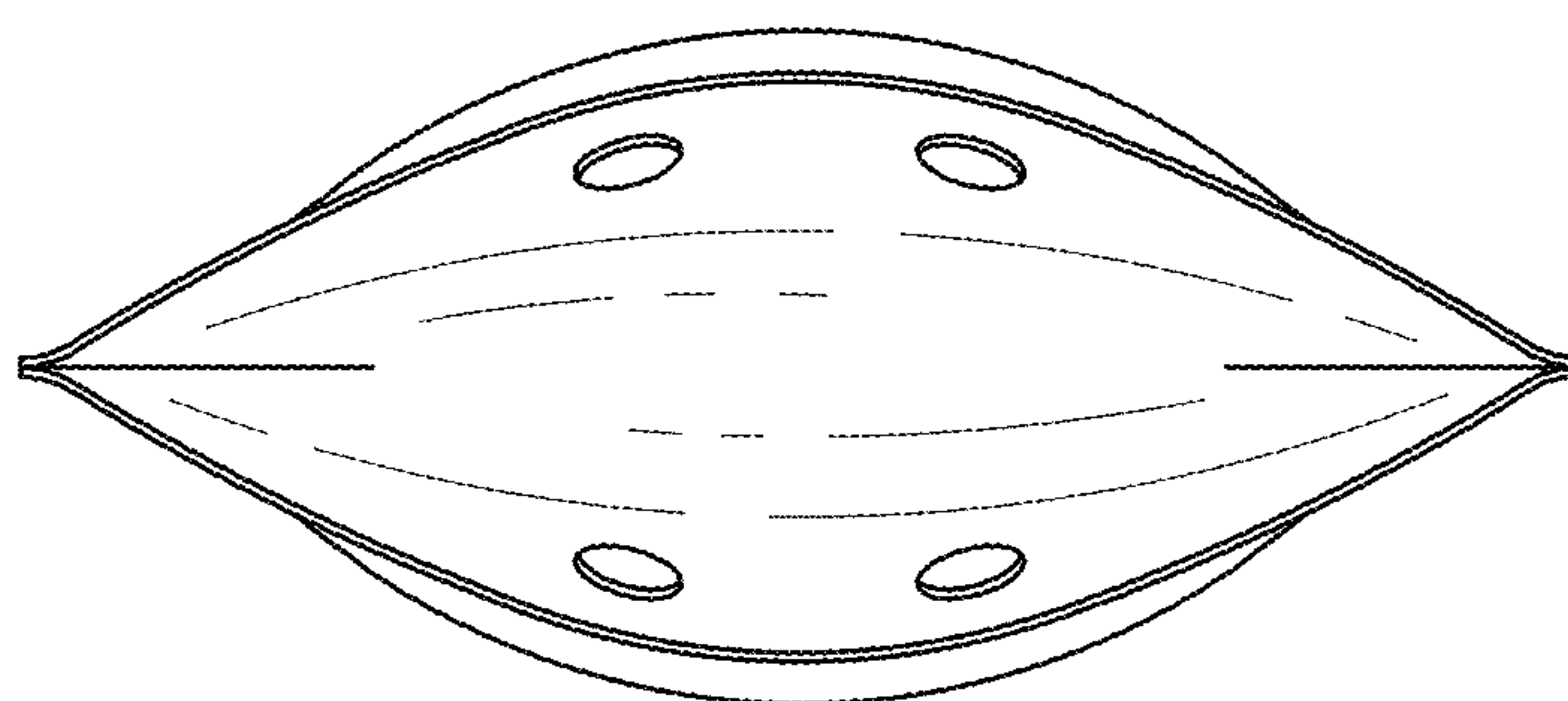


FIG. 12

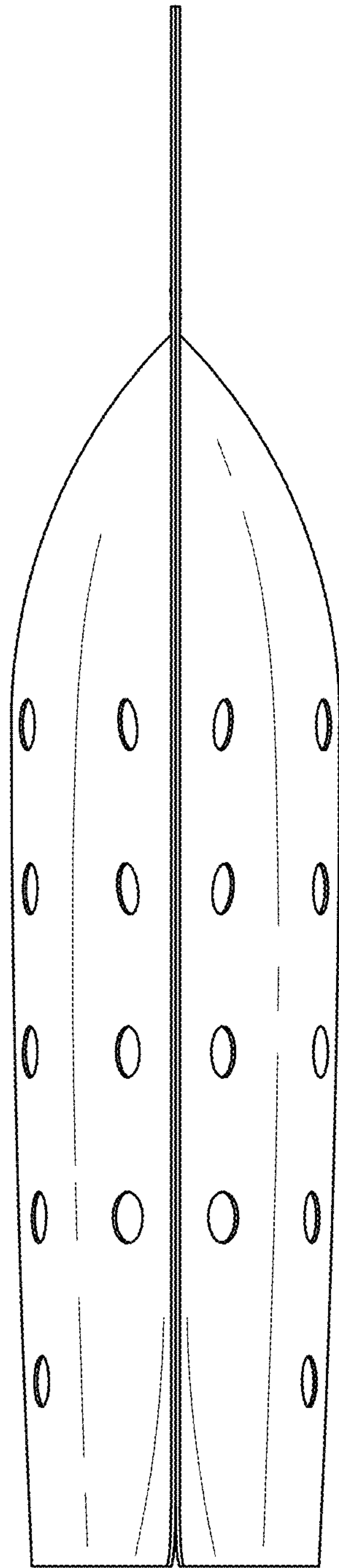


FIG. 13

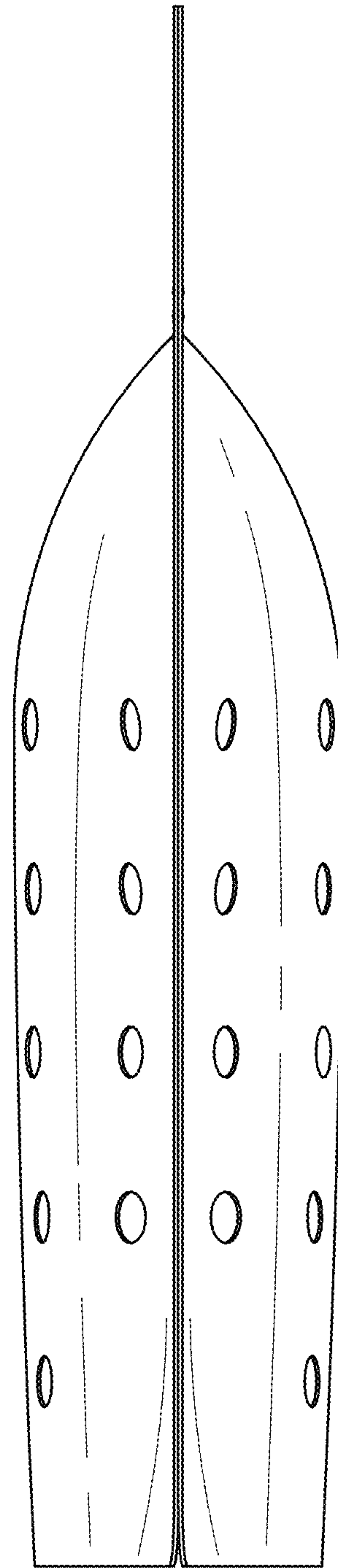


FIG. 14