



US00D764306S

(12) **United States Design Patent**  
**Staab et al.**

(10) **Patent No.:** **US D764,306 S**  
(45) **Date of Patent:** **\*\* Aug. 23, 2016**

(54) **BOTTLE**

(74) *Attorney, Agent, or Firm* — Norton Rose Fulbright US LLP

(71) Applicant: **MARY KAY INC.**, Dallas, TX (US)

(57) **CLAIM**

The ornamental design for a bottle, as shown and described.

(72) Inventors: **Jenny DeMarco Staab**, Frisco, TX (US); **Tammy Schriewer**, Dallas, TX (US)

**DESCRIPTION**

(73) Assignee: **Mary Kay Inc.**, Addison, TX (US)

FIG. 1 is a top perspective view of a first embodiment of a bottle illustrating our design;

(\*\*) Term: **14 Years**

FIG. 2 is a front view of the bottle shown in FIG. 1;

(21) Appl. No.: **29/504,943**

FIG. 3 is a back view of the bottle shown in FIG. 1;

(22) Filed: **Oct. 10, 2014**

FIG. 4 is a left side view of the bottle shown in FIG. 1;

(51) **LOC (10) Cl.** ..... **09-01**

FIG. 5 is a right side view of the bottle shown in FIG. 1;

(52) **U.S. Cl.**

FIG. 6 is a top view of the bottle shown in FIG. 1;

USPC ..... **D9/652**; D9/661; D9/558; D9/520

FIG. 7 is a bottom view of the bottle shown in FIG. 1;

(58) **Field of Classification Search**

FIG. 8 is a top perspective view of a second embodiment of a bottle illustrating our design that differs from the first embodiment of FIGS. 1-7 in that the cap is shown in dashed lines, otherwise the design of the bottle is the same as the first embodiment;

USPC ..... D3/270, 271.1-271.4; D7/514-520, D7/599, 604, 613, 619.2, 623, 628;

FIG. 9 is a top perspective view of a third embodiment of a bottle illustrating our design;

D9/600, 652, 667, 655-664, 500,

FIG. 10 is a front view of the bottle shown in FIG. 9;

D9/502-505, 516, 537-546, 549-553,

FIG. 11 is a back view of the bottle shown in FIG. 9;

D9/556-557, 574-575; 206/457, 459.5,

FIG. 12 is a left side view of the bottle shown in FIG. 9;

206/527; 215/381-384, 400; 220/288

FIG. 13 is a right side view of the bottle shown in FIG. 9;

CPC .... B65D 5/4258; B65D 81/60; B65D 81/365;

FIG. 14 is a top view of the bottle shown in FIG. 9;

B65D 81/366; B65D 81/368; B65D 2203/00;

FIG. 15 is a bottom view of the bottle shown in FIG. 9; and,

B65D 2203/02

FIG. 16 is a top perspective view of a fourth embodiment of a bottle illustrating our design that differs from the third embodiment of FIGS. 9-15 in that the cap is shown in dashed lines, otherwise the design of the bottle is the same as the third embodiment.

See application file for complete search history.

The dashed lines in FIGS. 8 and 16 form no part of the claimed design. All other surfaces and portions of the bottle in FIGS. 1-16 not shown in the figures or otherwise described in the specification form no part of the claimed design.

(56) **References Cited**

U.S. PATENT DOCUMENTS

D92,911 S \* 7/1934 Kennedy ..... D9/545  
D181,715 S \* 12/1957 DuPree ..... D9/662

(Continued)

*Primary Examiner* — Sandra Morris

**1 Claim, 12 Drawing Sheets**



(56)

References Cited

U.S. PATENT DOCUMENTS

D197,919 S	4/1964	Runyon	D9/500	D491,066 S	6/2004	Le Goff	D9/500
D213,355 S	2/1969	Kneapler	D9/558	D497,809 S	11/2004	Fenton et al.	D9/500
D259,397 S	6/1981	Kerns	D9/503	D498,422 S *	11/2004	Theunynck	D9/550
D276,889 S	12/1984	Biesecker	D9/500	D499,338 S	12/2004	Mulder et al.	D9/500
D281,670 S	12/1985	Thieffry	D9/503	D502,110 S *	2/2005	Theunynck	D9/550
D310,325 S *	9/1990	Moglia	D9/525	D504,070 S	4/2005	Mohary et al.	D9/571
D315,097 S	3/1991	Sgariboldi	D9/567	D507,182 S	7/2005	Maddy	D9/504
D315,293 S *	3/1991	Moglia	D9/662	D508,208 S	8/2005	Ozaki et al.	D9/688
D315,499 S	3/1991	Durand	D9/574	D509,433 S	9/2005	Trayser et al.	D9/501
D322,029 S	12/1991	Caputo	D9/558	D530,622 S	10/2006	Geiberger	D9/688
D332,053 S	12/1992	Sabbia	D9/549	D536,976 S	2/2007	Ciulla et al.	D9/516
D336,046 S	6/1993	Donoghue	D9/547	D553,499 S	10/2007	Lavelli	D9/500
D342,453 S	12/1993	Segati	D9/574	D554,519 S	11/2007	Varlet	D9/558
D347,571 S	6/1994	Wacker	D9/688	D556,038 S	11/2007	Chupak	D9/500
D348,004 S	6/1994	Grassl	D9/500	D564,882 S	3/2008	Crawford et al.	D9/516
D349,857 S	8/1994	Lonczak et al.	D9/558	D568,745 S	5/2008	Bradley et al.	D9/500
D353,771 S	12/1994	Klitsner	D9/500	D573,470 S	7/2008	Bradley et al.	D9/516
D353,775 S	12/1994	Thompson	D9/545	D575,154 S	8/2008	Andrews et al.	D9/500
D357,412 S	4/1995	Vasas	D9/503	D576,495 S	9/2008	Slubski	D9/537
D362,187 S	9/1995	Thompson	D9/500	D577,599 S	9/2008	Moretti	D9/537
D375,052 S	10/1996	Lathrop et al.	D9/558	D585,745 S	2/2009	Honkawa	D9/500
D375,675 S	11/1996	Luzzi et al.	D9/689	D587,591 S	3/2009	Crawford	D9/563
D375,895 S	11/1996	Miller	D9/691	D589,358 S	3/2009	Crawford	D9/563
D378,665 S	4/1997	Fenton et al.	D9/558	D589,799 S	4/2009	McEwan	D9/503
D380,390 S	7/1997	Varlet	D9/558	D591,596 S	5/2009	Rica	D9/500
D381,915 S	8/1997	Dinand	D9/545	D593,860 S	6/2009	Bradley et al.	D9/500
D386,090 S	11/1997	De Giovellina	D9/544	D594,335 S	6/2009	Voss et al.	D9/519
D393,596 S	4/1998	Kotyuk	D9/558	D596,950 S	7/2009	Nevins et al.	D9/690
D398,242 S	9/1998	Fling et al.	D9/545	D601,424 S *	10/2009	Rica	D9/500
D404,312 S	1/1999	Granai	D9/558	D603,706 S	11/2009	Wolff et al.	D9/500
D414,427 S	9/1999	Maddy	D9/558	D604,633 S	11/2009	Stearns	D9/674
D415,032 S	10/1999	Gaskey	D9/522	D607,742 S	1/2010	Kuzma et al.	D9/558
D419,454 S	1/2000	Konkenge et al.	D9/574	D610,021 S	2/2010	Kinoshita et al.	D9/686
D421,572 S	3/2000	Herrmann	D9/503	D613,174 S	4/2010	Pecora	D9/529
D424,444 S	5/2000	Lefebvre	D9/503	D624,417 S	9/2010	Bentley et al.	D9/500
D425,432 S	5/2000	Lewin	D9/558	D629,692 S	12/2010	Lauret	D9/500
D426,768 S	6/2000	Gattineri	D9/690	D633,798 S	3/2011	Cresswell et al.	D9/500
D428,579 S	7/2000	Waitzenegger	D9/544	D633,799 S	3/2011	Cresswell et al.	D9/500
D429,649 S *	8/2000	Kotyuk	D9/545	D635,856 S	4/2011	Lauret	D9/500
6,095,378 A	8/2000	Pott et al.	222/402.1	D635,857 S	4/2011	Lauret	D9/500
D431,779 S	10/2000	Nosella	D9/520	D640,559 S	6/2011	Llerena	D9/500
D434,663 S	12/2000	Jones et al.	D9/516	D642,058 S	7/2011	Runningen	D9/500
D434,670 S	12/2000	Bernard	D9/545	D643,743 S	8/2011	Yu	D9/689
D437,559 S	2/2001	Fenton et al.	D9/558	D646,572 S	10/2011	Koeleman	D9/500
D438,120 S	2/2001	Flurer et al.	D9/558	D646,583 S	10/2011	Mongeon et al.	D9/689
D440,499 S	4/2001	Bernard	D9/516	D651,086 S	12/2011	Gullickson et al.	D9/504
D443,821 S	6/2001	Bakic	D9/500	D653,958 S	2/2012	Lauret	D9/558
D444,389 S	7/2001	Bakic	D9/539	D655,172 S	3/2012	Brooks et al.	D9/522
D444,392 S	7/2001	Dalmau	D9/549	D658,993 S	5/2012	Gill et al.	D9/500
D445,328 S	7/2001	Boussiquet et al.	D9/691	D659,010 S	5/2012	Oommen et al.	D9/600
D448,300 S	9/2001	Walters et al.	D9/520	D670,177 S *	11/2012	Lario Rivas	D9/500
D449,230 S	10/2001	Harris et al.	D9/558	D671,004 S	11/2012	Kelly et al.	D9/500
D459,657 S	7/2002	Estep	D9/500	D671,838 S	12/2012	Potts	D9/545
D460,348 S	7/2002	Crawford et al.	D9/682	D673,058 S	12/2012	Park	D9/724
D468,214 S	1/2003	Kuzma et al.	D9/558	D673,059 S	12/2012	Park	D9/724
D479,134 S *	9/2003	Murata	D9/551	D675,533 S	2/2013	Oommen et al.	D9/539
D489,627 S	5/2004	Klitsner et al.	D9/502	D675,923 S *	2/2013	Bru	D9/652
D490,321 S	5/2004	Durant et al.	D9/551	D682,697 S	5/2013	Gonzalez Rodriguez	D9/500
				D684,065 S *	6/2013	Wiseman	D9/500
				D696,955 S *	1/2014	Kelly	D9/522

\* cited by examiner





FIG. 1



FIG. 2



FIG. 3

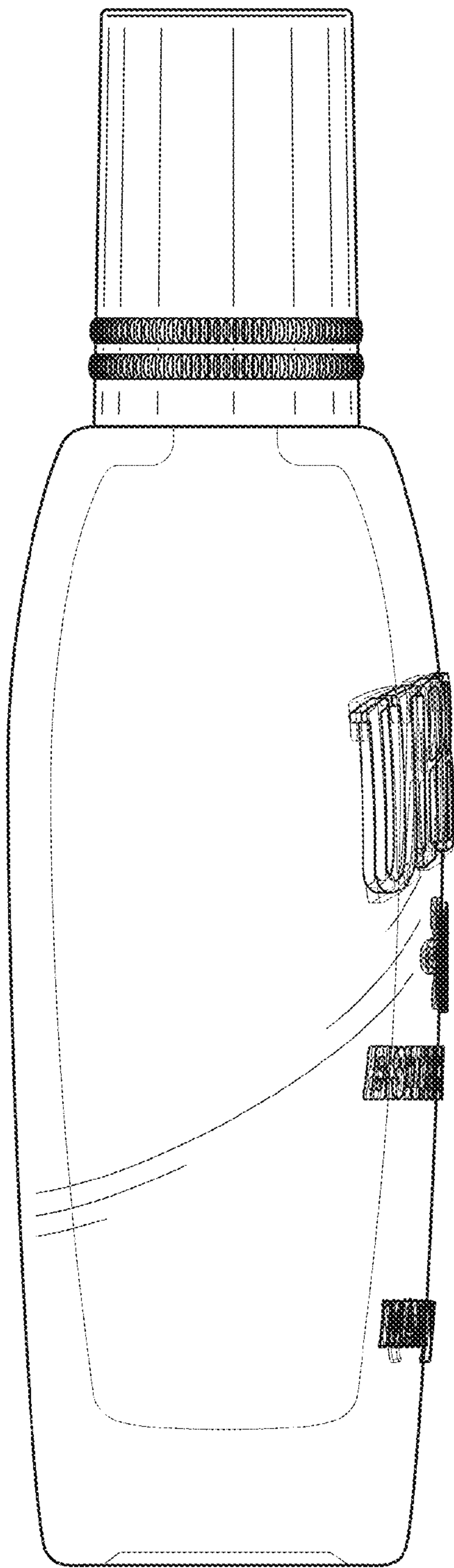


FIG. 4

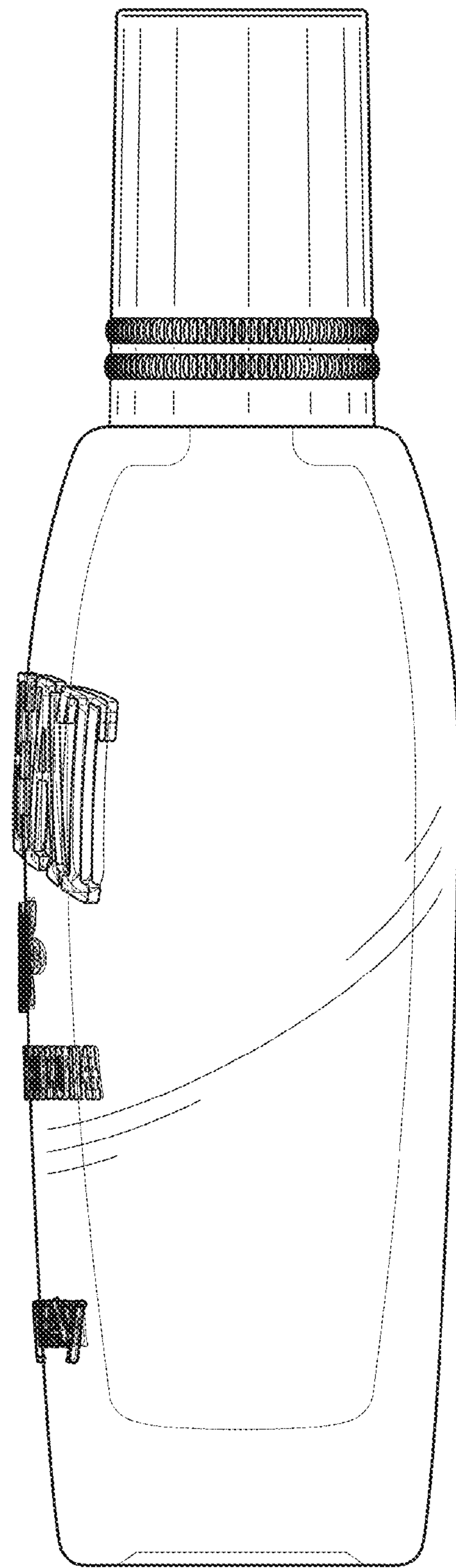


FIG. 5



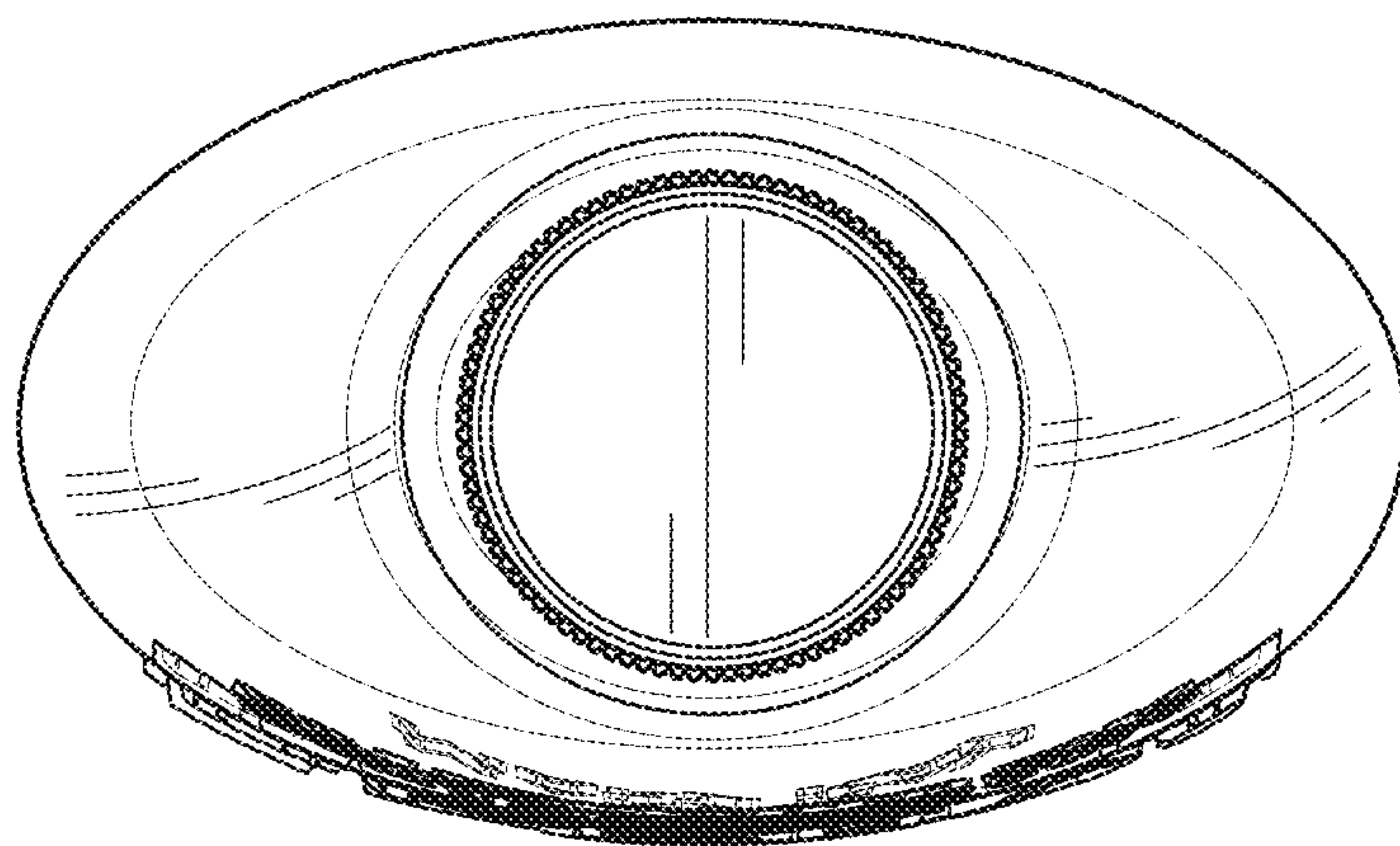


FIG. 6

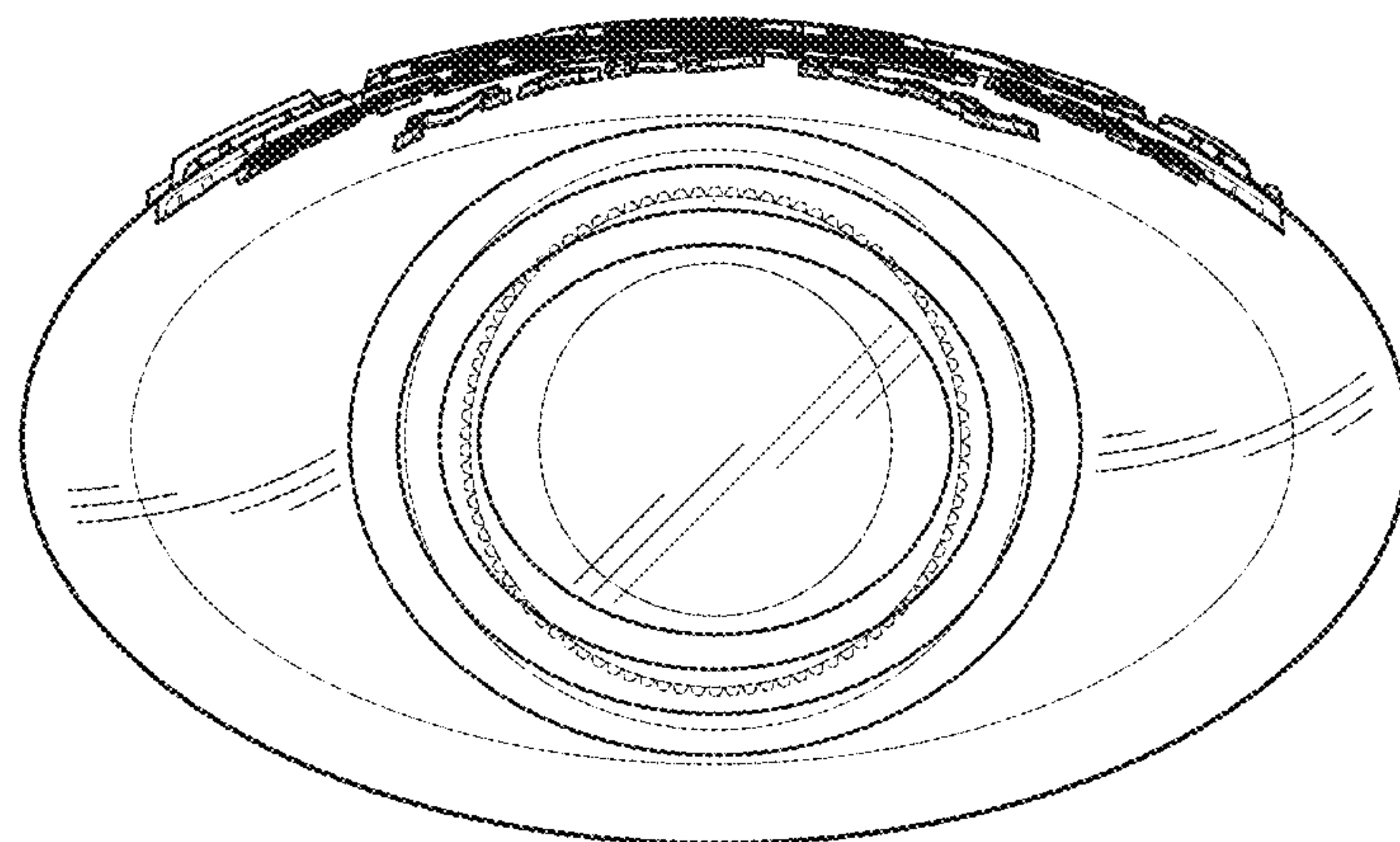


FIG. 7



FIG. 8





FIG. 9



FIG. 10



FIG. 11



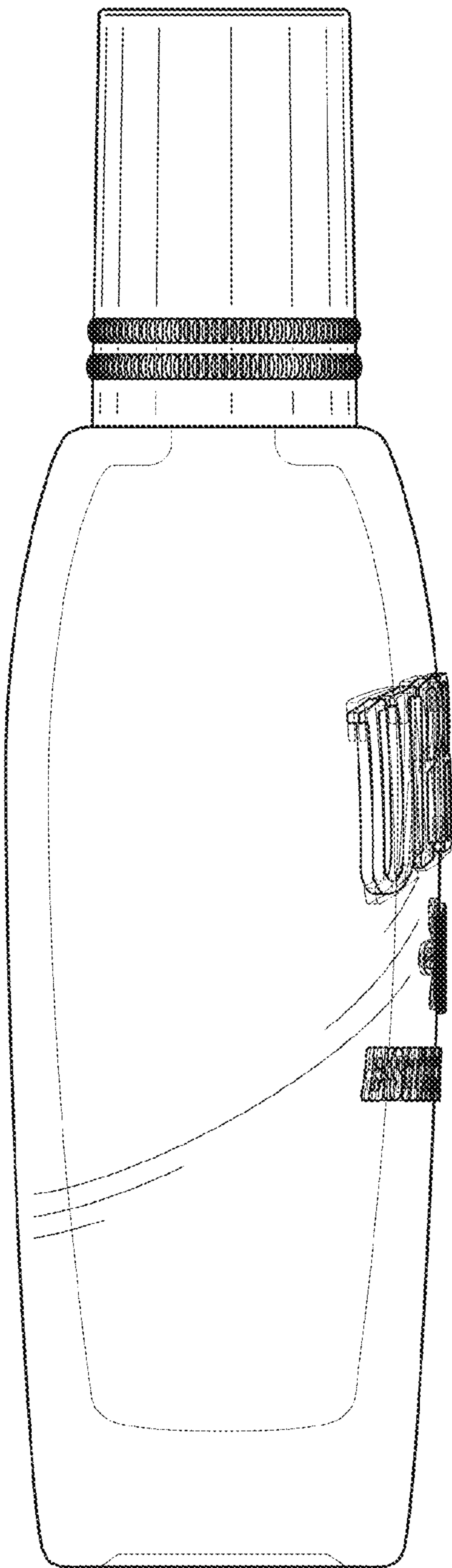


FIG. 12

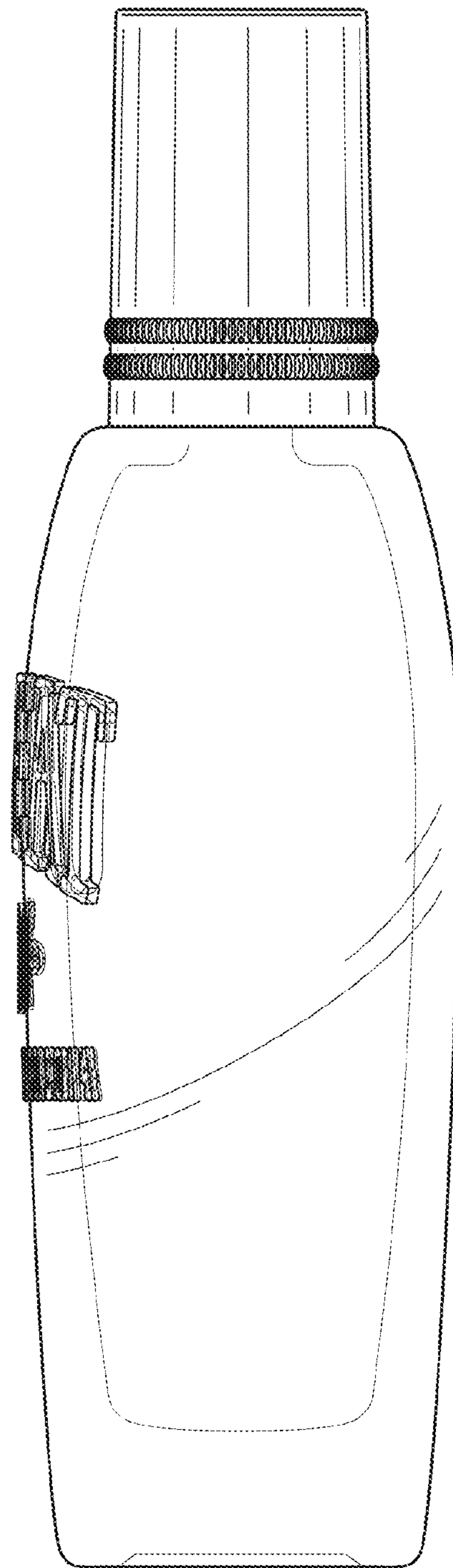


FIG. 13

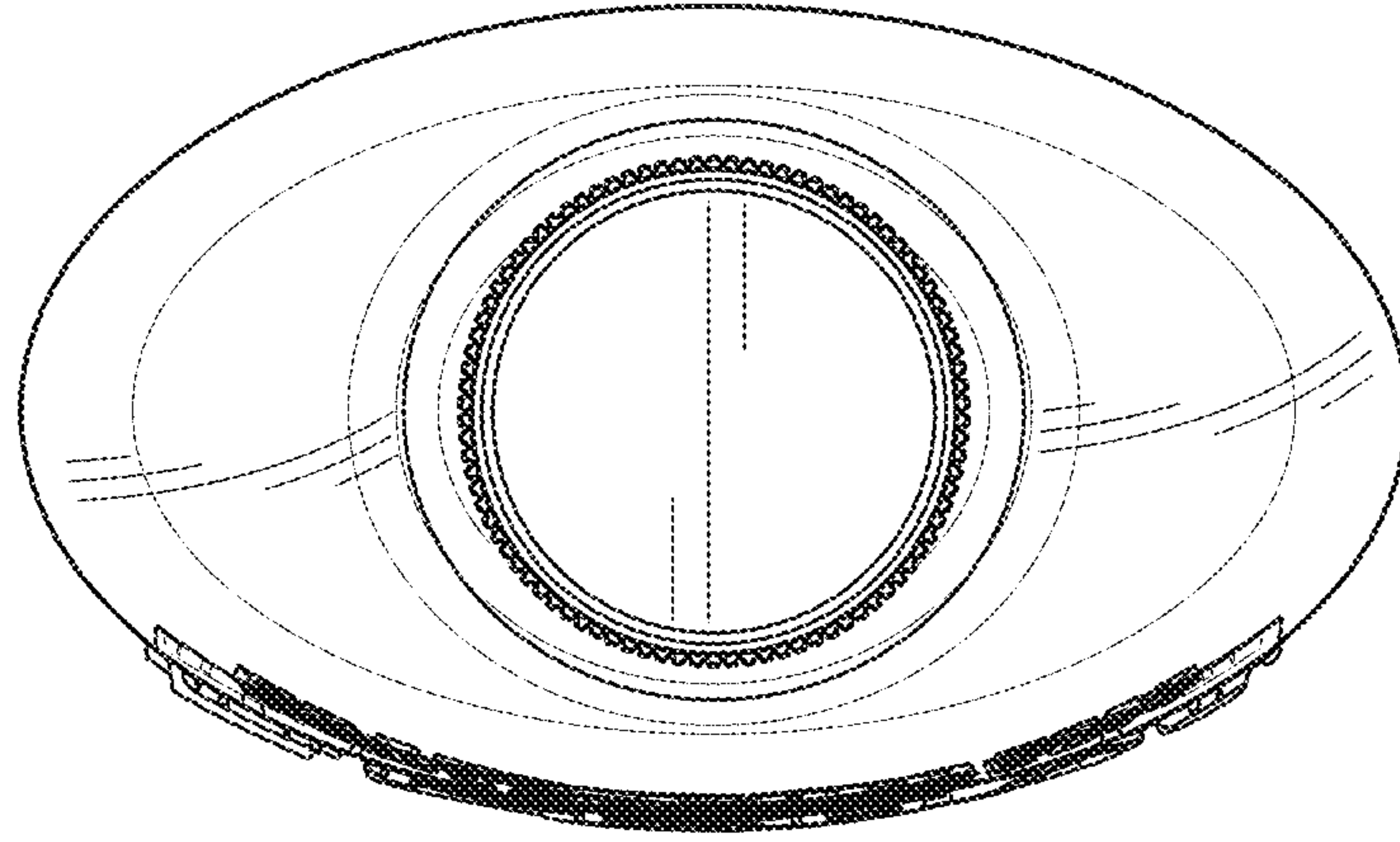


FIG. 14

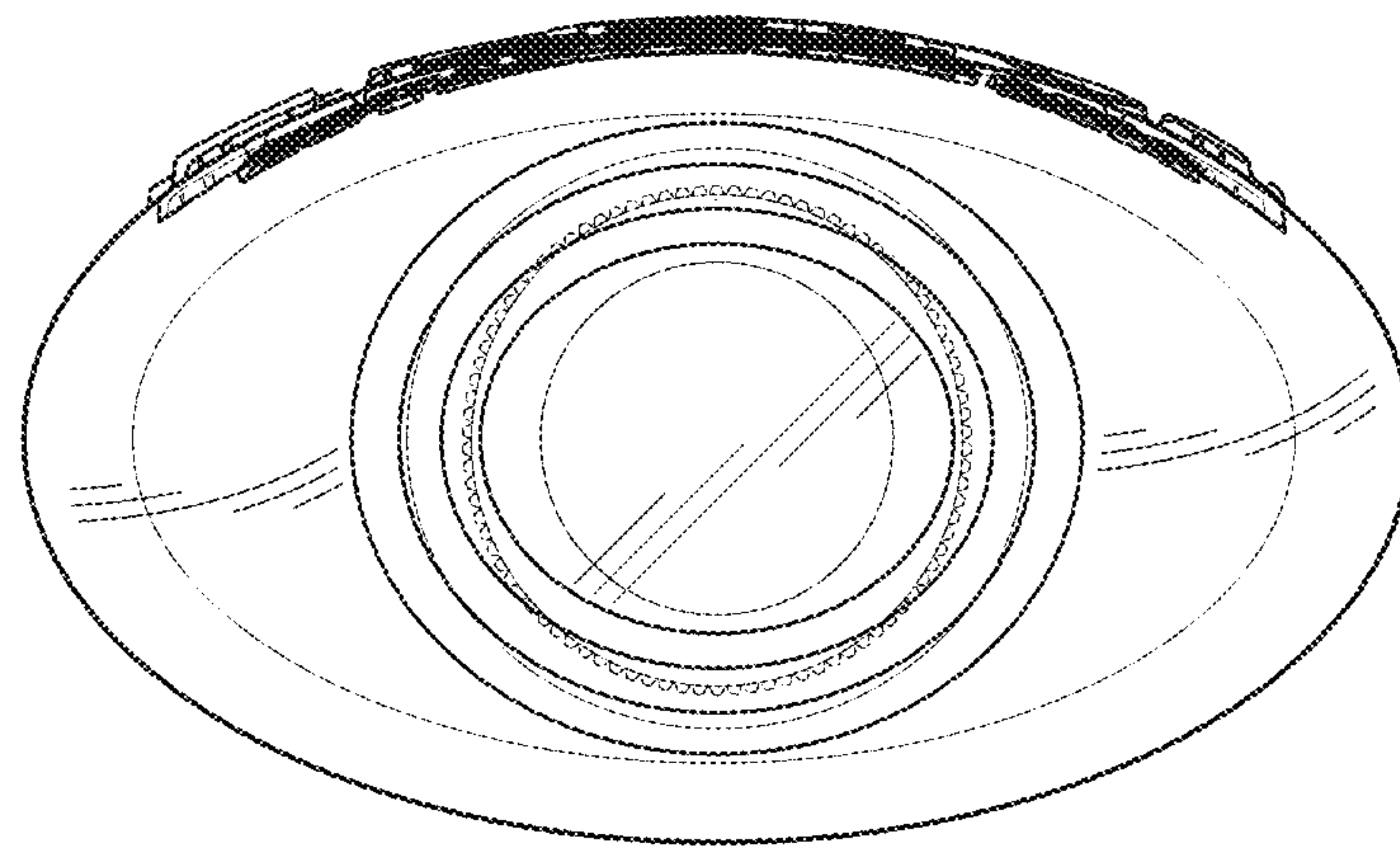


FIG. 15



FIG. 16