

US00D764301S

(12) **United States Design Patent**
House et al.

(10) **Patent No.:** **US D764,301 S**

(45) **Date of Patent:** **** *Aug. 23, 2016**

(54) **BOTTLE FOR A DIETARY SUPPLEMENT**

(56) **References Cited**

(71) Applicant: **Novartis Consumer Health SA,**
Prangins (CH)

(72) Inventors: **Christopher House,** Berkeley Heights,
NJ (US); **Timothy James,** Brooklyn, NY
(US)

U.S. PATENT DOCUMENTS

D70,513 S *	7/1926	Smith	D9/548
D85,838 S *	12/1931	Noble	D9/520
D241,416 S *	9/1976	Aul et al.	D9/520
D247,847 S	5/1978	Kretz	
D271,665 S *	12/1983	Garwood et al.	D9/520
D279,456 S *	7/1985	Fortuna	D9/529
D288,964 S *	3/1987	Larkin et al.	D24/224
D291,828 S *	9/1987	Larkin et al.	D24/224
D298,012 S *	10/1988	Larkin et al.	D24/224
D307,238 S	4/1990	May	
D307,865 S *	5/1990	Conner et al.	D9/558
D336,855 S *	6/1993	Tacconelli	D9/558
D346,115 S *	4/1994	Meisner et al.	D9/529
5,383,558 A	1/1995	Wilkinson et al.	
5,803,290 A	9/1998	Bongiorno	
5,900,293 A	5/1999	Zettle	
D418,758 S	1/2000	Yucknut	
D422,218 S	4/2000	Ohchi et al.	
D429,649 S *	8/2000	Kotyuk	D9/552

(73) Assignee: **Novartis Consumer Healthcare, S.A.,**
Prangins (CH)

(*) Notice: This patent is subject to a terminal disclaimer.

(**) Term: **14 Years**

(21) Appl. No.: **29/457,744**

(22) Filed: **Jun. 12, 2013**

(51) **LOC (10) Cl.** **09-01**

(52) **U.S. Cl.**
USPC **D9/560; D9/559; D9/564; D9/574**

(58) **Field of Classification Search**
USPC D3/202, 203.1, 901, 201, 203.2;
D4/116; D7/313, 509-511, 590-560,
D7/601-612, 300, 507, 584, 587, 619.1;
D9/504, 516, 520, 529, 530, 538, 539,
D9/541, 542, 543, 548, 552, 556, 558, 559,
D9/560, 569, 571, 574, 544, 564; D19/93;
D23/211.1-211.2, 366, 211-211.2;
D24/121, 124, 197, 224; 53/467;
220/646, 660, 675; 215/396, 398,
215/381-385

CPC A61J 1/03; A61J 1/05; B65D 1/02;
B65D 1/0223; B65D 1/08; B65D 1/10;
A47G 19/22; A47G 19/2205; A47G 19/2266

See application file for complete search history.

(Continued)

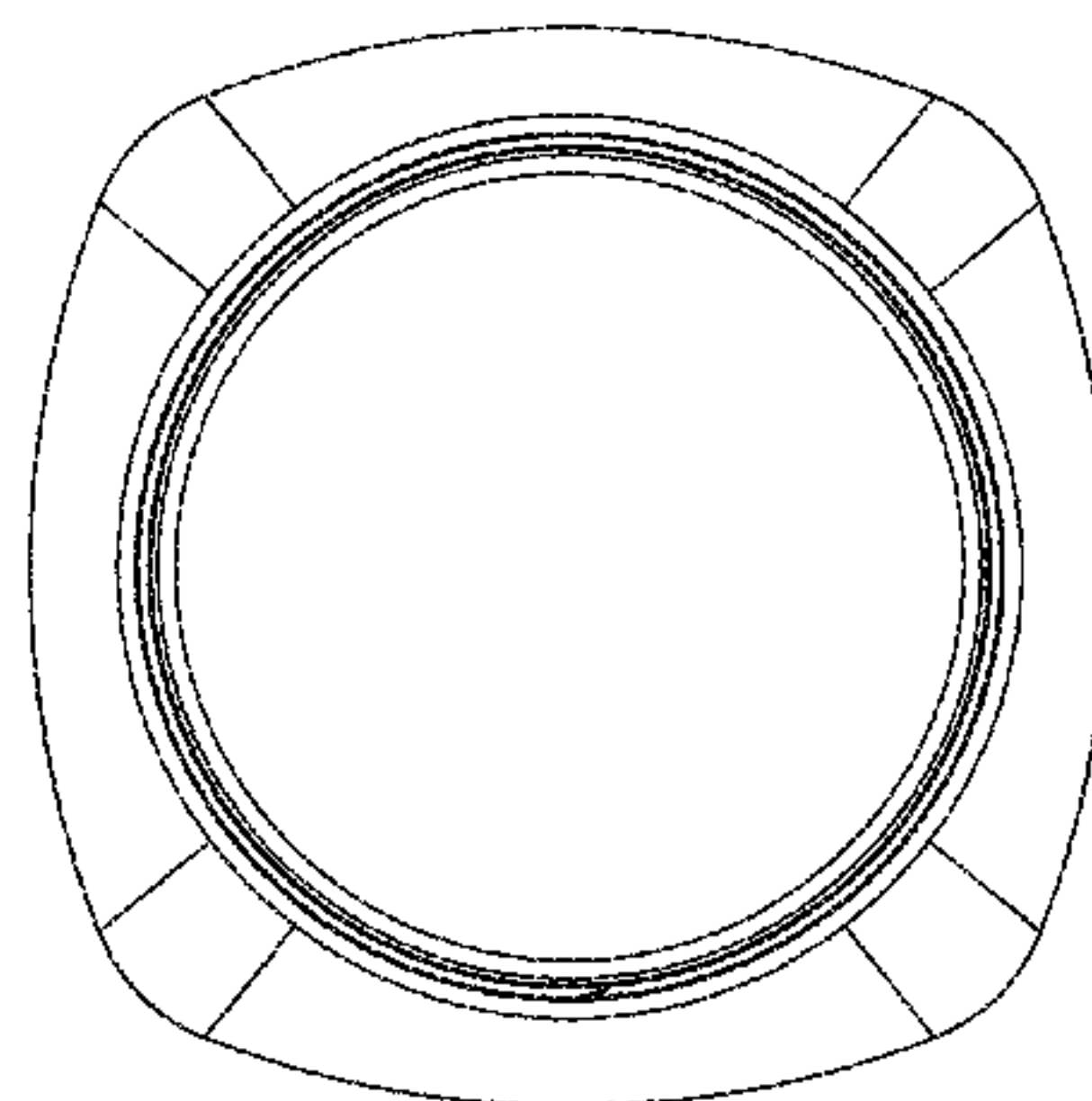
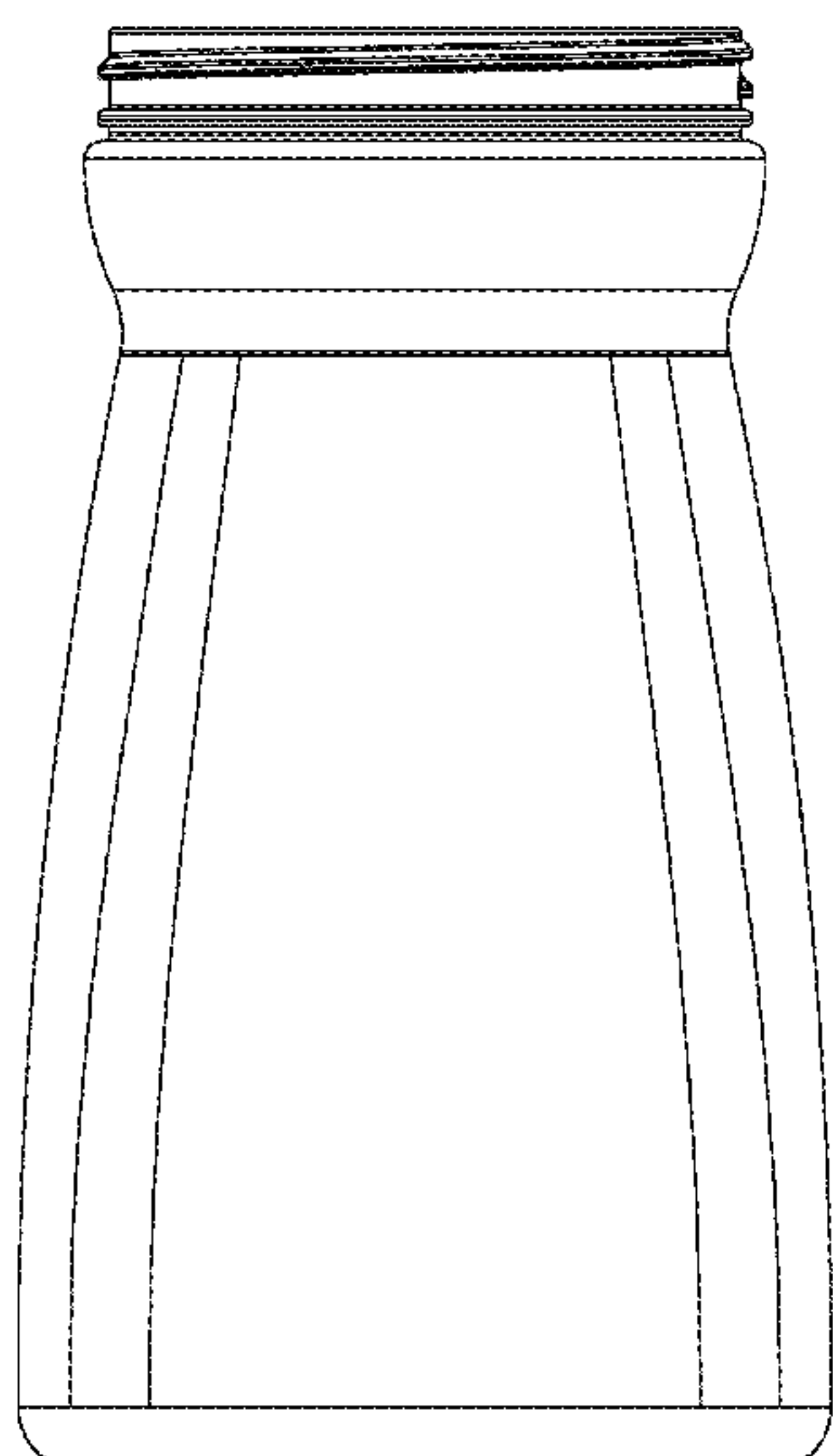
Primary Examiner — Thomas Johannes
Assistant Examiner — Catherine Posthauer
(74) *Attorney, Agent, or Firm* — Alison B. Kessler;
Theodore R. Furman

(57) **CLAIM**
The ornamental design for a bottle for dietary supplement, as shown and described.

DESCRIPTION

FIG. 1 is a left side plan view of a bottle for a dietary supplement, showing our new design;
FIG. 2 is a front side plan view thereof;
FIG. 3 is a right side plan view thereof;
FIG. 4 is a back side plan view thereof;
FIG. 5 is a top side plan view thereof; and,
FIG. 6 is a bottom side plan view thereof.
The broken lines, shown on FIG. 6, are for the purpose of illustrating portions of the article that form no part of the claimed design.

1 Claim, 6 Drawing Sheets



(56)

References Cited

U.S. PATENT DOCUMENTS

D430,804 S *	9/2000	Bulsink	D9/543	D529,804 S *	10/2006	Lohrman	D9/453
D438,116 S	2/2001	Nosella		7,178,687 B1	2/2007	Manderfield, Jr. et al.	
D445,337 S	7/2001	Croft et al.		D587,123 S *	2/2009	Bourne	D9/539
D447,418 S	9/2001	Bezek et al.		D598,770 S *	8/2009	Delfino, Jr.	D9/538
D452,440 S	12/2001	Bezek et al.		7,581,654 B2	9/2009	Stowitts	
D452,824 S	1/2002	Bezek et al.		D635,458 S *	4/2011	Braun et al.	D9/516
D456,609 S *	5/2002	Blom et al.	D4/116	D689,336 S *	9/2013	Slocumb et al.	D7/590
6,472,007 B2	10/2002	Bezek et al.		D694,587 S *	12/2013	Slocumb et al.	D7/590
D471,458 S *	3/2003	Booth et al.	D9/504	D717,660 S *	11/2014	Schmertz, Jr.	D9/552
6,841,262 B1	1/2005	Beck et al.		2007/0045216 A1	3/2007	Gami et al.	
D519,843 S *	5/2006	Forte	D9/556	2011/0108515 A1	5/2011	Gill et al.	
				2013/0097973 A1 *	4/2013	McCoy et al.	53/467
				2013/0320029 A1 *	12/2013	Yourist et al.	220/646

* cited by examiner

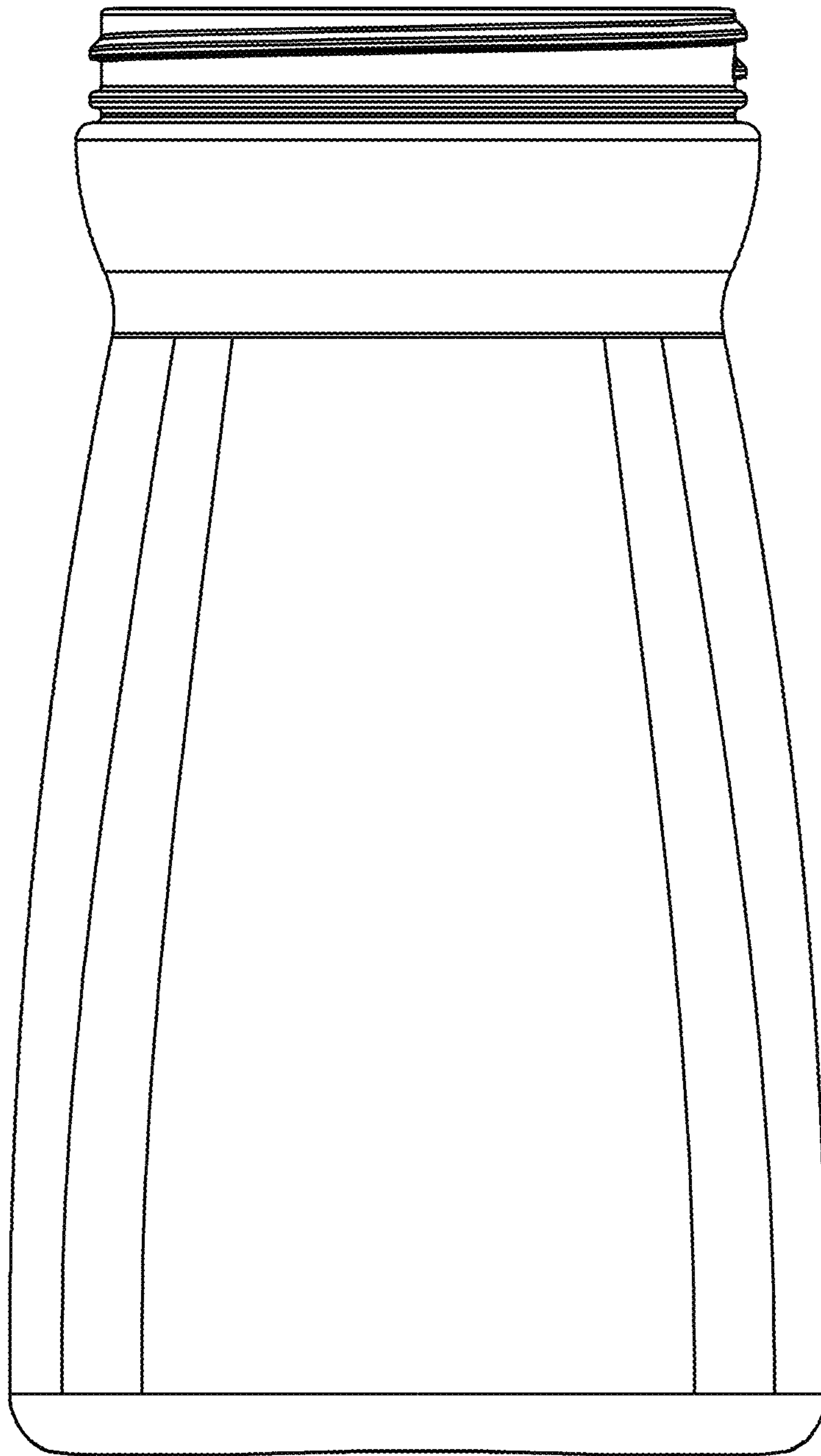


FIG. 1

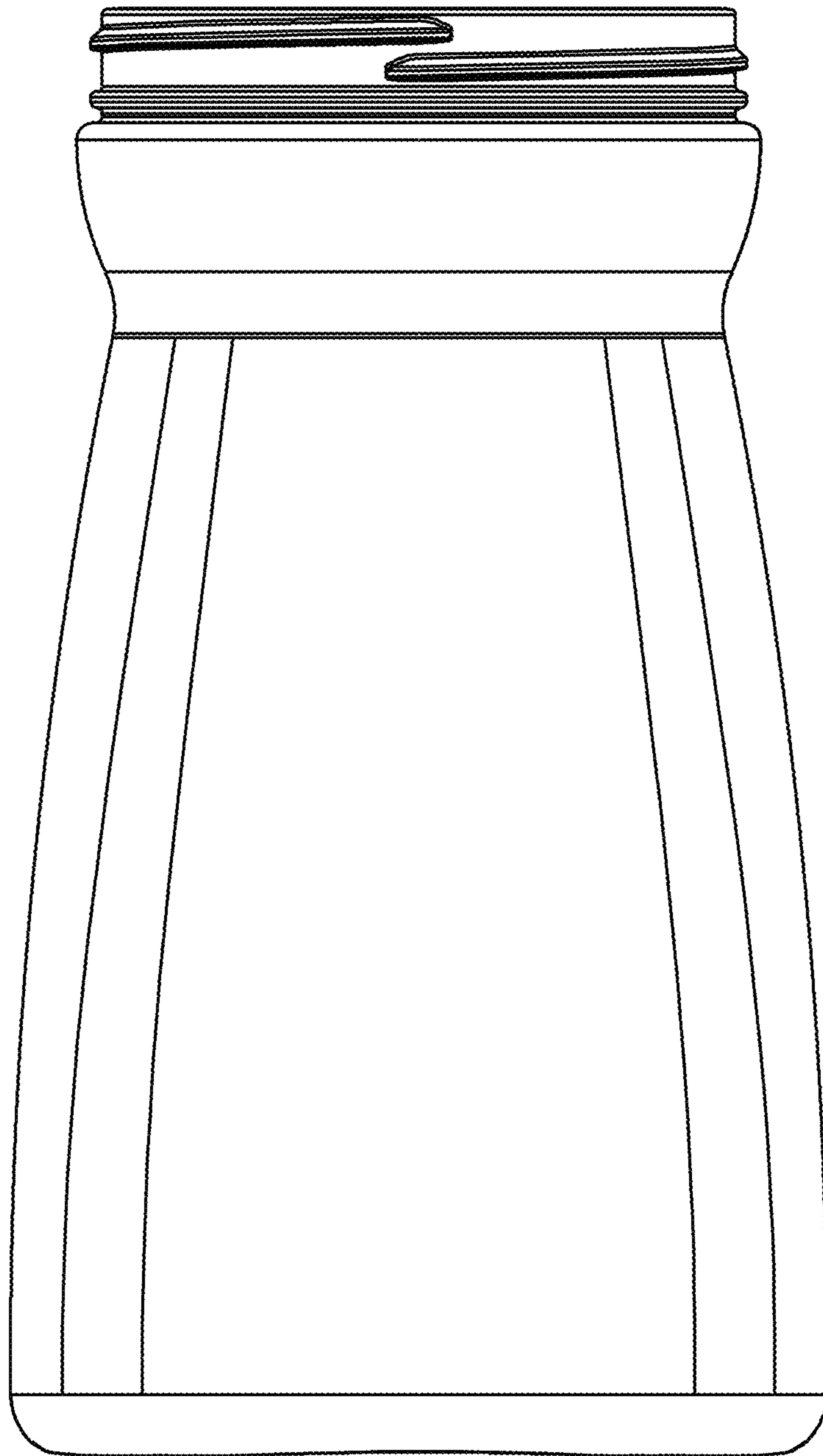


FIG. 2

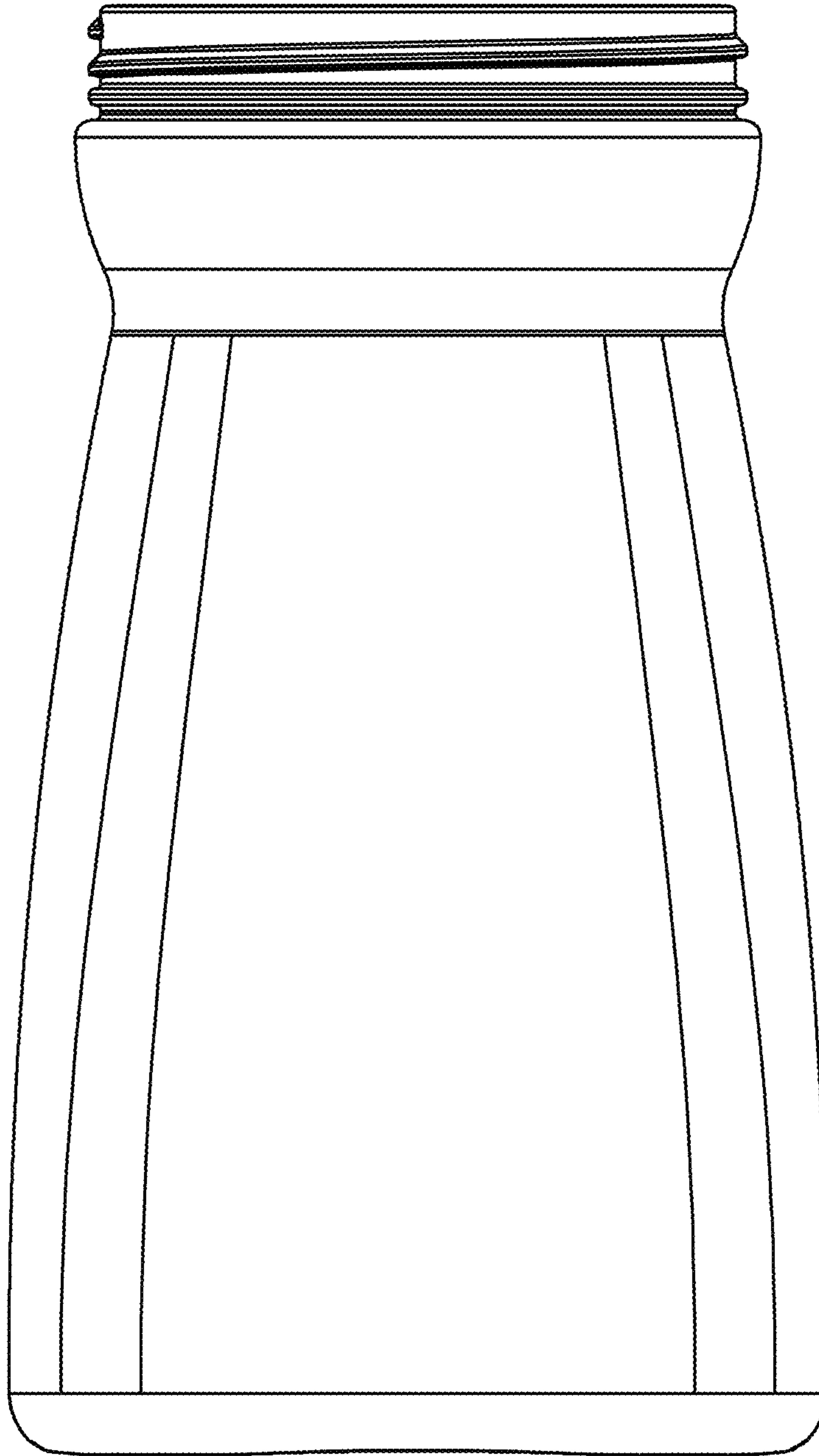


FIG. 3

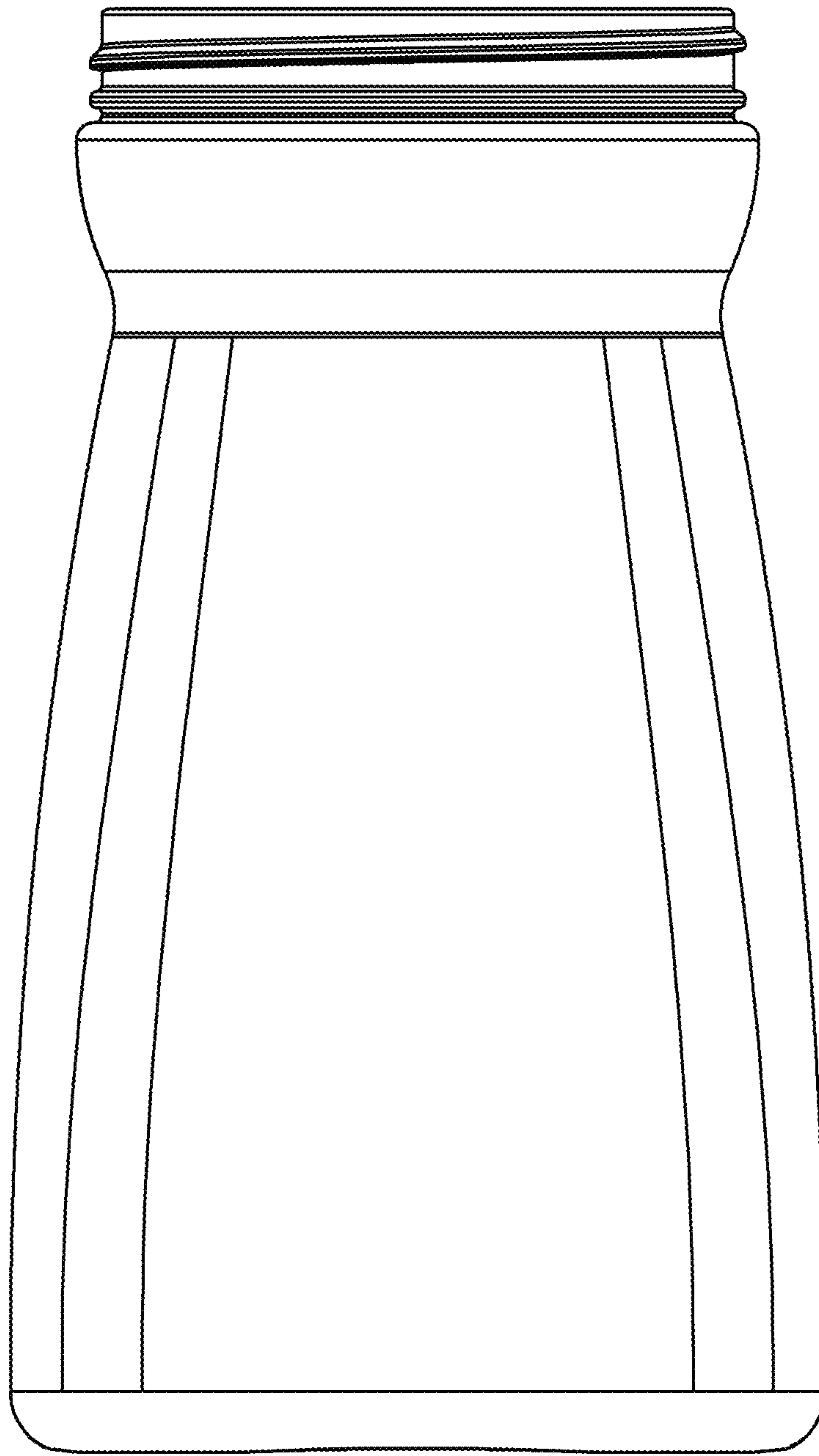


FIG. 4

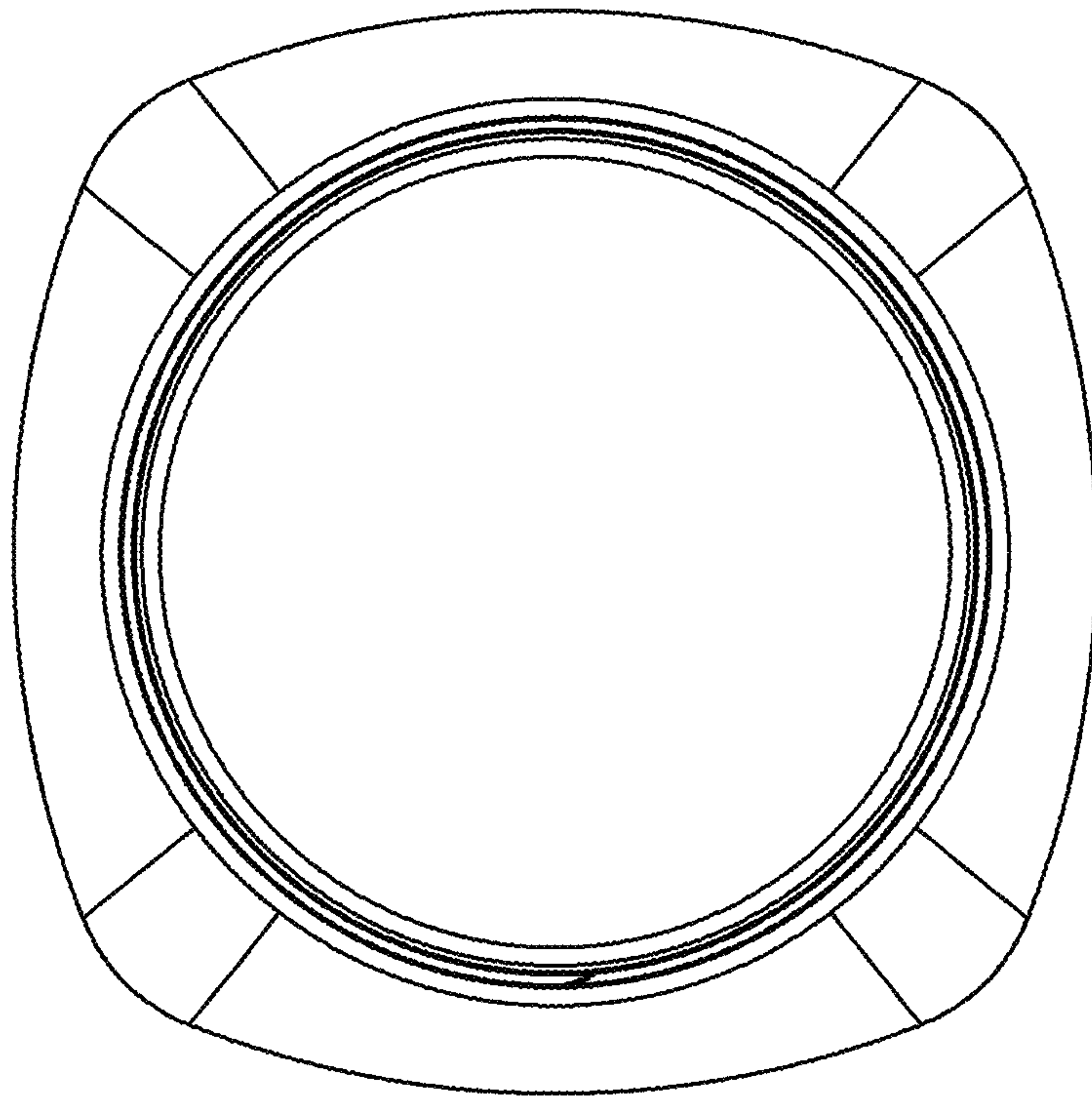


FIG. 5

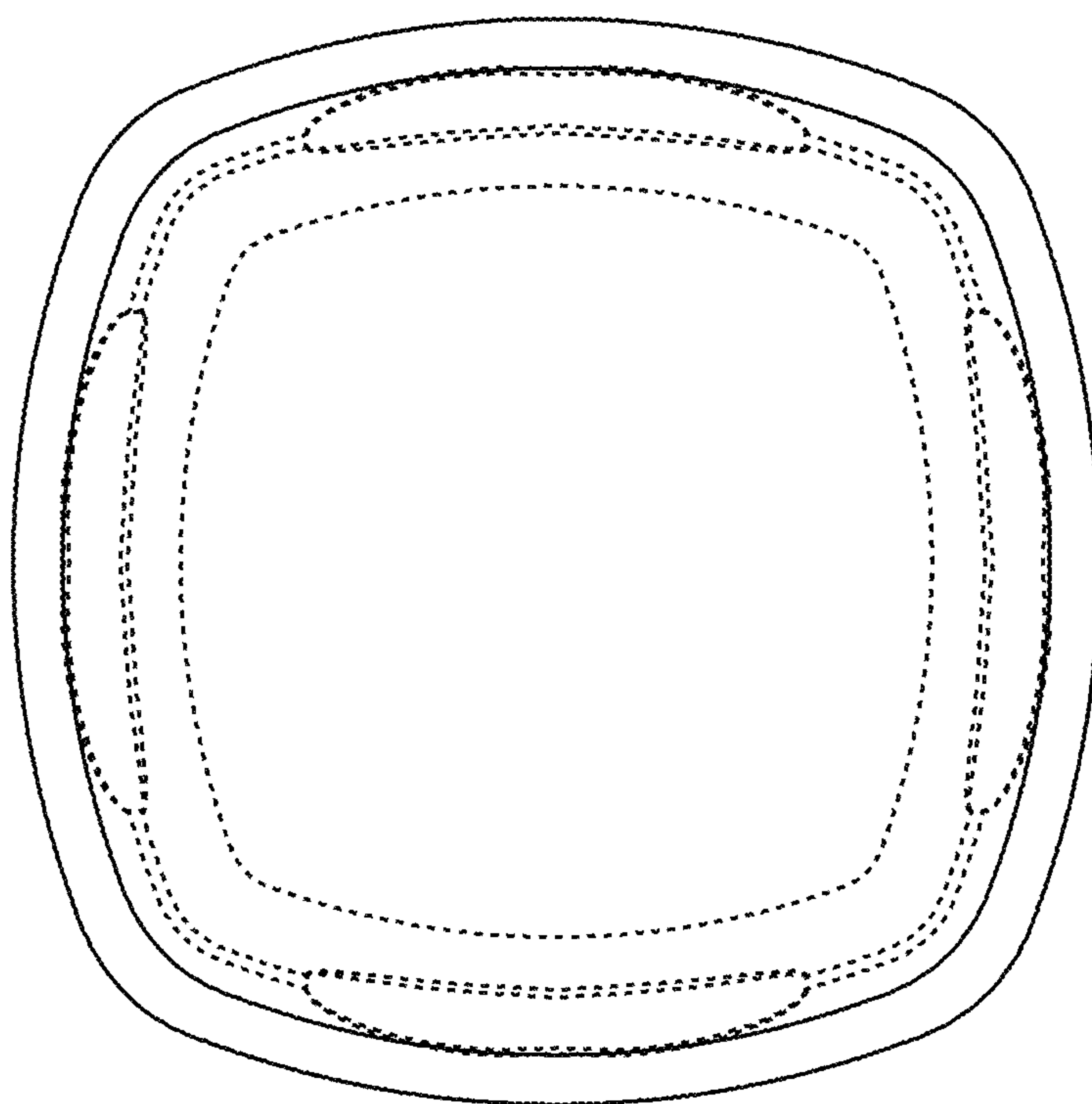


FIG. 6