



US00D764291S

(12) **United States Design Patent**
Lemke

(10) **Patent No.:** **US D764,291 S**
(45) **Date of Patent:** **** Aug. 23, 2016**

(54) **LID FOR A CONTAINER**

(71) Applicant: **PCO Group GmbH**,
Garmisch-Partenkirchen (DE)

(72) Inventor: **Stefan Lemke**, Pogeez (DE)

(73) Assignee: **PCO Group GmbH**,
Garmisch-Partenkirchen (DE)

(**) Term: **14 Years**

(21) Appl. No.: **29/487,675**

(22) Filed: **Apr. 10, 2014**

(30) **Foreign Application Priority Data**

Oct. 10, 2013 (WO) 768004201

(51) **LOC (10) CL.** **09-01**

(52) **U.S. CL.**
USPC **D9/445; D9/436**

(58) **Field of Classification Search**
USPC D9/434, 435, 436, 440, 444, 445, 447,
D9/448, 449, 452, 454, 499; D7/392.1,
D7/396.2

CPC B65D 21/0219; B65D 2543/00046
See application file for complete search history.

(56) **References Cited**

U.S. PATENT DOCUMENTS

- | | | | | | |
|-----------|-----|---------|--------------|-------|-----------------------|
| 3,713,528 | A * | 1/1973 | Daenen | | A47G 19/28
206/525 |
| 4,074,827 | A | 2/1978 | Labe, III | | |
| 4,245,752 | A | 1/1981 | Prueher | | |
| D417,847 | S * | 12/1999 | Rush | | D7/629 |
| 6,164,485 | A | 12/2000 | Hilton | | |
| D452,437 | S * | 12/2001 | Bezek | | D9/502 |
| D490,709 | S * | 6/2004 | Bezek | | D9/444 |
| D531,503 | S * | 11/2006 | Beaver | | D9/445 |
| D584,615 | S * | 1/2009 | Maxwell-Wood | | D9/448 |
| D663,203 | S * | 7/2012 | Bodkin | | D9/436 |
| D668,153 | S * | 10/2012 | Mavin | | D9/443 |
| D691,848 | S * | 10/2013 | Trudeau | | D7/392.1 |
| D716,661 | S * | 11/2014 | Dubitsky | | D9/435 |

FOREIGN PATENT DOCUMENTS

DE	7534596	U	3/1976
GB	1086333		10/1967
GB	2388357		11/2003

OTHER PUBLICATIONS

Movie Mix: The perfect mix, pco-group.com, 2 pages. Found online Aug. 4, 2015 at <http://www.pco-group.com/gb/>.*

* cited by examiner

Primary Examiner — Robert M Spear

(74) *Attorney, Agent, or Firm* — Lempia Summerfield Katz LLC

(57) **CLAIM**

The ornamental design for a “lid for a container,” as shown and described.

DESCRIPTION

FIG. 1 shows a front, left side, and top perspective view of our new design for a lid for a container.

FIG. 2 shows a front view of the lid for a container shown in FIG. 1.

FIG. 3 shows a rear view of the lid for a container shown in FIG. 1.

FIG. 4 shows a left side view of the lid for a container shown in FIG. 1.

FIG. 5 shows a right side view of the lid for a container shown in FIG. 1.

FIG. 6 shows a top view of the lid for a container shown in FIG. 1.

FIG. 7 shows an environment view of the lid for a container shown in FIG. 1 installed on top of a container, the environment views also being the same for each of the second, third, and fourth embodiments of FIGS. 8, 14, and 21, respectively.

FIG. 8 shows a front, left side, and top perspective view of a second embodiment of our new design for a lid for a container.

FIG. 9 shows a front view of the lid for a container shown in FIG. 8.

FIG. 10 shows a rear view of the lid for a container shown in FIG. 8.

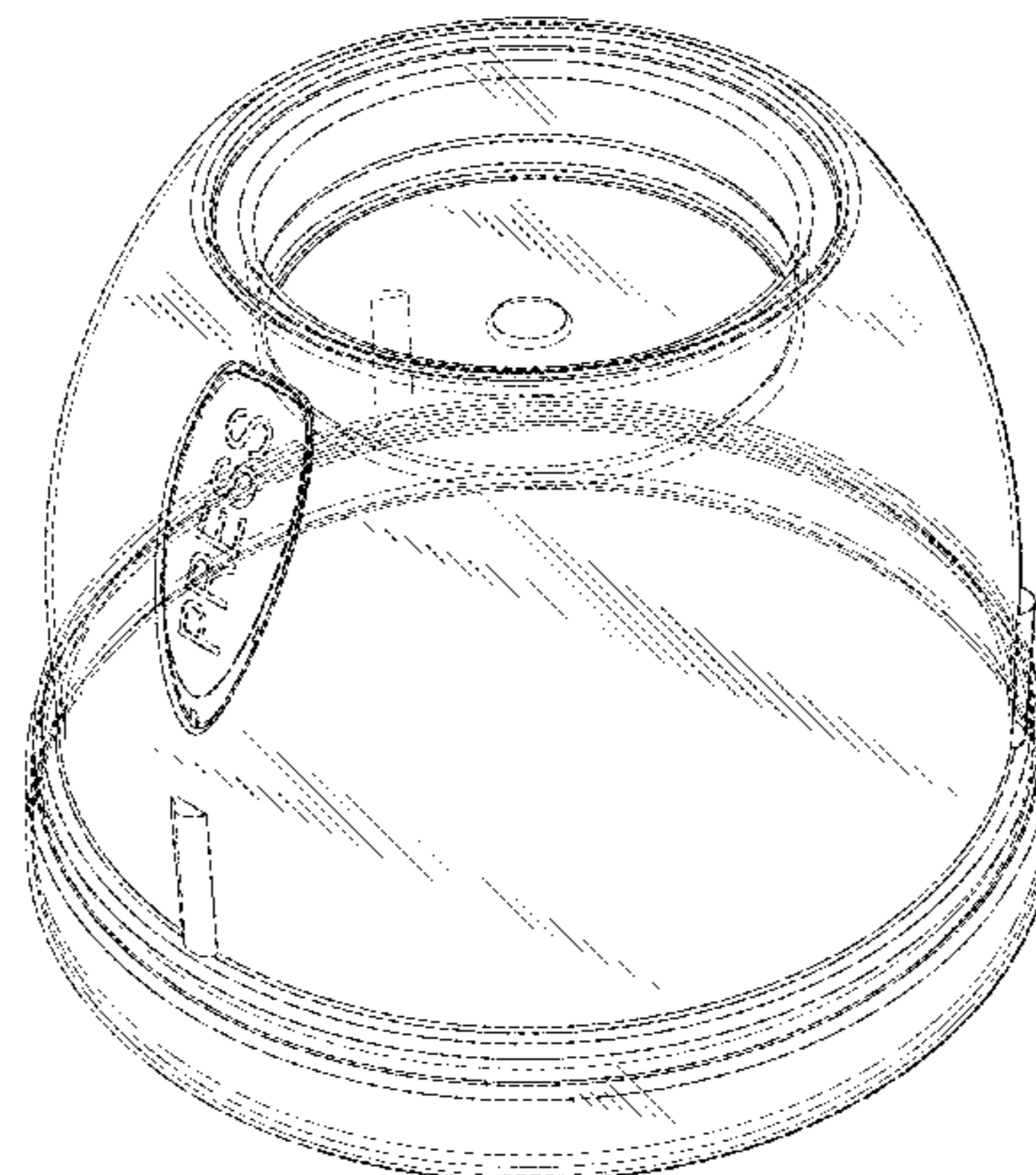
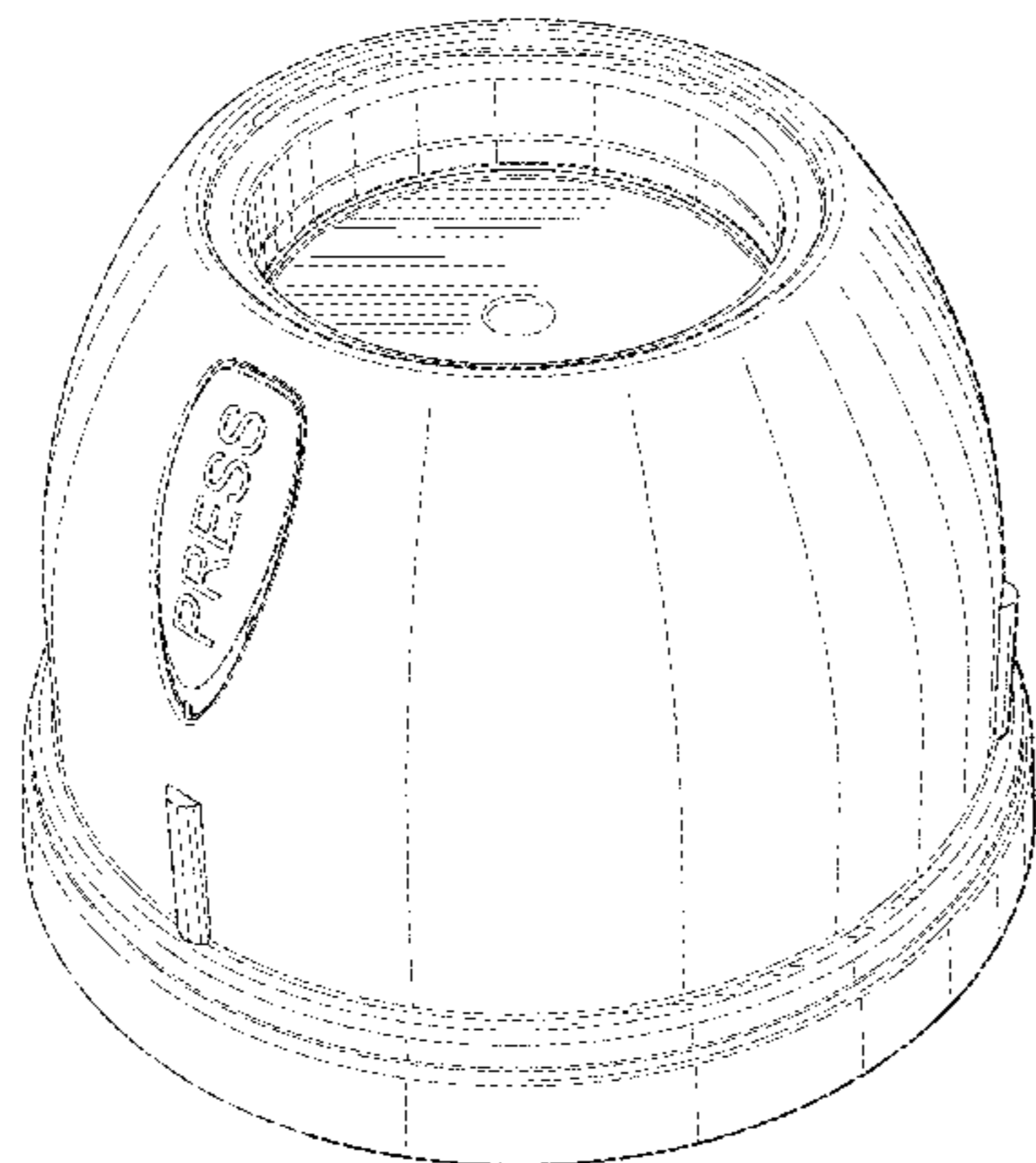


FIG. 11 shows a left side view of the lid for a container shown in FIG. 8.

FIG. 12 shows a right side view of the lid for a container shown in FIG. 8.

FIG. 13 shows a top view of the lid for a container shown in FIG. 8.

FIG. 14 shows a front, left side, and top perspective view of a third embodiment of our new design for a lid for a container.

FIG. 15 shows a front view of the lid for a container shown in FIG. 14.

FIG. 16 shows a rear view of the lid for a container shown in FIG. 14.

FIG. 17 shows a left side view of the lid for a container shown in FIG. 14.

FIG. 18 shows a right side view of the lid for a container shown in FIG. 14.

FIG. 19 shows a top view of the lid for a container shown in FIG. 14.

FIG. 20 shows a bottom view of the lid for a container shown in FIG. 14.

FIG. 21 shows a front, left side, and top perspective view of a fourth embodiment of our new design for a lid for a container.

FIG. 22 shows a front view of the lid for a container shown in FIG. 21.

FIG. 23 shows a rear view of the lid for a container shown in FIG. 21.

FIG. 24 shows a left side view of the lid for a container shown in FIG. 21.

FIG. 25 shows a right side view of the lid for a container shown in FIG. 21.

FIG. 26 shows a top view of the lid for a container shown in FIG. 21; and,

FIG. 27 shows a bottom view of the lid for a container shown in FIG. 21.

The portions of a container shown in broken lines in FIGS. 7, 8 and 9 form no part of the claimed design.

1 Claim, 15 Drawing Sheets

FIG. 1

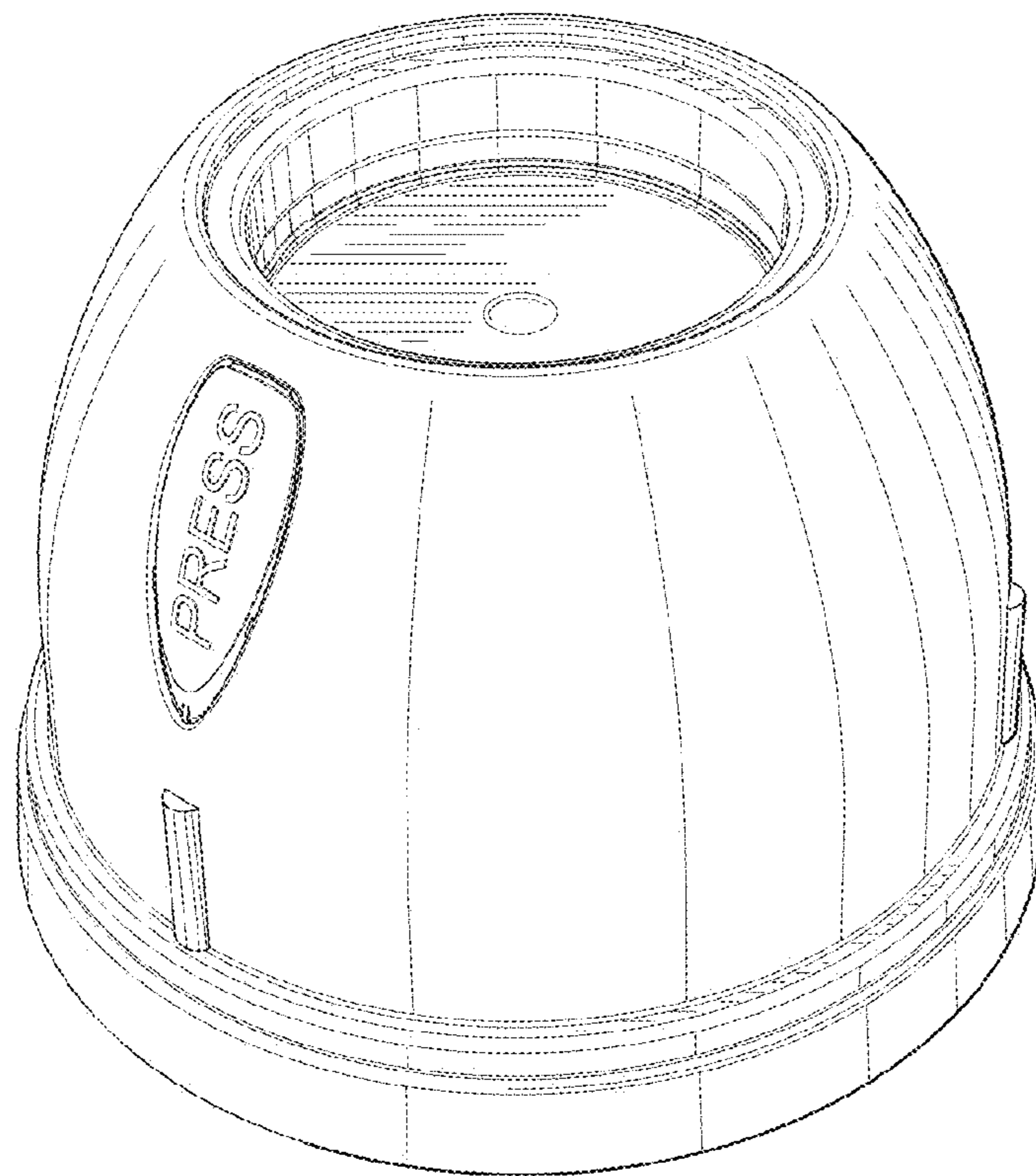


FIG. 2

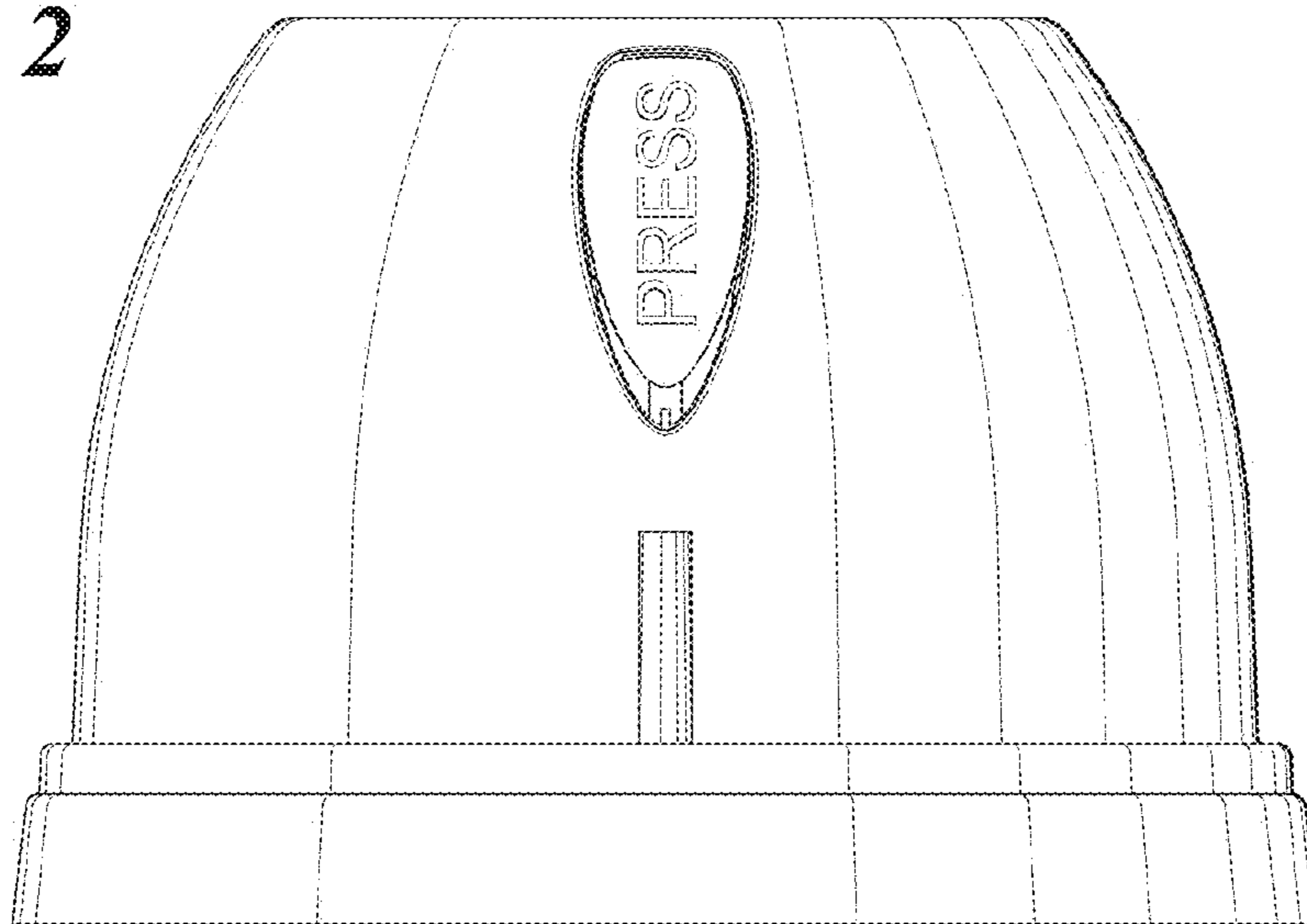


FIG. 3

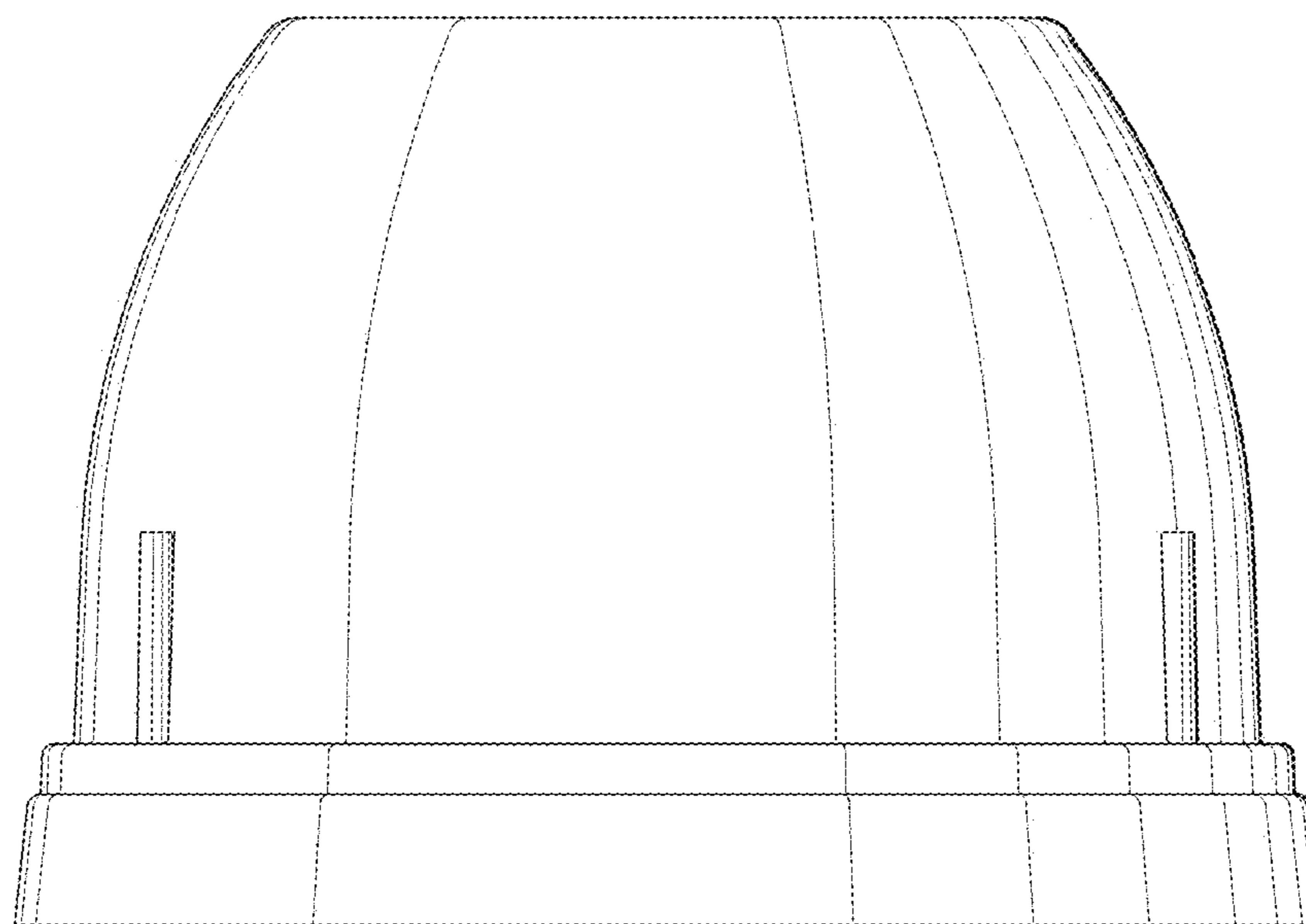


FIG. 4

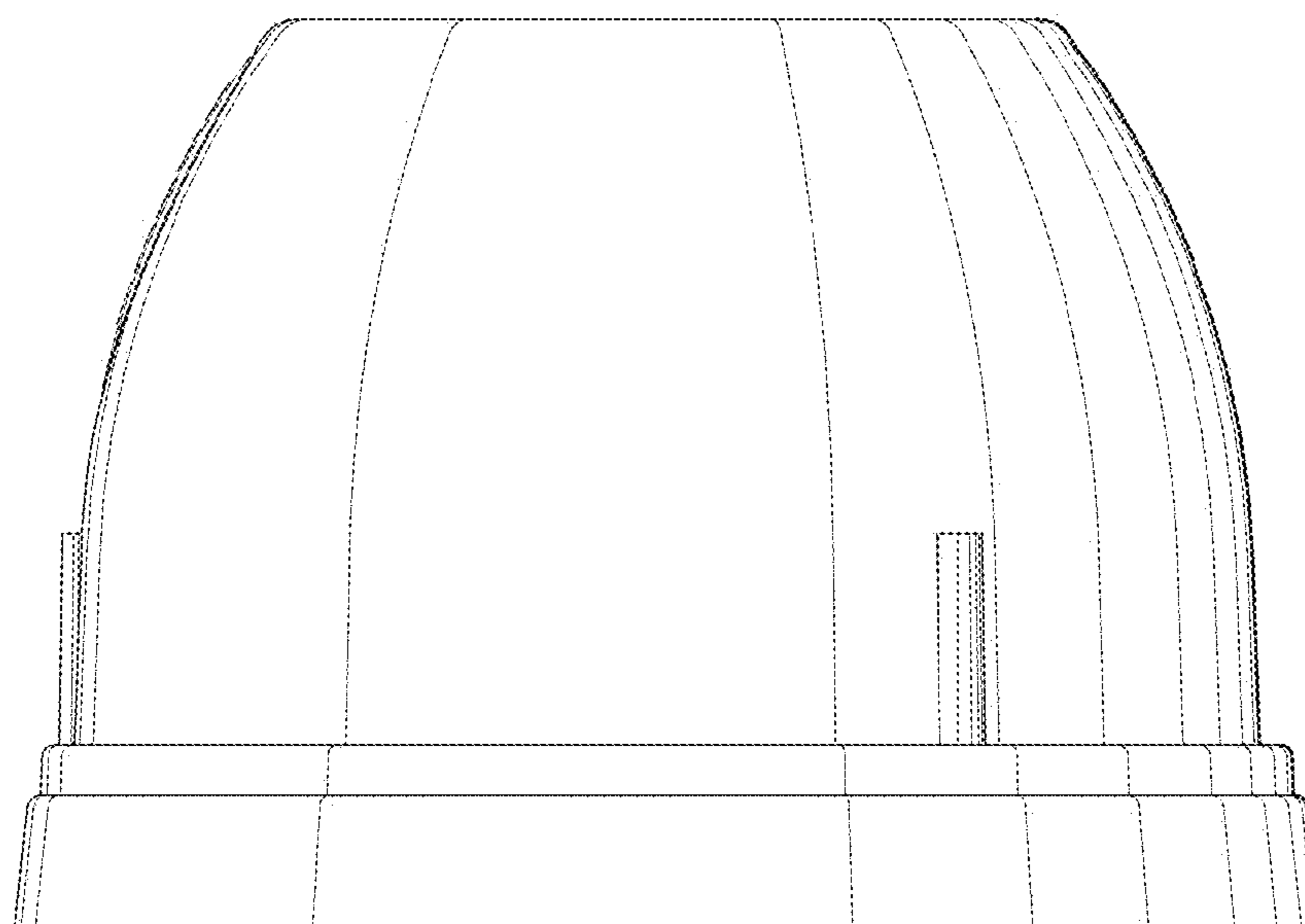


FIG. 5

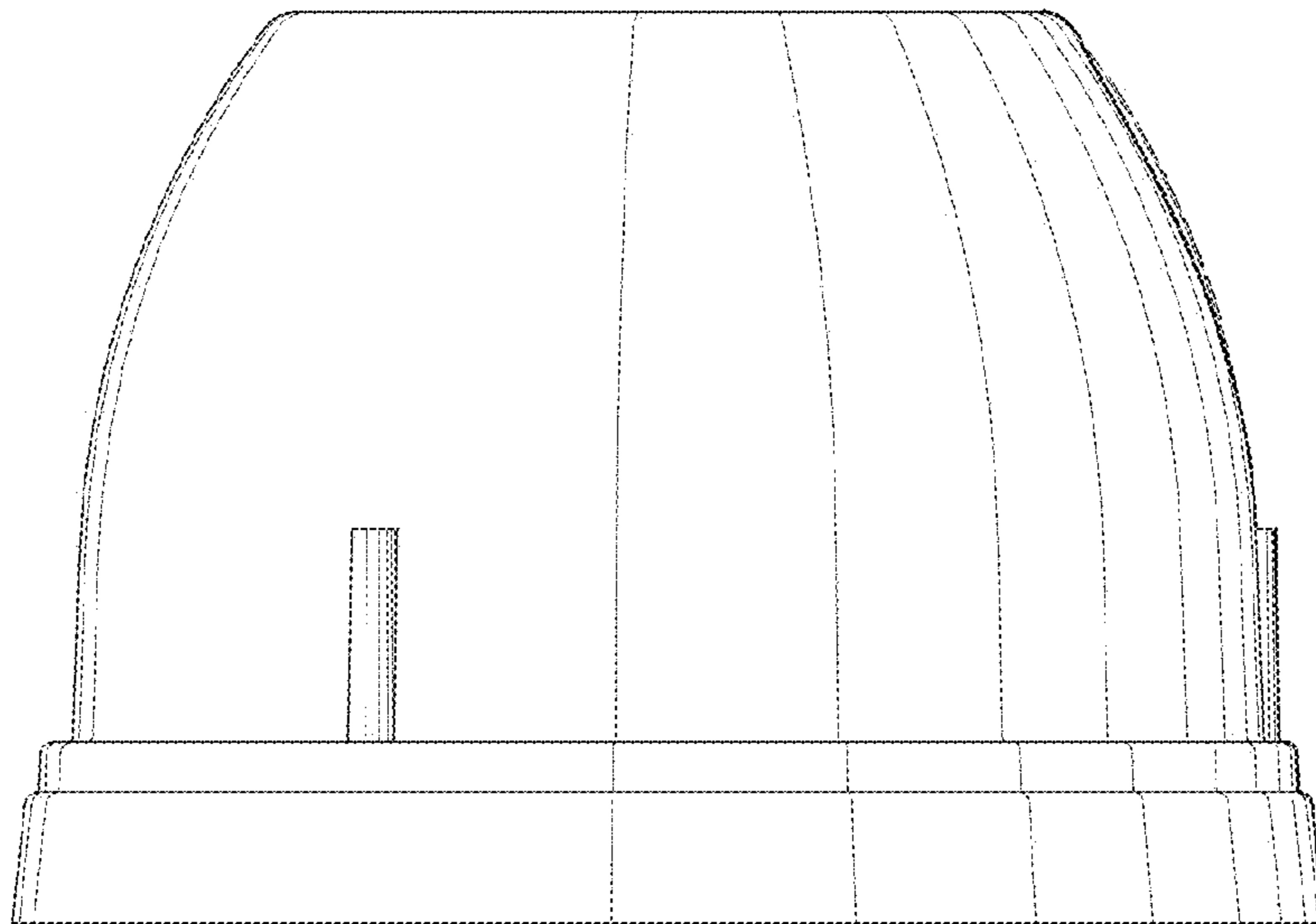


FIG. 6

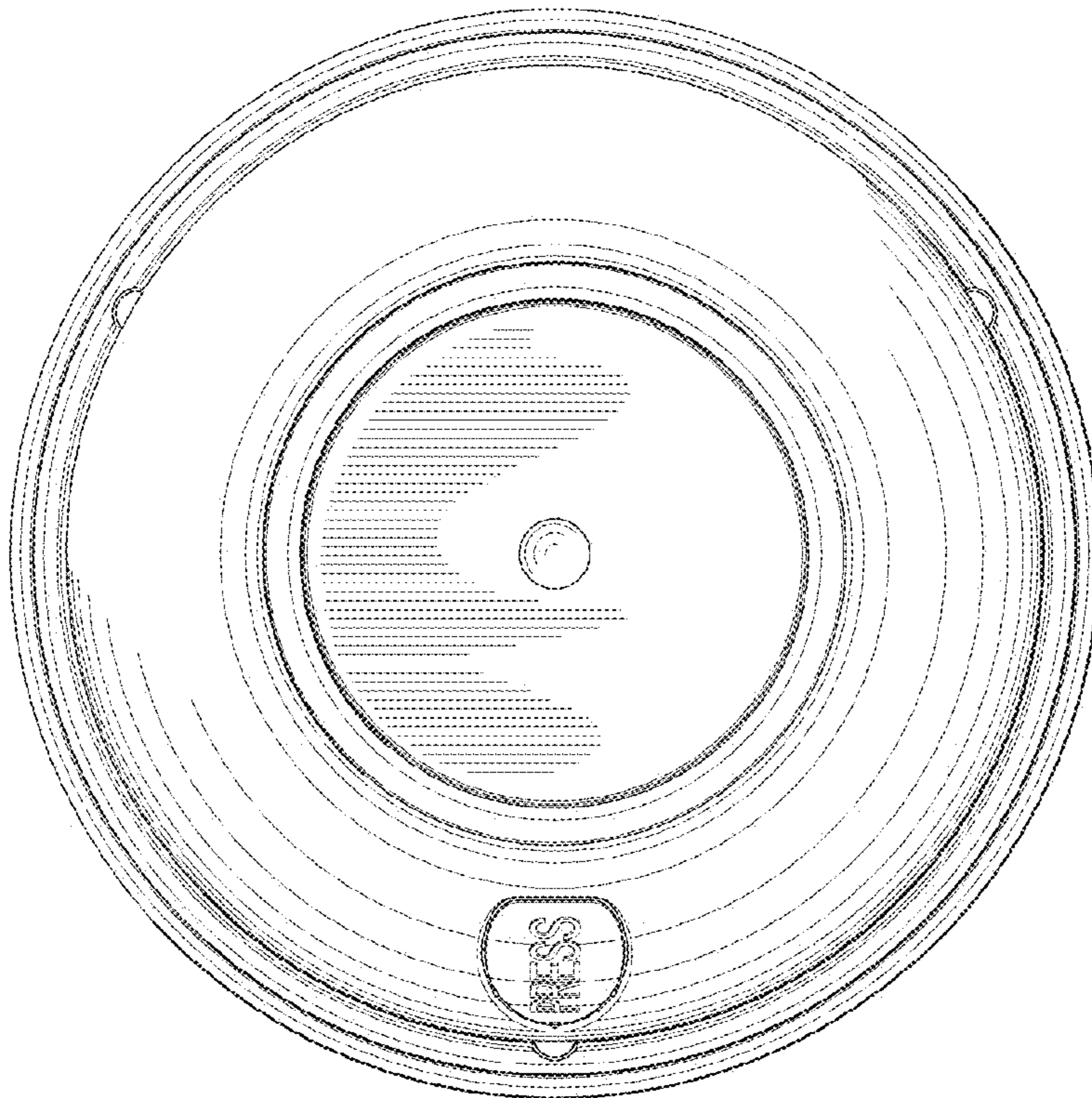


FIG. 7

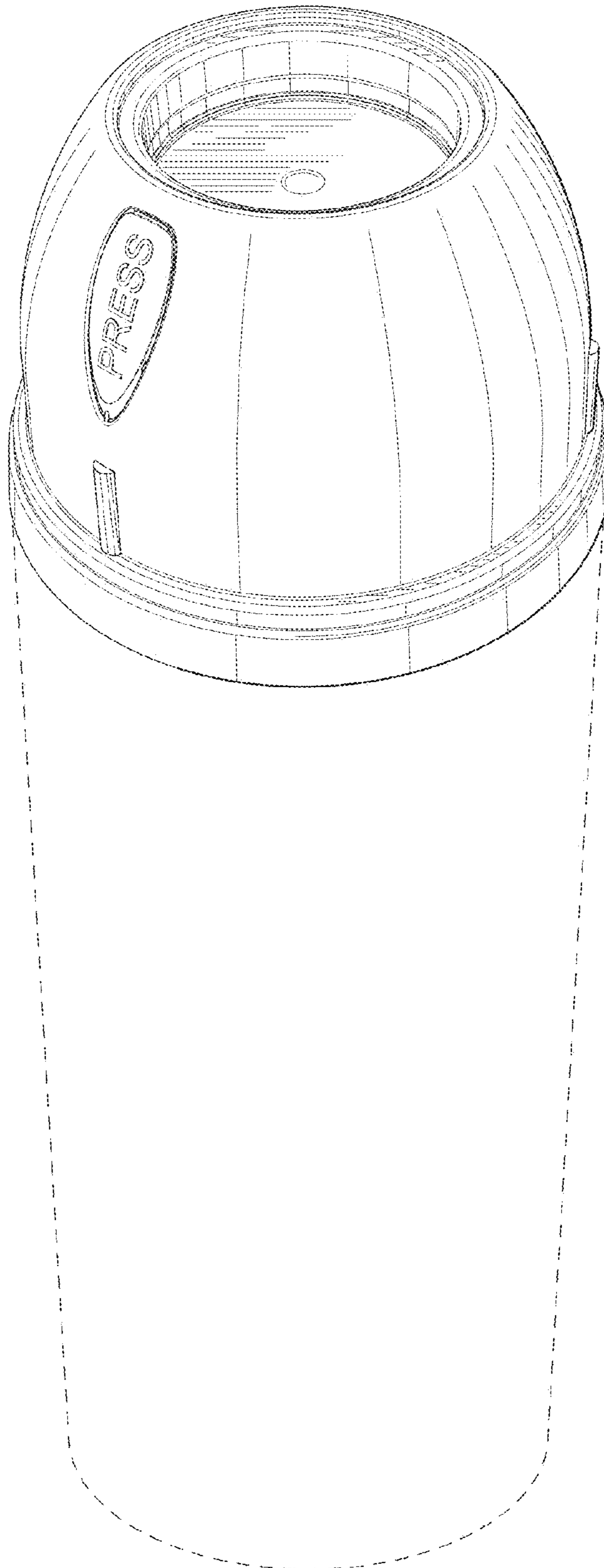


FIG. 8

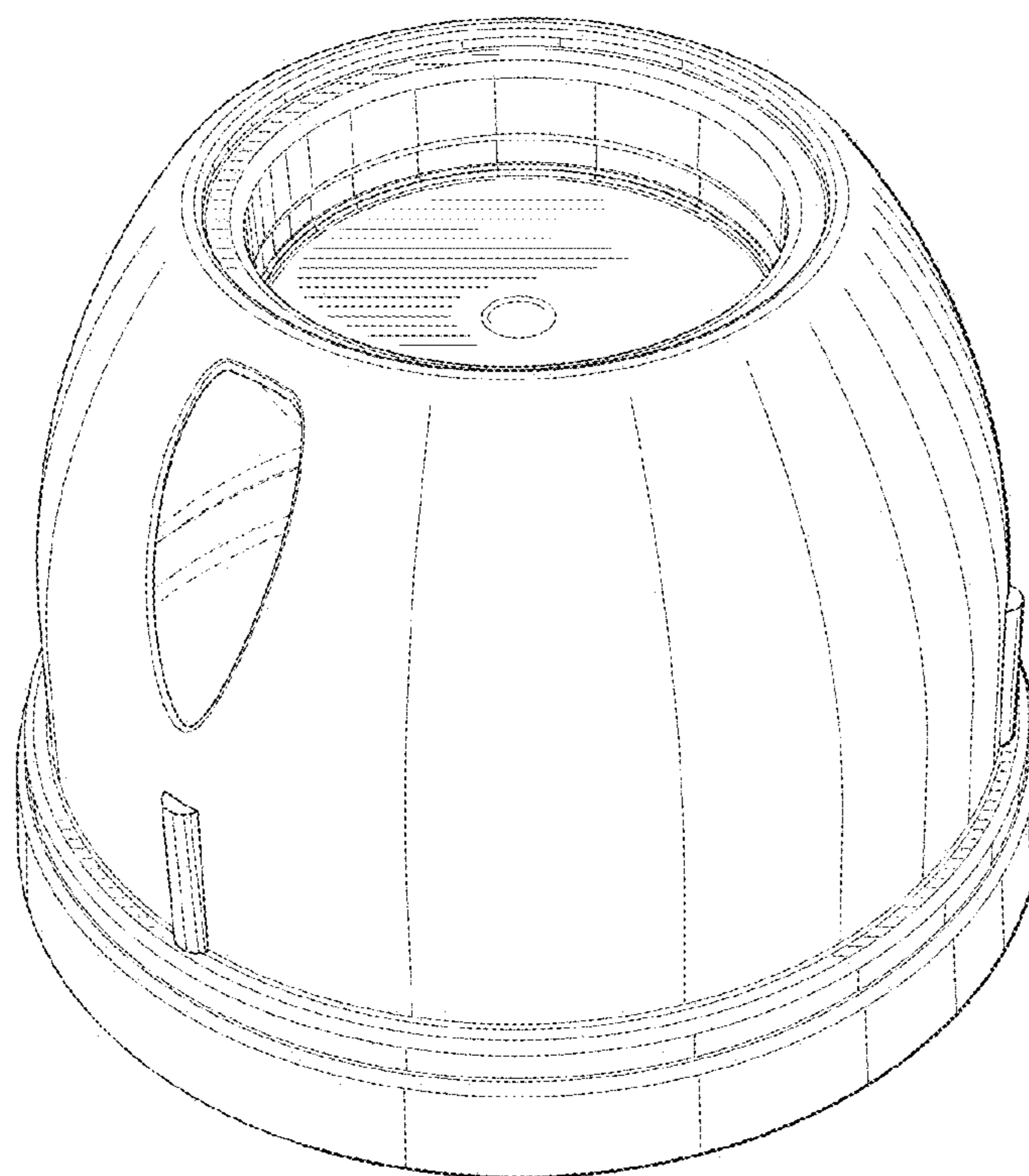


FIG. 9

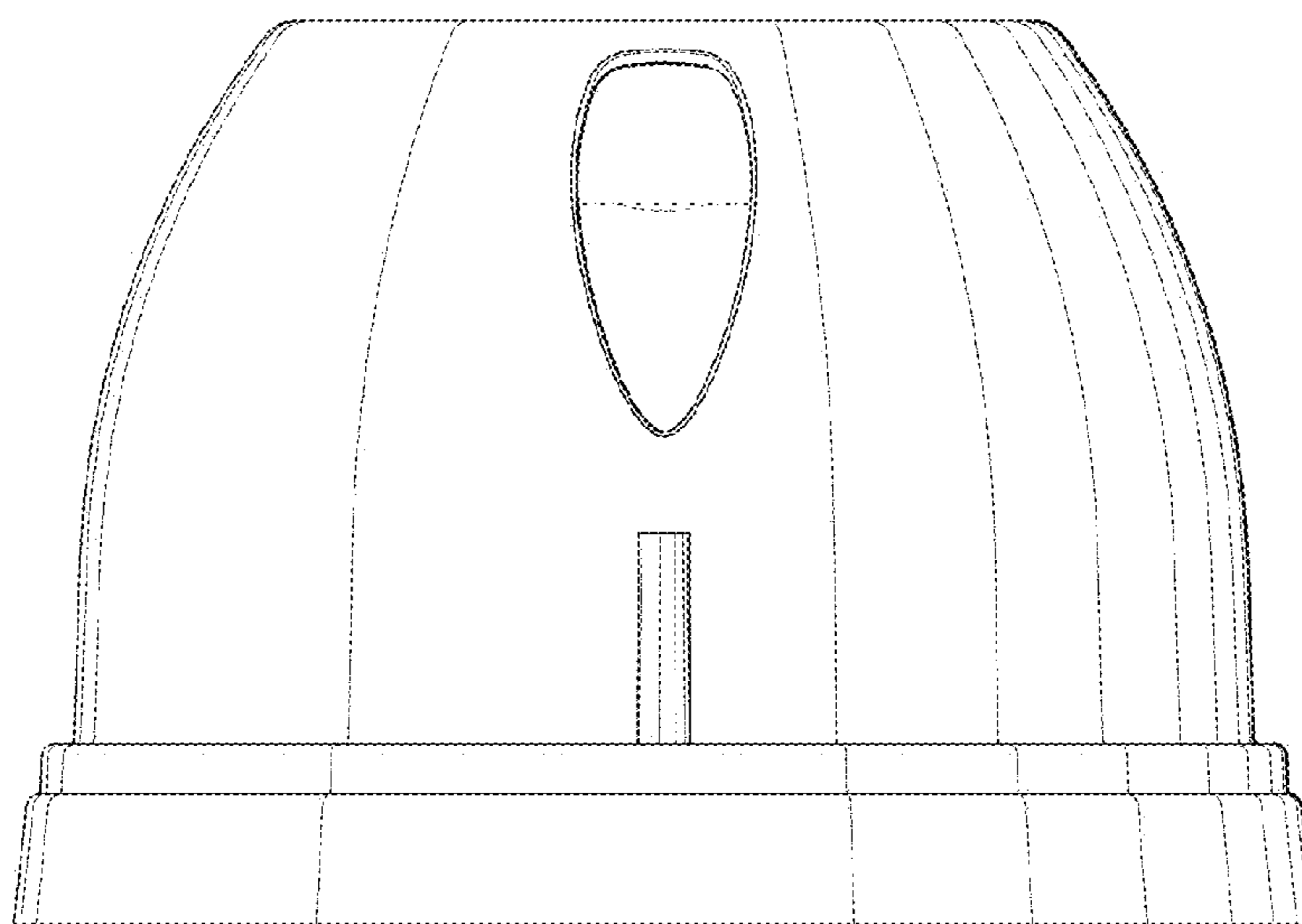


FIG. 10

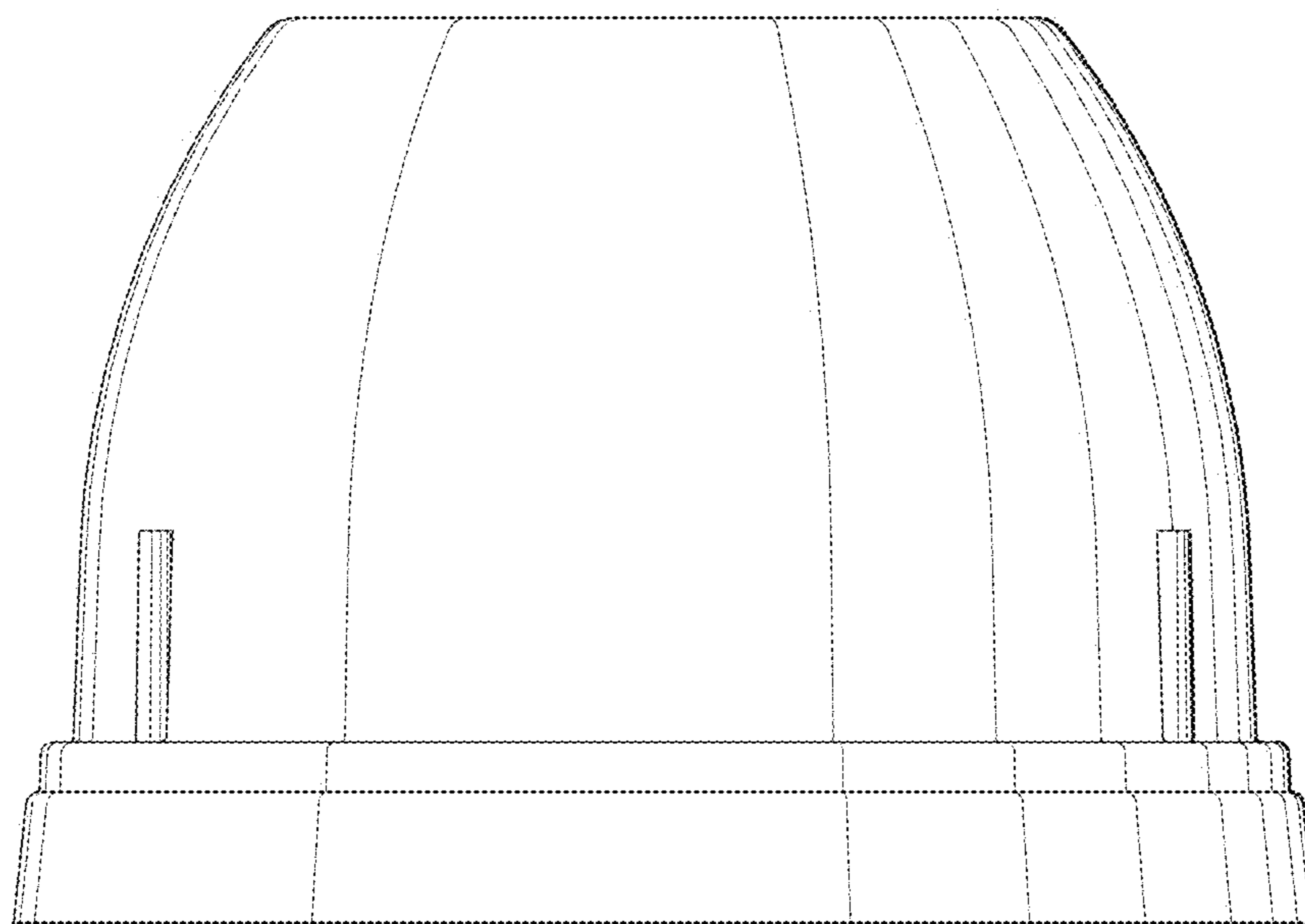


FIG. 11

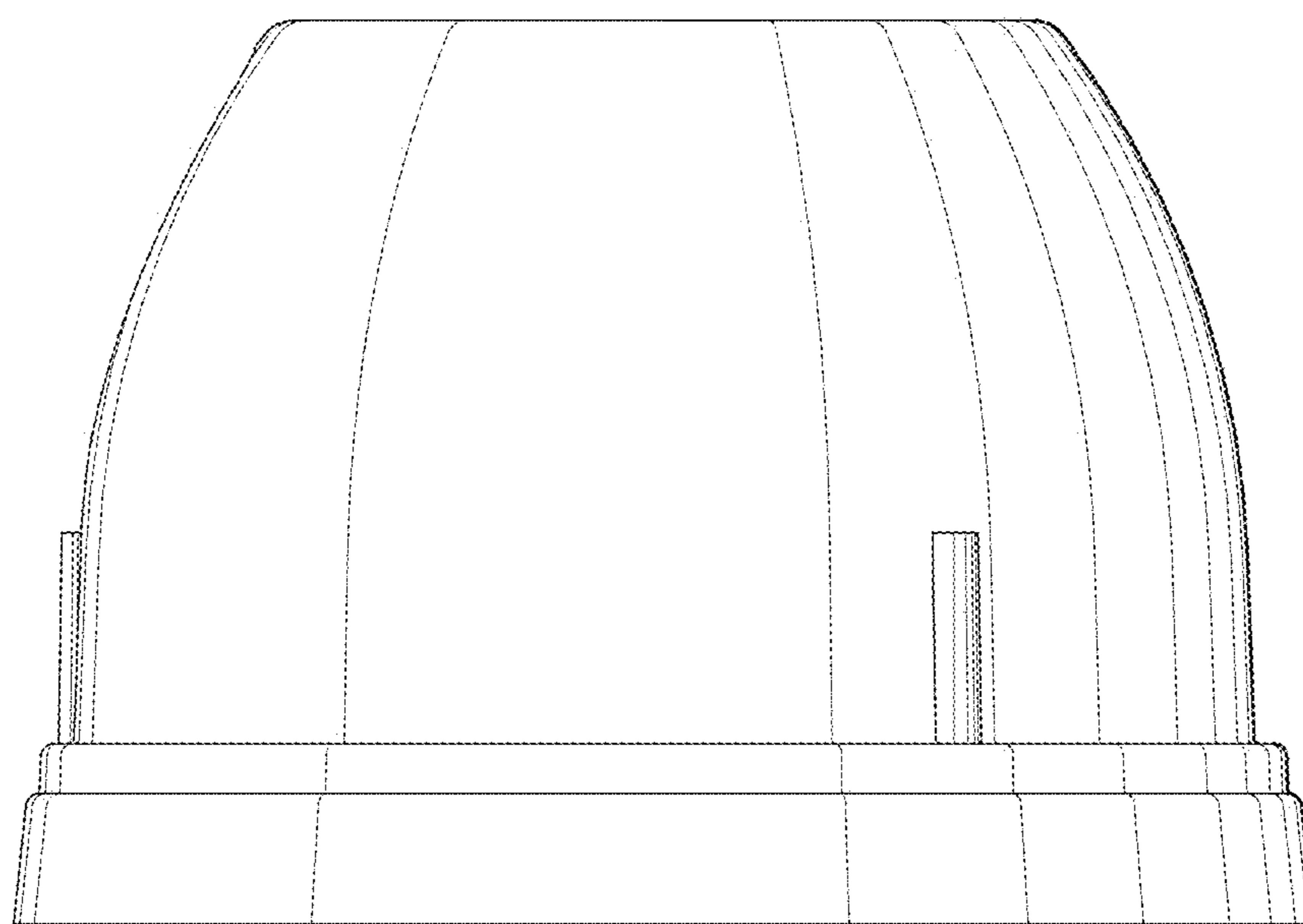


FIG. 12

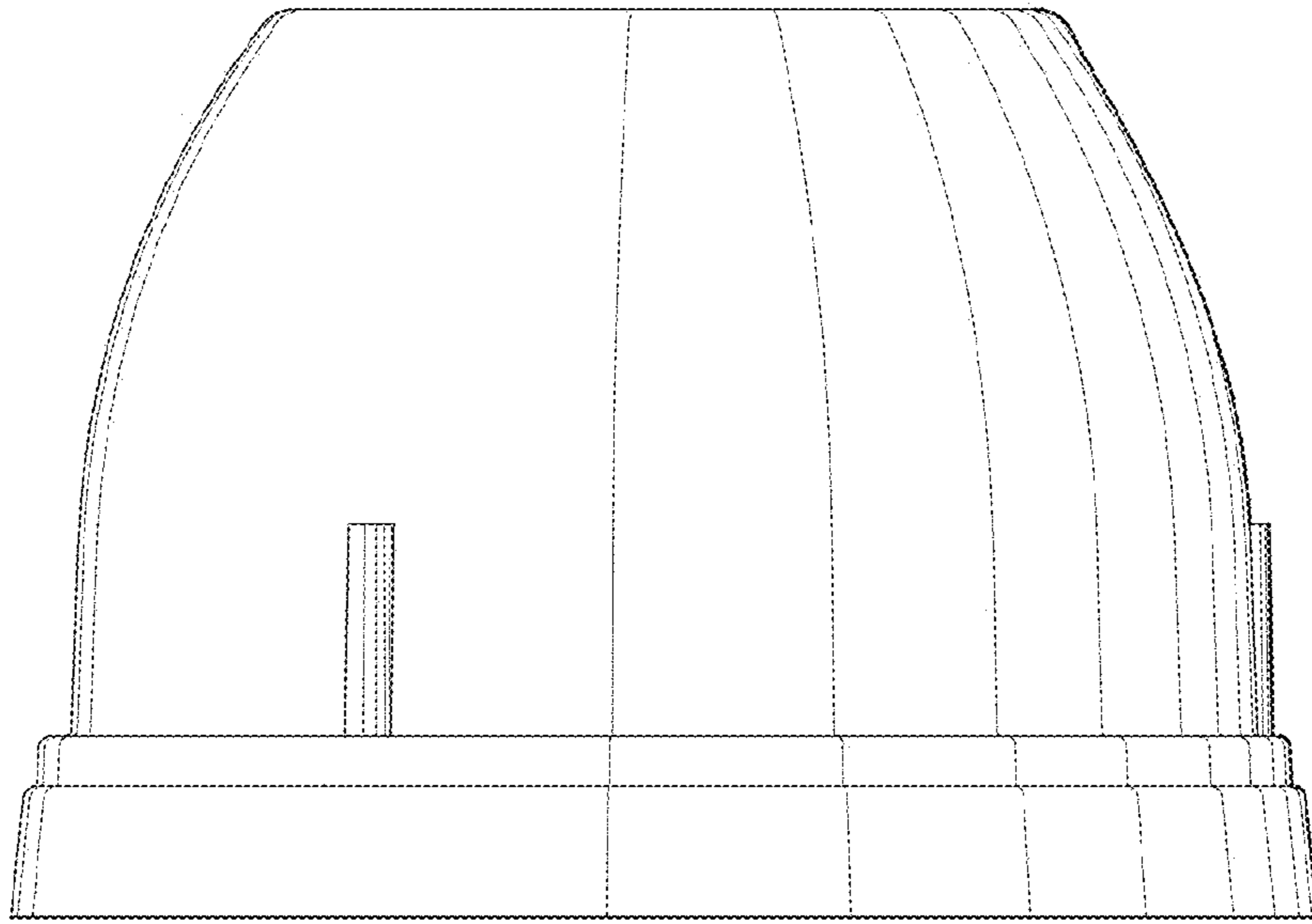


FIG. 13

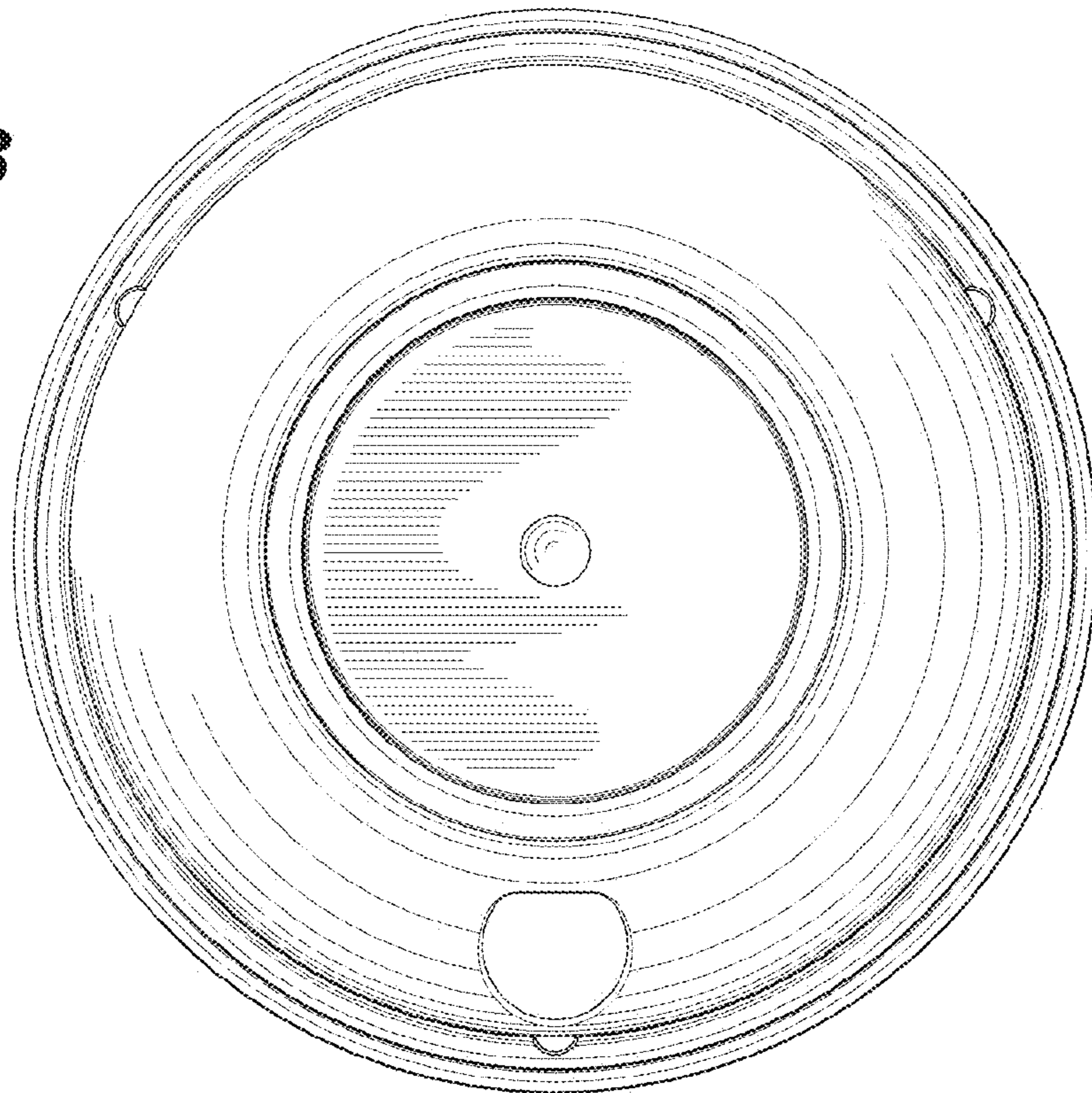


FIG. 14

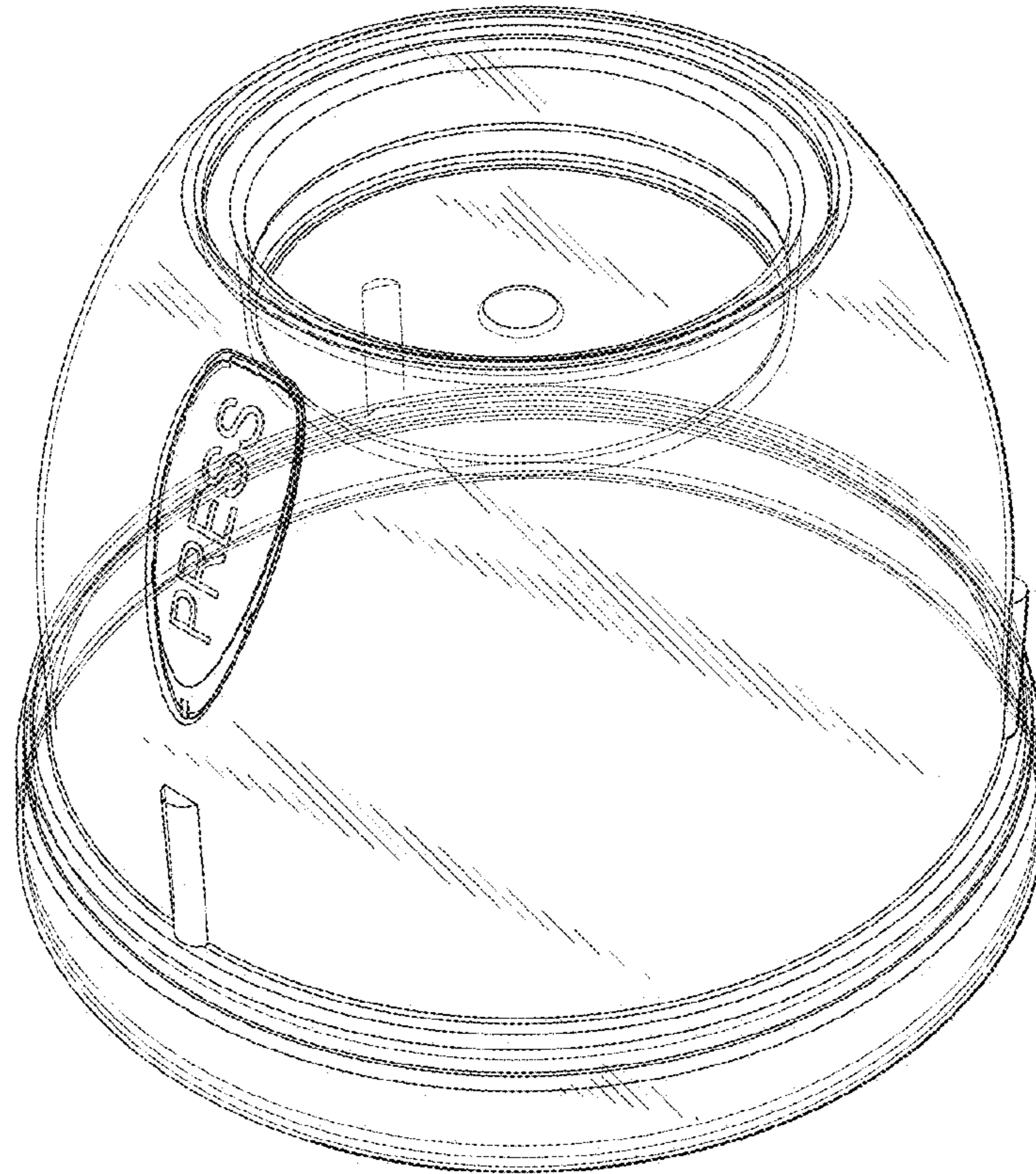


FIG. 15

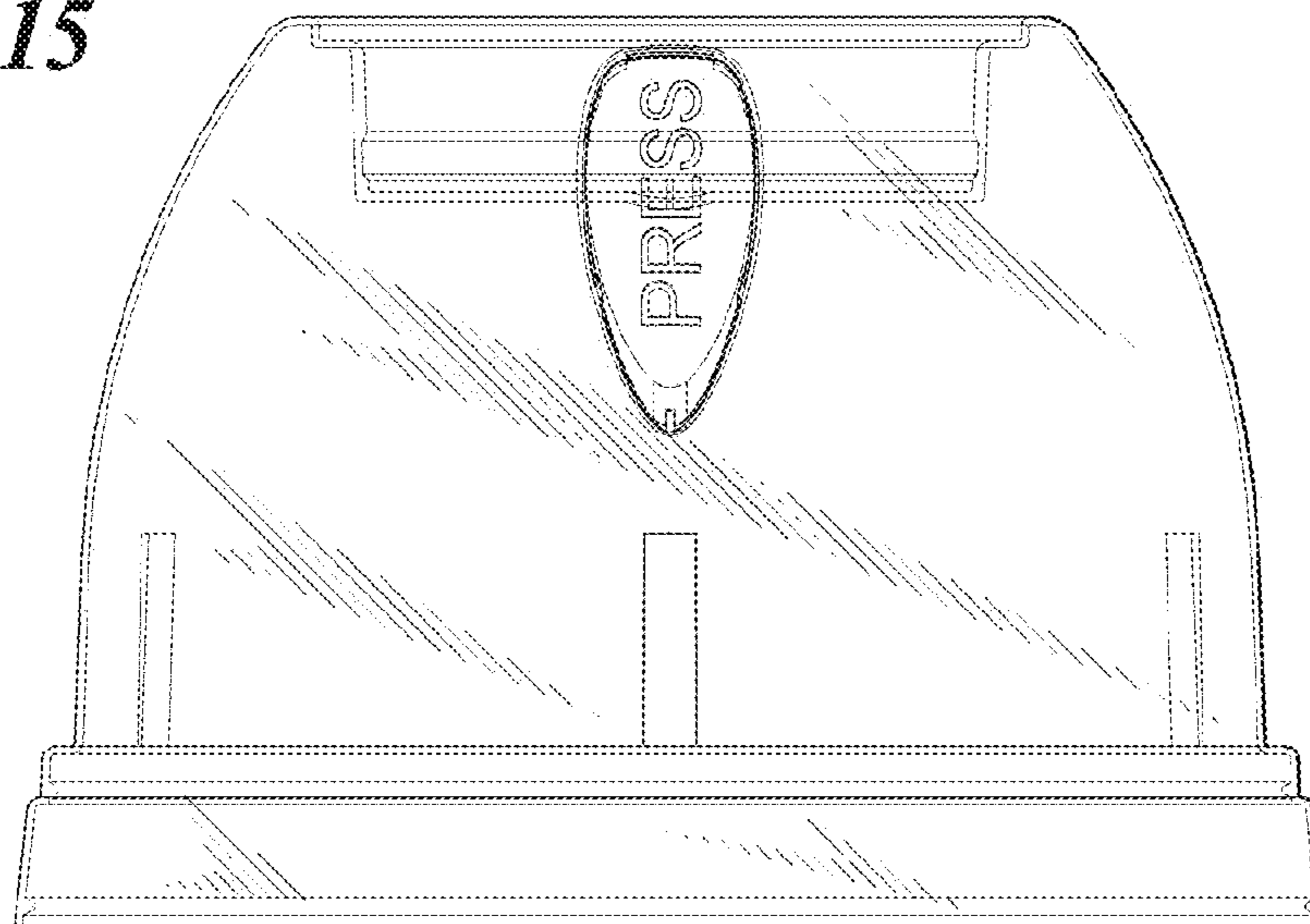


FIG. 16

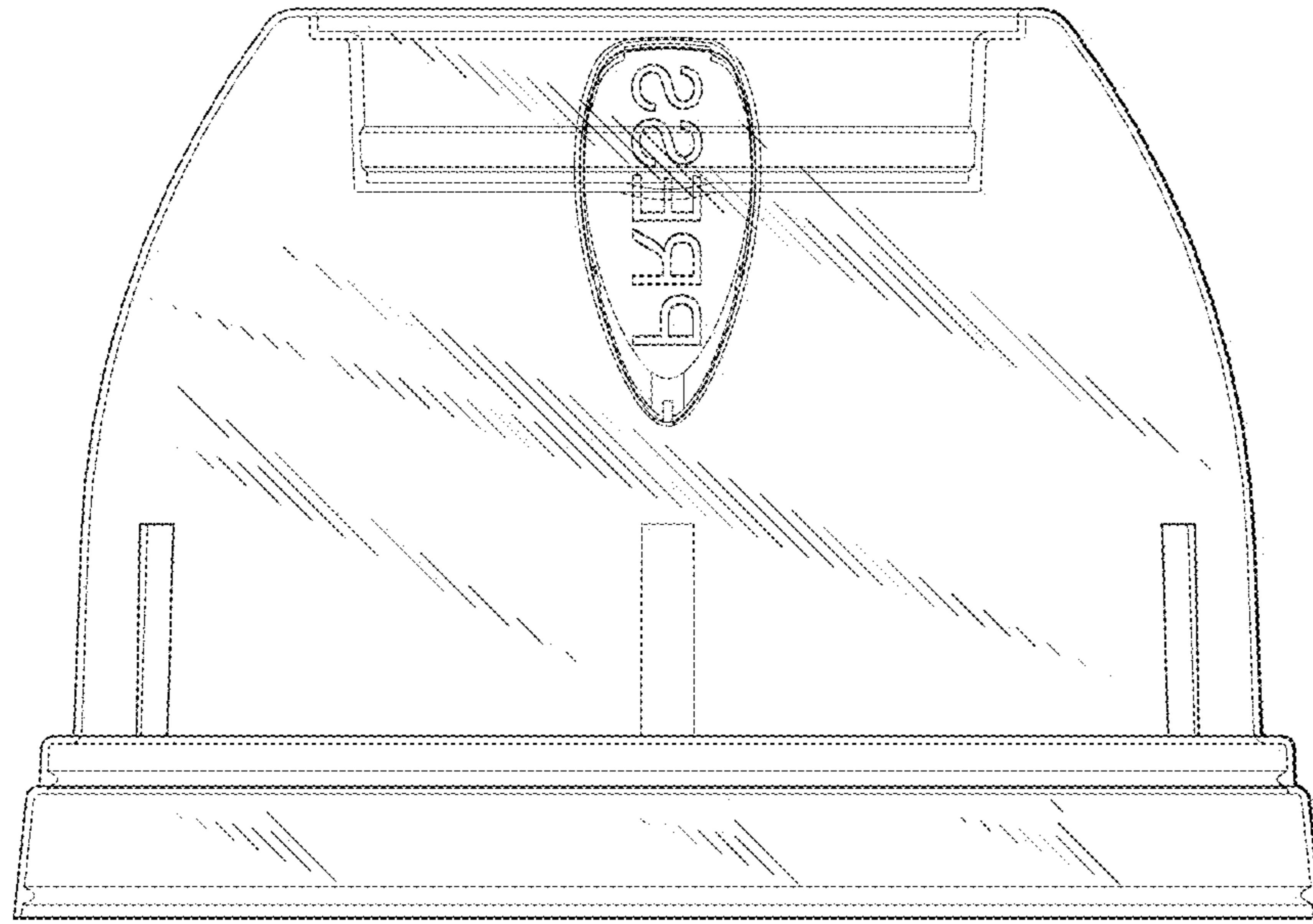


FIG. 17

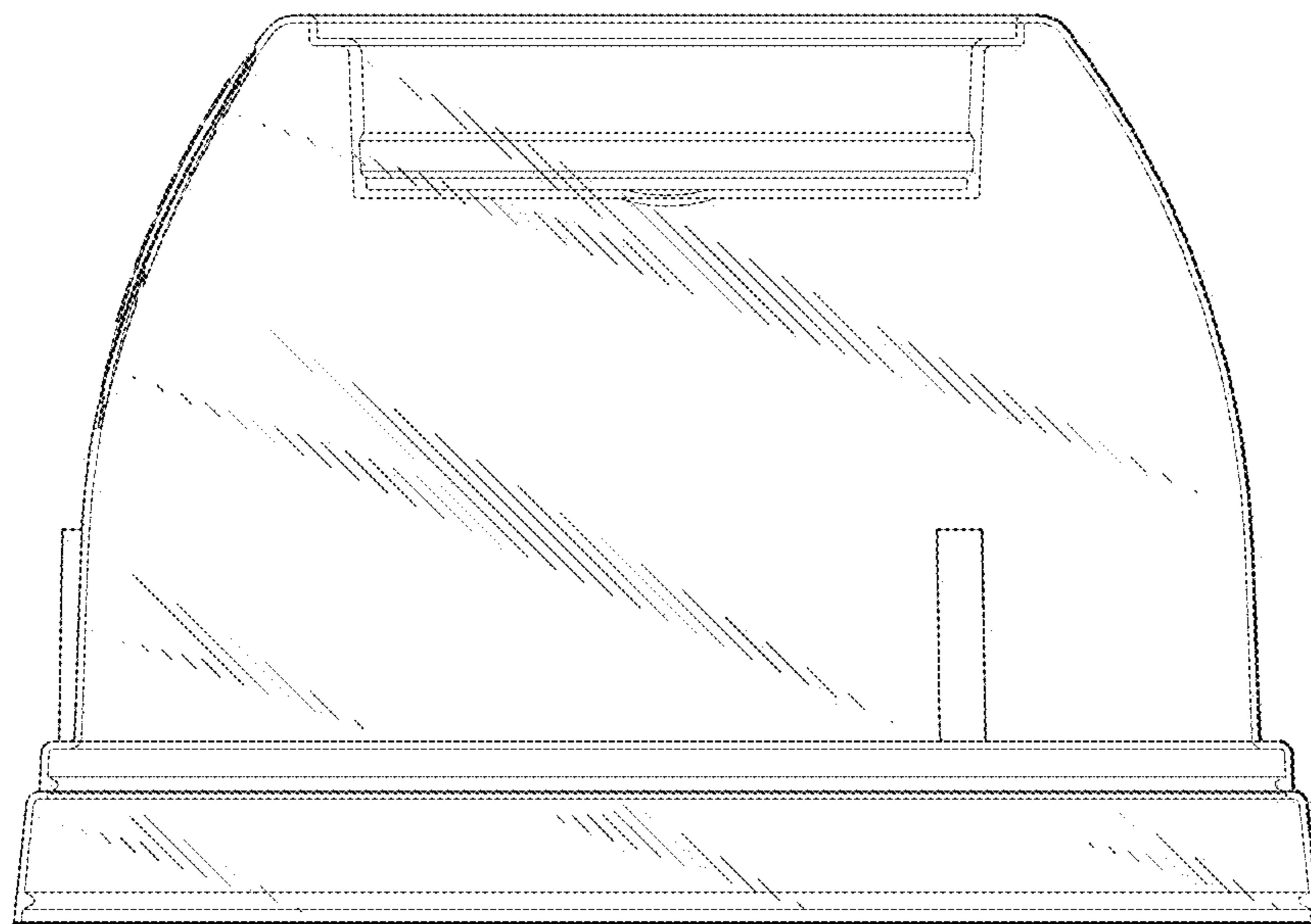


FIG. 18

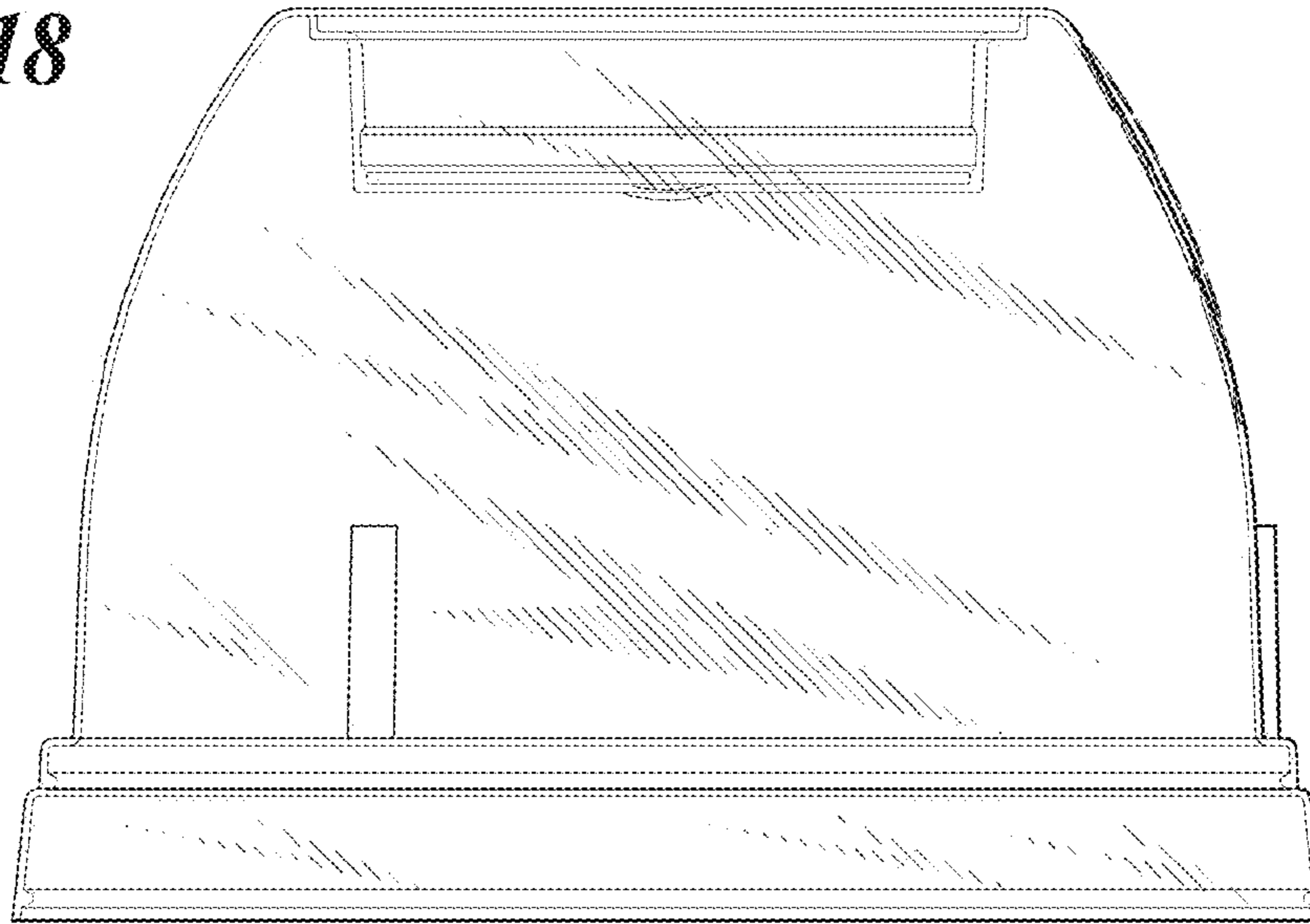


FIG. 19

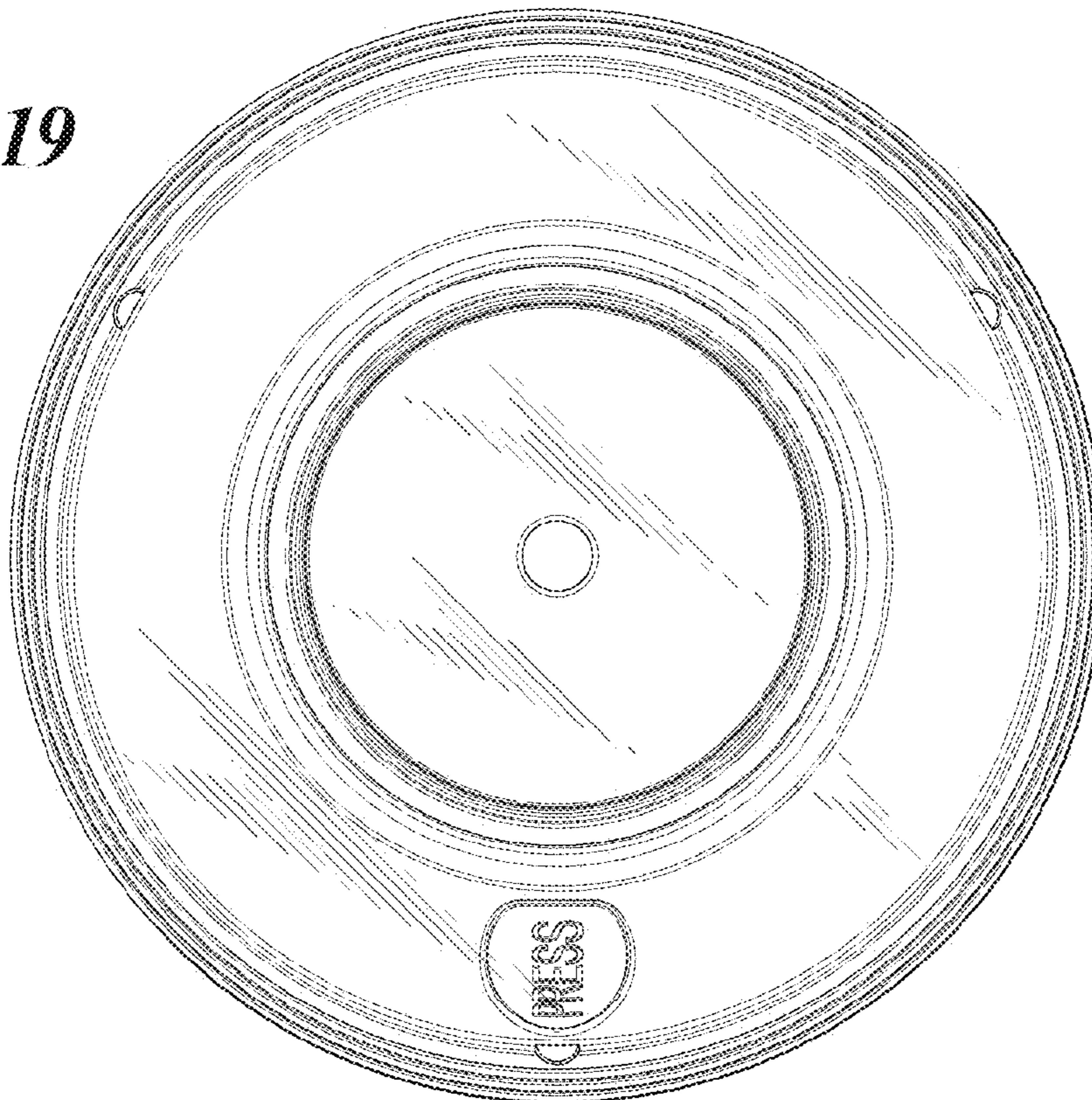


FIG. 20

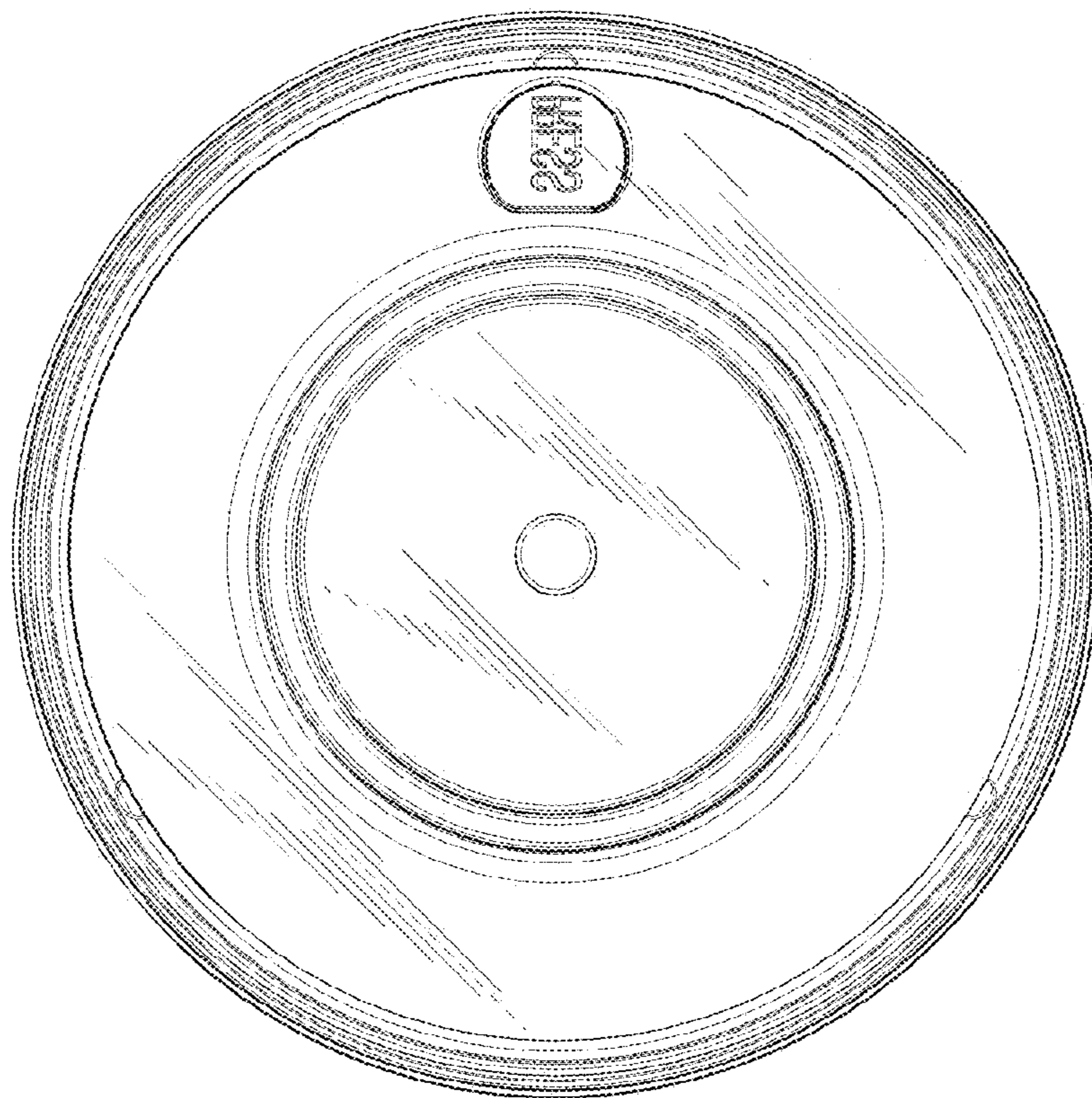


FIG. 21

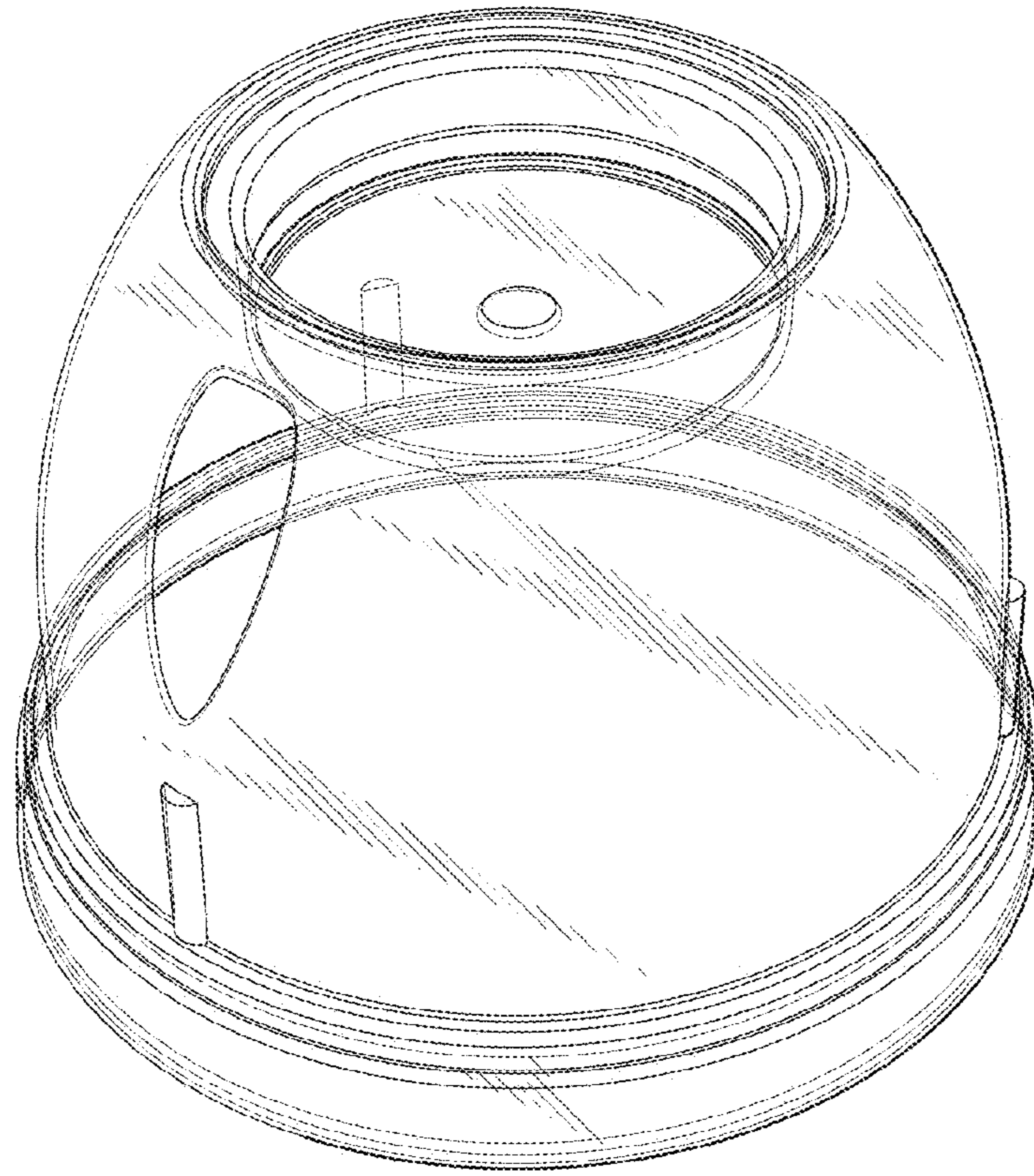


FIG. 22

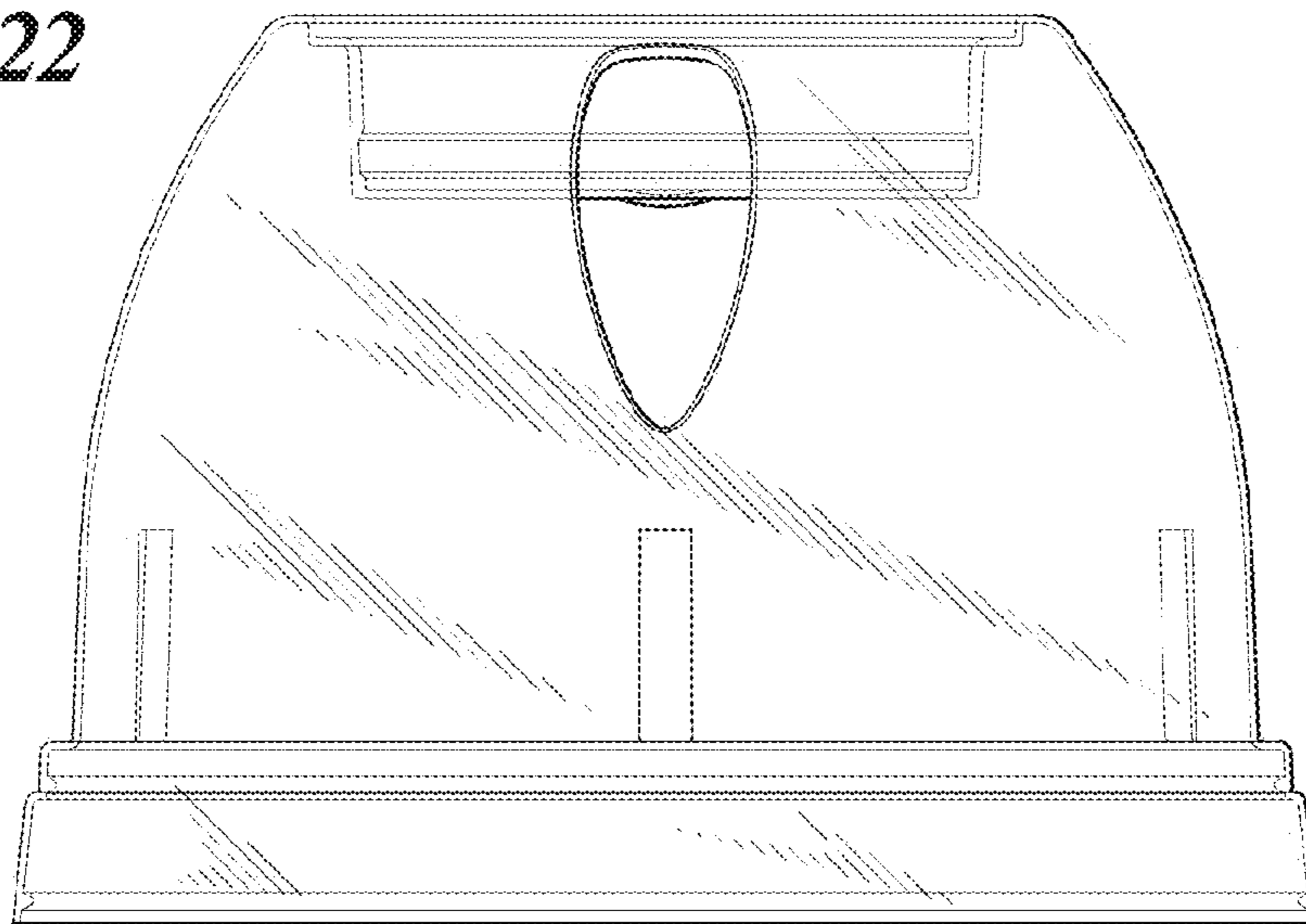


FIG. 23

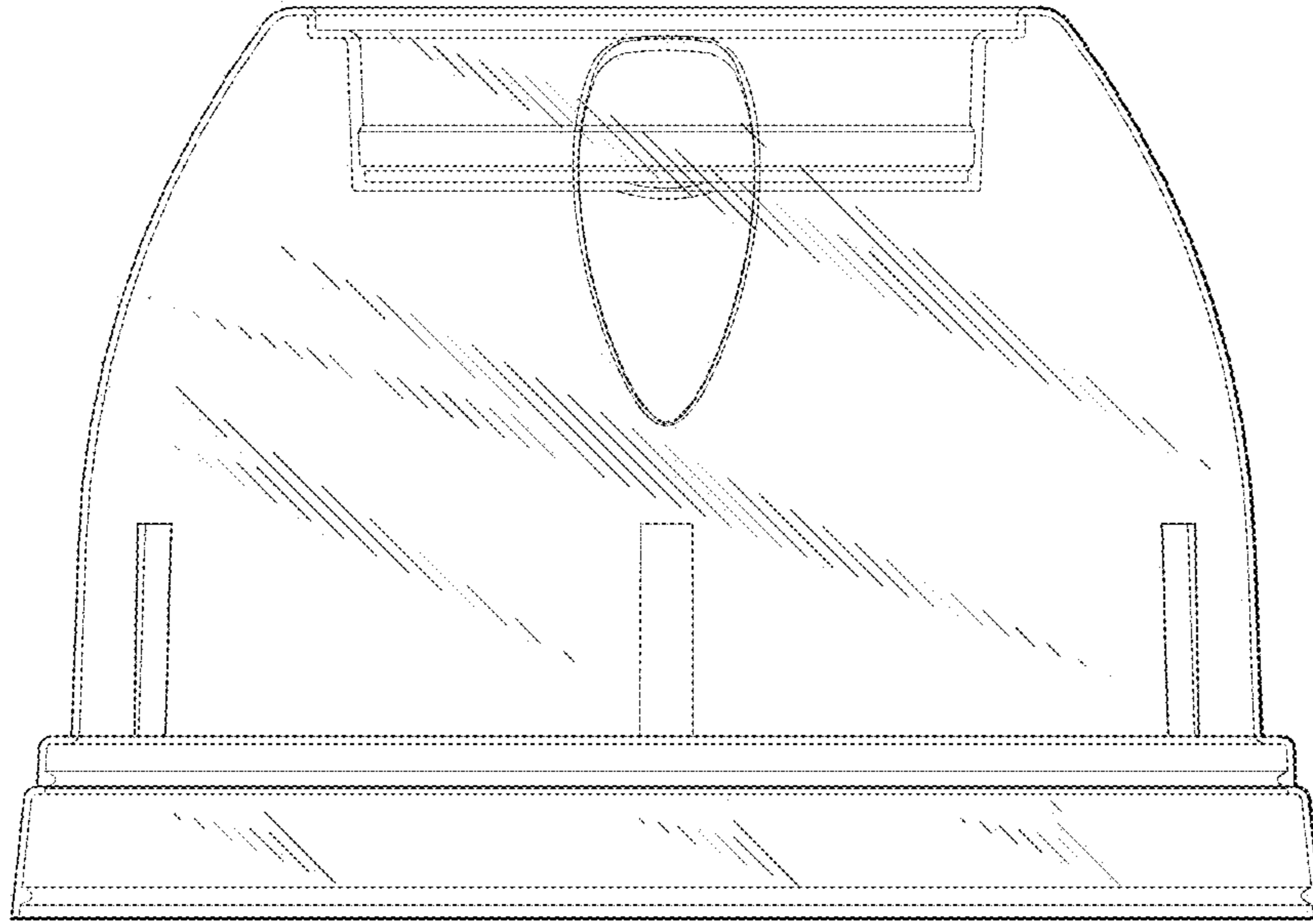


FIG. 24

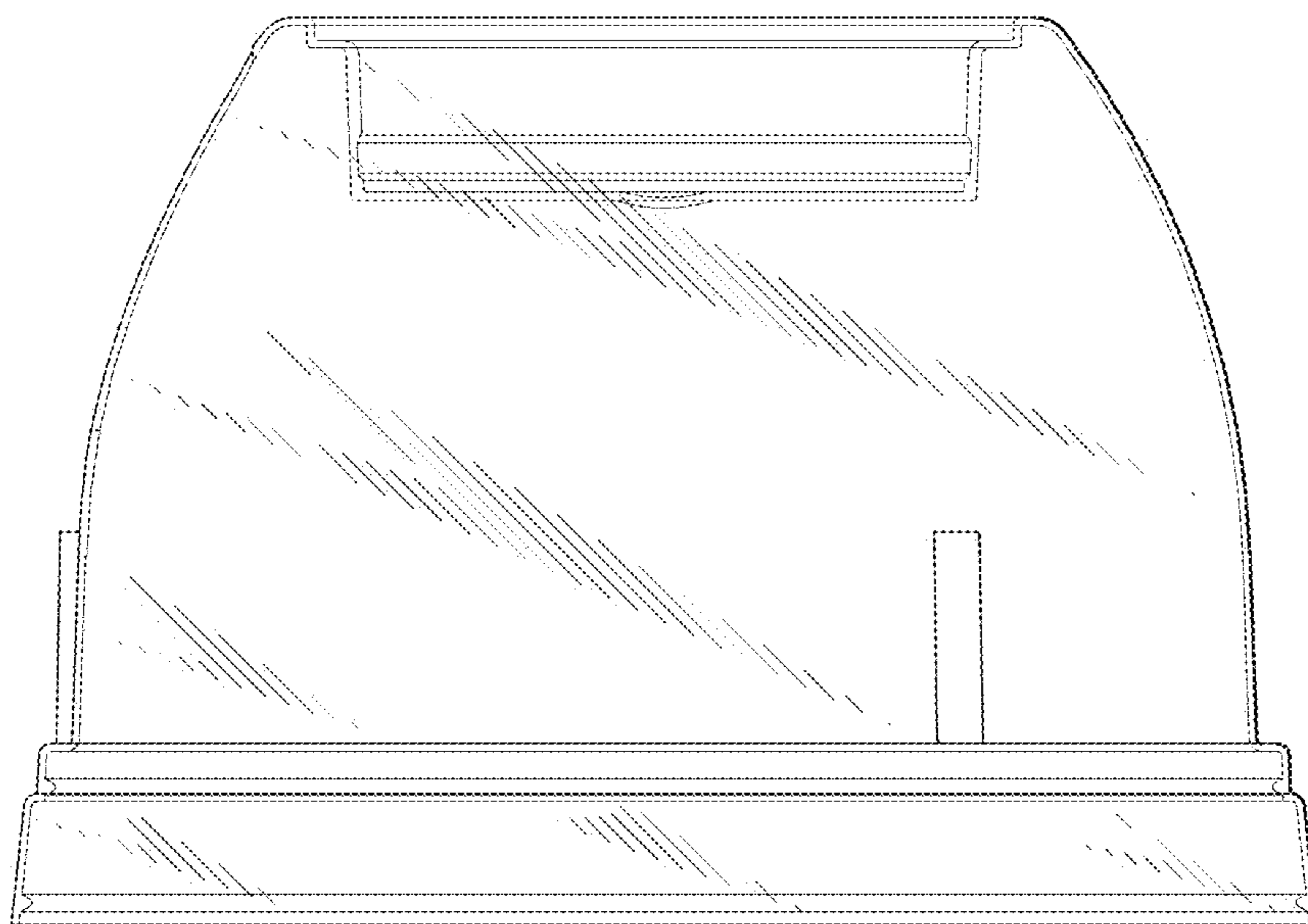


FIG. 25

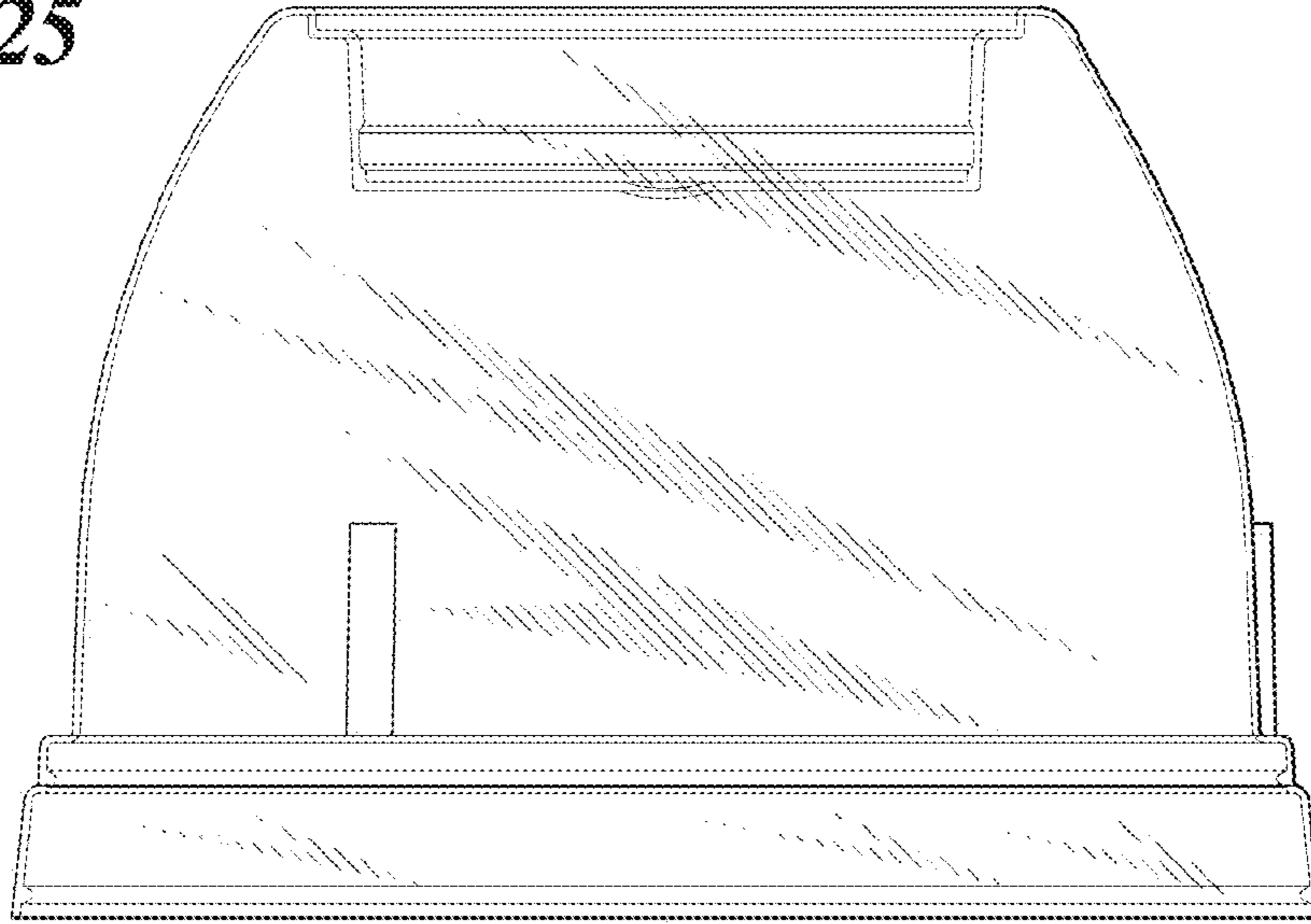


FIG. 26

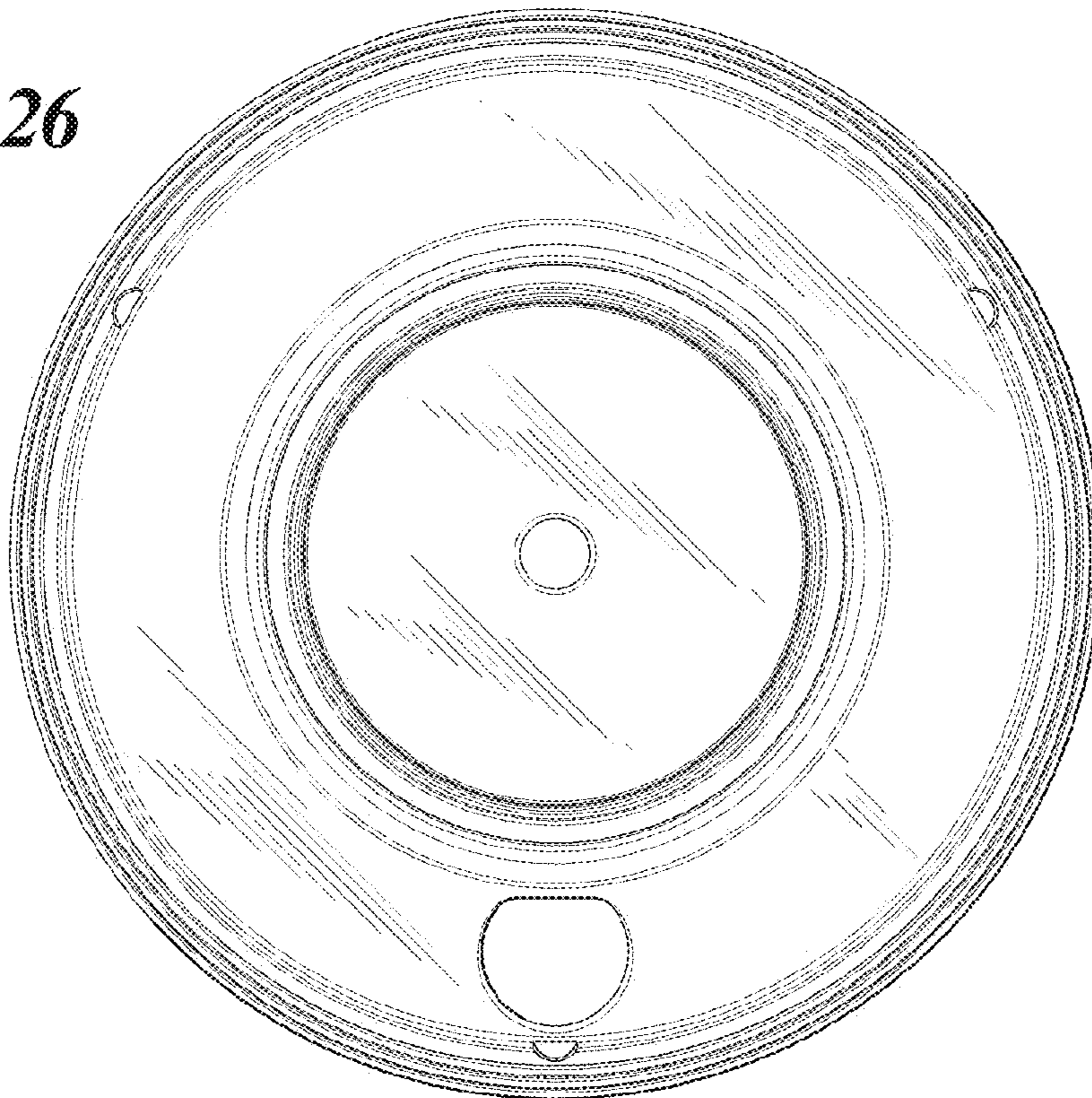


FIG. 27

