

US00D764288S

(12) **United States Design Patent**  
**Simonetti et al.**

(10) **Patent No.:** **US D764,288 S**

(45) **Date of Patent:** **\*\* Aug. 23, 2016**

(54) **CARTON WITH HANDLE**

(71) Applicant: **Intercontinental Great Brands LLC**,  
East Hanover, NJ (US)

(72) Inventors: **Michael Simonetti**, East Hanover, NJ  
(US); **Hector Angulo**, East Hanover, NJ  
(US); **Edward Barnes**, Wayne, NJ (US);  
**Pat Klinger**, Wayne, NJ (US)

(73) Assignee: **Intercontinental Great Brands LLC**,  
East Hanover, NJ (US)

(\*\*) Term: **14 Years**

(21) Appl. No.: **29/518,203**

(22) Filed: **Feb. 20, 2015**

(51) **LOC (10) Cl.** ..... **09-03**

(52) **U.S. Cl.**  
USPC ..... **D9/432**

(58) **Field of Classification Search**

USPC ..... D9/414-415, 417, 418, 420-427,  
D9/430-434, 634, 721, 783-744, 751, 756,  
D9/759, 760; D3/272, 273, 302, 304-309,  
D3/315; D7/601, 602, 609, 619.1, 630  
CPC ..... B65D 5/00-5/02; B65D 5/0209-5/0272;  
B65D 5/029; B65D 5/40; B65D 5/72; B65D  
5/727

See application file for complete search history.

(56) **References Cited**

**U.S. PATENT DOCUMENTS**

267,698 A 11/1882 Ludlow  
1,407,483 A 2/1922 Rike

(Continued)

**FOREIGN PATENT DOCUMENTS**

EP 1549554 A1 7/2005  
FR 2634464 A1 1/1990  
WO 2004033328 A1 4/2004

**OTHER PUBLICATIONS**

International Search Report and Written Opinion of the International  
Searching Authority, dated May 3, 2016 for International Application  
No. PCT/US2016/017675 (10 pgs.).

*Primary Examiner* — Vy Koenig

(74) *Attorney, Agent, or Firm* — Fitch, Even, Tabin &  
Flannery LLP

(57) **CLAIM**

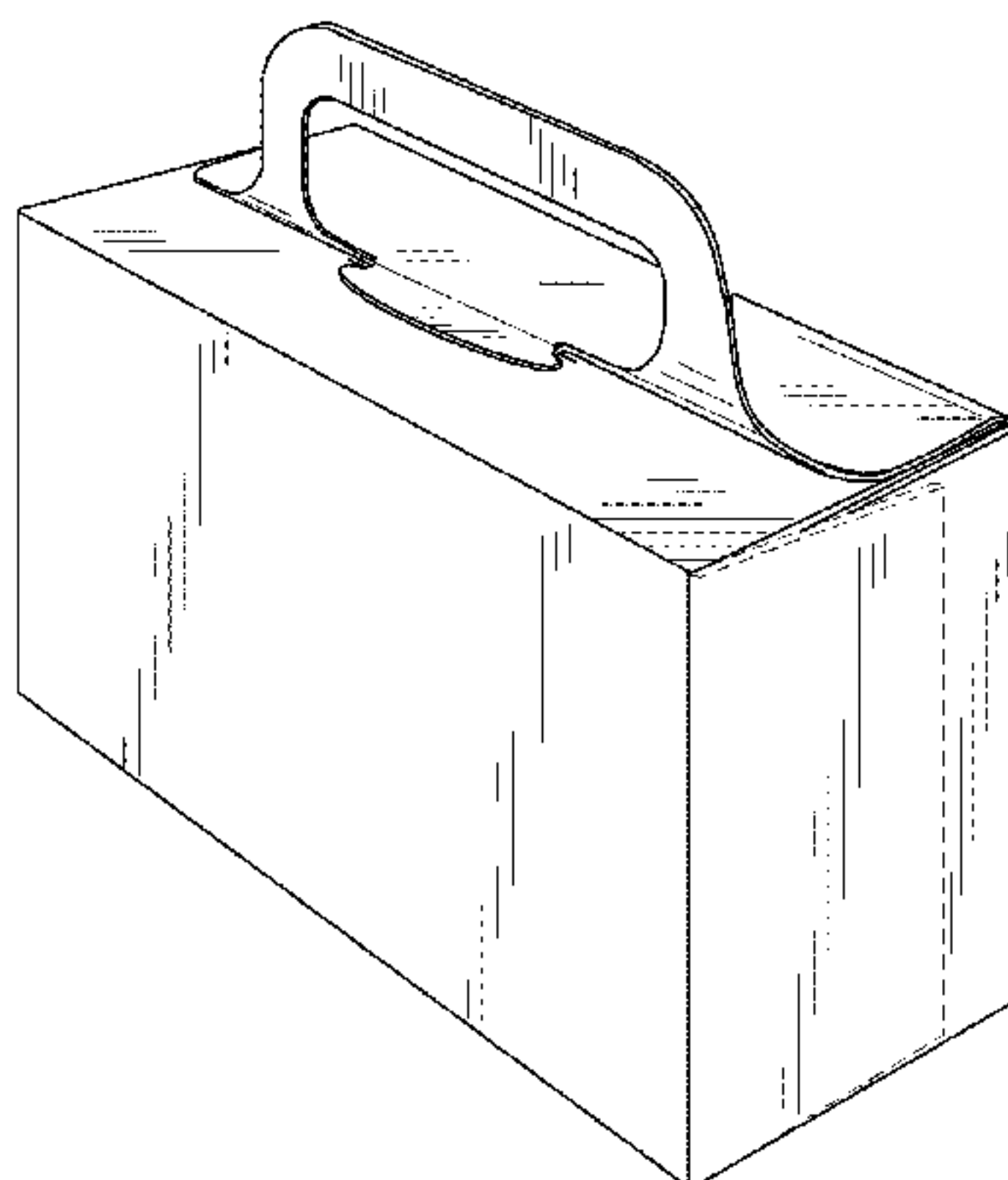
The ornamental design for a carton with handle, as shown and  
described.

**DESCRIPTION**

FIG. 1 is a perspective view of a carton with handle showing  
our new design, with the handle being in a lowered position;  
FIG. 2 is a rear elevational view of the carton with handle of  
FIG. 1;  
FIG. 3 is a front elevational view of the carton with handle of  
FIG. 1;  
FIG. 4 is right side elevational view of the carton with handle  
of FIG. 1;  
FIG. 5 is a left side elevational view of the carton with handle  
of FIG. 1;  
FIG. 6 is a top plan view of the carton with handle of FIG. 1;  
FIG. 7 is a bottom plan view of the carton with handle of FIG.  
1;  
FIG. 8 is a perspective view of the carton with handle of FIG.  
1 with the handle being in a raised position;  
FIG. 9 is a rear elevational view of the carton with handle of  
FIG. 8;  
FIG. 10 is a front elevational view of the carton with handle of  
FIG. 8;  
FIG. 11 is right side elevational view of the carton with handle  
of FIG. 8;  
FIG. 12 is a left side elevational view of the carton with handle  
of FIG. 8;  
FIG. 13 is a top plan view of the carton with handle of FIG. 8;  
FIG. 14 is a bottom plan view of the carton with handle of  
FIG. 8;  
FIG. 15 is a perspective view of the carton with handle of FIG.  
1 being in an open condition;  
FIG. 16 is a rear elevational view of the carton with handle of  
FIG. 15;  
FIG. 17 is a front elevational view of the carton with handle of  
FIG. 15;  
FIG. 18 is right side elevational view of the carton with handle  
of FIG. 15;  
FIG. 19 is a left side elevational view of the carton with handle  
of FIG. 15;  
FIG. 20 is a top plan view of the carton with handle of FIG. 15;  
and,  
FIG. 21 is a bottom plan view of the carton with handle of  
FIG. 15.

The broken lines depict unclaimed environmental subject  
matter and form no part of the claimed design.

**1 Claim, 11 Drawing Sheets**



(56)

References Cited

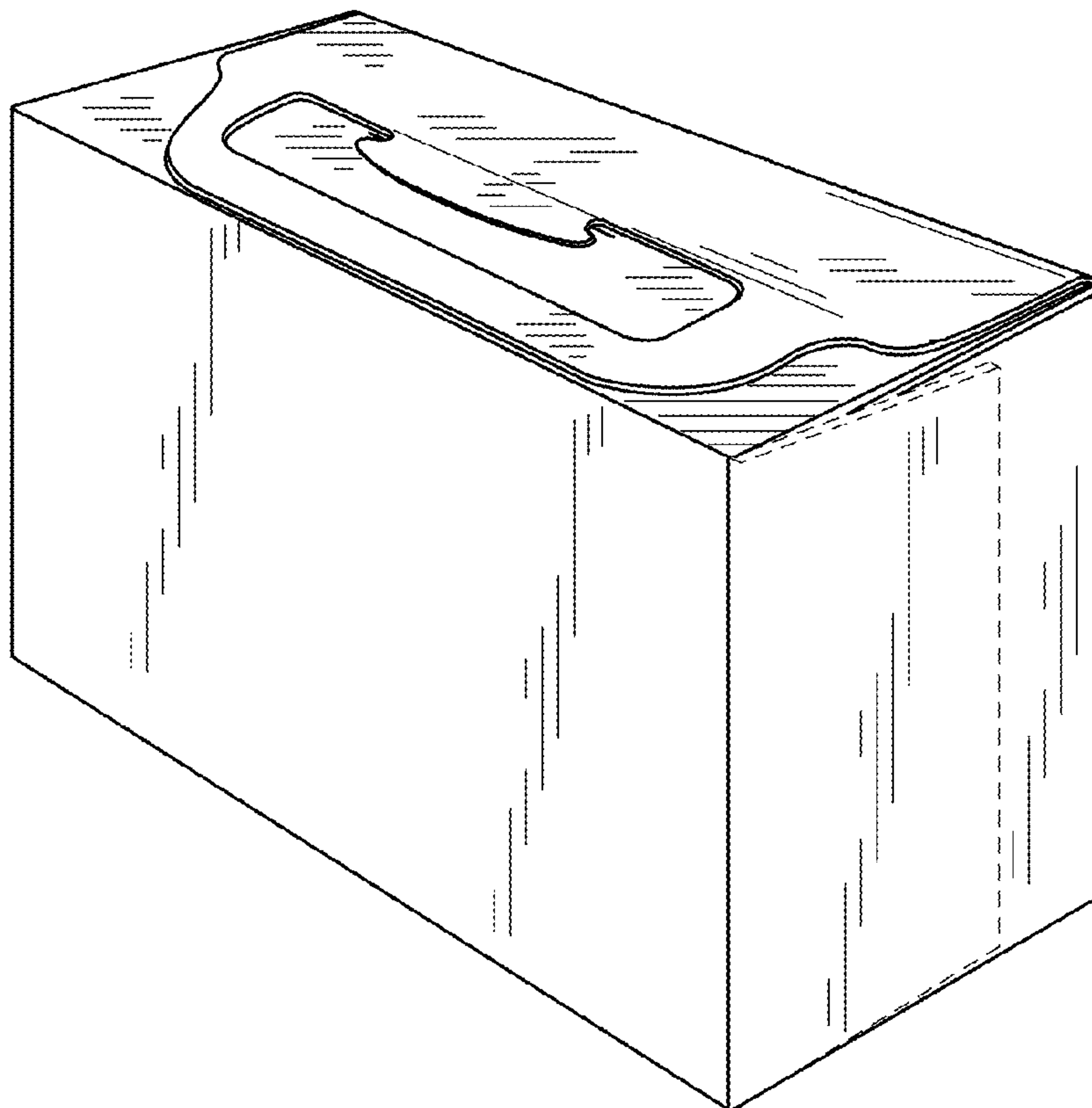
U.S. PATENT DOCUMENTS

1,814,816 A 7/1931 Appelbaum  
 1,845,471 A 2/1932 Zenick  
 1,983,689 A 12/1934 Bedell  
 2,004,358 A 6/1935 Wolf  
 2,323,782 A 7/1943 Kretchmer  
 2,693,310 A \* 11/1954 Stopper ..... B65D 5/0227  
 229/117.15  
 2,758,778 A 8/1956 Arneson  
 3,013,711 A 12/1961 Kronson et al.  
 3,196,759 A 7/1965 Palmer et al.  
 3,239,110 A \* 3/1966 Buter ..... A01C 15/02  
 222/465.1  
 3,341,908 A 9/1967 Lock  
 D292,487 S \* 10/1987 Kea ..... D9/432  
 D307,719 S \* 5/1990 Band ..... D9/418  
 4,941,624 A 7/1990 Schuster  
 5,284,294 A \* 2/1994 Floyd ..... B65D 5/248  
 229/117.15  
 5,358,175 A 10/1994 Cai  
 5,472,090 A 12/1995 Sutherland

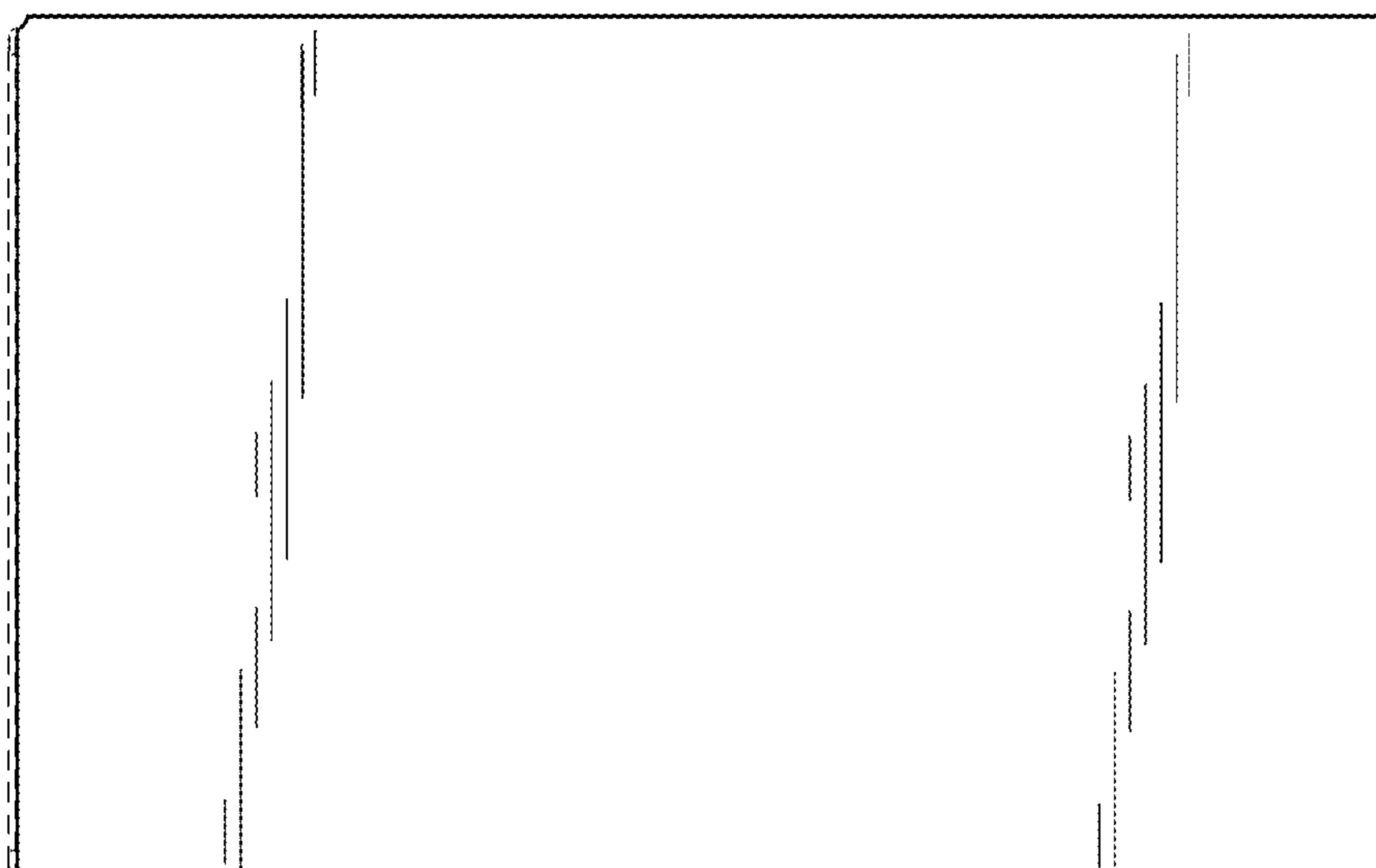
D396,805 S \* 8/1998 Broyles ..... D9/432  
 5,899,377 A 5/1999 Speese et al.  
 D418,751 S \* 1/2000 Wolf ..... D9/432  
 D446,448 S \* 8/2001 Jernigan ..... D9/418  
 6,866,187 B2 3/2005 Reagan et al.  
 7,143,931 B2 12/2006 Johnson  
 7,204,405 B2 4/2007 Johnson  
 7,380,703 B2 6/2008 Ogden  
 7,699,163 B2 4/2010 Gomes et al.  
 7,743,969 B2 6/2010 Bokel  
 7,775,418 B2 8/2010 Walling  
 7,984,843 B2 7/2011 Cooper et al.  
 7,998,047 B2 8/2011 Spivey, Sr. et al.  
 8,511,463 B2 8/2013 Brand  
 D713,721 S \* 9/2014 Graves ..... D9/432  
 D721,954 S \* 2/2015 Kauanui ..... D9/431  
 D744,825 S \* 12/2015 Johansen ..... D9/418  
 2010/0270367 A1 10/2010 Brandenburger  
 2012/0228319 A1 9/2012 Cook et al.  
 2014/0203070 A1 \* 7/2014 Lee ..... B65D 5/0005  
 229/101  
 2015/0291304 A1 \* 10/2015 Bell ..... B65D 5/103  
 229/126

\* cited by examiner

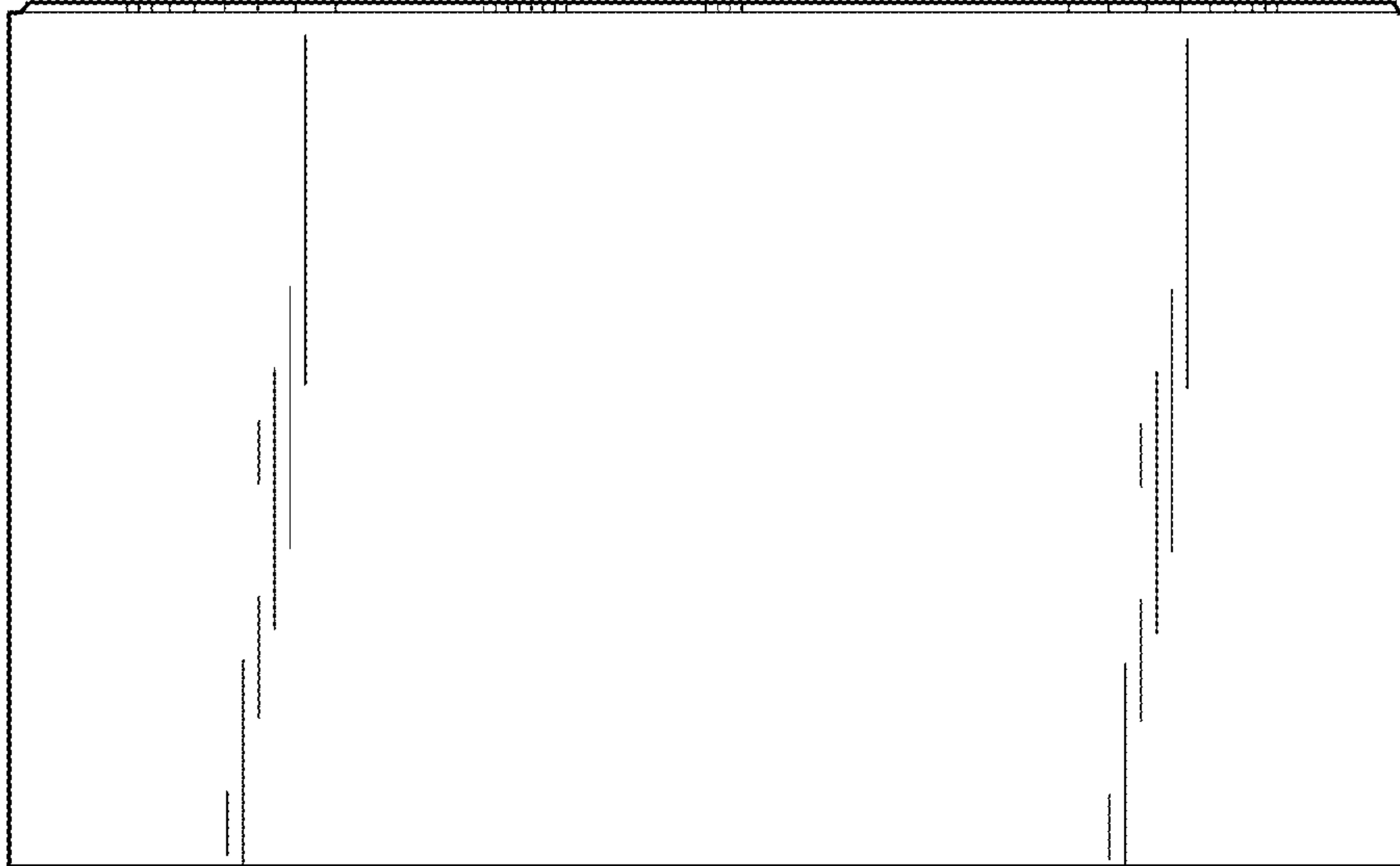
**FIG. 1**



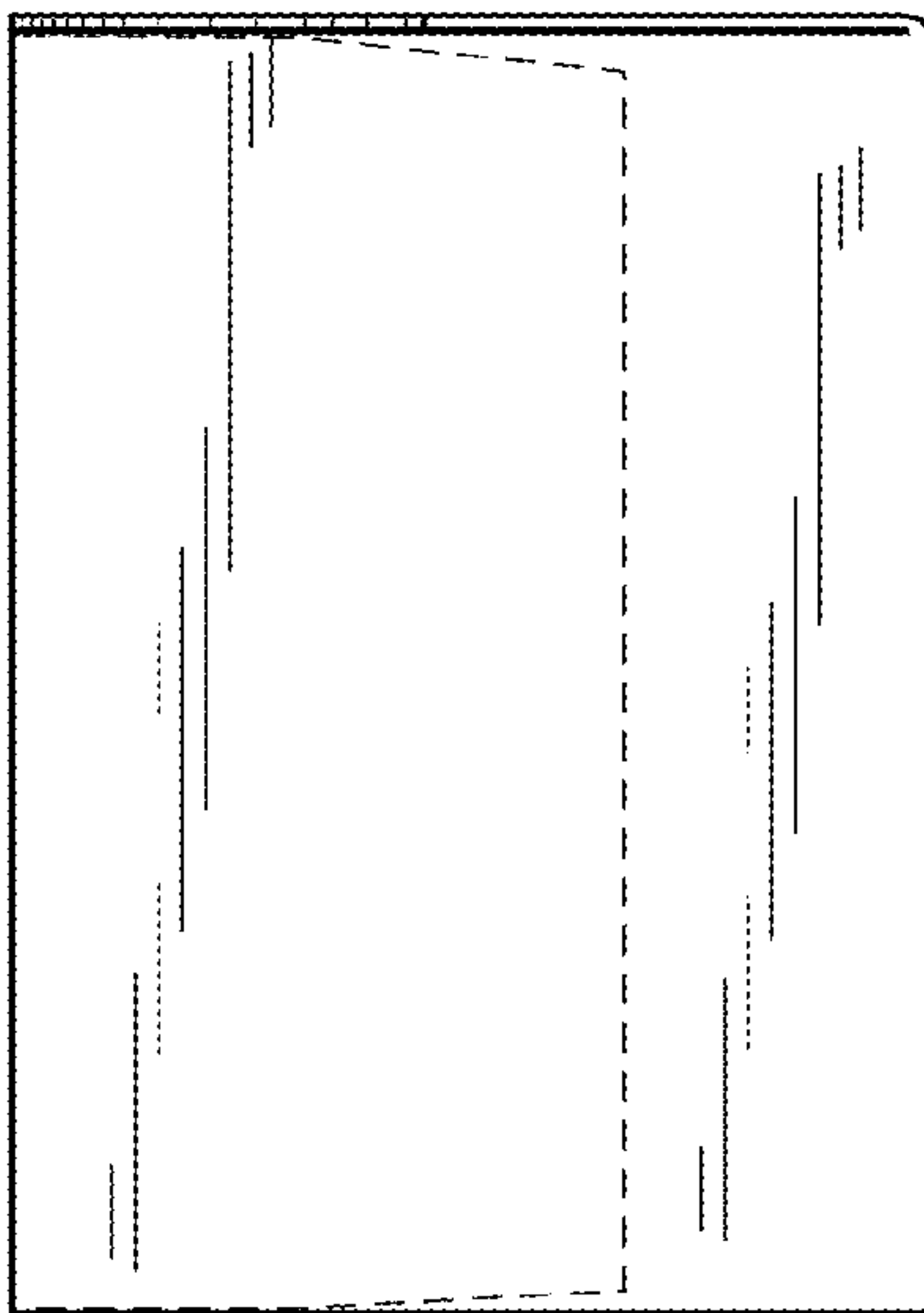
**FIG. 2**



**FIG. 3**



**FIG. 4**



**FIG. 5**

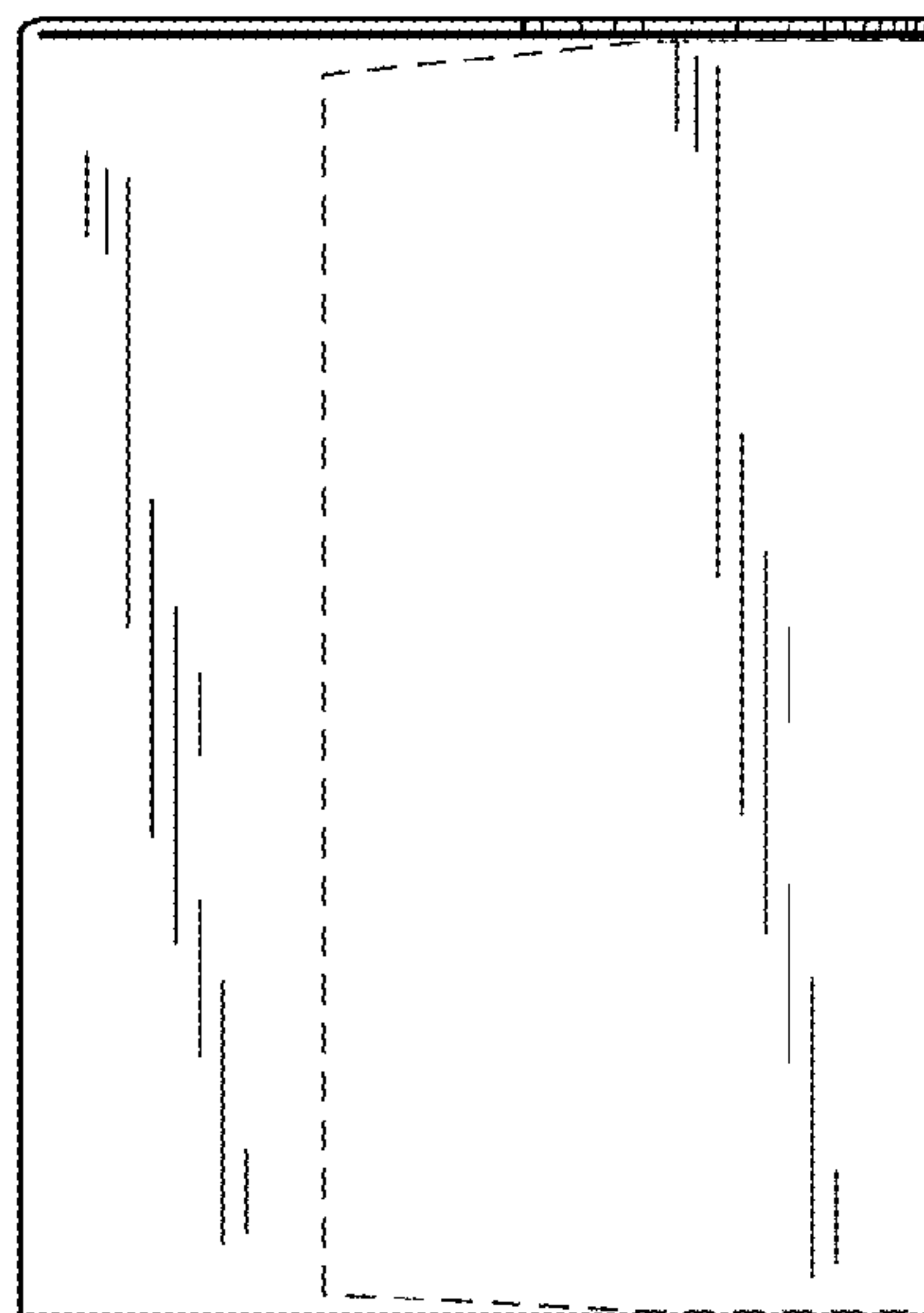


FIG. 6

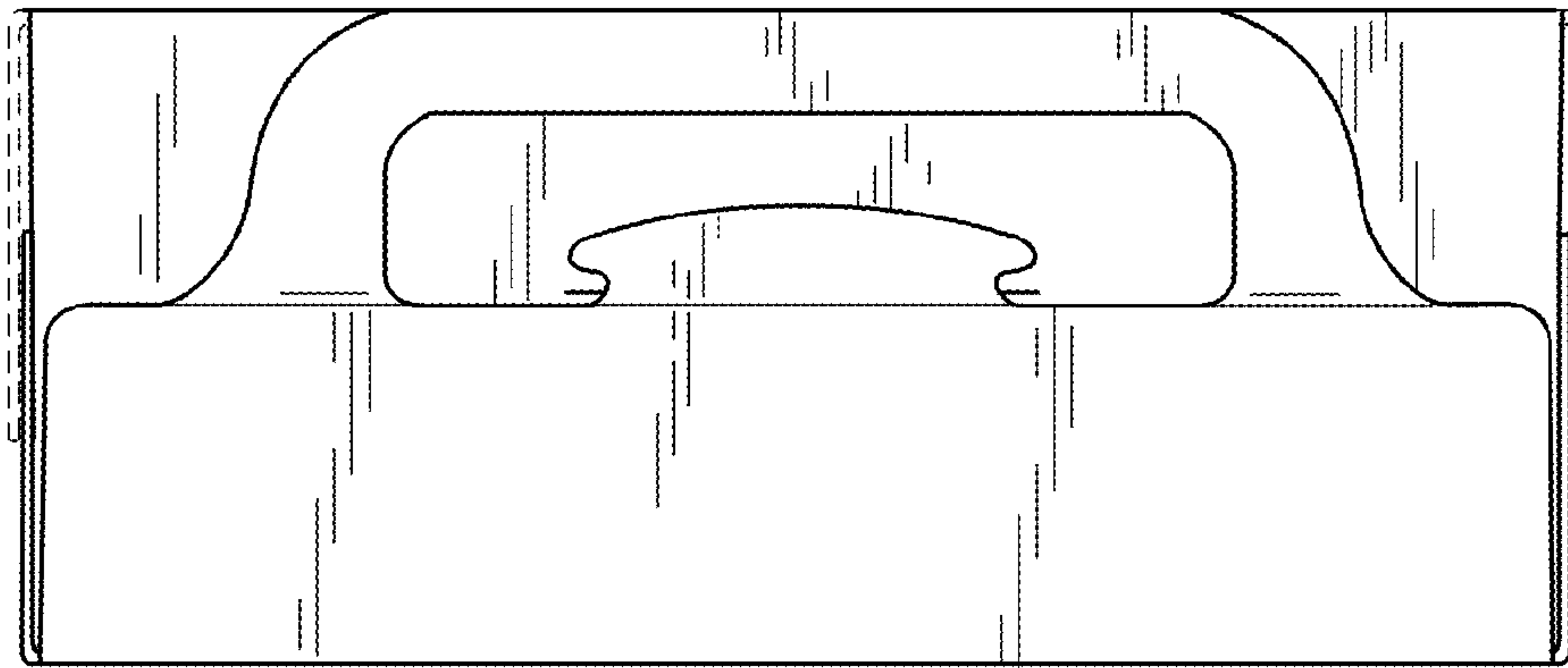


FIG. 7

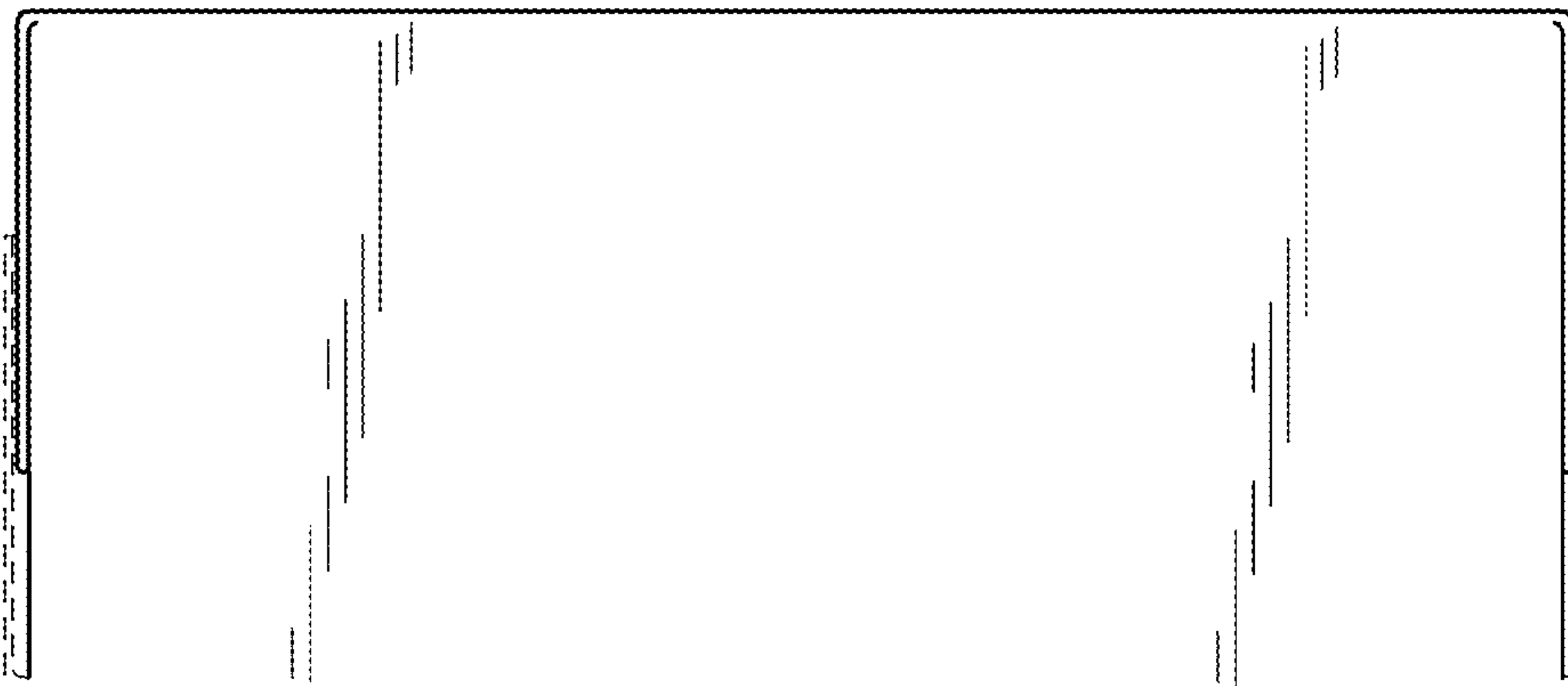




FIG. 8

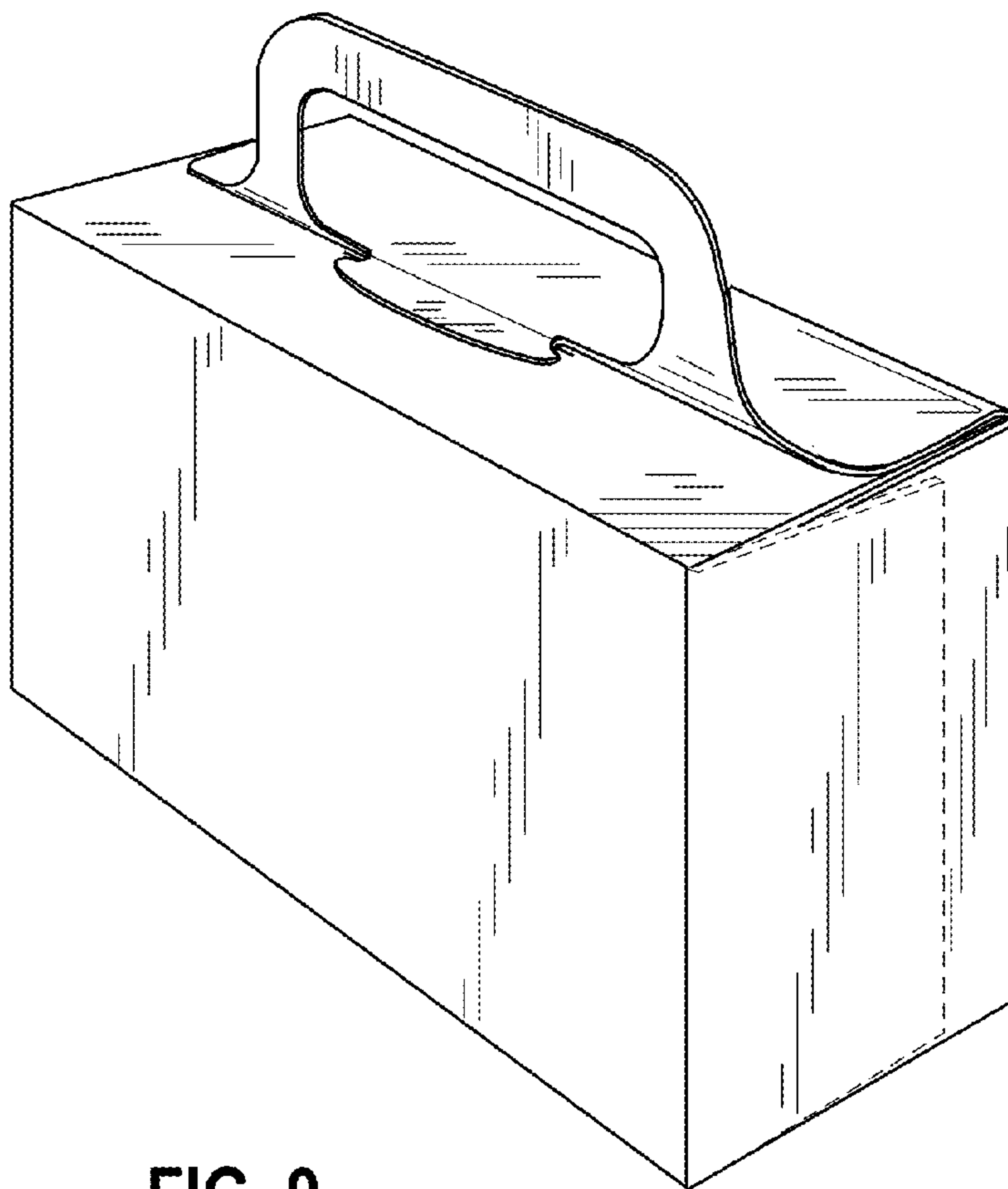
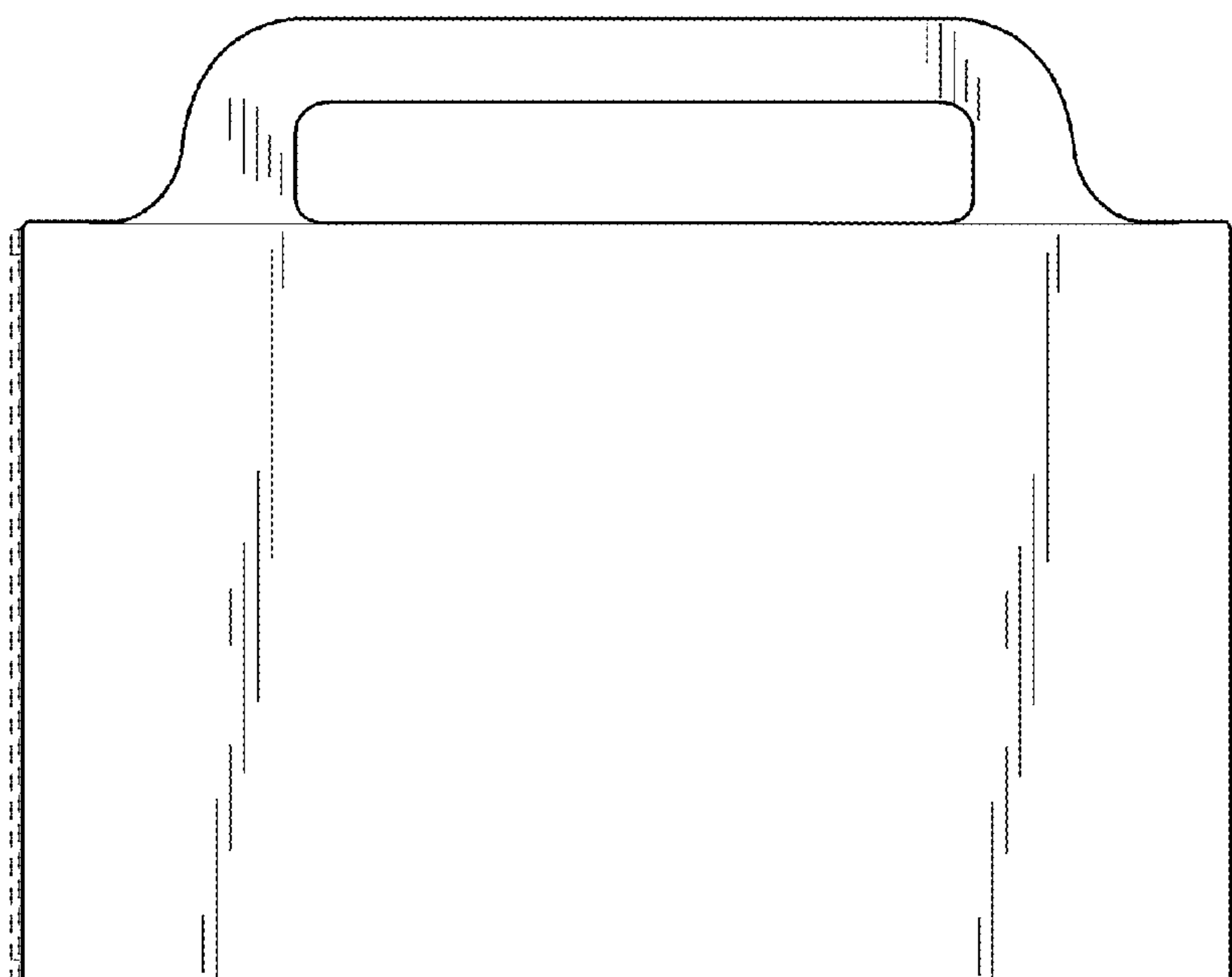
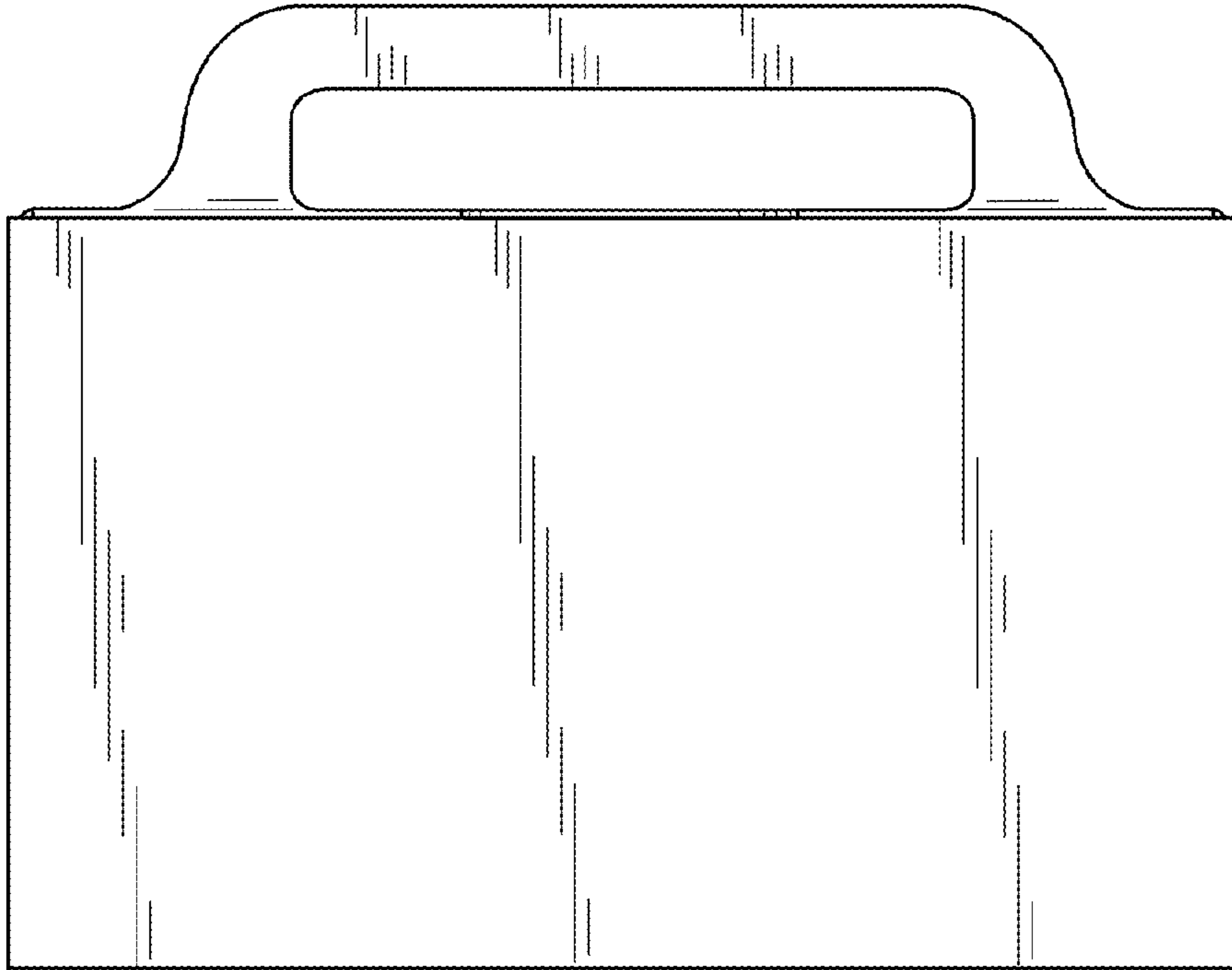


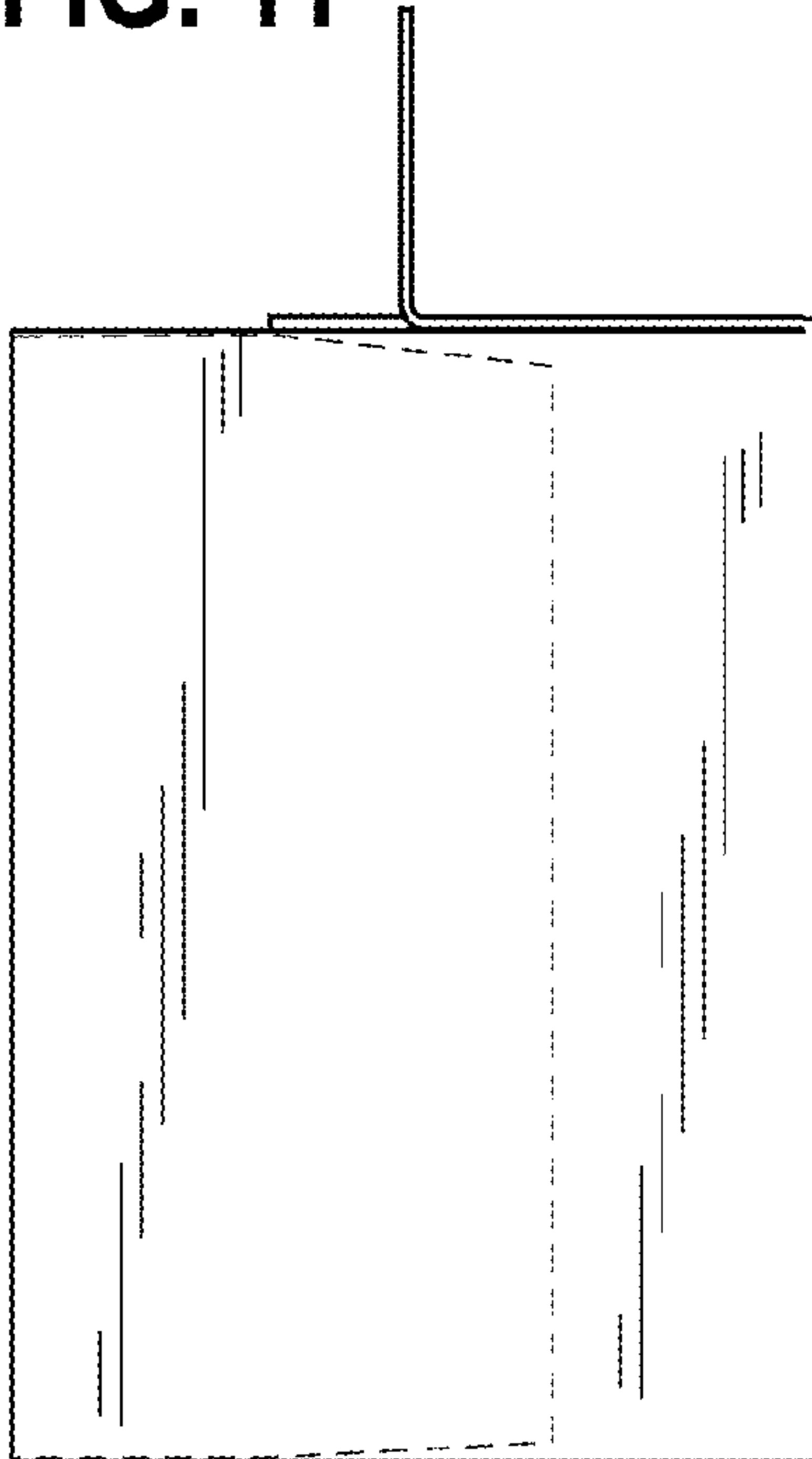
FIG. 9



**FIG. 10**



**FIG. 11**



**FIG. 12**

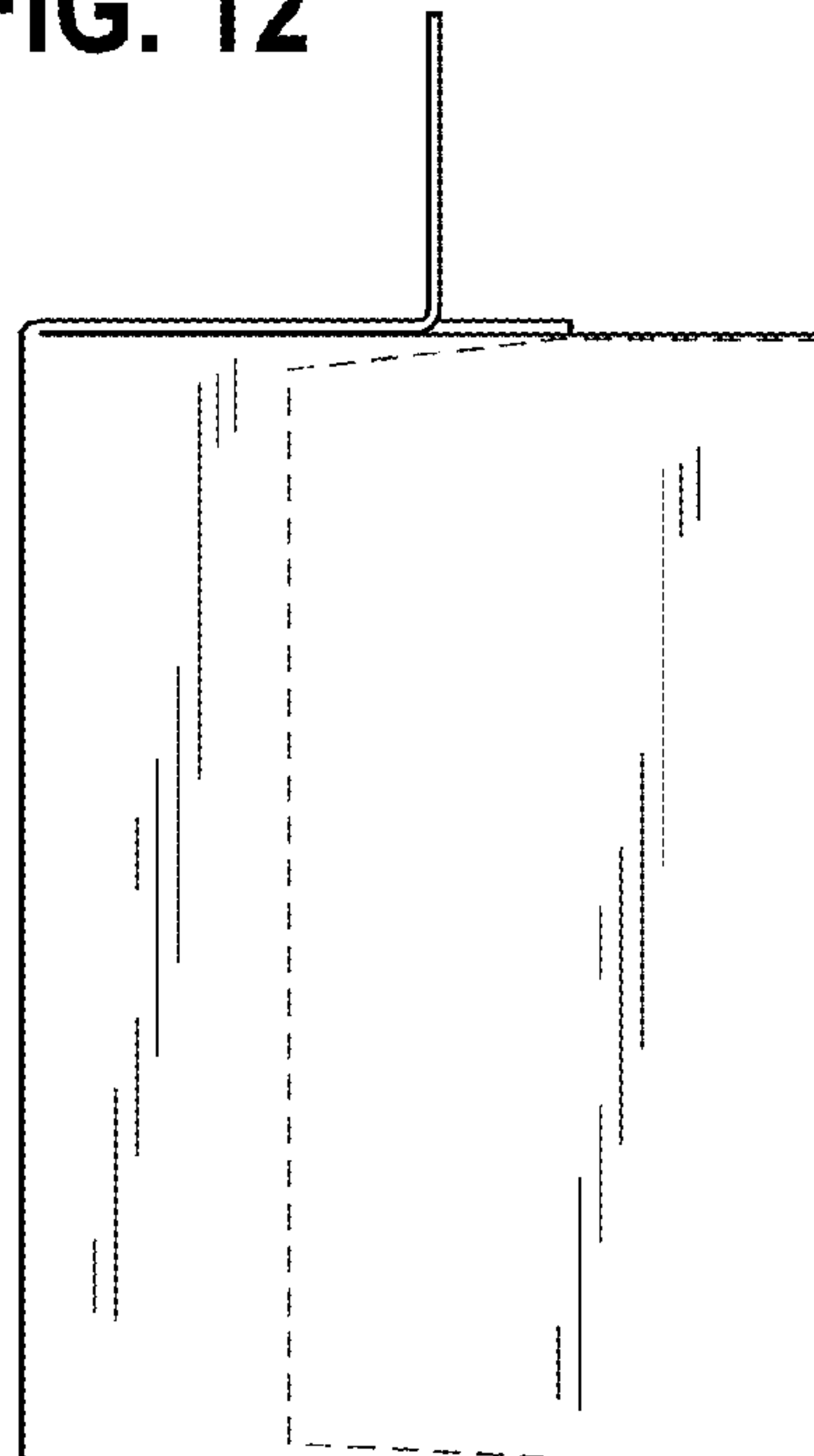


FIG. 13

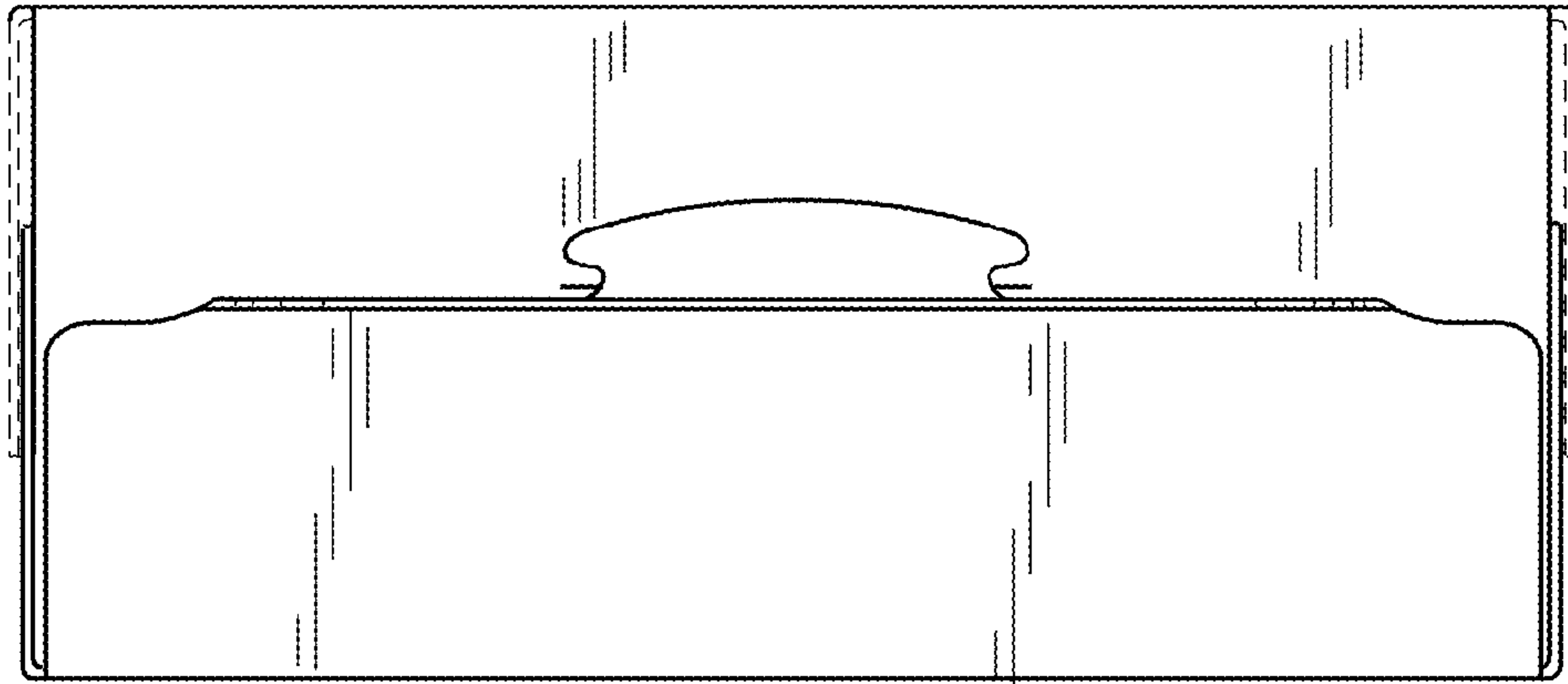
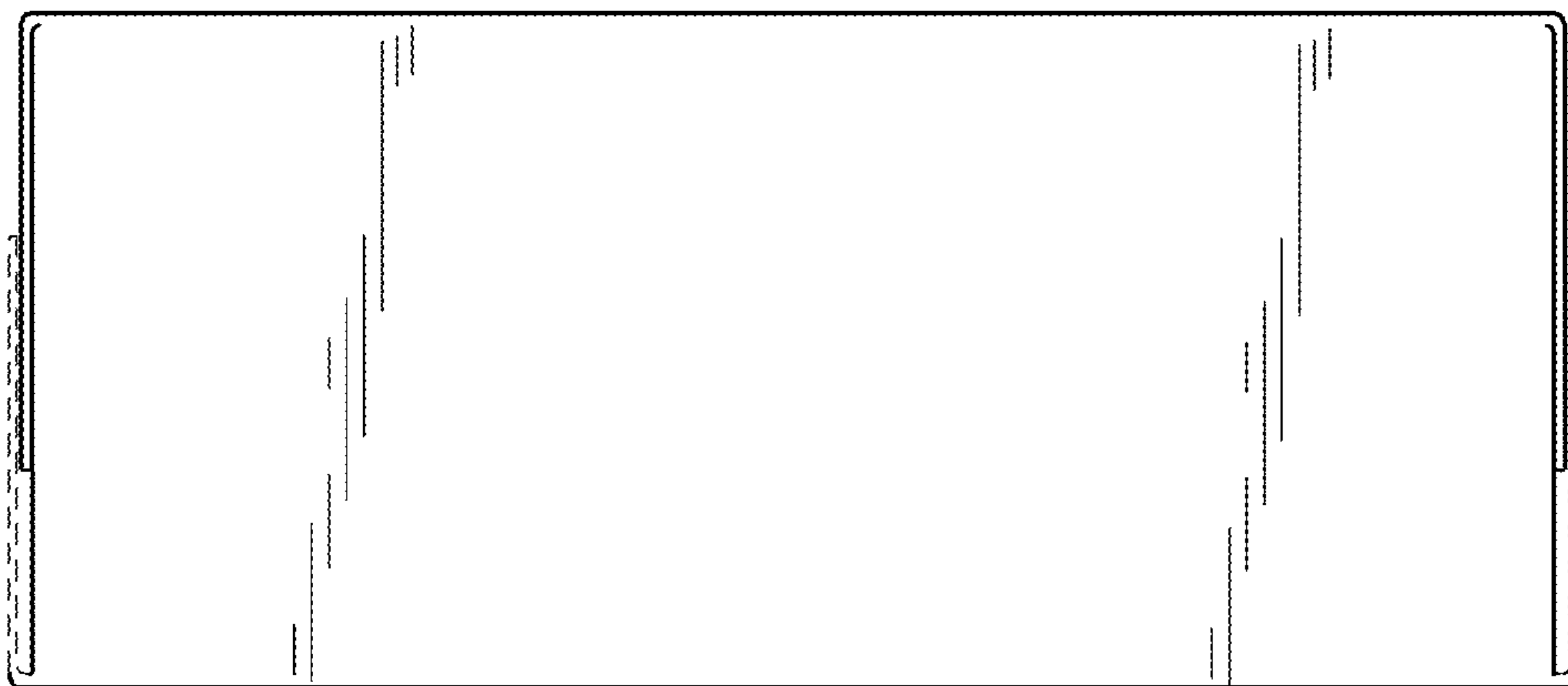


FIG. 14





**FIG. 15**

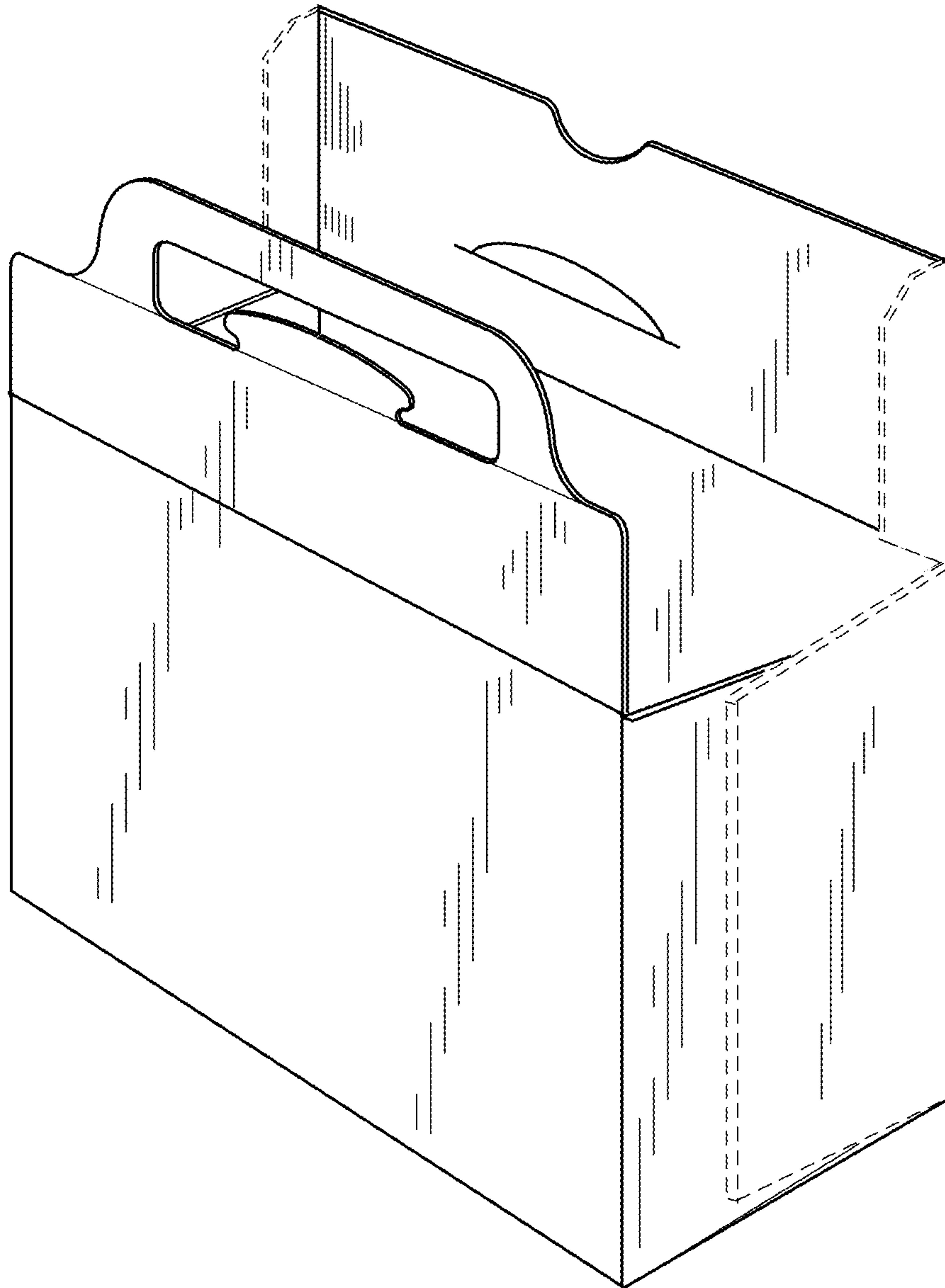


FIG. 16

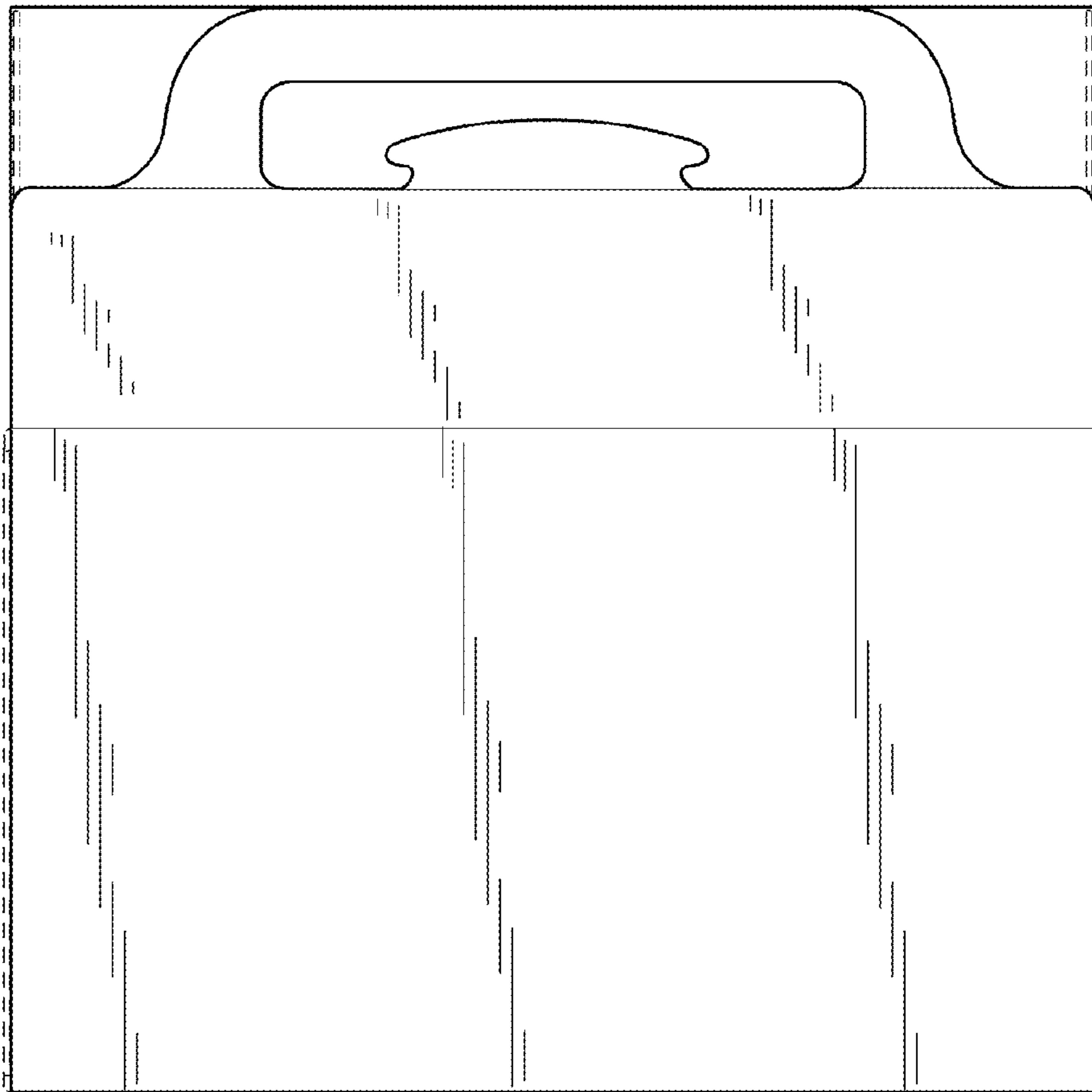
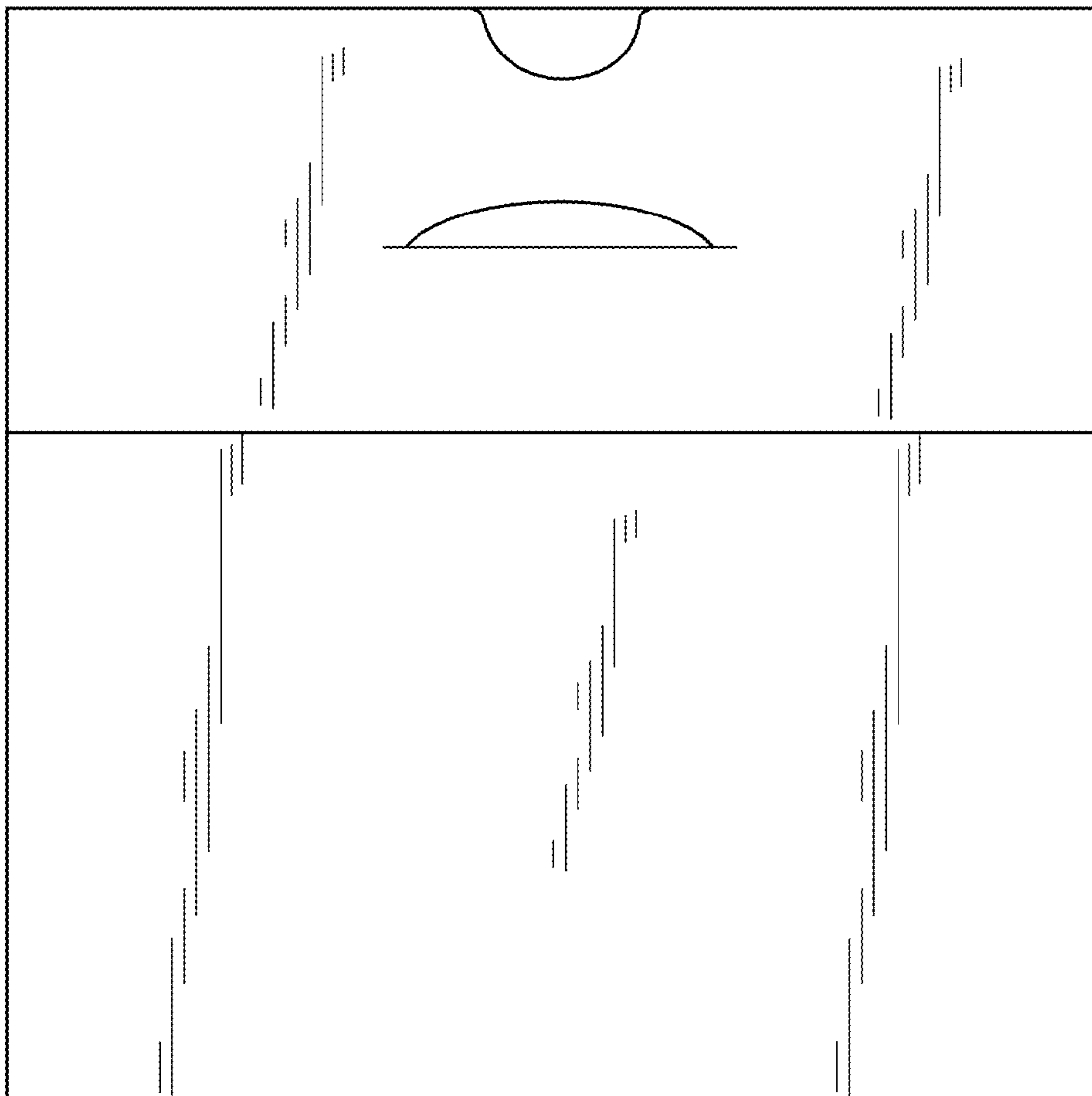
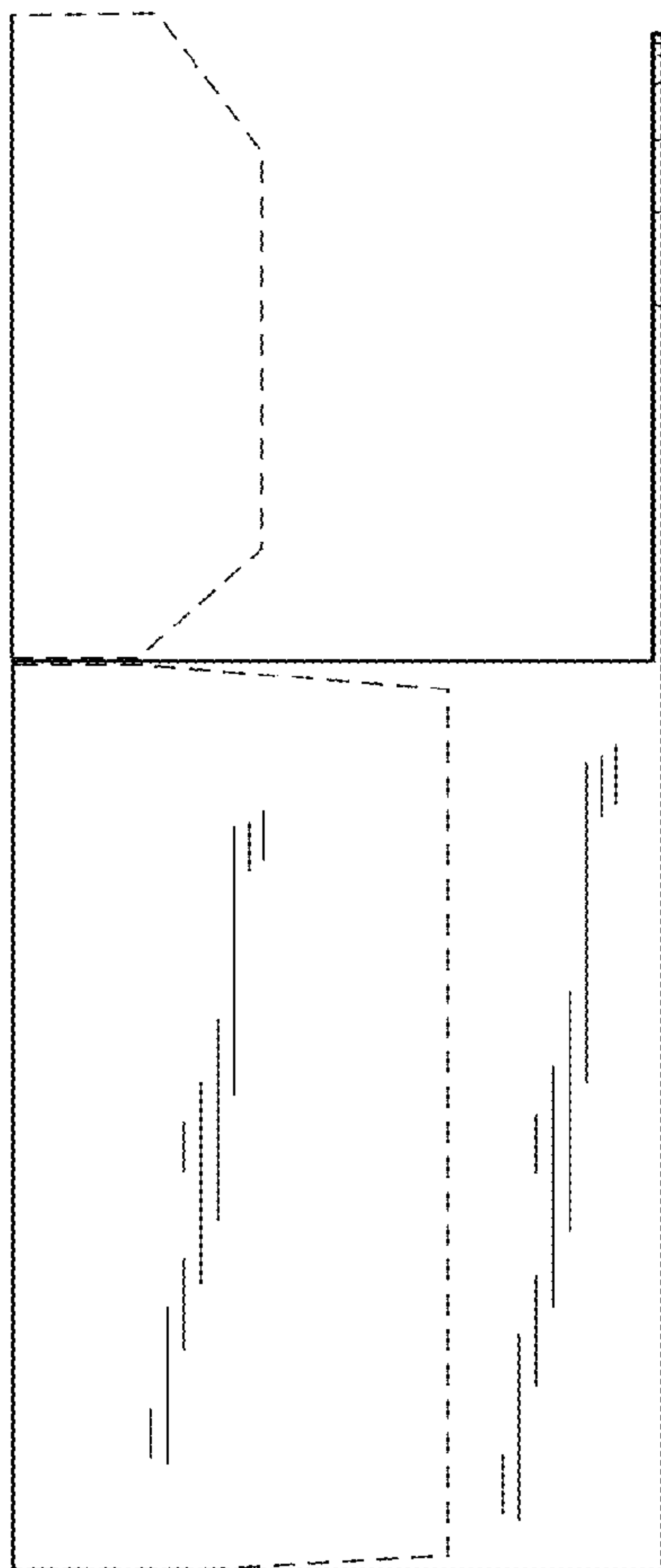


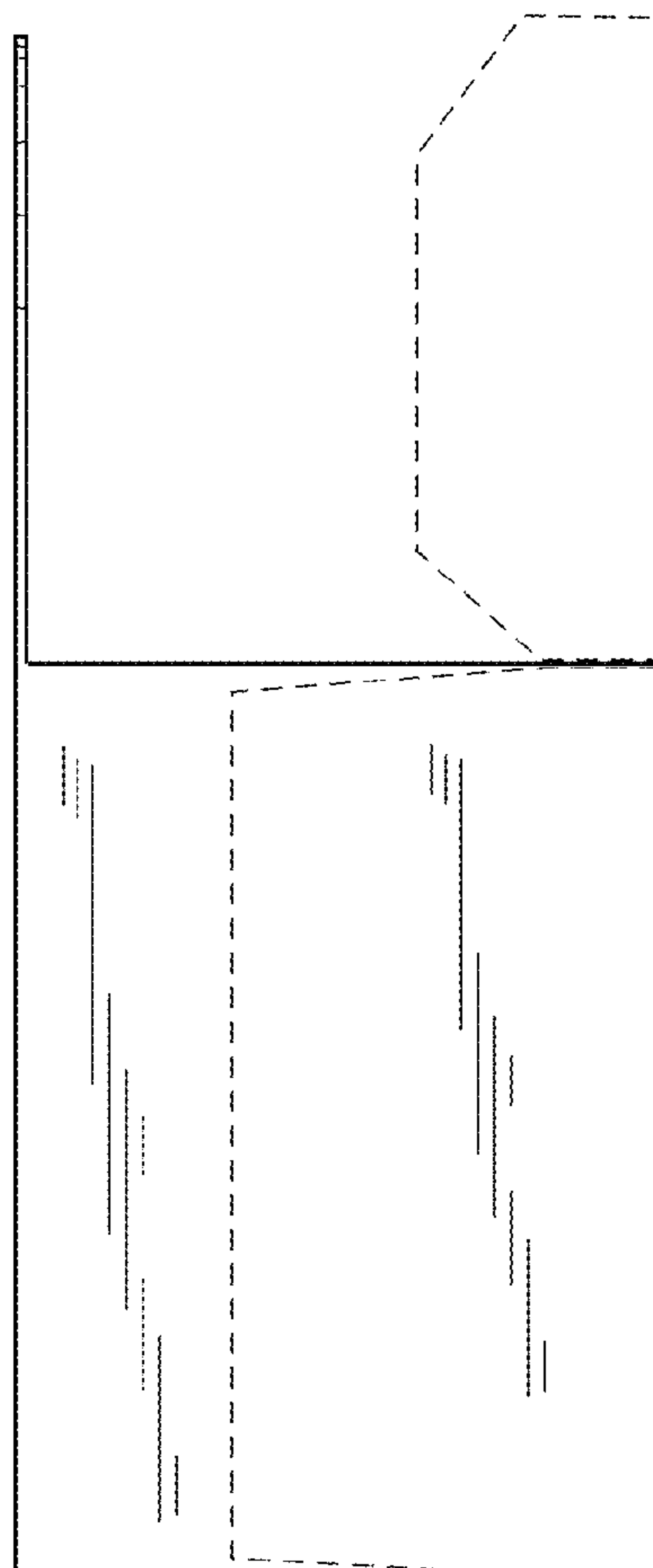
FIG. 17



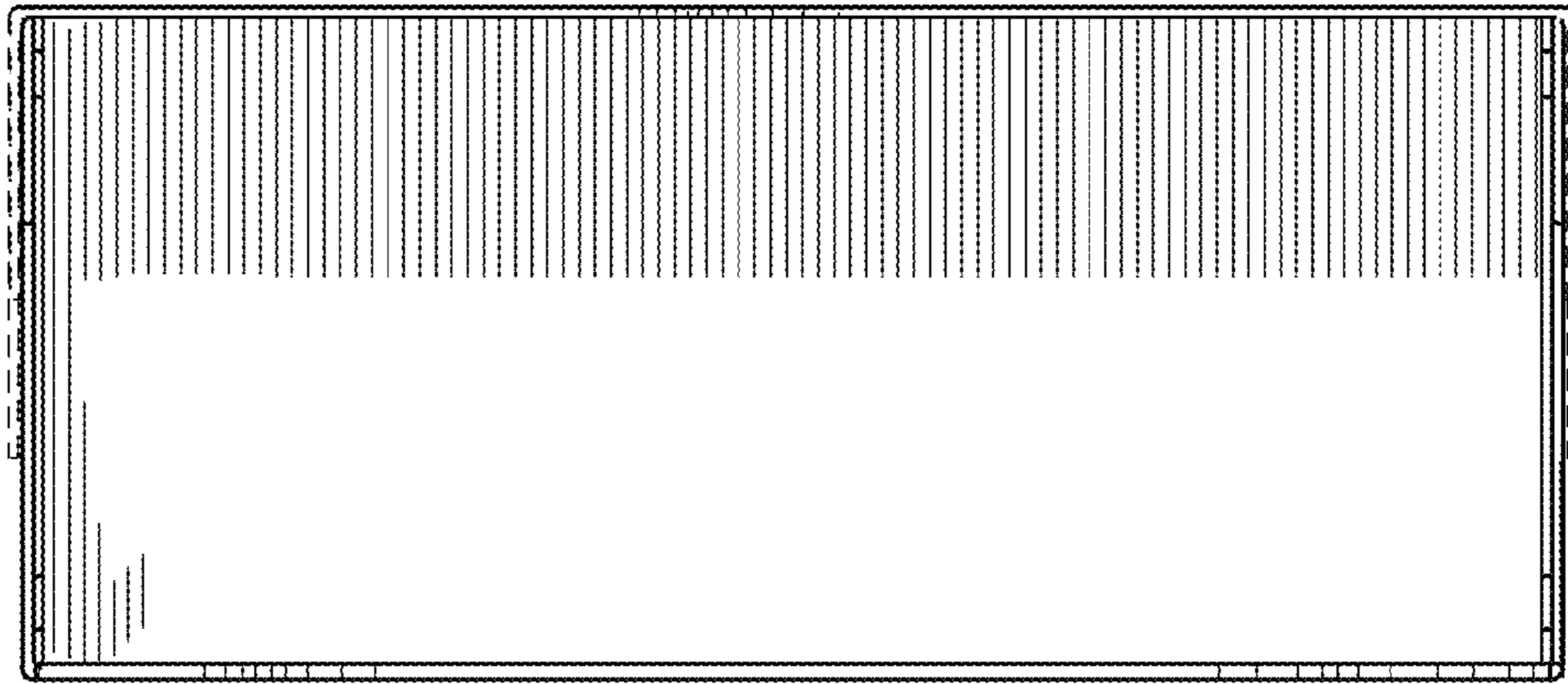
**FIG. 18**



**FIG. 19**



**FIG. 20**



**FIG. 21**

