



US00D764287S

(12) **United States Design Patent**  
**Birgers**

(10) **Patent No.:** **US D764,287 S**

(45) **Date of Patent:** **\*\* Aug. 23, 2016**

(54) **SMARTWATCH CONTAINER WITH LABEL**

(71) Applicant: **Christopher J Birgers**, Cupertino, CA  
(US)

(72) Inventor: **Christopher J Birgers**, Cupertino, CA  
(US)

(\*\*) Term: **14 Years**

(21) Appl. No.: **29/512,265**

(22) Filed: **Dec. 17, 2014**

(51) **LOC (10) Cl.** ..... **09-03**

(52) **U.S. Cl.**  
USPC ..... **D9/432**

(58) **Field of Classification Search**  
USPC ..... D9/414-415, 417, 418, 420-427,  
D9/430-434, 634, 721, 783-744, 751, 756,  
D9/759, 760; D3/272, 273, 302, 304-309,  
D3/315; D7/601, 602, 609, 619.1, 630  
CPC ..... B65D 5/00-5/02; B65D 5/0209-5/0272;  
B65D 5/029; B65D 5/40; B65D 5/72; B65D  
5/727

See application file for complete search history.

(56) **References Cited**

**U.S. PATENT DOCUMENTS**

D98,419 S *	2/1936	Deline	.....	D9/418
D138,413 S *	8/1944	Powers	.....	D9/430
D333,615 S *	3/1993	Zutler	.....	D3/294
D345,101 S	3/1994	Abrams		
D395,600 S	6/1998	Borghorst et al.		
D429,085 S	8/2000	Welty et al.		
6,305,533 B1	10/2001	Welty et al.		
D548,592 S	8/2007	Kudo et al.		
D606,855 S	12/2009	Jo et al.		

D624,816 S	10/2010	Lutzig		
7,870,994 B2	1/2011	Spivey, Sr. et al.		
D698,151 S	1/2014	Arehart et al.		
D698,664 S	2/2014	Abbott		
8,752,708 B2	6/2014	Keefe		
D708,069 S *	7/2014	Park	.....	D9/432
D708,963 S	7/2014	Redpath et al.		
8,789,703 B2	7/2014	Couture et al.		
D733,550 S *	7/2015	Birgers	.....	D9/414
RE45,741 E *	10/2015	Ogura	.....	D13/182

**OTHER PUBLICATIONS**

United States Patent and Trademark Office, Office Action for U.S.  
Appl. No. 29/473,284, Oct. 3, 2014, 6 pages.

\* cited by examiner

*Primary Examiner* — Vy Koenig

(74) *Attorney, Agent, or Firm* — Kolisch Hartwell, P.C.

(57) **CLAIM**

I claim the ornamental design for a smartwatch container with  
label, as shown and described.

**DESCRIPTION**

FIG. 1 is a top right front perspective view of a smartwatch  
container with label.

FIG. 2 is a front elevational view thereof.

FIG. 3 is a rear elevational view thereof.

FIG. 4 is a right side elevational view thereof, the left side  
elevational view being a mirror image thereof.

FIG. 5 is a top plan view thereof; and,

FIG. 6 is a bottom plan view thereof.

The shading lines shown in the drawings represent the  
approximate three-dimensional contour of the design, and are  
not intended to indicate surface decoration.

**1 Claim, 2 Drawing Sheets**

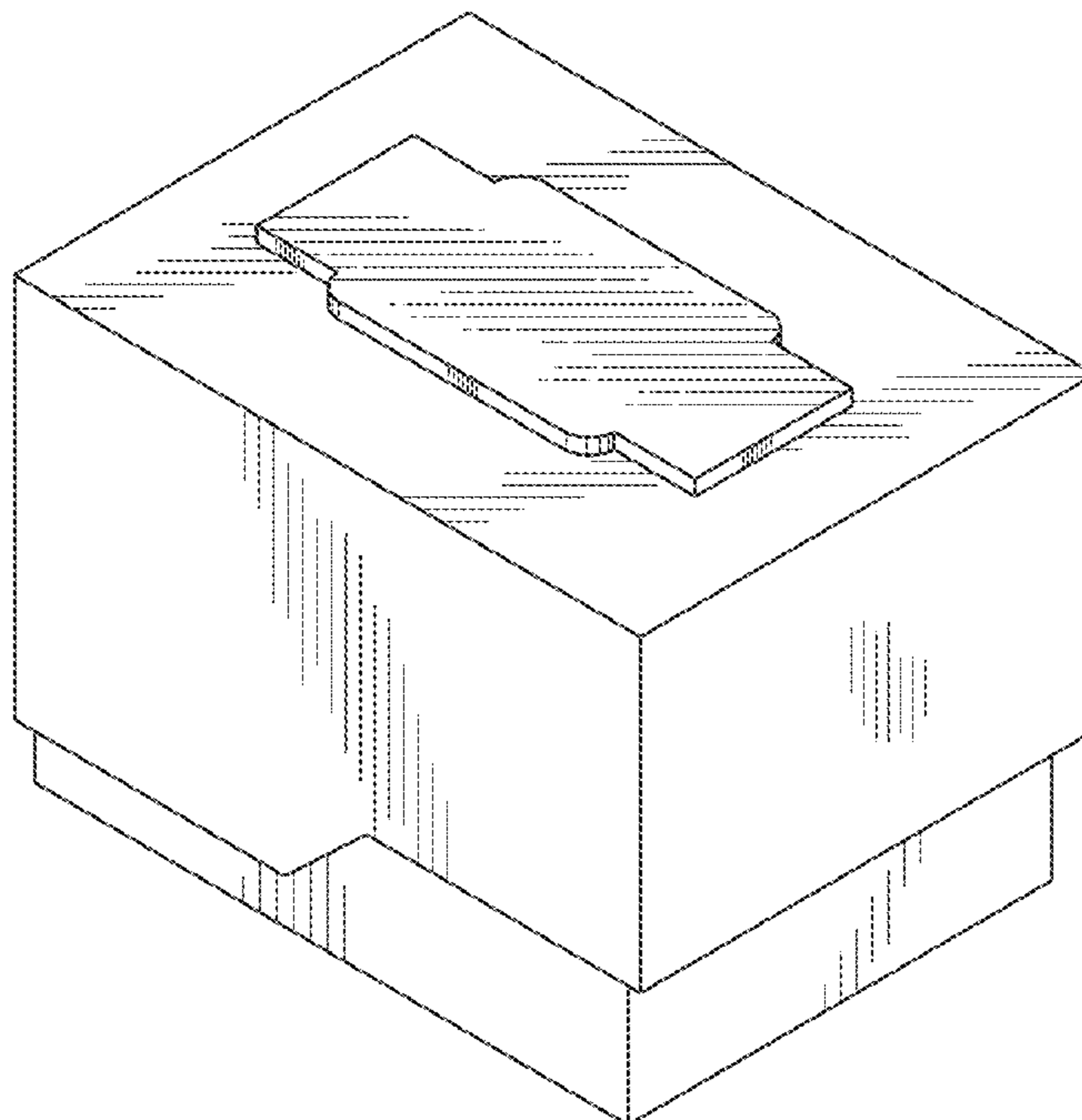


Fig. 1

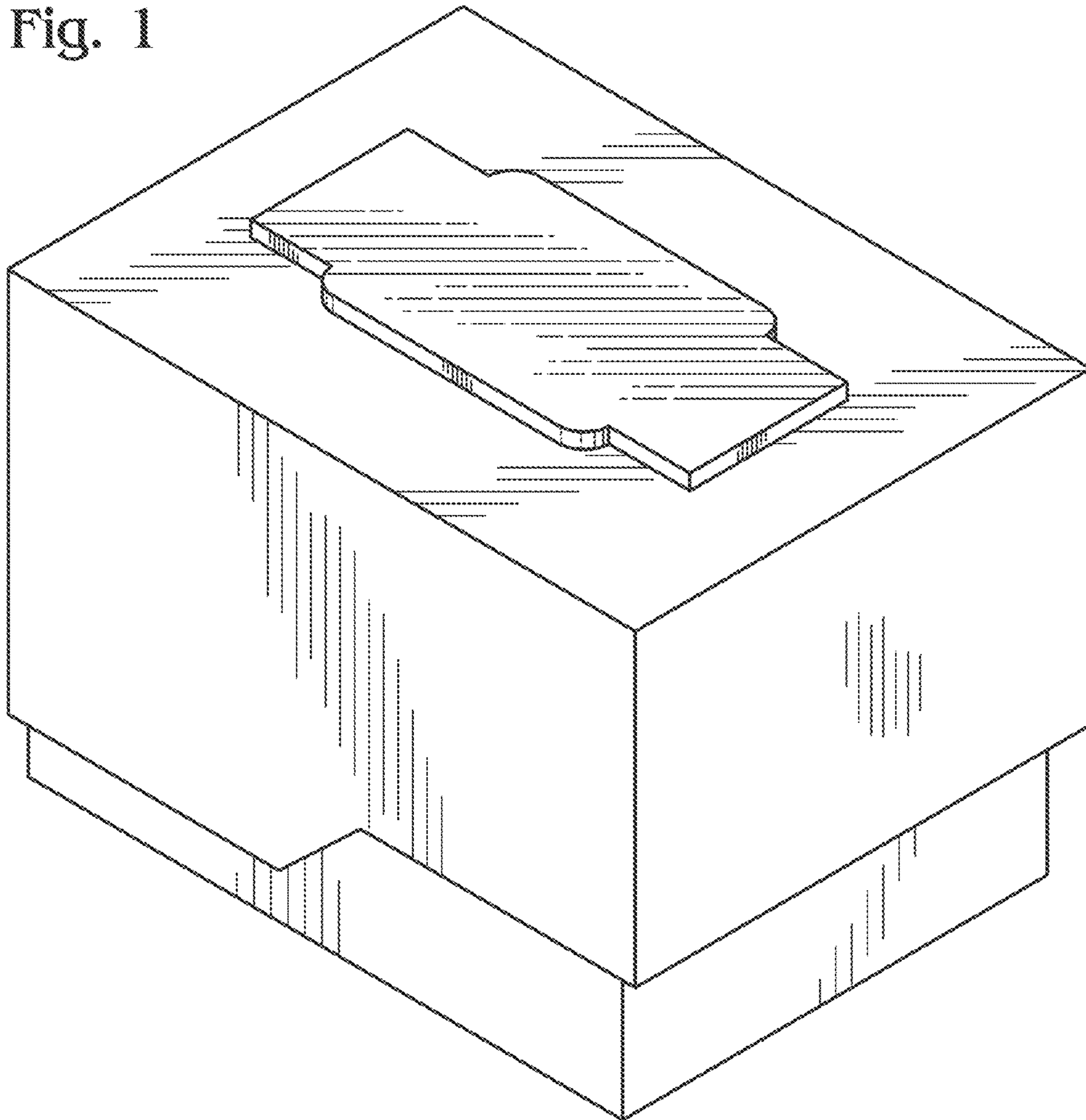


Fig. 2

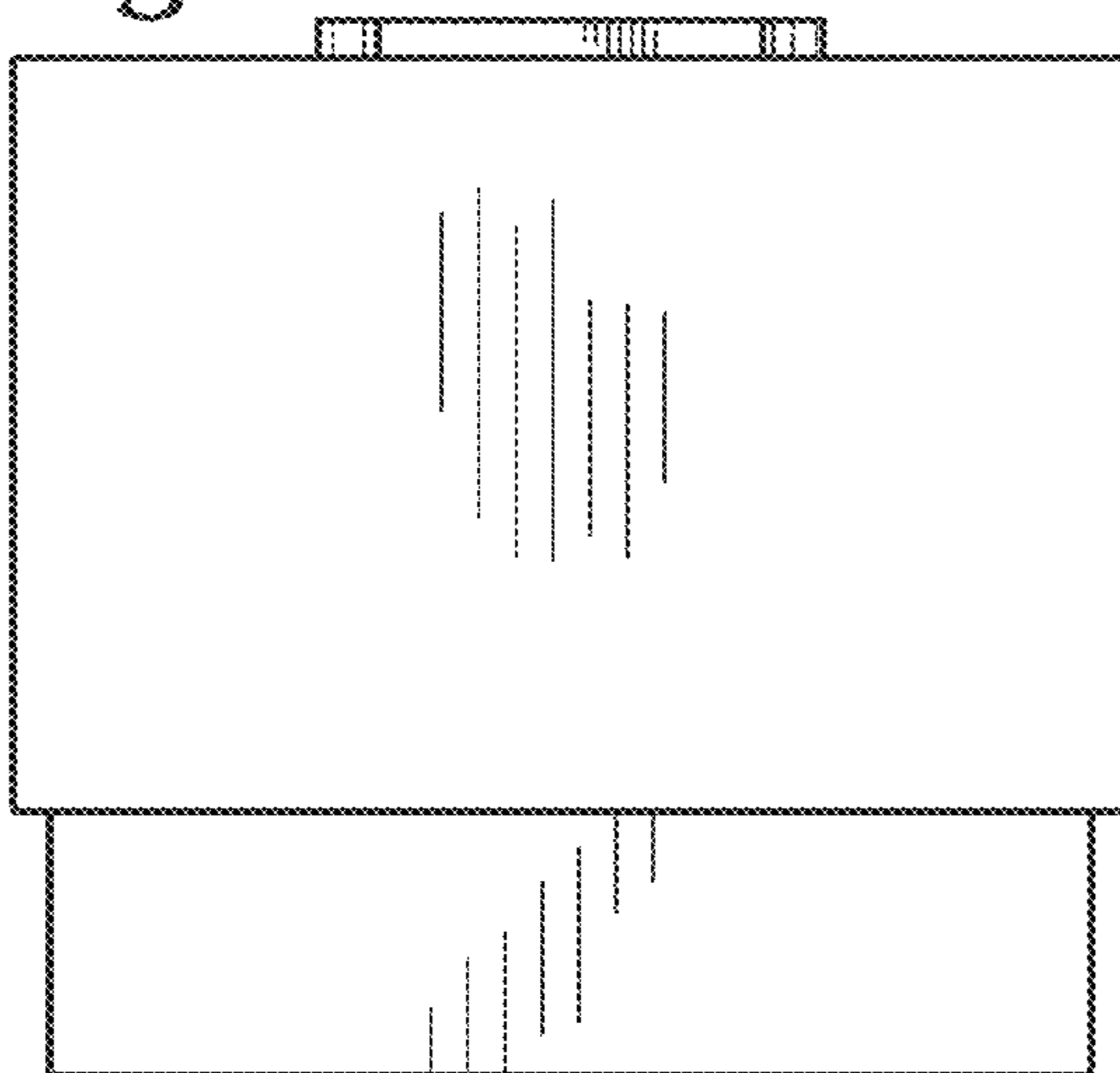


Fig. 3

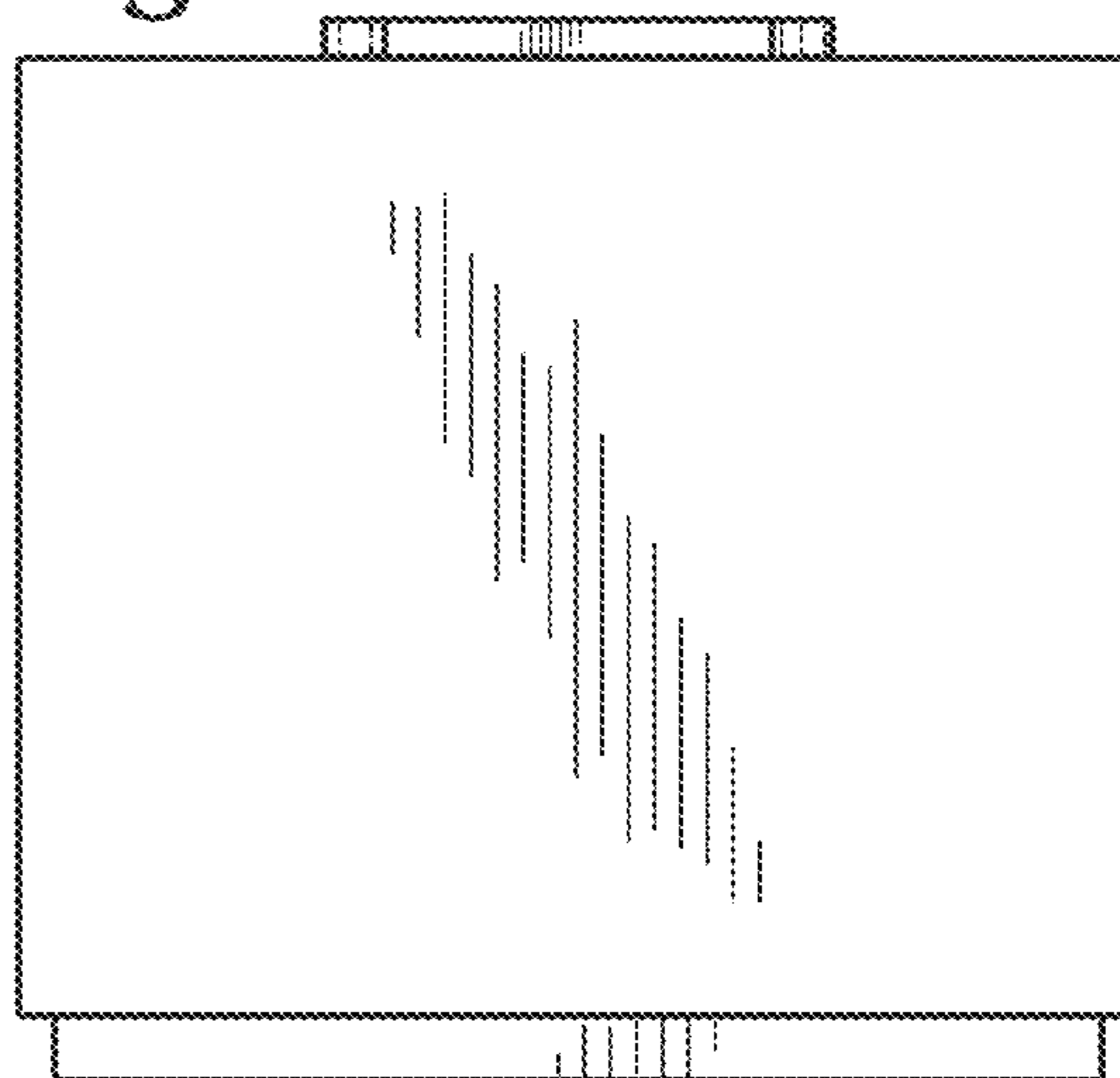


Fig. 4

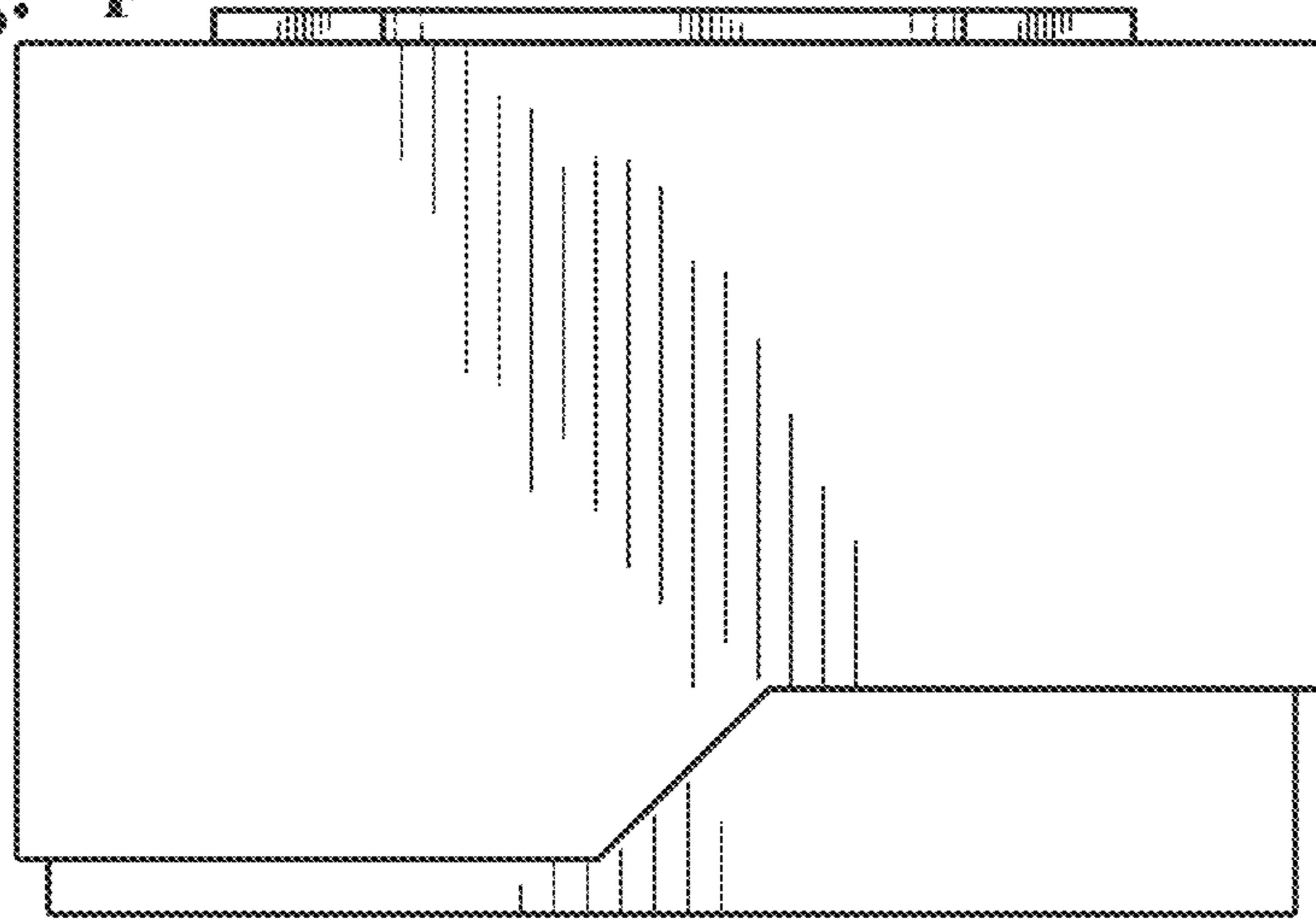


Fig. 5

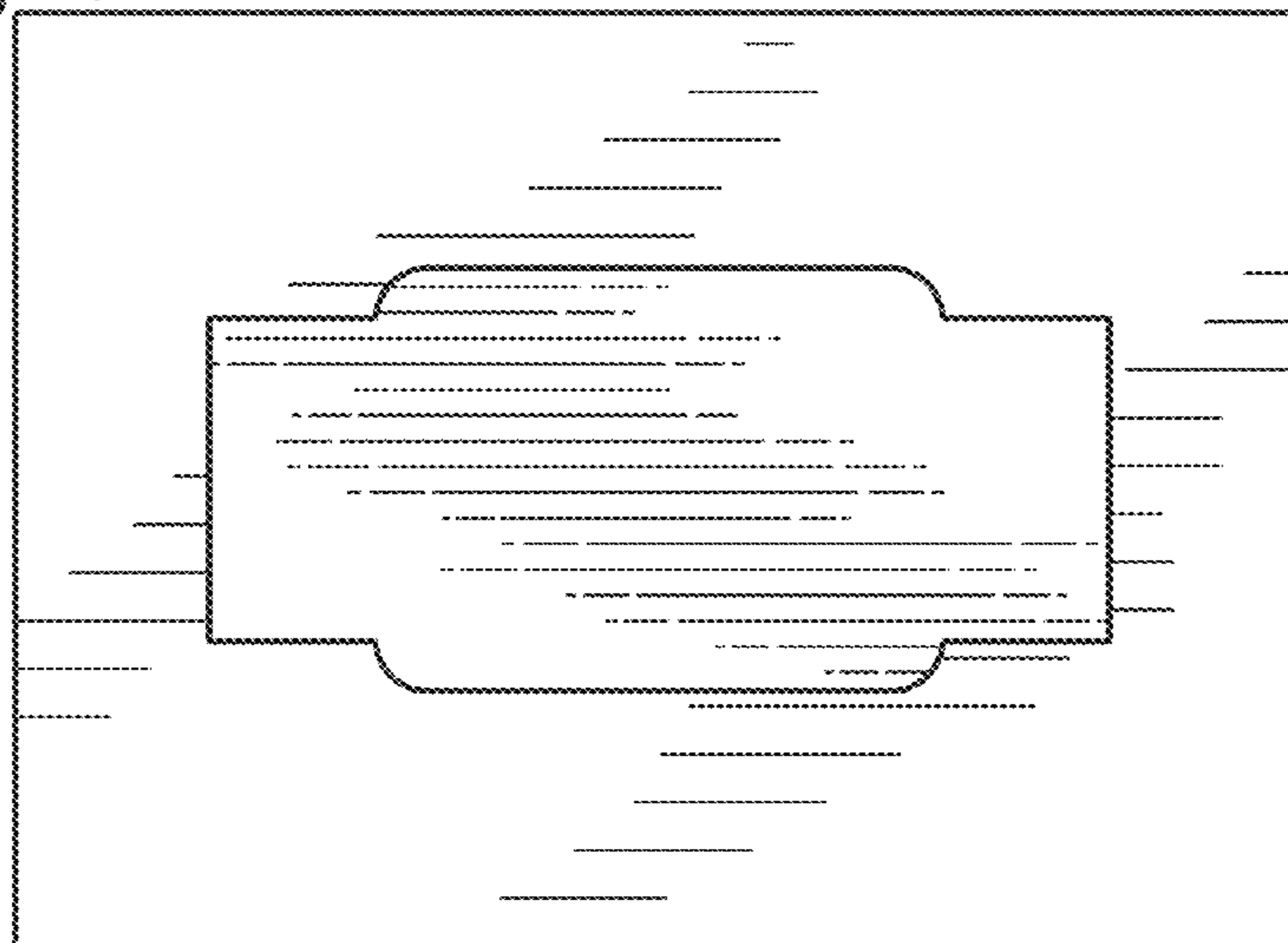


Fig. 6

