



US00D764281S

(12) **United States Design Patent**
Mayer

(10) **Patent No.:** **US D764,281 S**
(45) **Date of Patent:** **** Aug. 23, 2016**

- (54) **CLOSEABLE CONTAINER**
- (71) Applicant: **Inno-Pak, LLC**, Delaware, OH (US)
- (72) Inventor: **Steven A. Mayer**, Indianapolis, IN (US)
- (73) Assignee: **Inno-Pak, LLC**, Delaware, OH (US)
- (**) Term: **14 Years**
- (21) Appl. No.: **29/521,082**
- (22) Filed: **Mar. 19, 2015**
- (51) **LOC (10) Cl.** **09-03**
- (52) **U.S. Cl.**
USPC **D9/431; D9/420; D9/433**
- (58) **Field of Classification Search**
USPC D9/414-418, 420-427, 430-434, 634,
D9/649, 653, 667, 669, 707, 711-713,
D9/733-744, 751, 756, 759, 760; D3/272,
D3/273, 302, 304-309, 315; D7/601, 602,
D7/609, 619.1, 630
CPC B65D 5/00-5/02; B65D 5/0209-5/0272;
B65D 5/029; B65D 5/40; B65D 5/72; B65D
5/727; B65D 31/10-31/18; B65D 35/04;
B65D 35/56
See application file for complete search history.

(56) **References Cited**

U.S. PATENT DOCUMENTS

D194,246 S	*	12/1962	Engelmann	D9/420
D211,564 S	*	7/1968	Bailey	D9/433
D394,385 S	*	5/1998	Laughlin	D9/431
D397,294 S	*	8/1998	Saulas	D9/430

D412,398 S	*	8/1999	Watabe	D3/294
D519,366 S	*	4/2006	Epstein	D9/431
D519,830 S	*	5/2006	Yocum	D9/420
D675,920 S	*	2/2013	Sill	D9/432
D684,465 S	*	6/2013	Vernon	D9/421
D684,858 S	*	6/2013	Sill	D9/421
D688,552 S	*	8/2013	Vernon	D7/602
D730,178 S	*	5/2015	Fullan	D9/432
D752,429 S	*	3/2016	Mayer	D9/420

* cited by examiner

Primary Examiner — Vy Koenig

(74) *Attorney, Agent, or Firm* — Ward and Smith, P.A.; Ryan K. Simmons

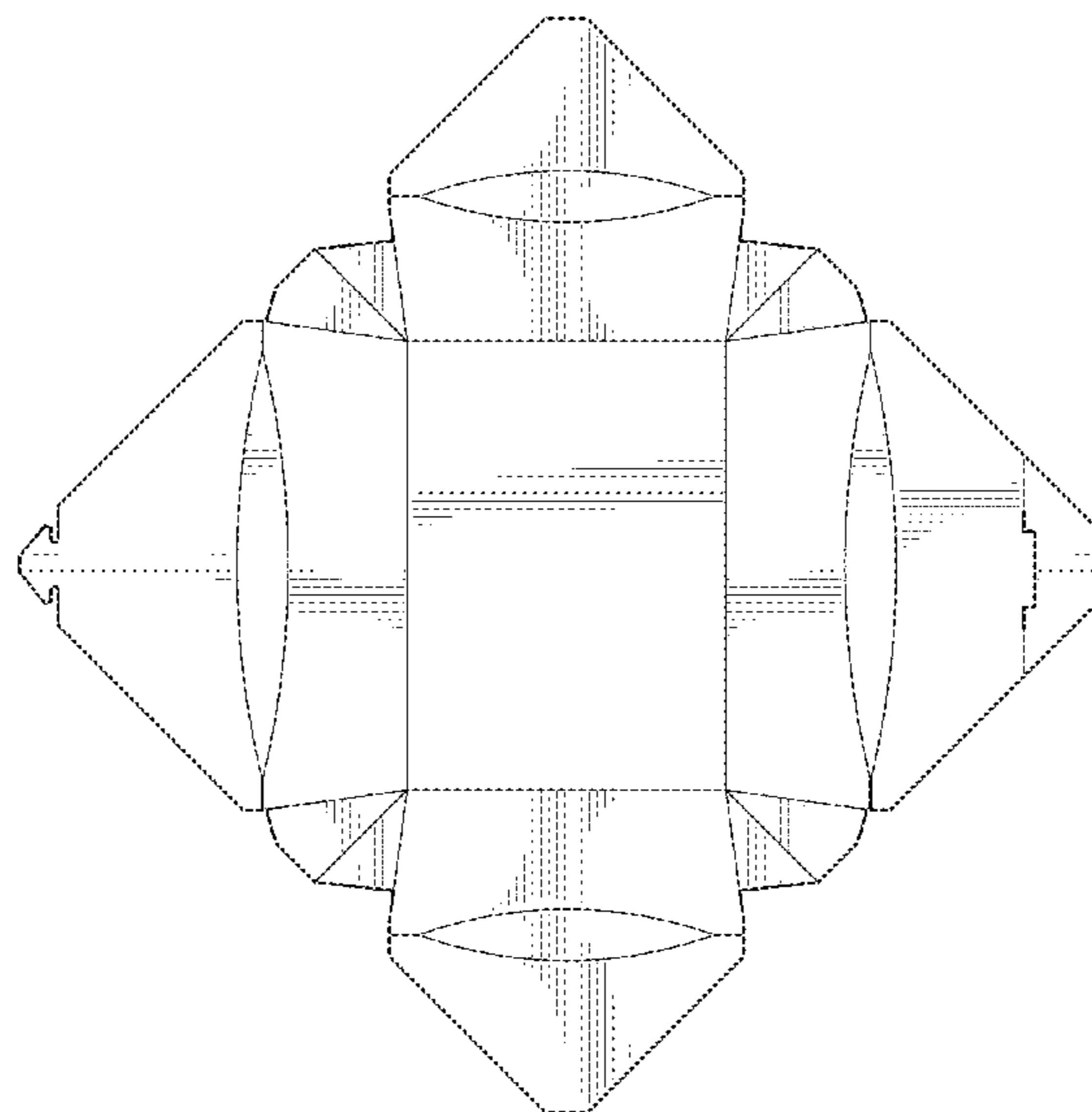
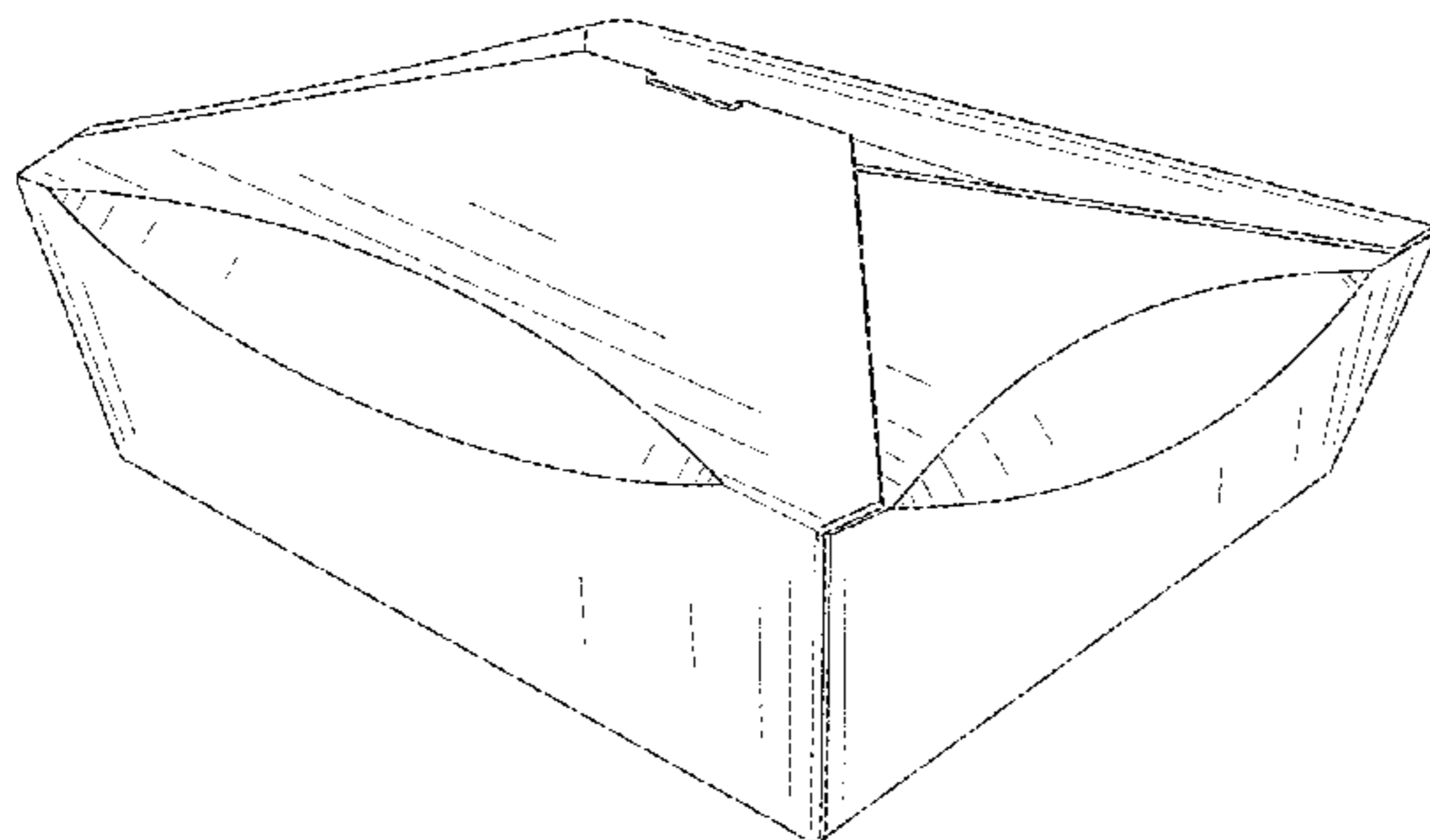
(57) **CLAIM**

The ornamental design for a closeable container, as shown and described.

DESCRIPTION

FIG. 1 is a perspective view of a closeable container showing a new design;
 FIG. 2 is a left side elevation view thereof, the right side being a mirror image;
 FIG. 3 is a front elevation view thereof, the rear view being a mirror image;
 FIG. 4 is a top plan view thereof;
 FIG. 5 is a bottom plan view thereof;
 FIG. 6 is another perspective view thereof, showing the closeable container in an open configuration; and,
 FIG. 7 is another top plan view thereof, showing the closeable container in a blank configuration.

1 Claim, 6 Drawing Sheets



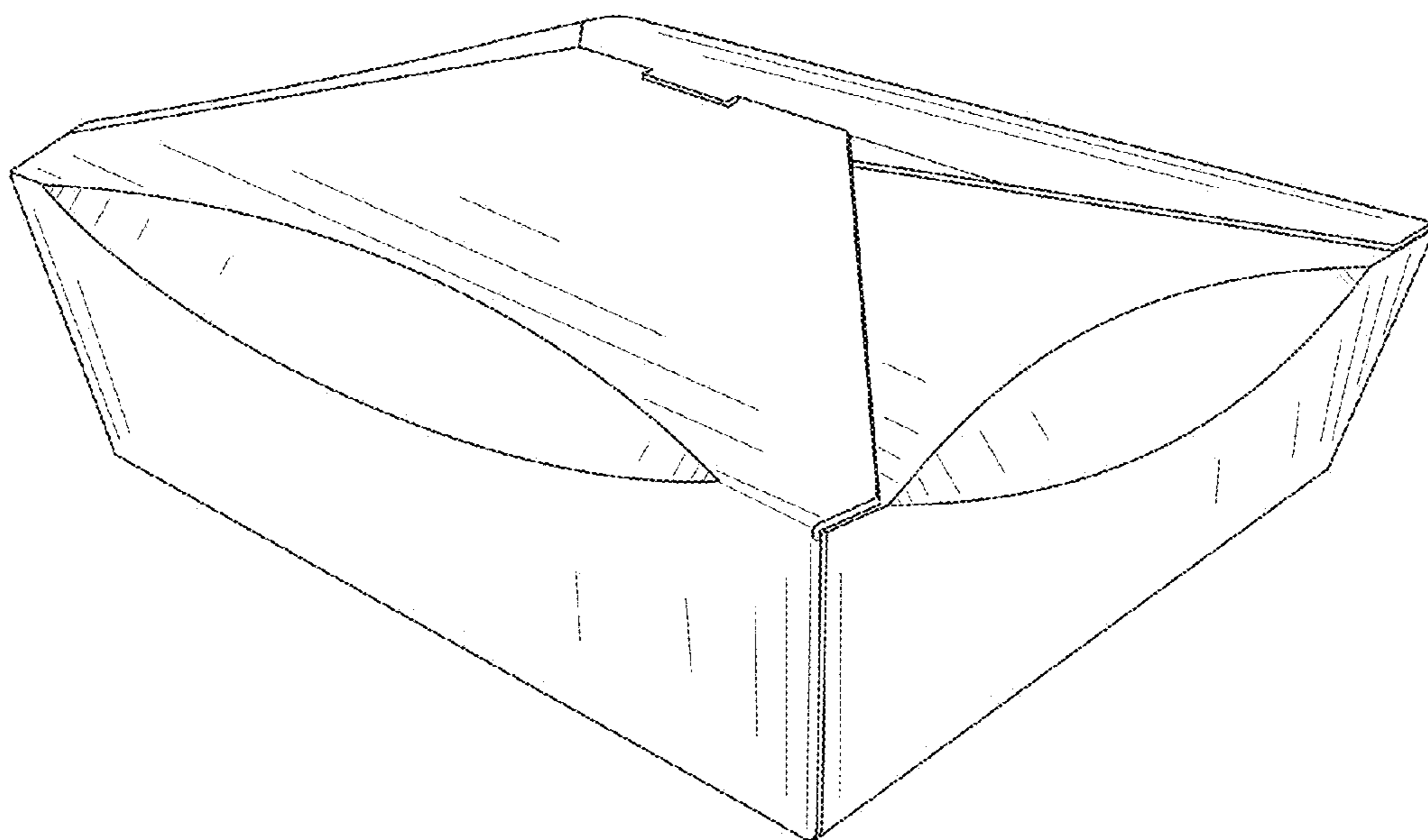


FIG. 1

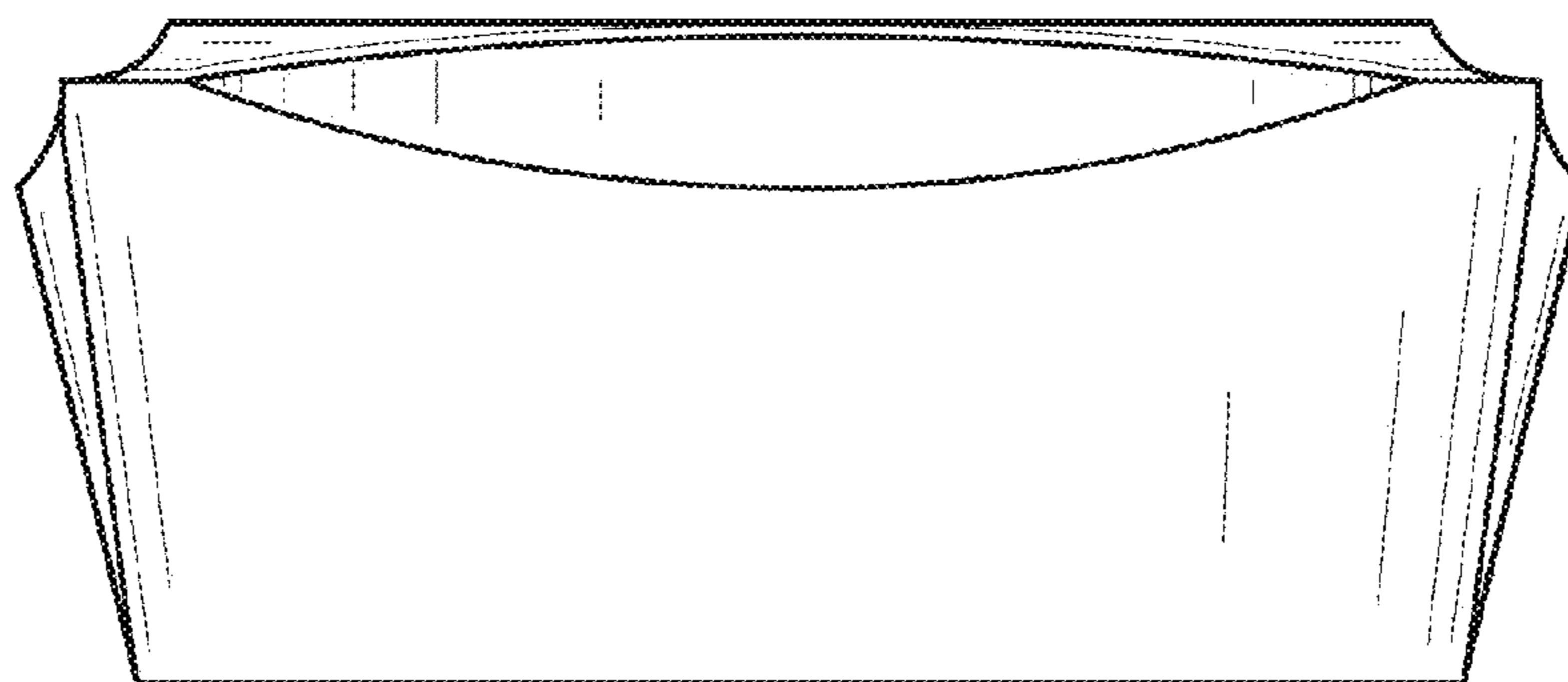


FIG. 2

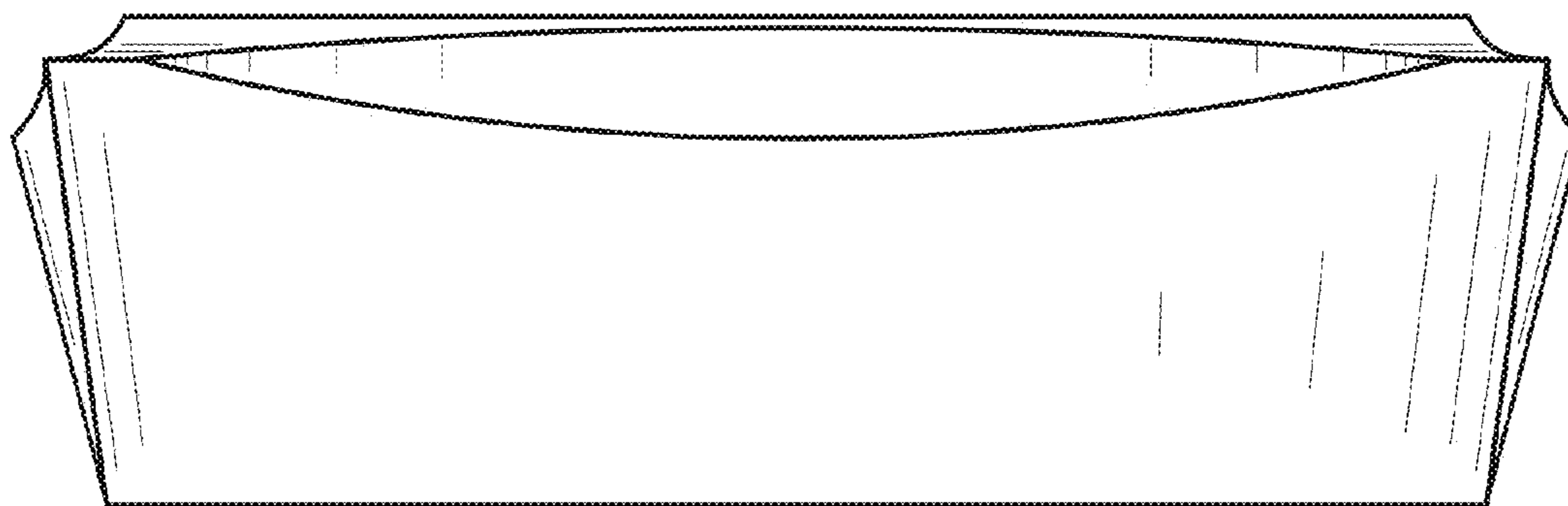


FIG. 3

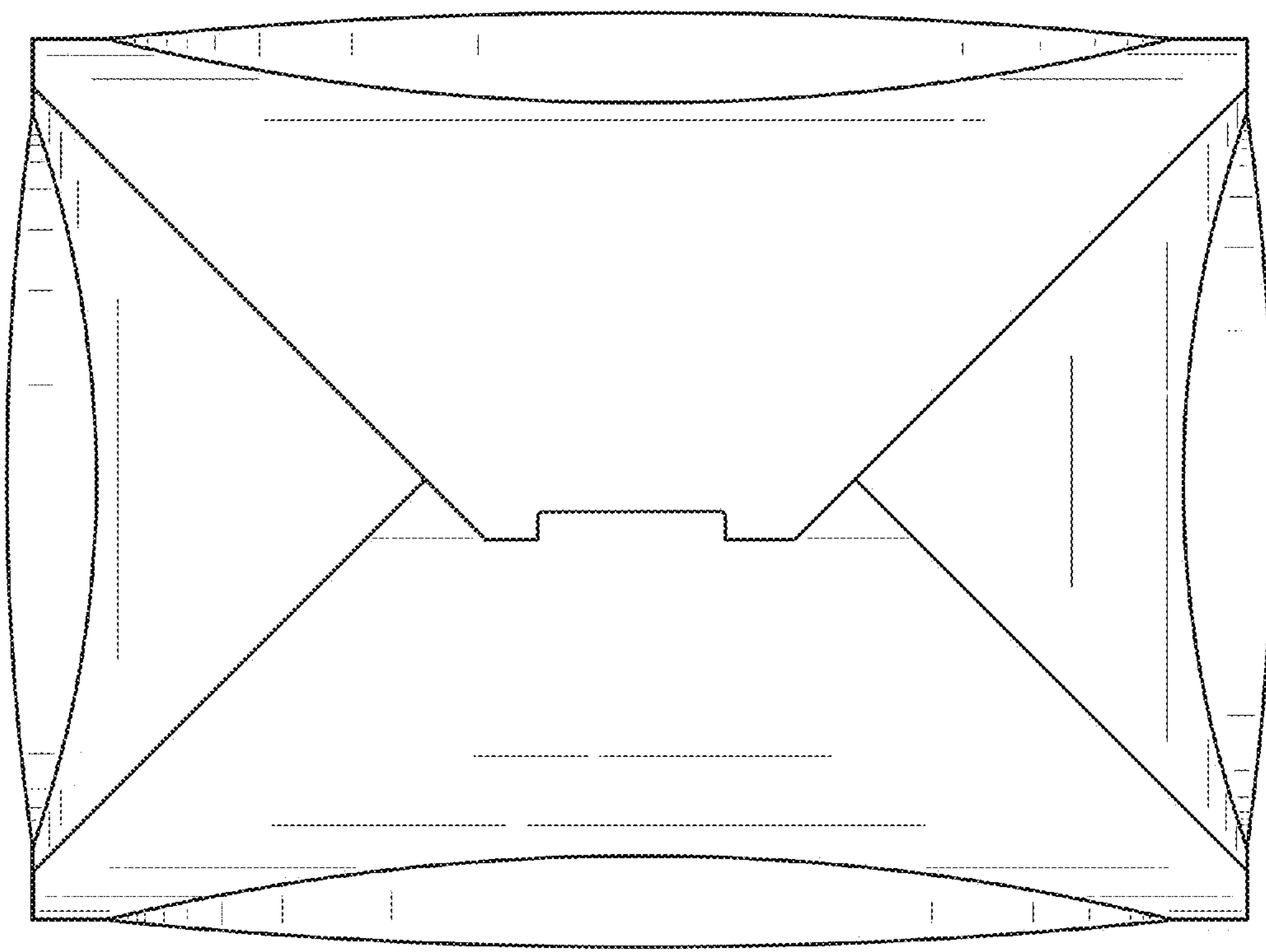


FIG. 4

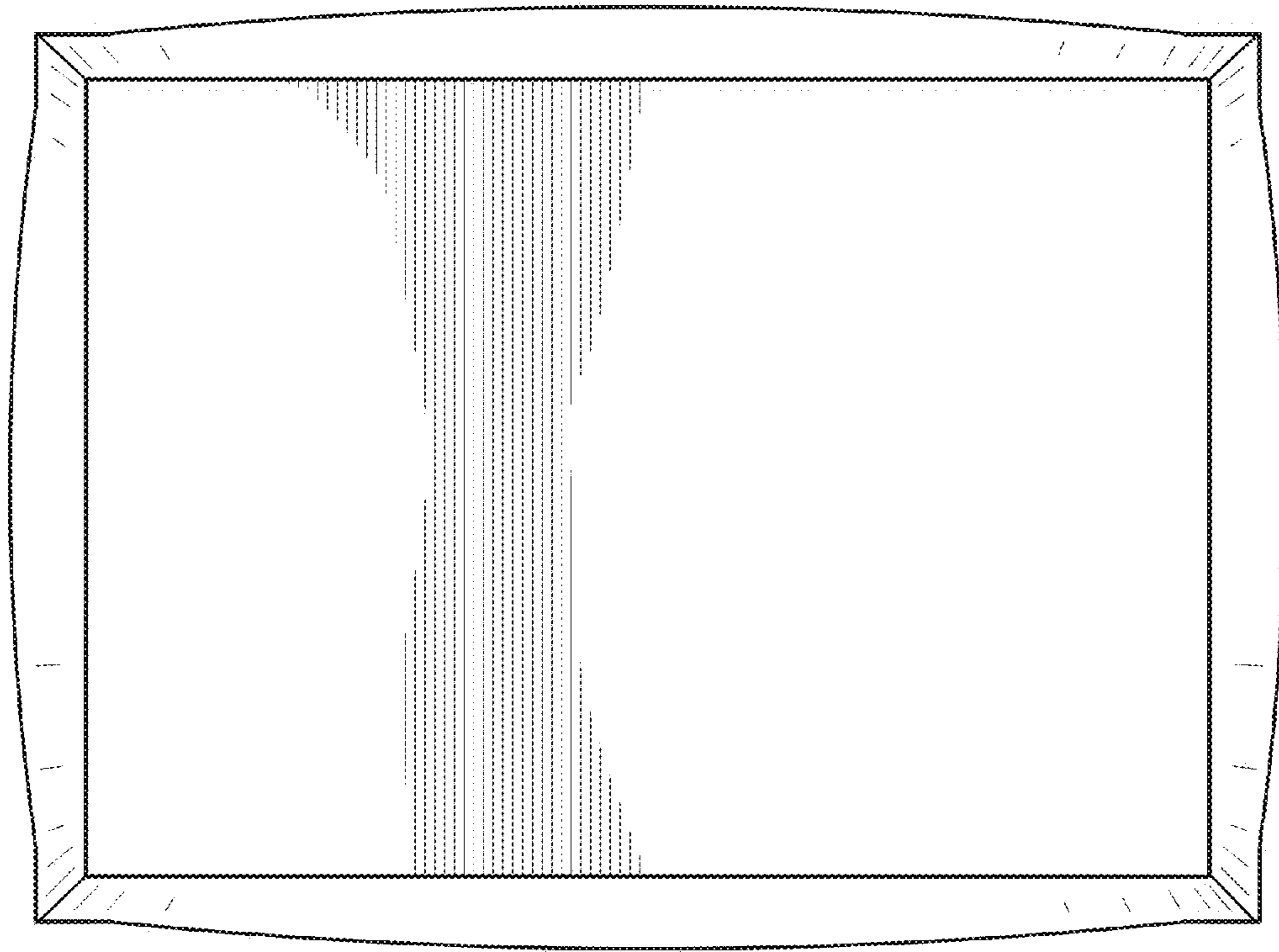


FIG. 5

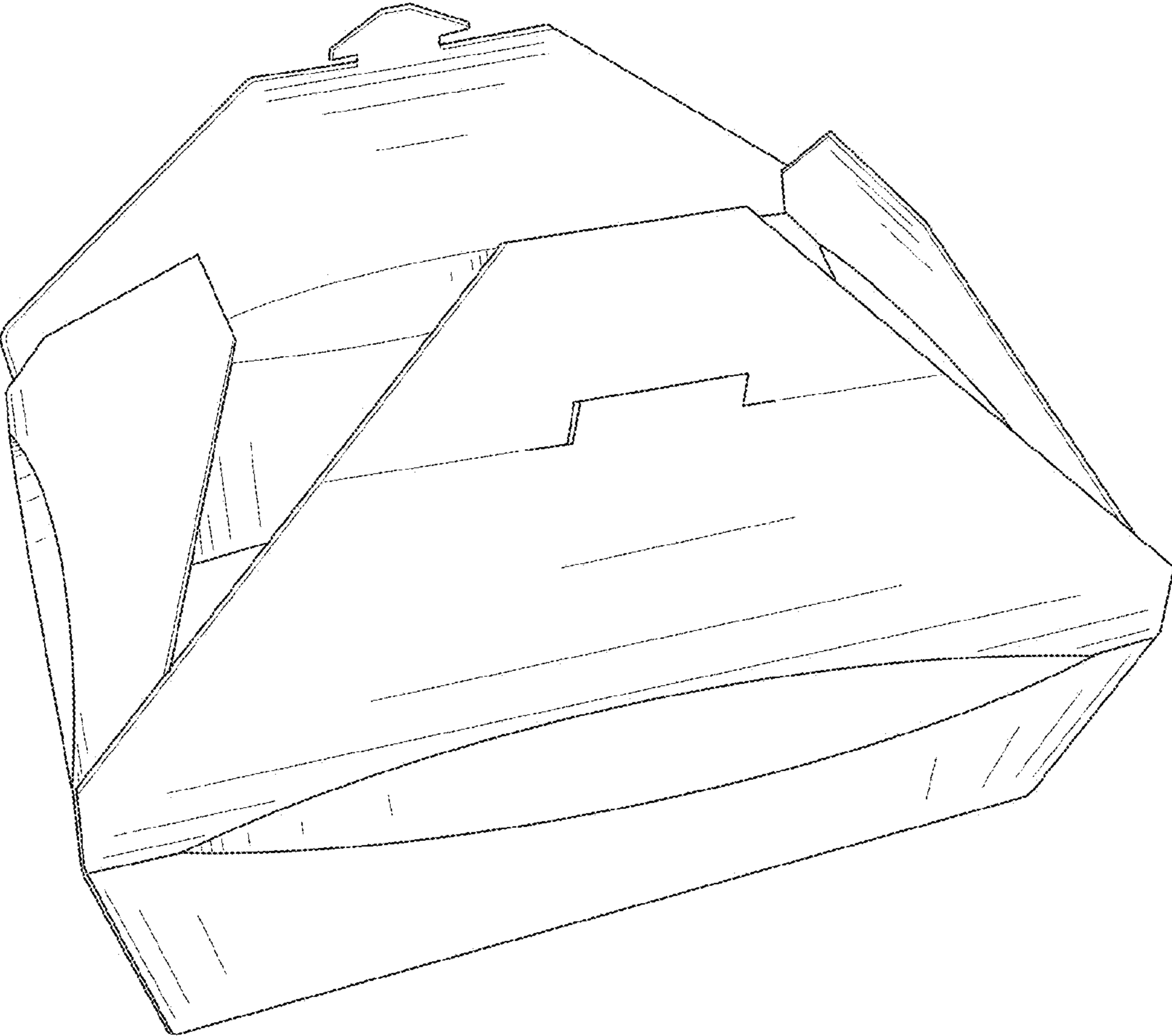


FIG. 6

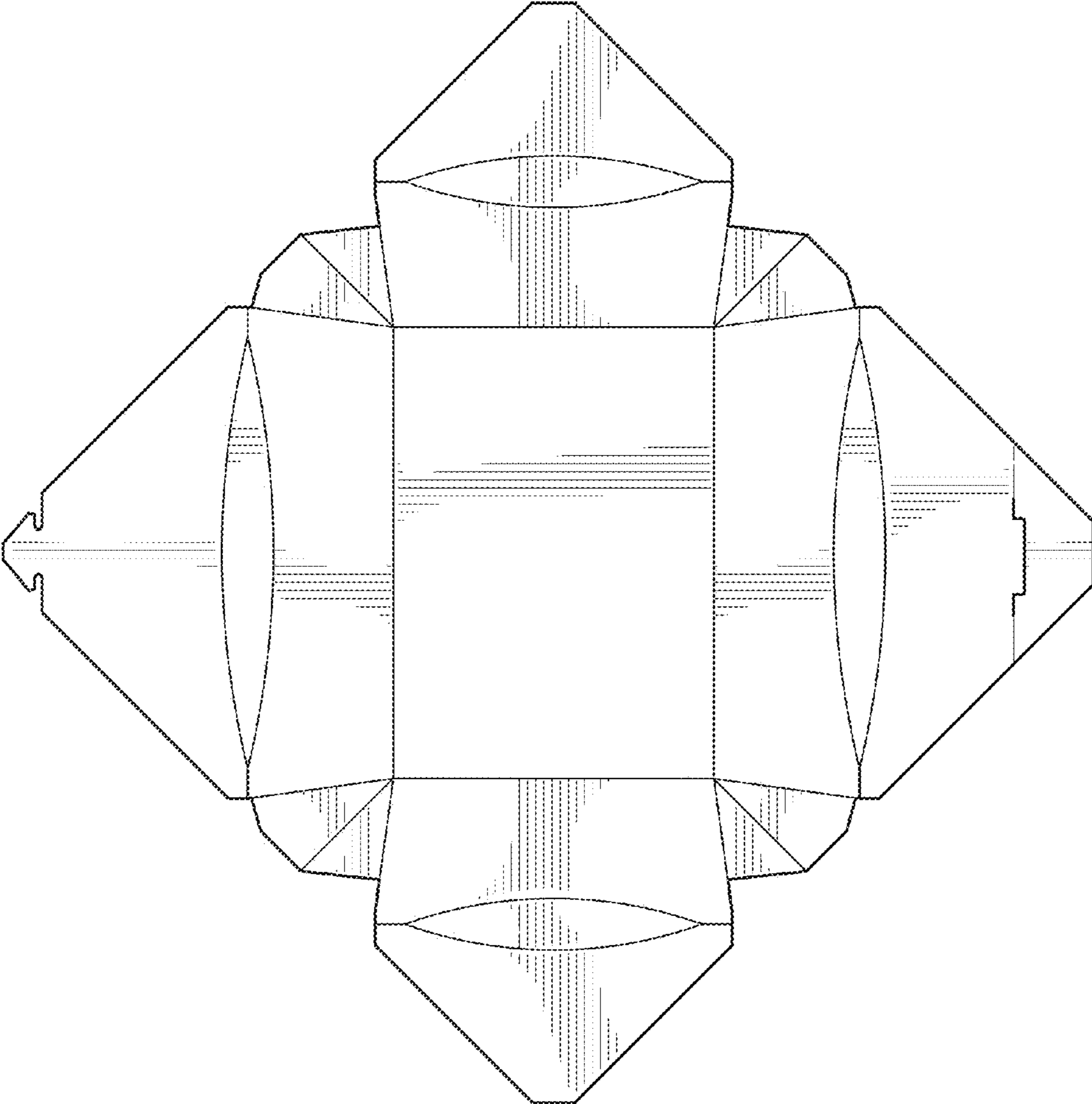


FIG. 7