



US00D764280S

(12) **United States Design Patent**
Carnu

(10) **Patent No.:** **US D764,280 S**

(45) **Date of Patent:** **** Aug. 23, 2016**

(54) **BOX**

(71) Applicant: **Andrei-Marcel Carnu**, Bucharest (RO)

(72) Inventor: **Andrei-Marcel Carnu**, Bucharest (RO)

(**) Term: **14 Years**

(21) Appl. No.: **29/504,602**

(22) Filed: **Oct. 7, 2014**

(30) **Foreign Application Priority Data**

Apr. 7, 2014 (RO) F20140117

(51) **LOC (10) Cl.** **09-03**

(52) **U.S. Cl.**
USPC **D9/431; D9/423**

(58) **Field of Classification Search**

USPC D9/414-419, 420-425, 428, 429-435,
D9/600, 668, 708, 719, 734; D3/203.2,
D3/272, 273, 294, 302-304; D7/538-542,
D7/601, 602, 629; D19/76, 90
CPC B65D 5/02; B65D 5/18; B65D 5/20;
B65D 5/24; B65D 5/28; B65D 5/30; B65D
5/40; B65D 5/42; B65D 5/46; B65D 5/70;
B65D 5/74

See application file for complete search history.

(56) **References Cited**

U.S. PATENT DOCUMENTS

D4,899 S *	5/1871	Payne	D9/431
D258,269 S *	2/1981	Boykin	229/125.01
D519,830 S *	5/2006	Yocum	D9/420
D542,129 S *	5/2007	Moorman	D9/431
D568,732 S *	5/2008	Kovac	D9/418
D608,634 S *	1/2010	Riedi	D9/432
D695,608 S *	12/2013	Pusta	D9/431

* cited by examiner

Primary Examiner — Vy Koenig

(74) *Attorney, Agent, or Firm* — Neifeld IP Law, P.C.

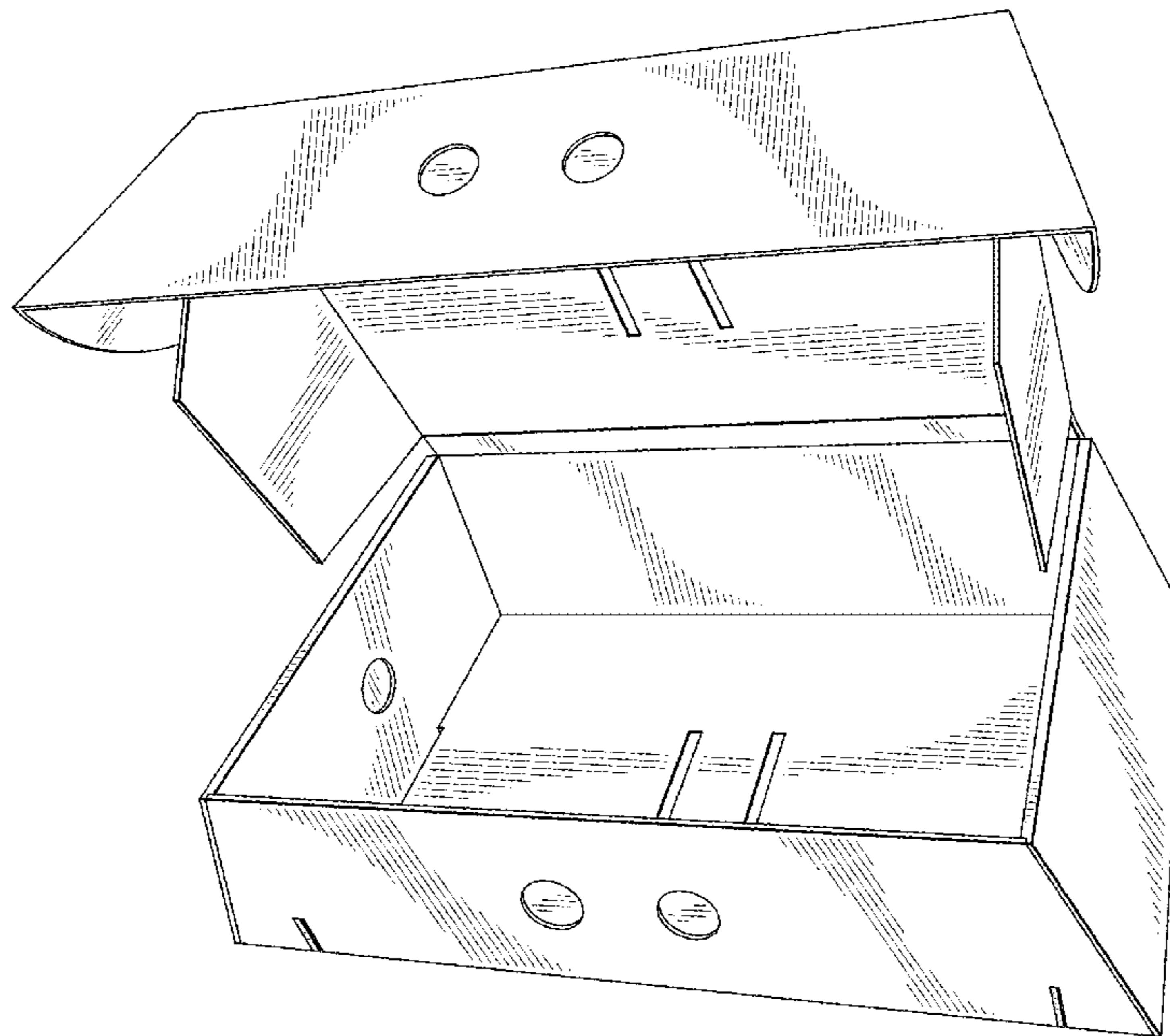
(57) **CLAIM**

I claim the ornamental design for a box, as shown and described.

DESCRIPTION

FIG. 1 is a top front view perspective view of a box, with a lid open, showing our new design;
FIG. 2 is a top front view perspective view of the box of FIG. 1, with the lid of FIG. 1 closed;
FIG. 3 is a front view of the box of FIG. 2;
FIG. 4 is a rear view of the box of FIG. 2;
FIG. 5 is a top view of the box of FIG. 2;
FIG. 6 is a bottom view of the box of FIG. 2;
FIG. 7 is a left side view of the box of FIG. 2; and,
FIG. 8 is a right side view of the box of FIG. 2.

1 Claim, 8 Drawing Sheets



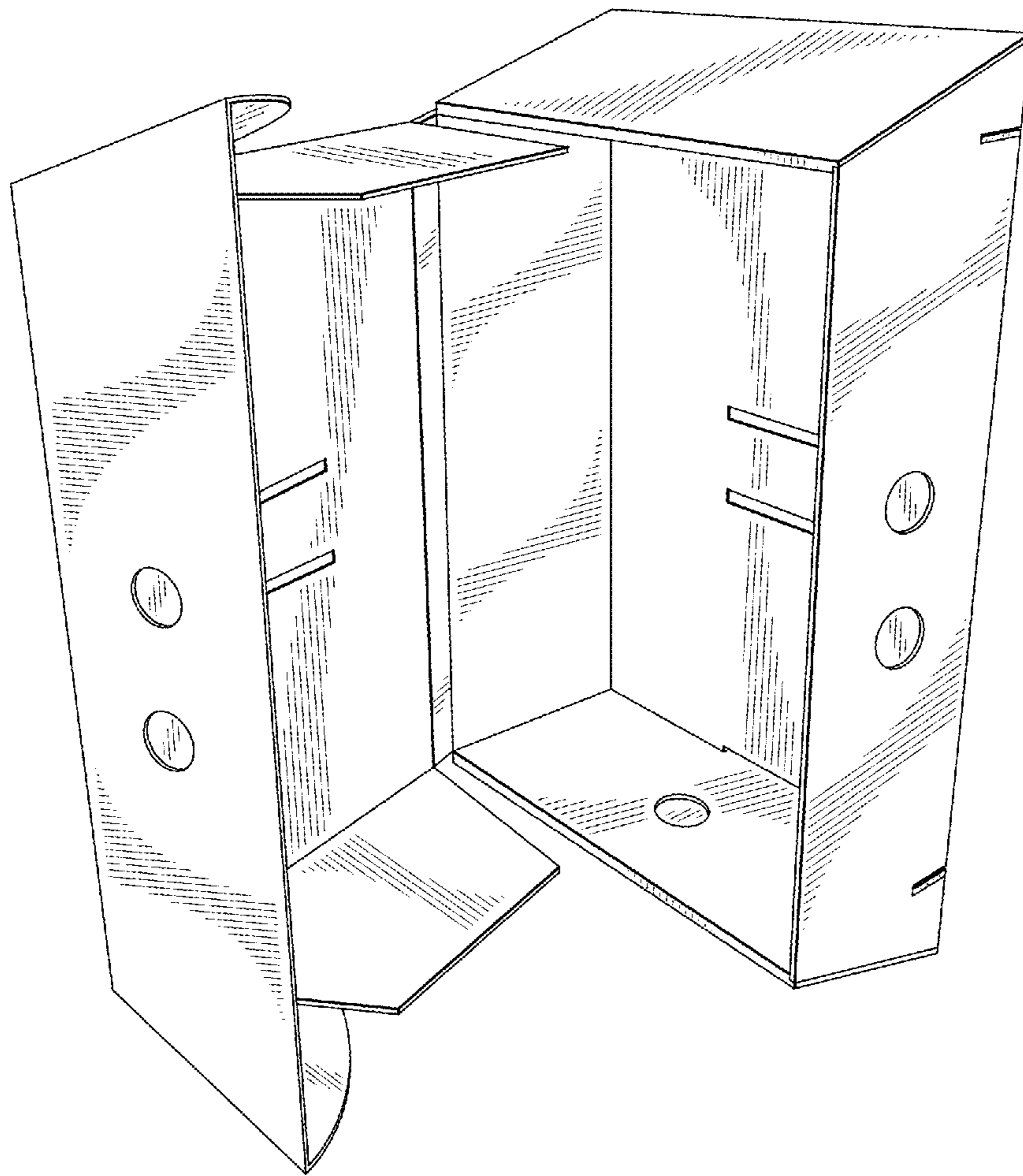


Fig. 1

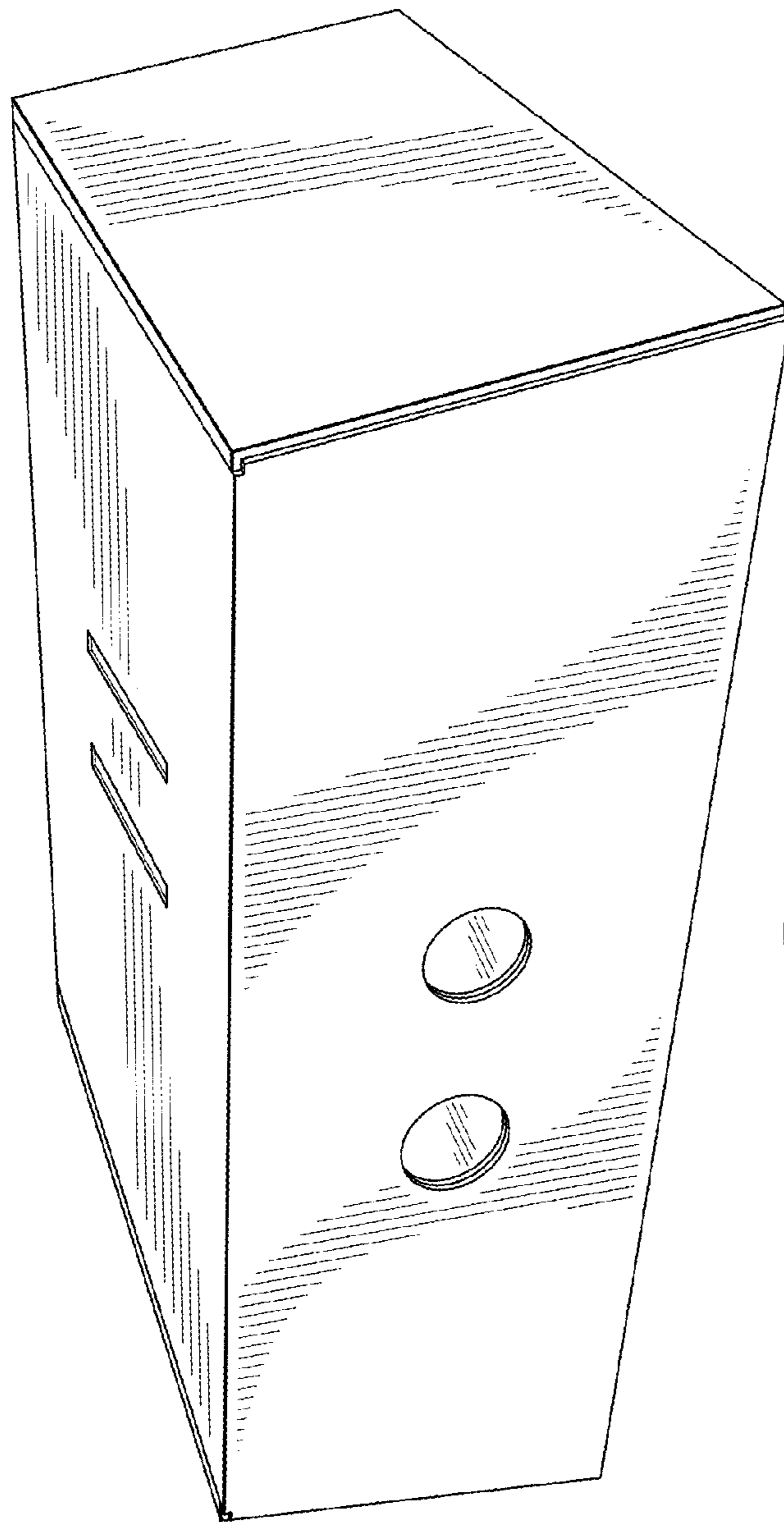


FIG. 2

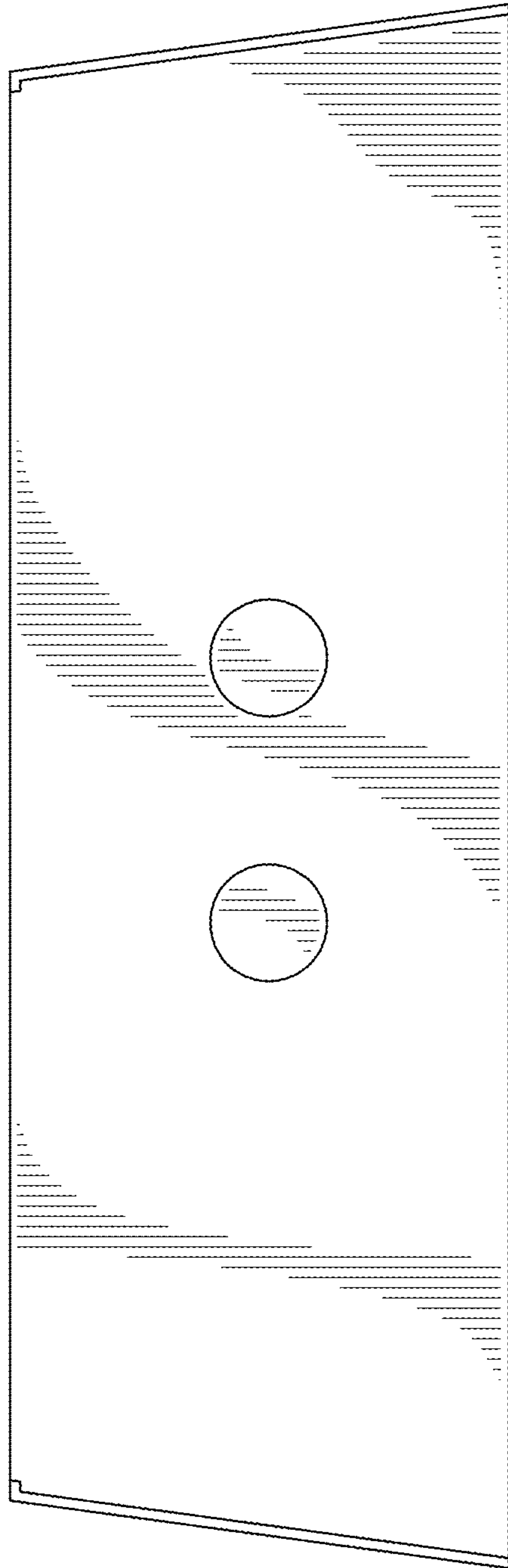


FIG. 3

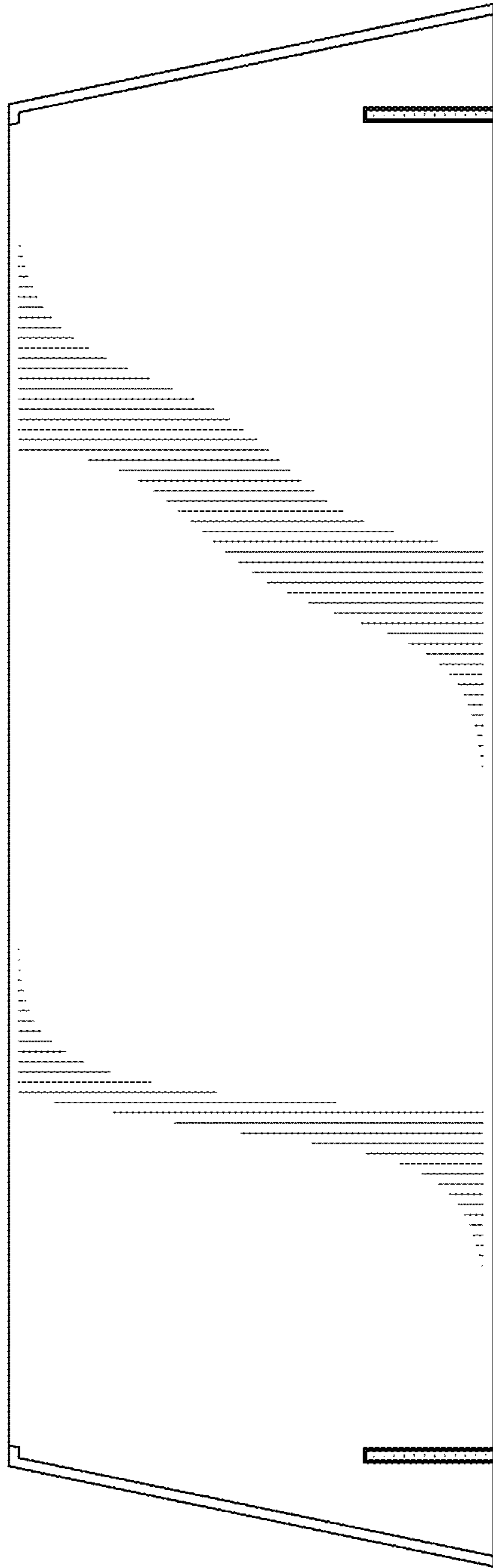


FIG. 4

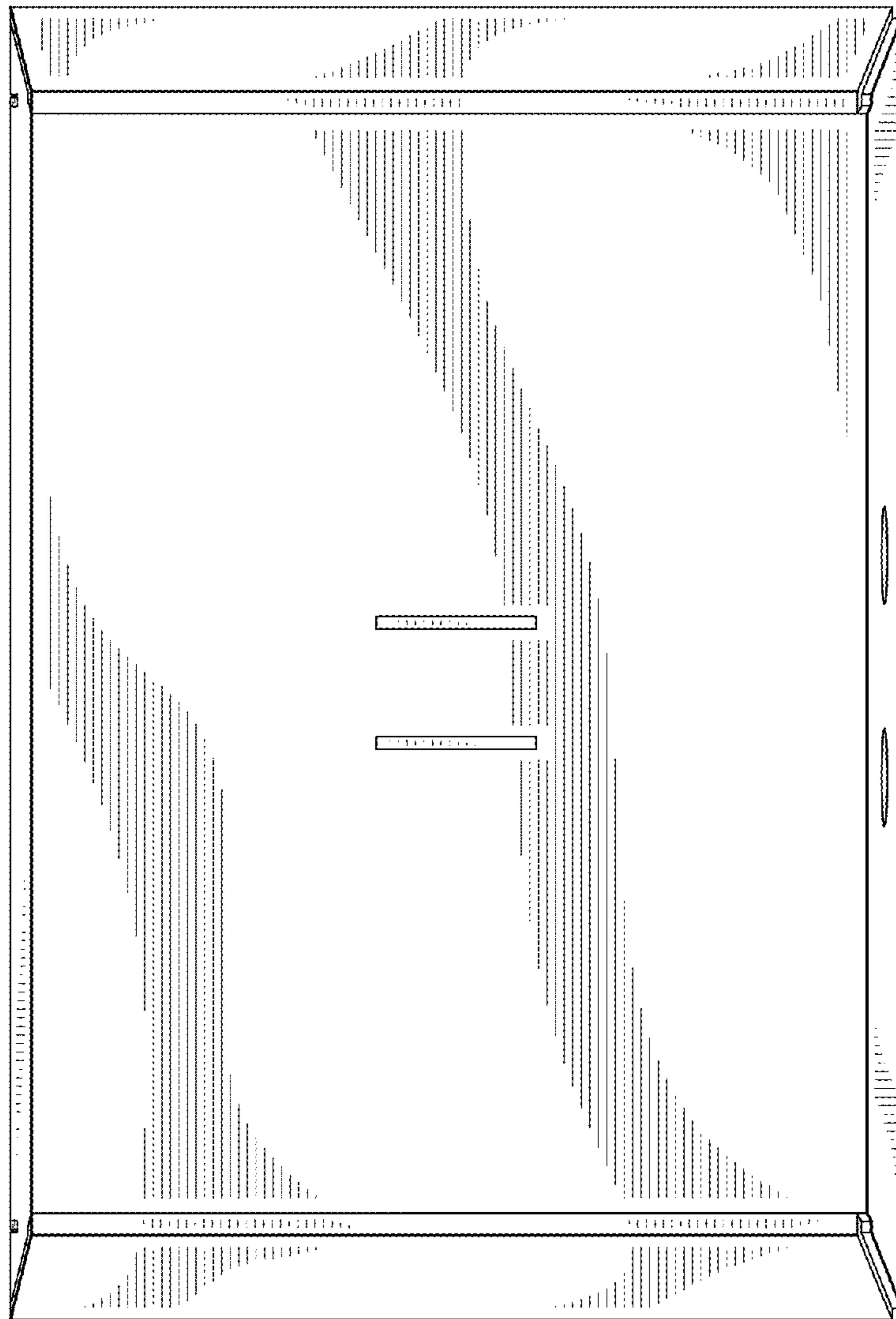


Fig. 5

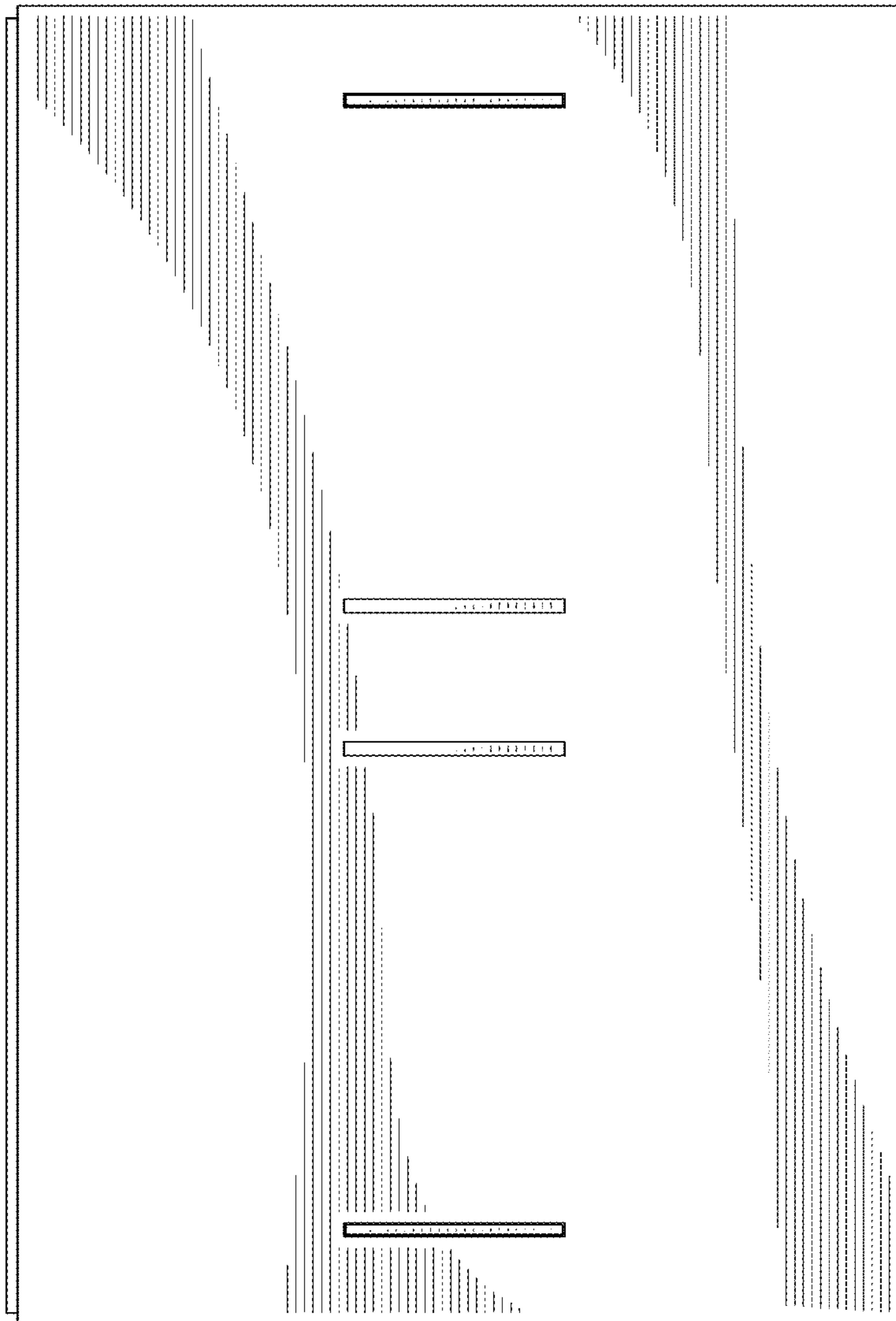


FIG. 6

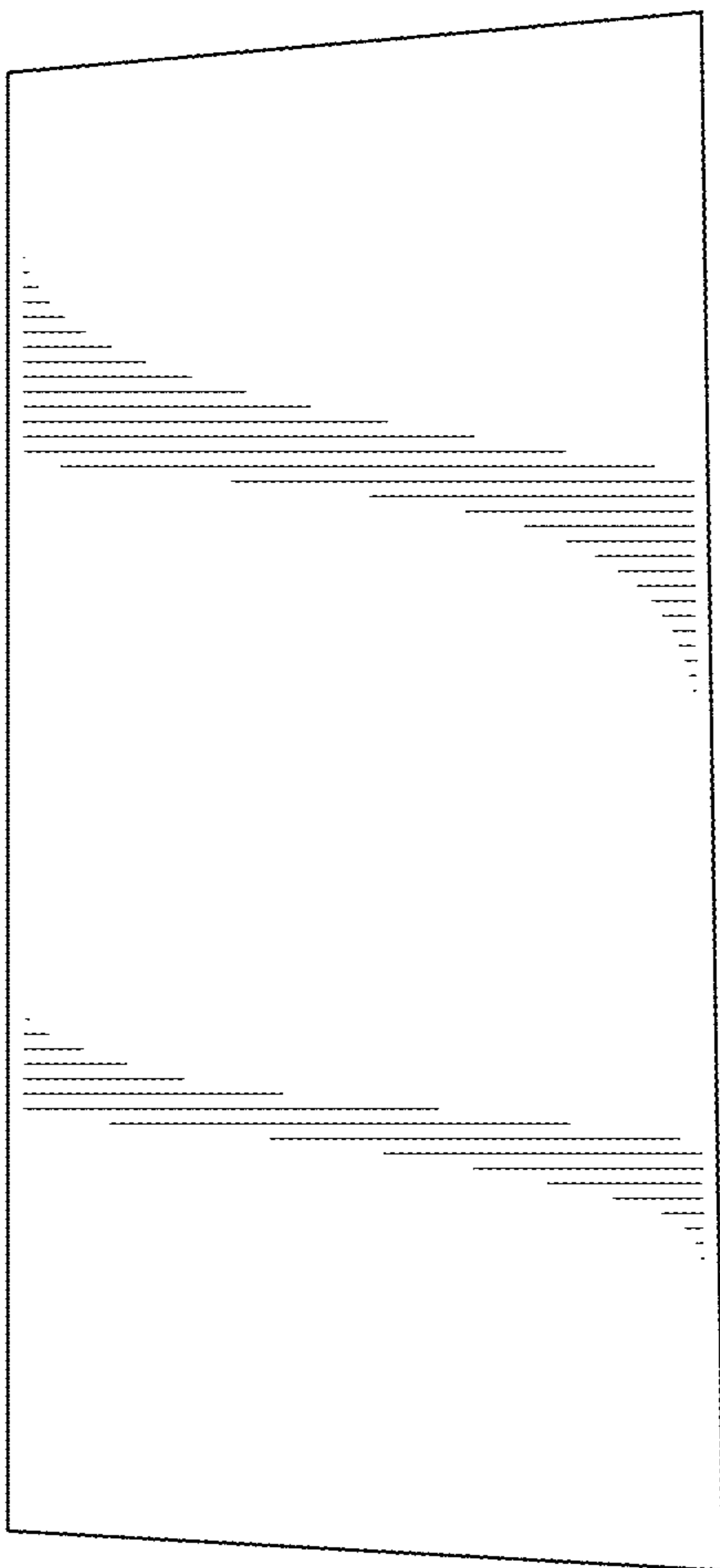
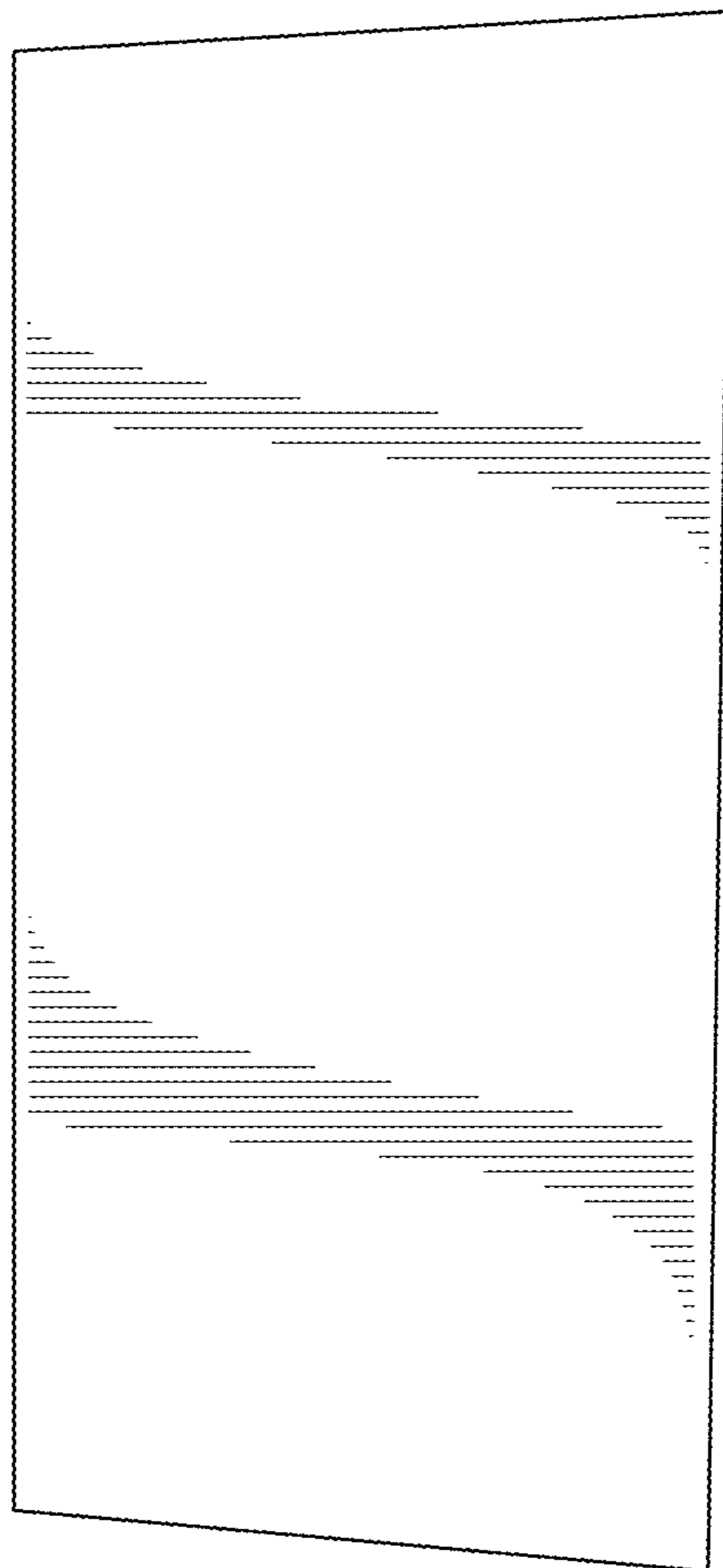


Fig. 7



B. 16. B