

US00D764279S

(12) **United States Design Patent**
Sevšek

(10) **Patent No.:** **US D764,279 S**
(45) **Date of Patent:** **** Aug. 23, 2016**

(54) **COLLAPSIBLE BOX**

(71) Applicant: **Sašo Sevšek**, Borovnica (SI)

(72) Inventor: **Sašo Sevšek**, Borovnica (SI)

(**) Term: **14 Years**

(21) Appl. No.: **29/491,754**

(22) Filed: **May 23, 2014**

(30) **Foreign Application Priority Data**

Nov. 28, 2013 (EM) 002353623

(51) **LOC (10) Cl.** **09-03**

(52) **U.S. Cl.**

USPC **D9/431; D9/433**

(58) **Field of Classification Search**

USPC D9/414-419, 420-425, 428, 429-435,
D9/600, 652, 667-679, 708, 719, 734;
D3/203.2, 272, 273, 294, 302-304;
D7/538-542, 601, 602, 629; D19/86,
D19/90

CPC B65D 5/02; B65D 5/18; B65D 5/20;
B65D 5/24; B65D 5/28; B65D 5/30; B65D
5/40; B65D 5/42; B65D 5/46; B65D 5/70;
B65D 5/74

See application file for complete search history.

(56) **References Cited**

U.S. PATENT DOCUMENTS

D223,732 S * 5/1972 Misenko D19/76
D307,109 S * 4/1990 Dasher D3/307

D326,341 S * 5/1992 Frauhiger D3/313
D329,199 S * 9/1992 Corso D9/418
D425,562 S * 5/2000 Conley D19/75
D437,222 S * 2/2001 Goldberg D9/432
D477,217 S * 7/2003 Riedi D9/418
D518,526 S * 4/2006 Benn D19/90
D675,088 S * 1/2013 West D9/418
D727,142 S * 4/2015 Bankowski D9/418
D744,332 S * 12/2015 D'Anglade D9/418

* cited by examiner

Primary Examiner — Vy Koenig

(74) *Attorney, Agent, or Firm* — Studebaker & Brackett PC

(57) **CLAIM**

The ornamental design for a collapsible box, as shown and described.

DESCRIPTION

FIG. 1 is a top plan view showing my new design for a collapsible box in an unfolded, flat state, and the lines shown in dashed lines are fold lines,

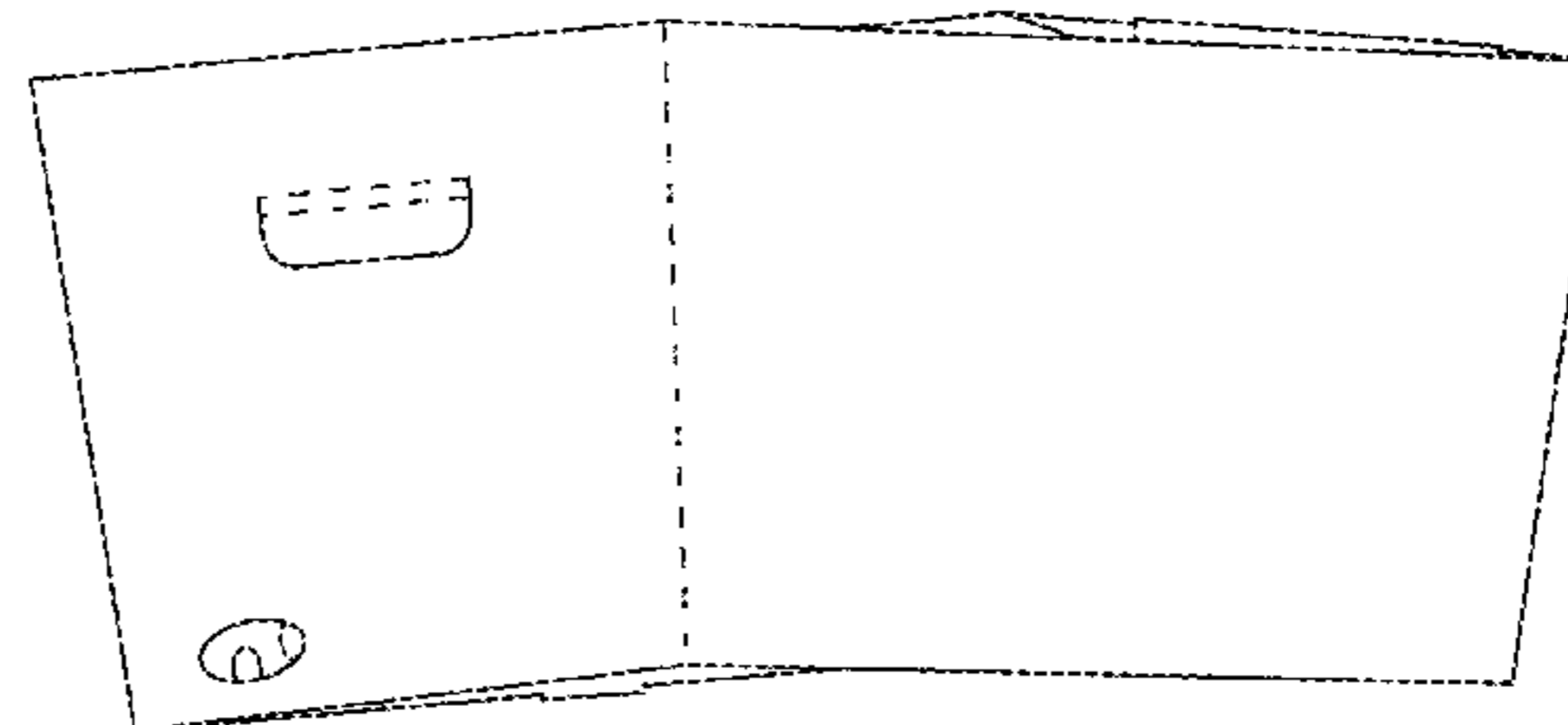
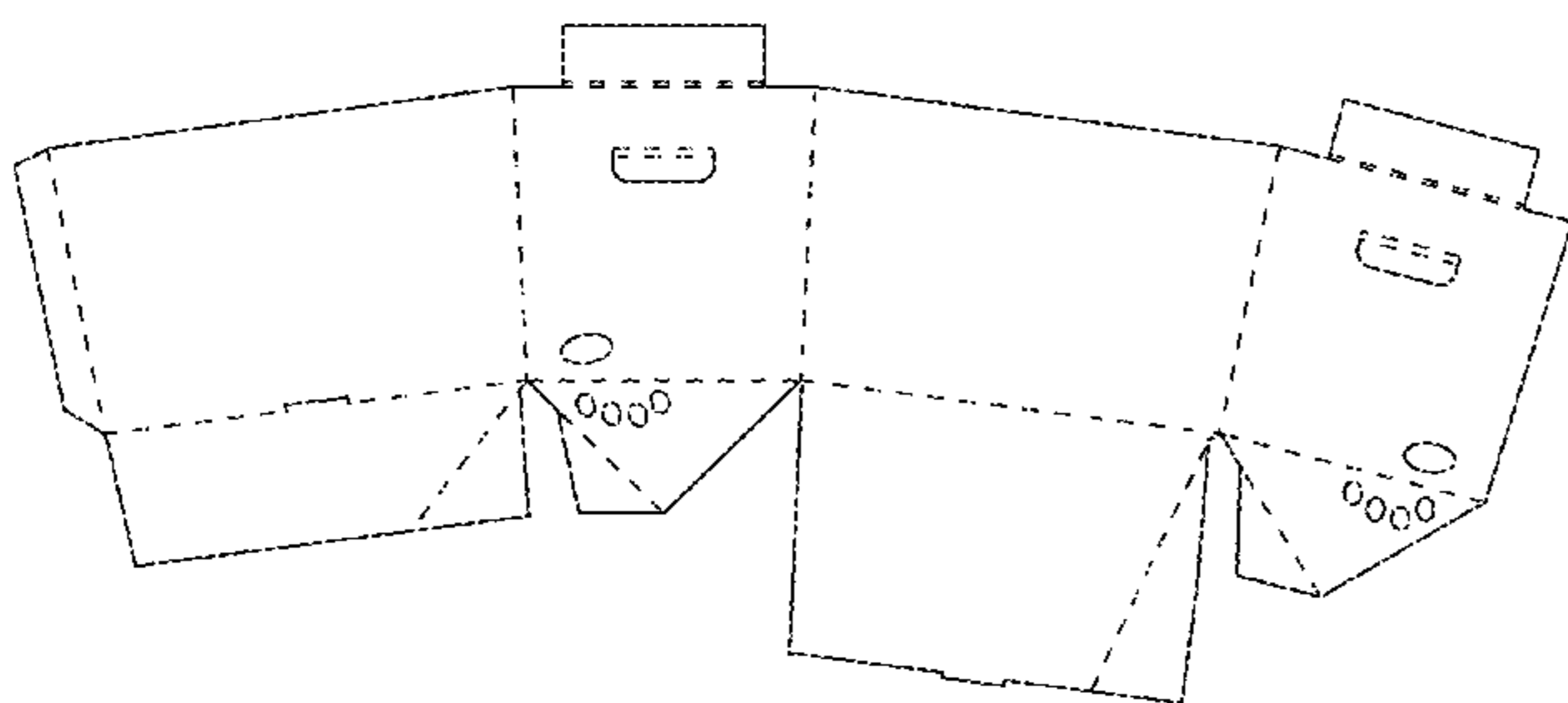
FIG. 2 is a front and left side perspective view thereof, in a partially folded position and the lines shown in dashed lines are fold lines,

FIG. 3 is a top, sides and rear perspective view thereof, the lines shown in dashed lines are fold lines,

FIG. 4 is a right side and rear perspective view thereof; and, FIG. 5 is a bottom view thereof, the lines shown in dashed lines are fold lines.

The dashed lines in the drawings depict fold lines and form part of the claimed design.

1 Claim, 5 Drawing Sheets



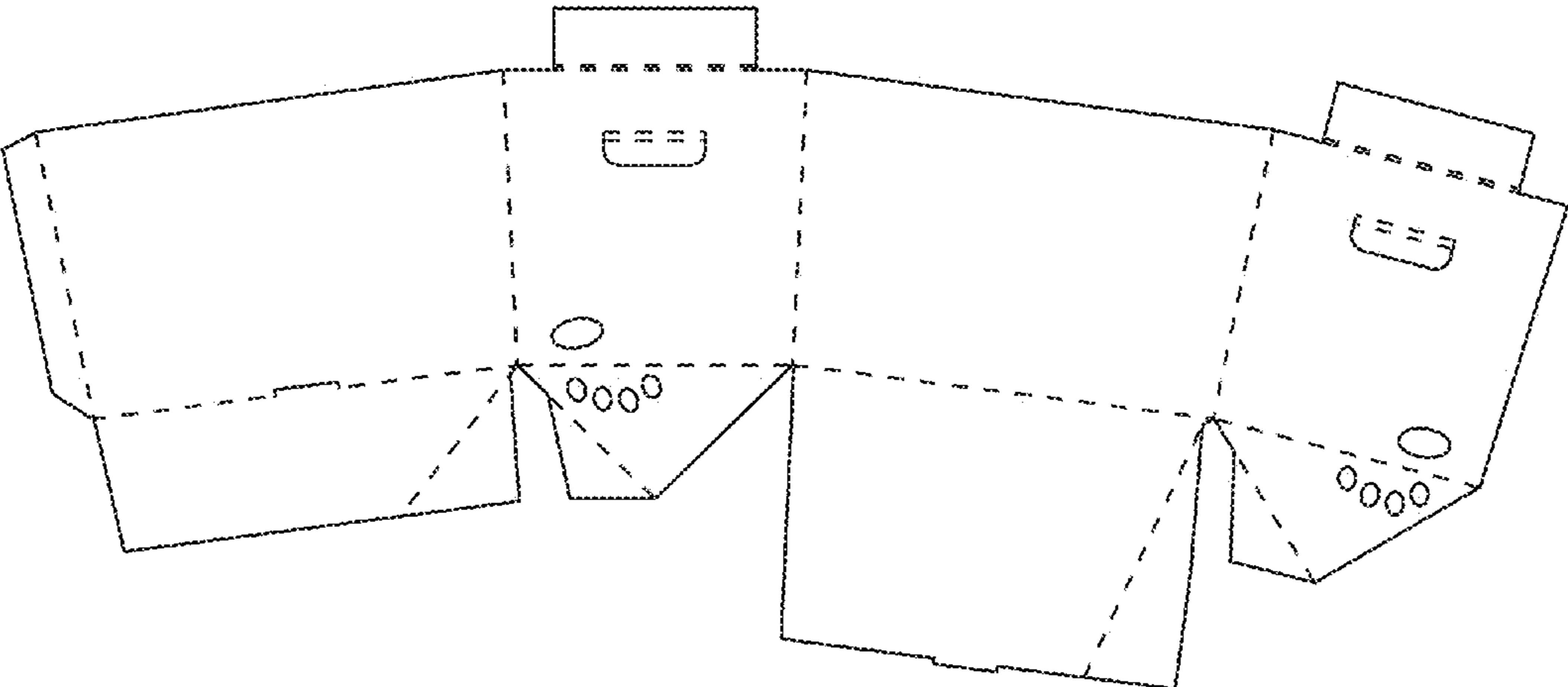


FIG. 1

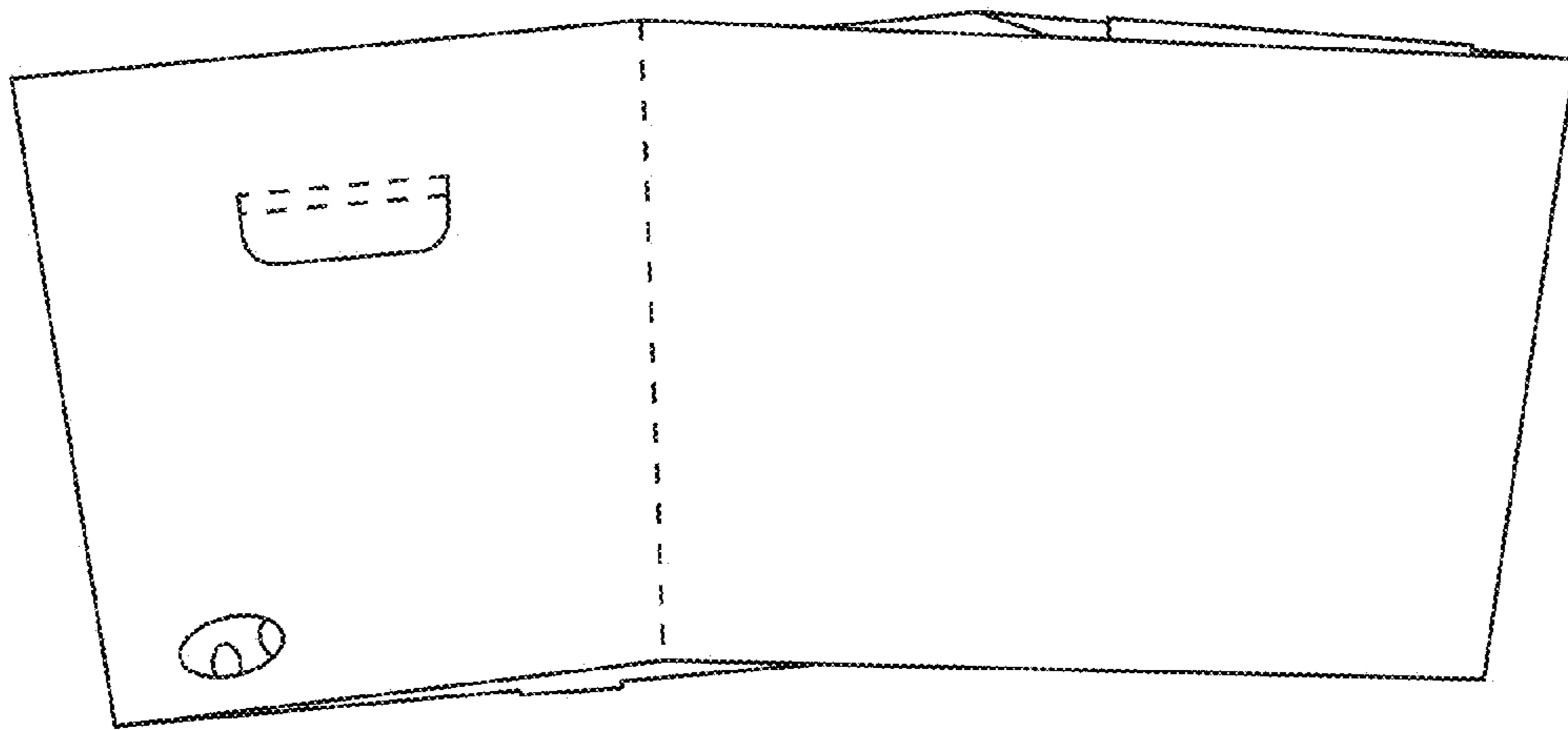


FIG. 2

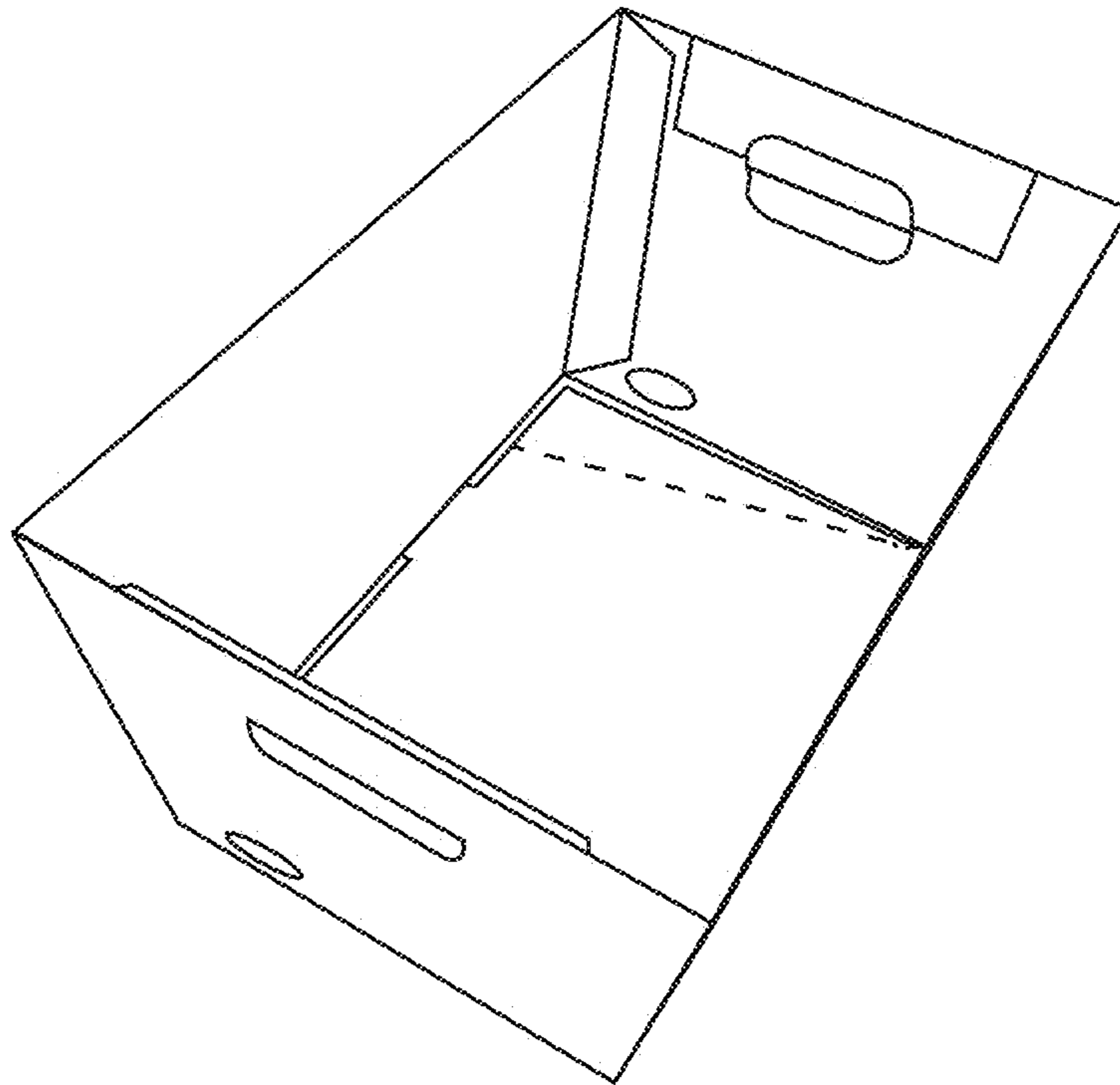


FIG. 3

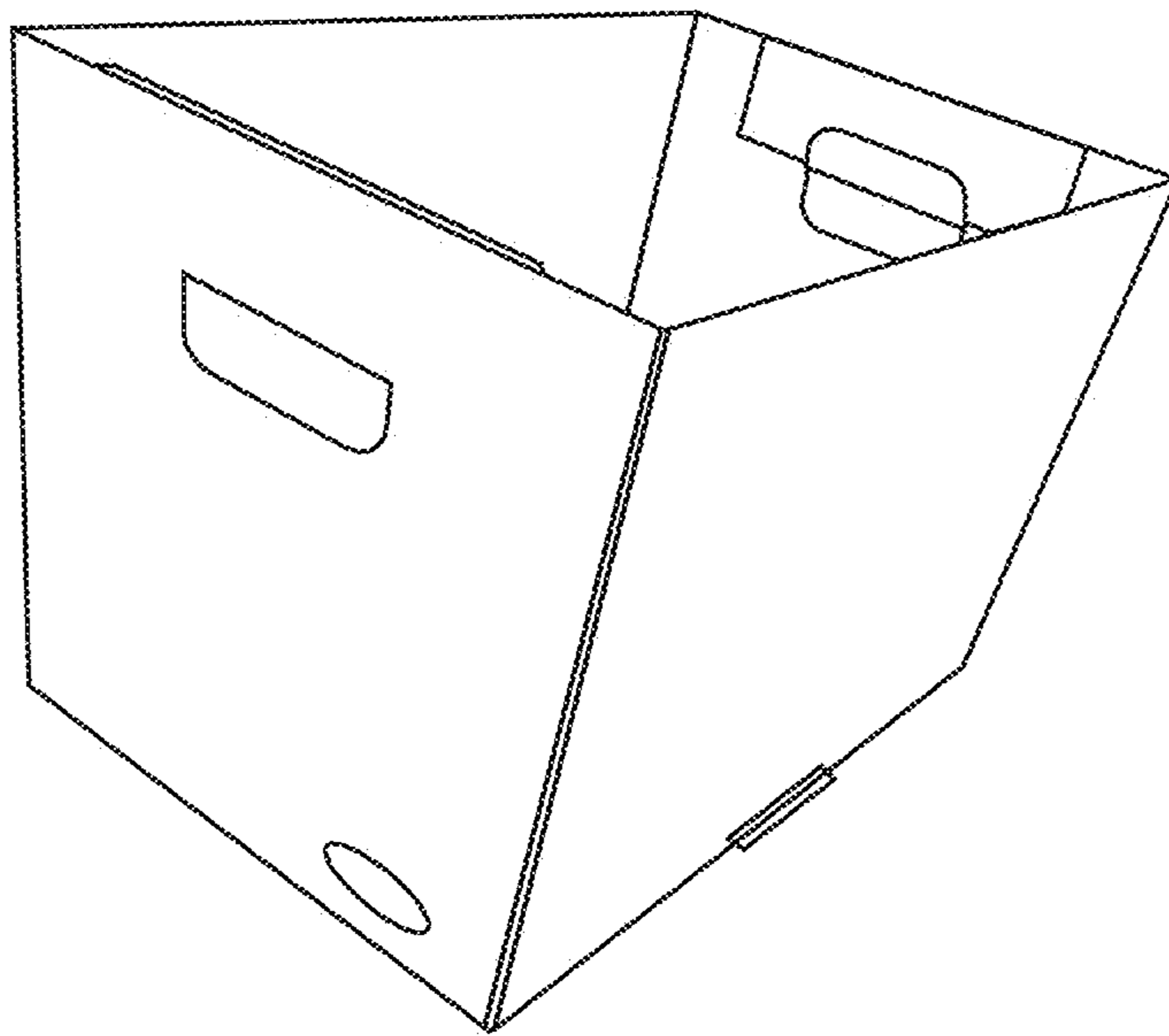


FIG. 4

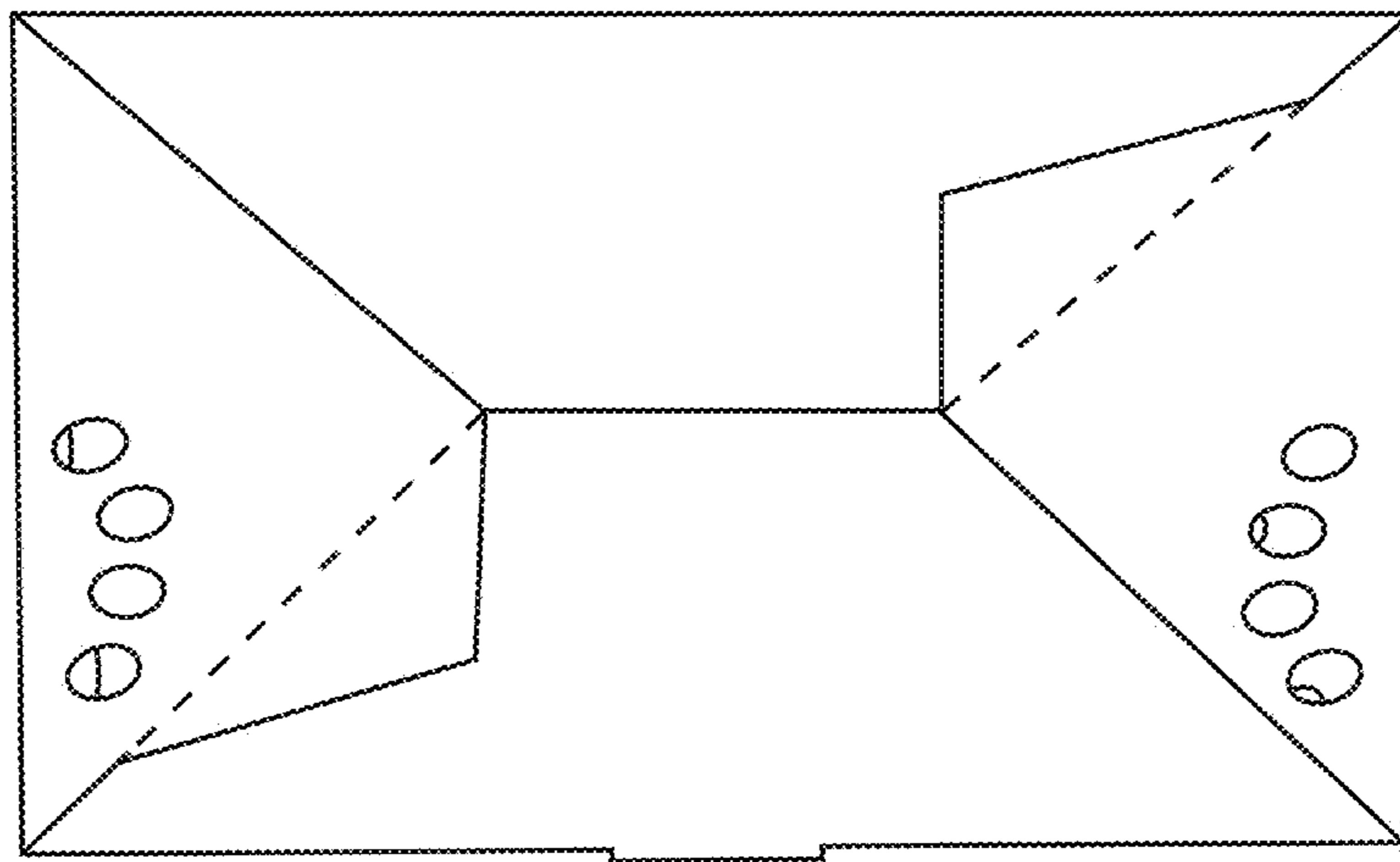


FIG. 5