



US00D764277S

(12) **United States Design Patent**
Irimia et al.

(10) **Patent No.:** **US D764,277 S**

(45) **Date of Patent:** **** Aug. 23, 2016**

(54) **CONTAINER**

(71) Applicant: **Polytainers Inc.**, Toronto (CA)

(72) Inventors: **Ileana Irimia**, Mississauga (CA);
Gabriel Fekete, Mississauga (CA);
Robert Barrett, Toronto (CA)

(73) Assignee: **Polytainers Inc.**, Toronto (CA)

(**) Term: **14 Years**

(21) Appl. No.: **29/493,792**

(22) Filed: **Jun. 13, 2014**

(51) **LOC (10) Cl.** **09-03**

(52) **U.S. Cl.**
USPC **D9/428**

(58) **Field of Classification Search**
USPC D9/425, 426, 428, 431, 436, 449, 456,
D9/657, 712, 715, 716, 745, 752, 761, 503,
D9/504, 454, 45, 54; D7/505; 220/4.21,
220/757

CPC B65D 1/265; B65D 3/12; B65D
2543/00092; B65D 25/2814; B65D
2543/00351; B65D 85/78; A47G 19/23;
B29L 2031/7132; B29L 2031/712

See application file for complete search history.

(56) **References Cited**

U.S. PATENT DOCUMENTS

3,424,342	A *	1/1969	Scopp et al.	220/793
D276,402	S *	11/1984	Daenen et al.	D7/602
D333,196	S *	2/1993	Dziersk et al.	D34/1
D346,308	S *	4/1994	Cautereels et al.	D7/509
D358,531	S *	5/1995	Cousins et al.	D7/612
D371,053	S *	6/1996	Lillelund et al.	D7/612
5,628,453	A *	5/1997	MacLaughlin	229/403
D418,720	S *	1/2000	Lillelund et al.	D7/602
6,010,062	A *	1/2000	Shimono	229/400

D439,839	S *	4/2001	Wolf et al.	D9/431
D459,225	S *	6/2002	Baxter et al.	D9/428
D467,800	S *	12/2002	Chen et al.	D9/429
D473,463	S *	4/2003	Armstrong et al.	D9/432
D501,636	S *	2/2005	Melhede	D9/428
D514,884	S *	2/2006	Smith et al.	D7/509
D613,554	S *	4/2010	Koennecke	D7/509
D630,898	S *	1/2011	de Groote	D7/602
D635,848	S *	4/2011	Lawrence et al.	D9/425
D638,701	S *	5/2011	Shapiro et al.	D9/428
D650,663	S *	12/2011	Shiffer et al.	D9/428
D669,778	S *	10/2012	Houlton et al.	D9/425
D674,275	S *	1/2013	Bouveret	D9/428
D688,124	S *	8/2013	Crosby	D9/428
D700,483	S *	3/2014	Yessin et al.	D7/629
D706,131	S *	6/2014	Brooks et al.	D9/428
D718,983	S *	12/2014	Yessin et al.	D7/629

* cited by examiner

Primary Examiner — Ian Simmons

Assistant Examiner — Keith Frank

(74) *Attorney, Agent, or Firm* — McMillan LLP

(57) **CLAIM**

The ornamental design for a container, as shown and described.

DESCRIPTION

FIG. 1 is a perspective view taken from the top of a container of the design;

FIG. 2 is a front elevational view of the design of FIG. 1;

FIG. 3 is a back elevational view of the design of FIG. 1;

FIG. 4 is a right elevational view of the design of FIG. 1;

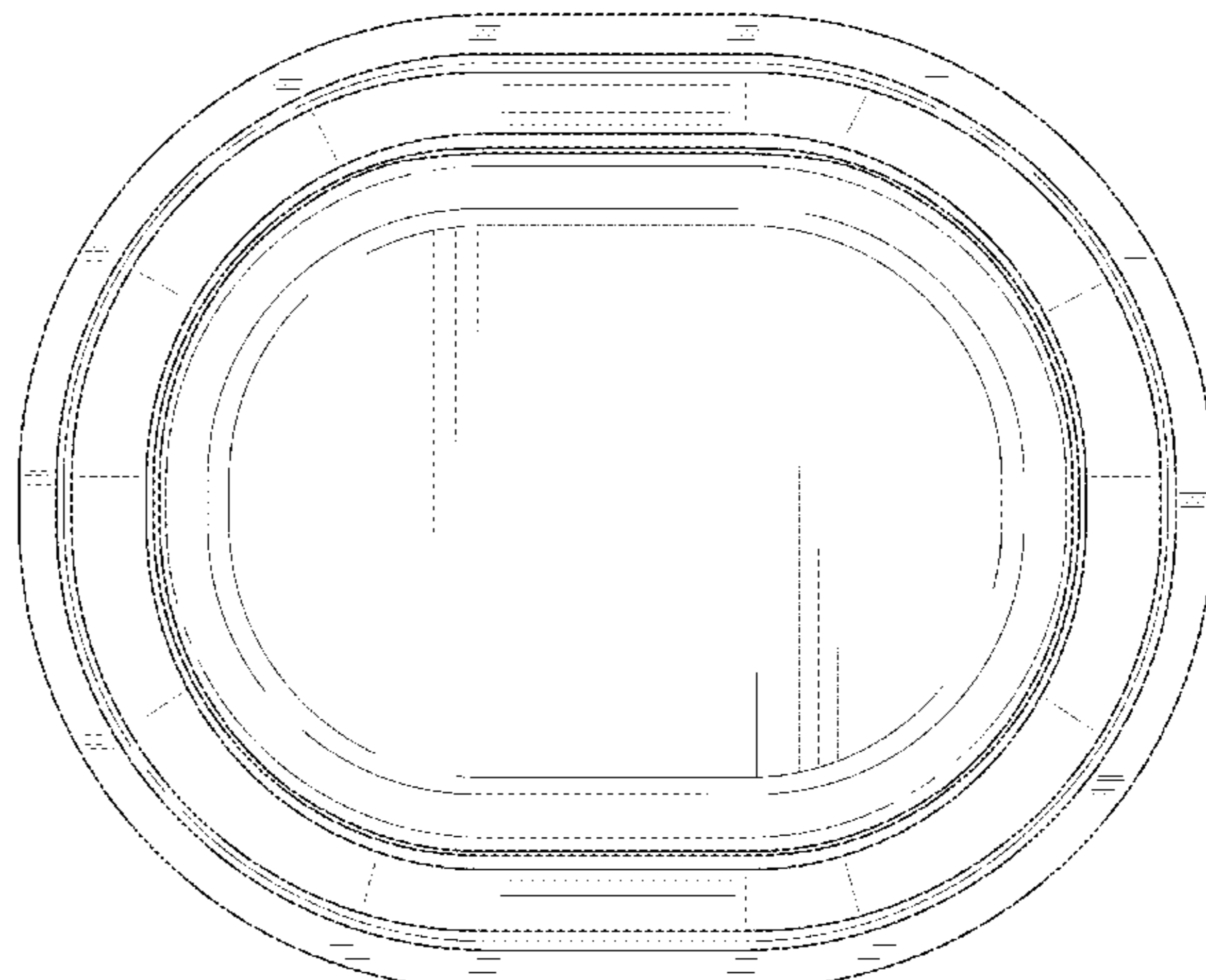
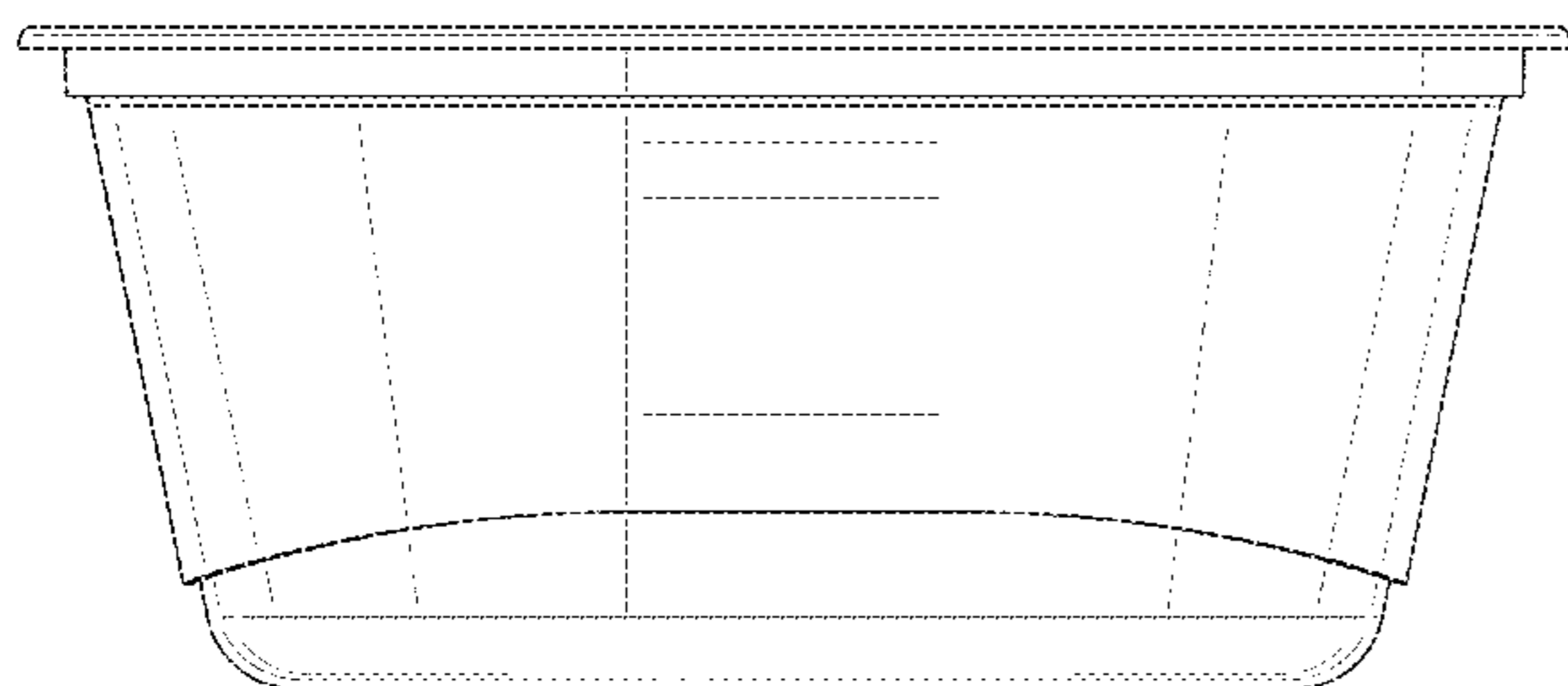
FIG. 5 is a left elevational view of the design of FIG. 1;

FIG. 6 is a top plan view of the design of FIG. 1; and,

FIG. 7 is a bottom plan view of the design of FIG. 1.

The broken lines in the drawings showing the container illustrate the portions of the container that form no part of the claim.

1 Claim, 7 Drawing Sheets



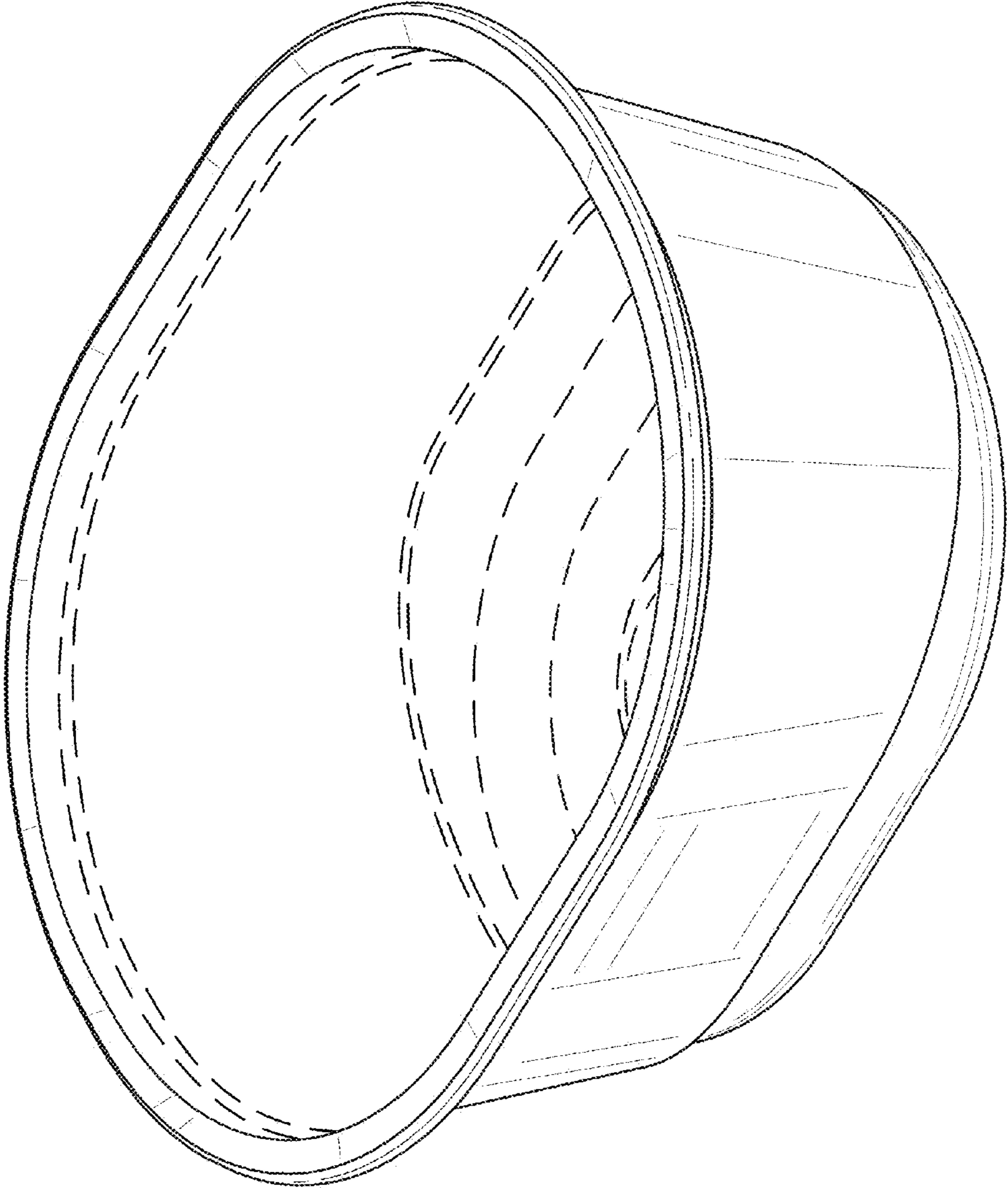


FIG. 1

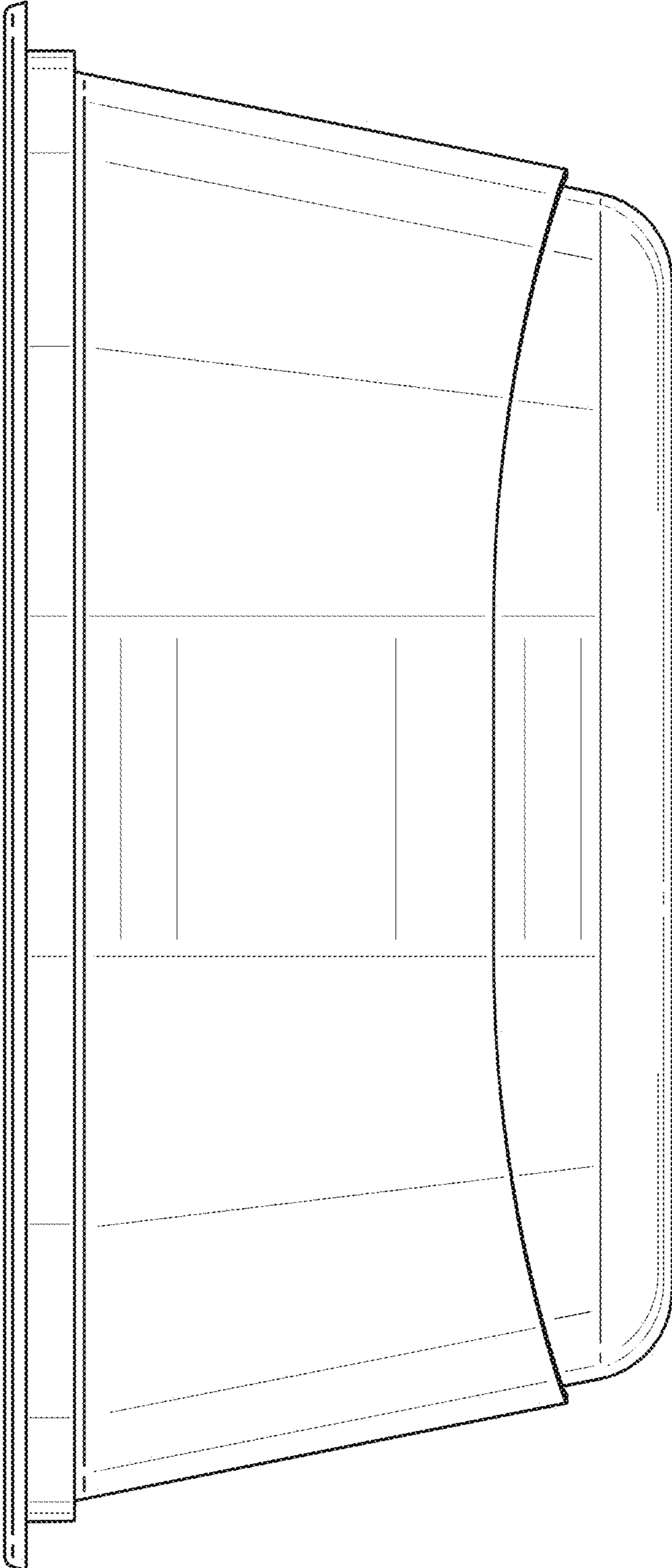


FIG. 2

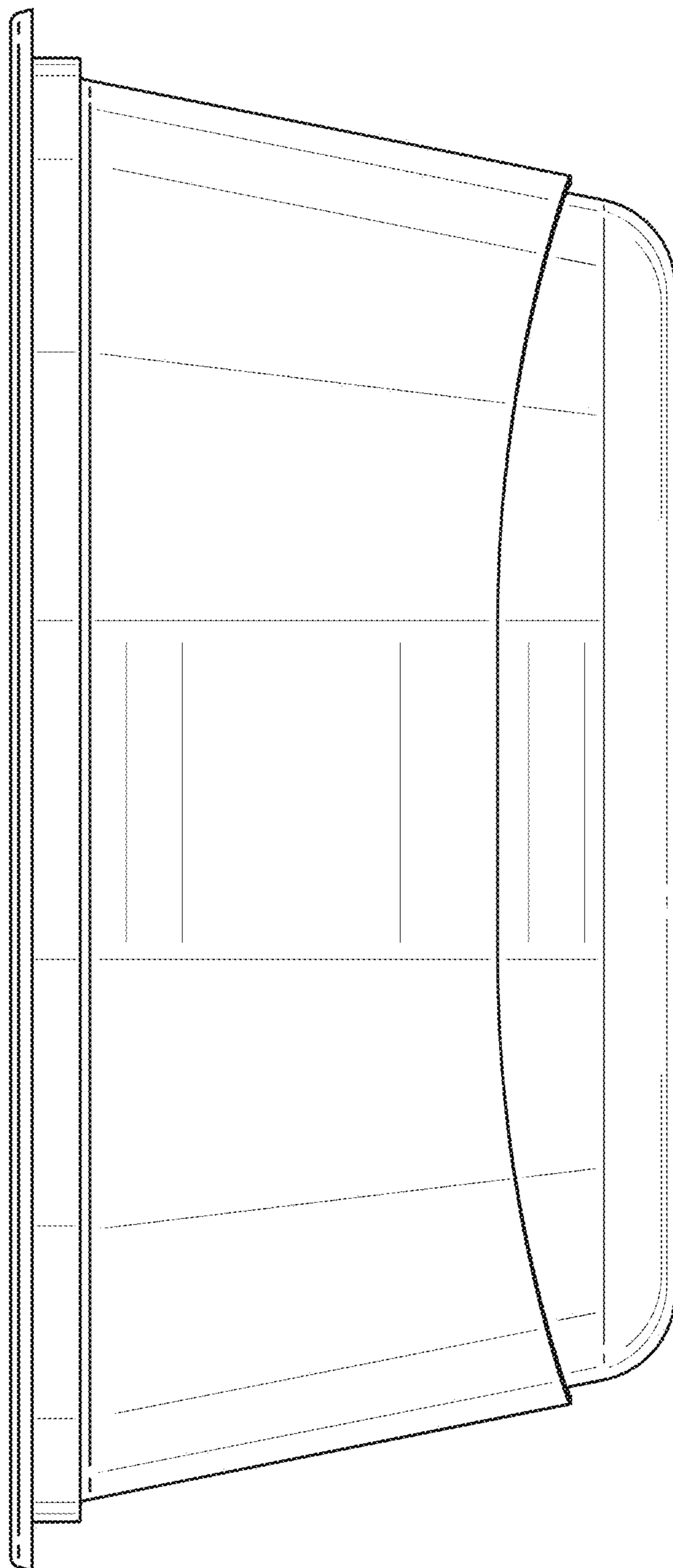


FIG. 3

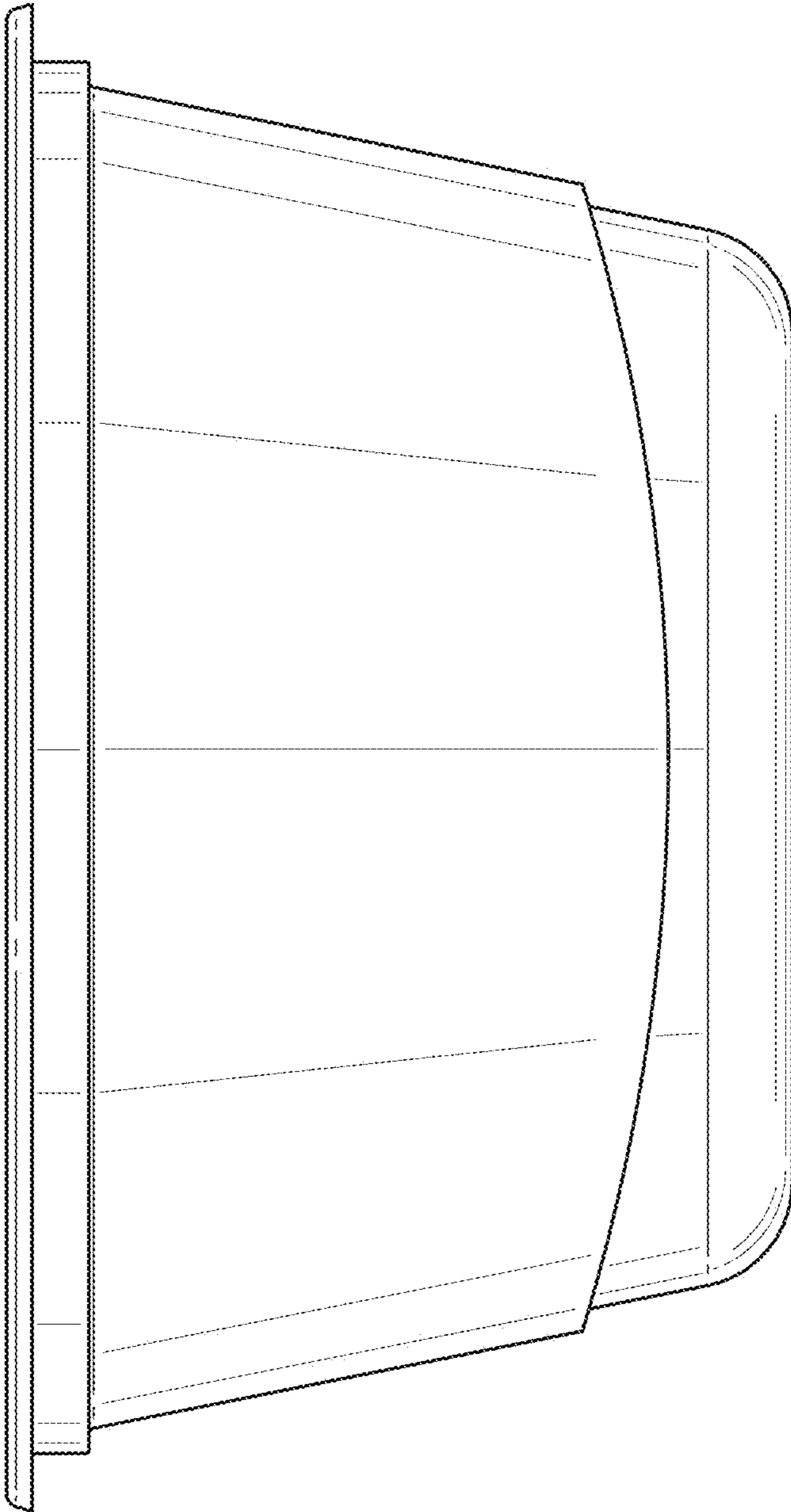


FIG. 4

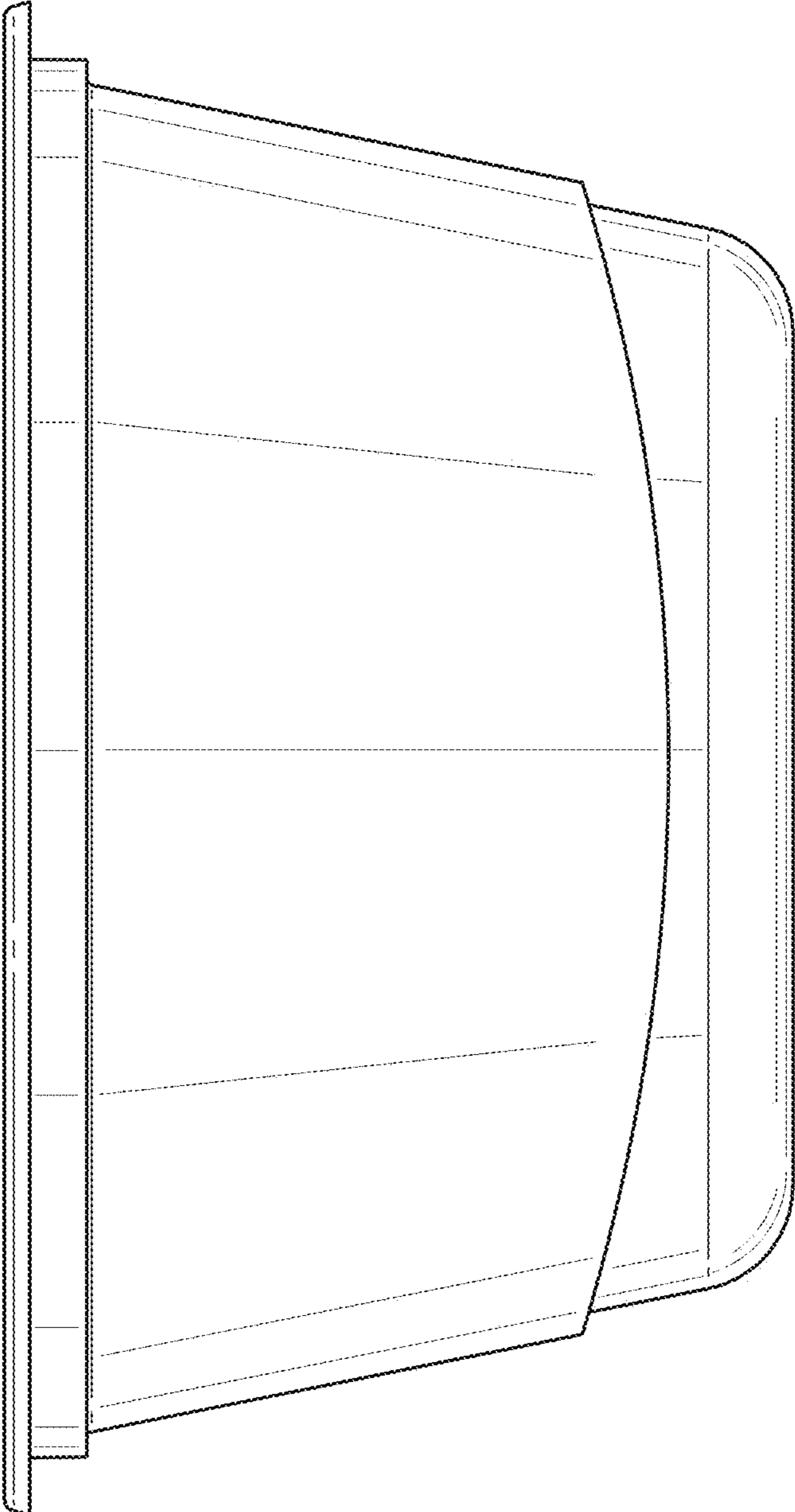


FIG. 5

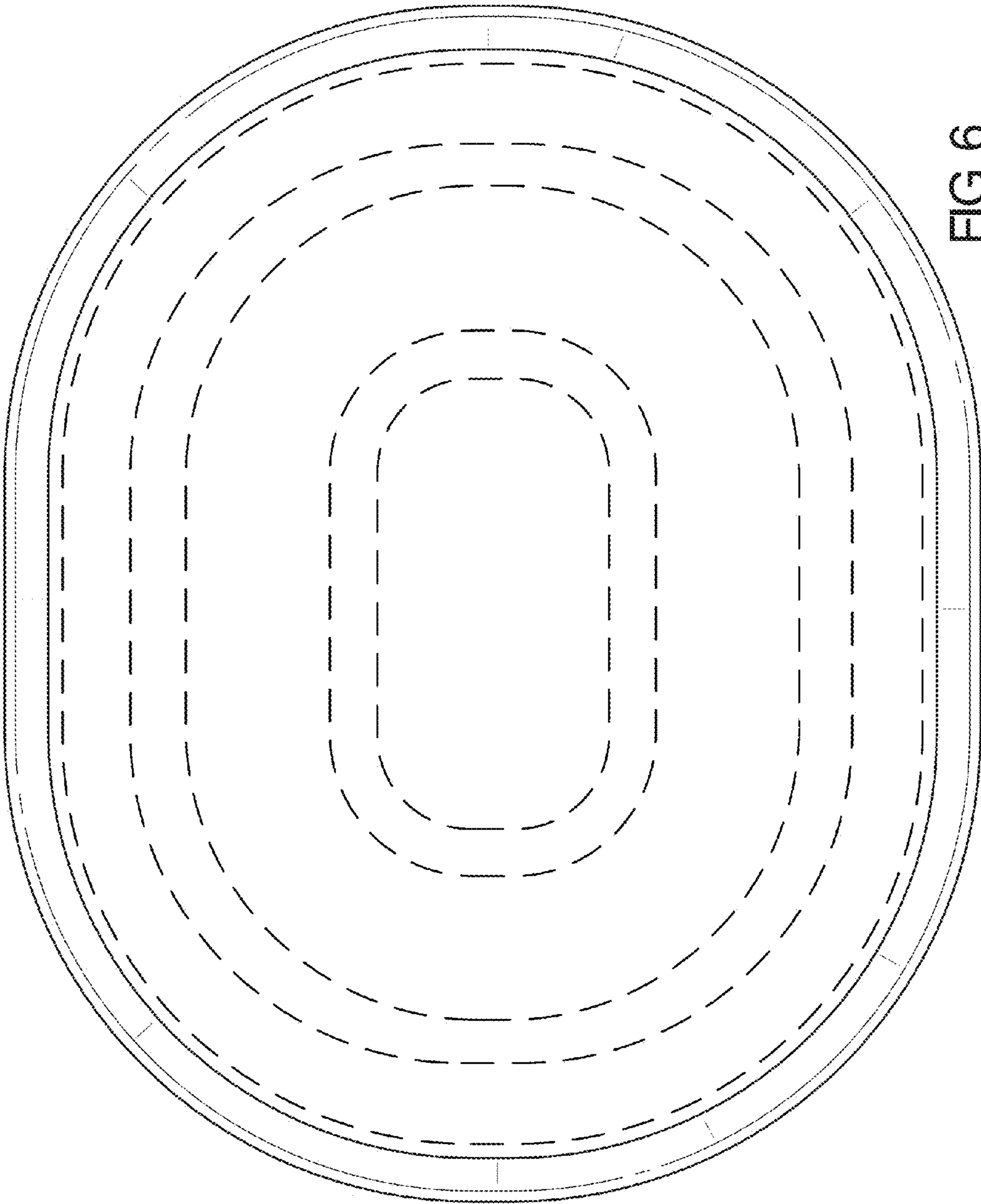


FIG. 6

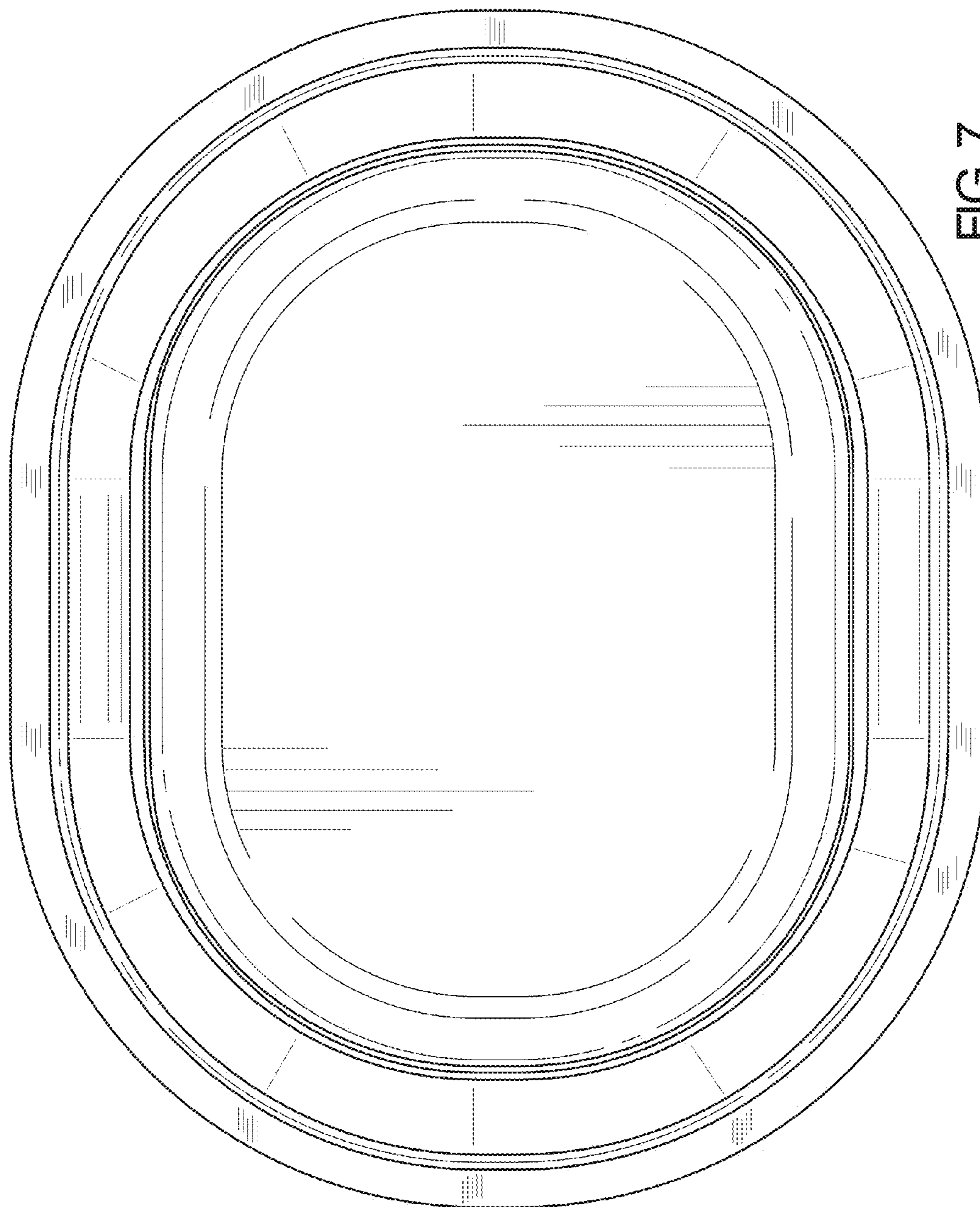


FIG. 7