



US00D764274S

(12) **United States Design Patent**  
**Arinsmier et al.**

(10) **Patent No.:** **US D764,274 S**

(45) **Date of Patent:** **\*\* Aug. 23, 2016**

(54) **PACKAGE FOR WAX ARTICLES**

(71) Applicant: **The Procter & Gamble Company,**  
Cincinnati, OH (US)

(72) Inventors: **Keri Marsh Arinsmier,** Cincinnati, OH  
(US); **Nancy Deters Slayton,** Springfield  
Township, OH (US)

(73) Assignee: **The Procter & Gamble Company,**  
Cincinnati, OH (US)

(\*\*) Term: **14 Years**

(21) Appl. No.: **29/464,893**

(22) Filed: **Aug. 22, 2013**

(51) **LOC (10) Cl.** ..... **09-03**

(52) **U.S. Cl.**  
USPC ..... **D9/425**

(58) **Field of Classification Search**  
USPC ..... D9/414, 415, 416, 419, 420, 421, 424,  
D9/425, 428, 429, 454; D7/619.1, 629,  
D7/672; 229/406; 220/656-659, 669-675,  
220/912, 4.21-4.27; 206/503, 521.1, 553,  
206/557, 541, 564, 775, 776, 217; D3/294  
CPC ..... A47J 36/06; A47J 47/14; B65D 1/165;  
B65D 15/08; B65D 21/083; B65D 21/0234;  
B65D 43/162; B65D 71/50; B65D 77/24;  
B65D 81/3869; B65D 2543/00046; B65D  
2543/00055; B65D 2543/00083; B65D  
2543/00092; B65D 2543/00296  
See application file for complete search history.

(56) **References Cited**

**U.S. PATENT DOCUMENTS**

3,844,525 A \* 10/1974 Parmett ..... 249/127  
D268,331 S 3/1983 Kay et al.  
D272,203 S \* 1/1984 Di Bartolo ..... D3/295  
D297,914 S 10/1988 Goodman  
D305,408 S 1/1990 LaJoie

D308,485 S \* 6/1990 Yeske ..... D9/415  
D317,864 S \* 7/1991 Turk ..... D9/759  
5,054,610 A \* 10/1991 Ajello ..... 206/5.1  
D361,508 S \* 8/1995 Schnack ..... D9/759  
D364,343 S 11/1995 Mello  
D378,894 S 4/1997 Mello  
D451,382 S \* 12/2001 Adkins ..... D9/415  
D458,125 S 6/2002 Tachikawa et al.  
D462,263 S 9/2002 Tachikawa et al.

(Continued)

**OTHER PUBLICATIONS**

Mommy's Kitchen "Better Homes & Gardens Scented Wax Warmer  
{Review}" (on-line), posted Oct. 26, 2011. Retrieved from Internet  
Apr. 8, 2015, URL: <http://www.mommyskitchen.net/2011/10/better-homes-gardens-scented-wax-warmer.html> (5 pages).\*

(Continued)

*Primary Examiner* — Karen S Acker

*Assistant Examiner* — Wendy Arminio

(74) *Attorney, Agent, or Firm* — Abbey A. Lopez; Amy I. Ahn-Roll

(57) **CLAIM**

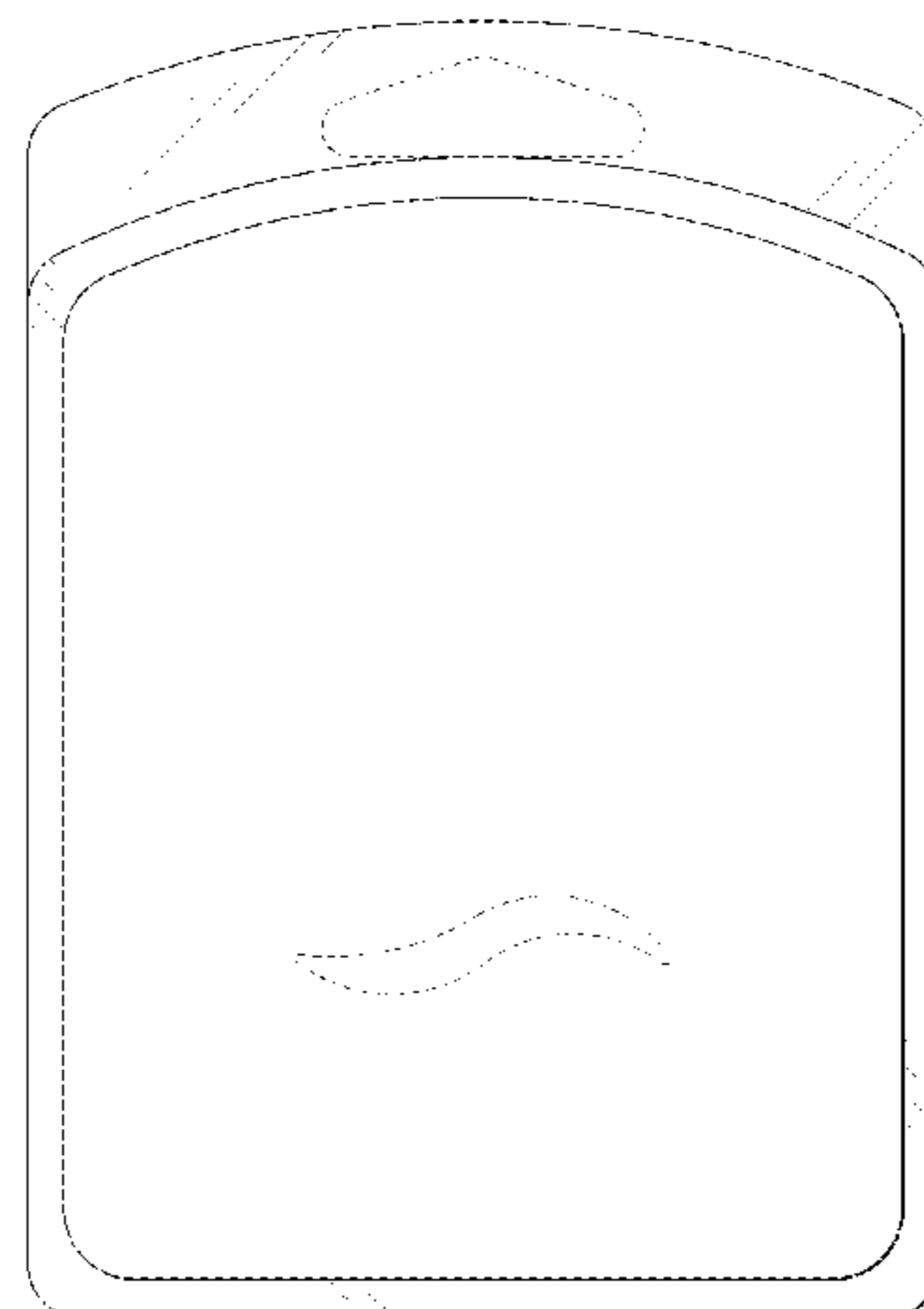
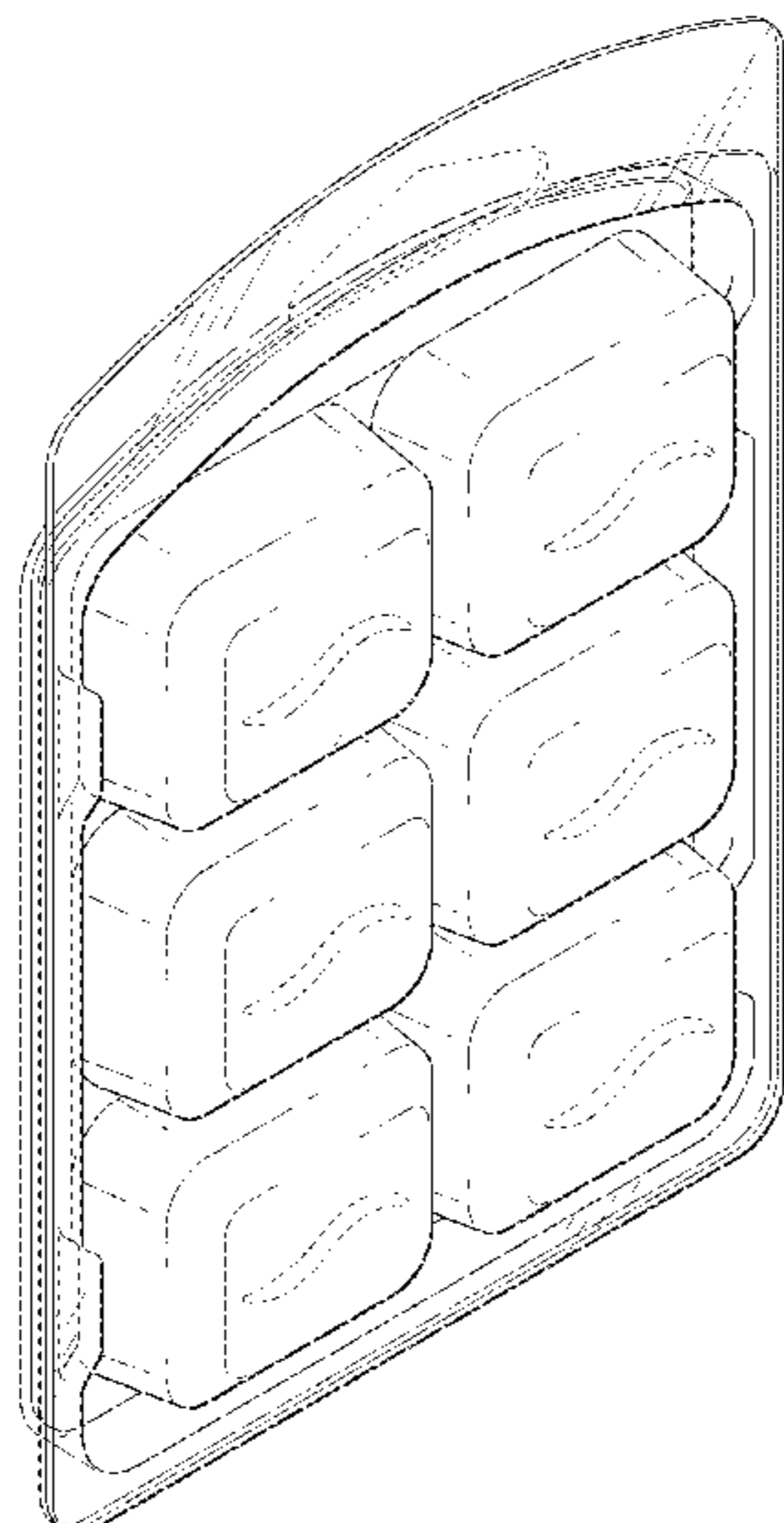
The ornamental design for a package for wax articles, as shown and described.

**DESCRIPTION**

FIG. 1 is a back perspective view of a package for wax articles;  
FIG. 2 is a front view thereof;  
FIG. 3 is a back view thereof;  
FIG. 4 is a left view thereof;  
FIG. 5 is a right view thereof;  
FIG. 6 is a top view thereof; and,  
FIG. 7 is a bottom view thereof.

The broken lines shown in the drawings depict portions of the package for wax articles that form no part of the claimed design.

**1 Claim, 5 Drawing Sheets**



(56)

**References Cited**

U.S. PATENT DOCUMENTS

D463,741 S 10/2002 Green  
 D494,857 S \* 8/2004 Chen et al. .... D9/759  
 D517,909 S 3/2006 Kent et al.  
 D534,795 S \* 1/2007 Manuel et al. .... D9/425  
 D537,735 S \* 3/2007 Fountoulakis .... D9/756  
 D542,649 S \* 5/2007 Sagel et al. .... D9/759  
 D548,110 S \* 8/2007 Pugh .... D9/732  
 D556,565 S 12/2007 Nazari  
 D561,581 S 2/2008 Croft et al.  
 D562,127 S \* 2/2008 Croft et al. .... D9/418  
 D592,045 S \* 5/2009 Banakar et al. .... D9/759  
 D597,379 S 8/2009 Changpan  
 D599,654 S 9/2009 Kosaka et al.  
 D622,407 S \* 8/2010 Brown et al. .... D24/229  
 D623,935 S \* 9/2010 Kim et al. .... D9/415  
 D628,058 S 11/2010 Beaty  
 D641,233 S 7/2011 Pugh  
 D646,561 S 10/2011 Pugh  
 D648,226 S \* 11/2011 Golota et al. .... D9/737  
 D688,571 S \* 8/2013 Logue .... D9/732

8,672,130 B2 \* 3/2014 Aldridge ..... 206/468  
 D701,755 S \* 4/2014 Fathollahi et al. .... D9/415  
 D724,425 S \* 3/2015 Atkinson ..... D9/415  
 2008/0053863 A1 \* 3/2008 Glydon et al. .... 206/531  
 2012/0160731 A1 \* 6/2012 Aldridge et al. .... 206/534

OTHER PUBLICATIONS

ScentSationals Wickless Candles (on-line), posted on Facebook Jun. 8, 2012. Retrieved from Internet Apr. 8, 2015, URL: <https://www.facebook.com/ScentSationalsWicklessCandles/photos/pb.267585516645.-.2207520000.1428507034./10150846612606646/?type=3&theater> (1 page).  
 Musings of a Muse "Febreze Wax Melts Quick Review" (on-line), posted Feb. 10, 2014. Retrieved from Internet Apr. 16, 2015, URL: <http://www.musingsofamuse.com/2014/02/febreze-wax-melts-quick-review.html> (2 pages).  
 Product in photo. Product is found at <http://www.walmart.com/ip/Febreze-Home-Collection-Wax-Melts-Rosewood-Plum-6-Pack/23717656> (dated Aug. 12, 2013).

\* cited by examiner

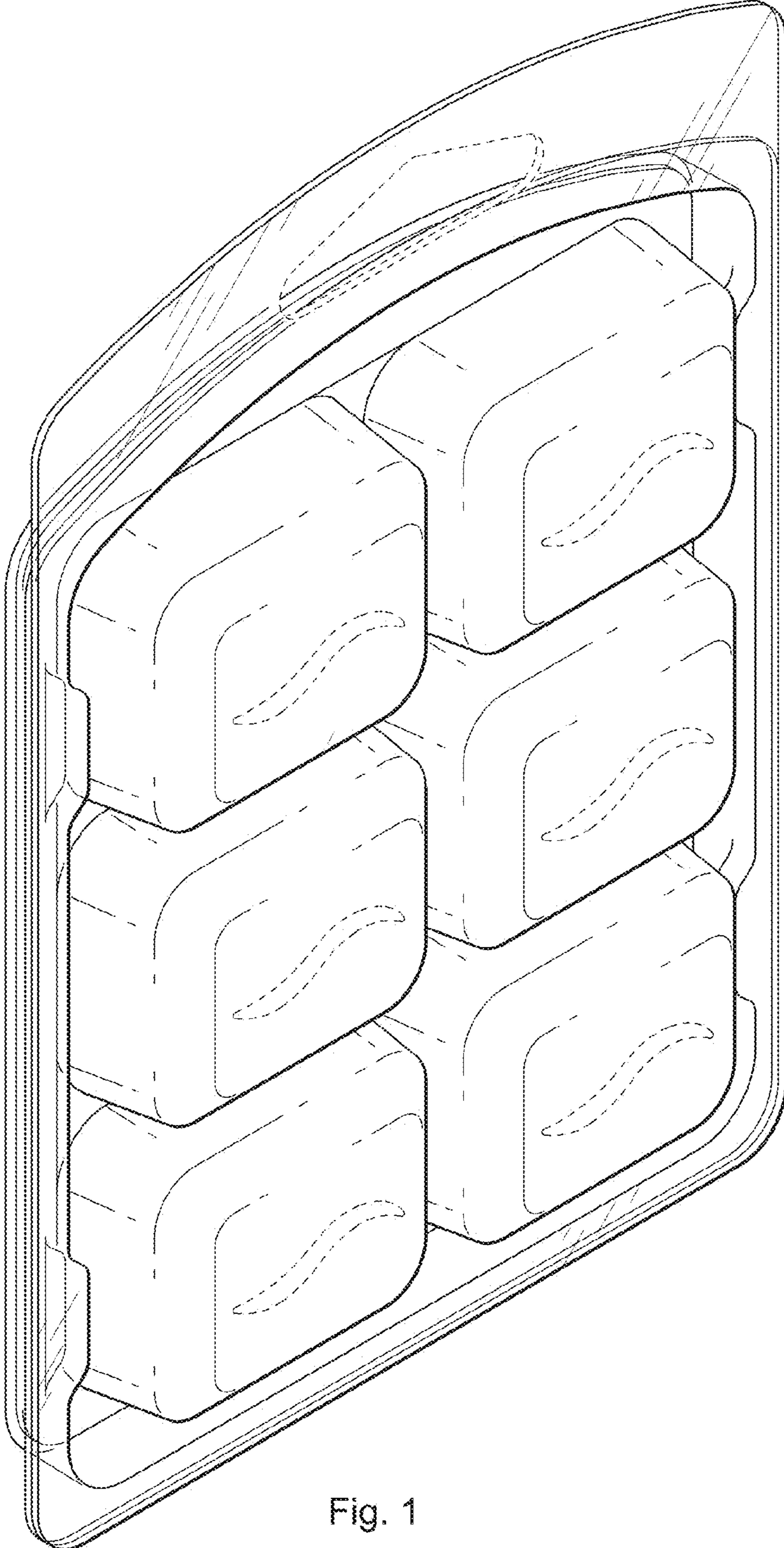


Fig. 1

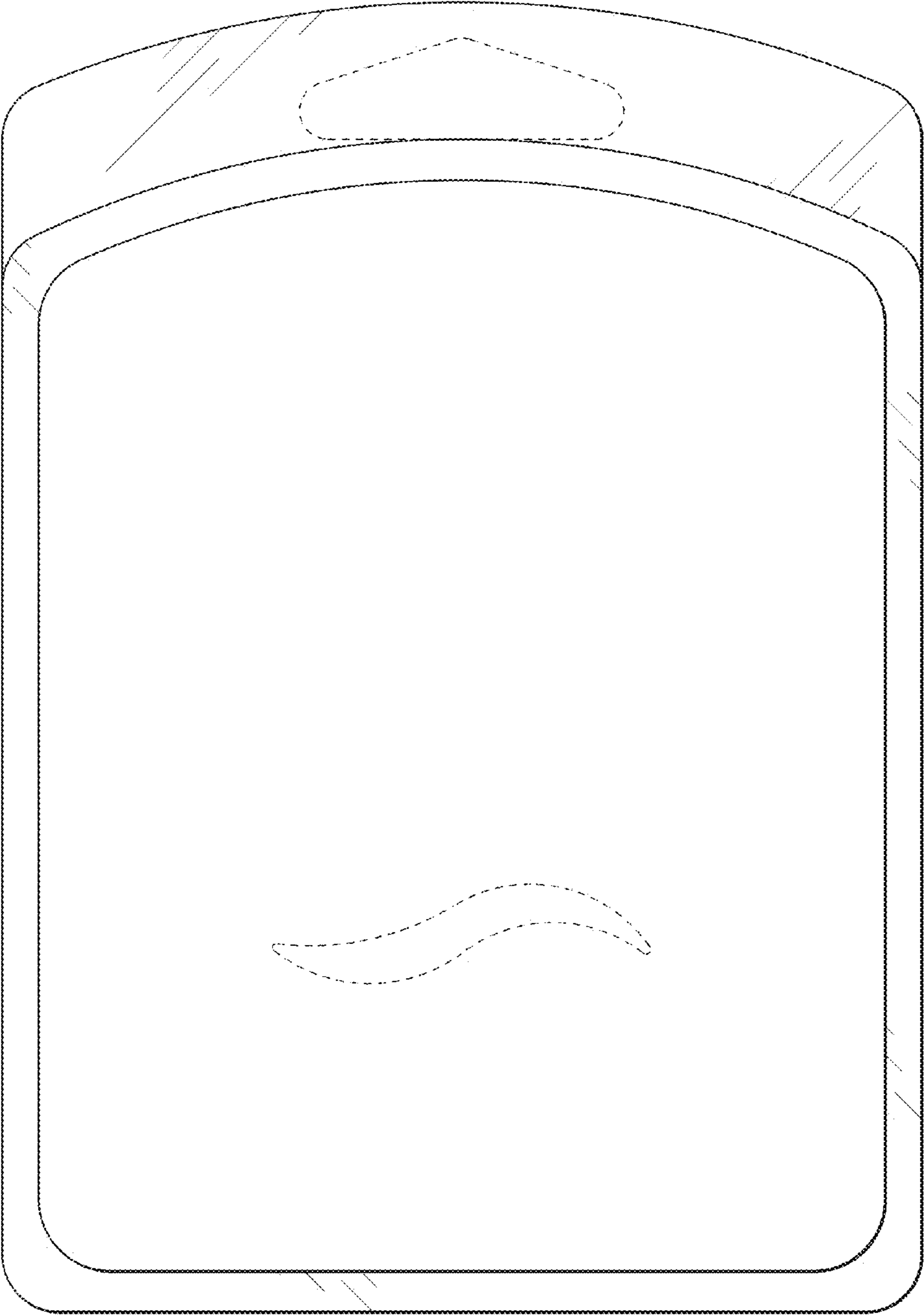


Fig. 2

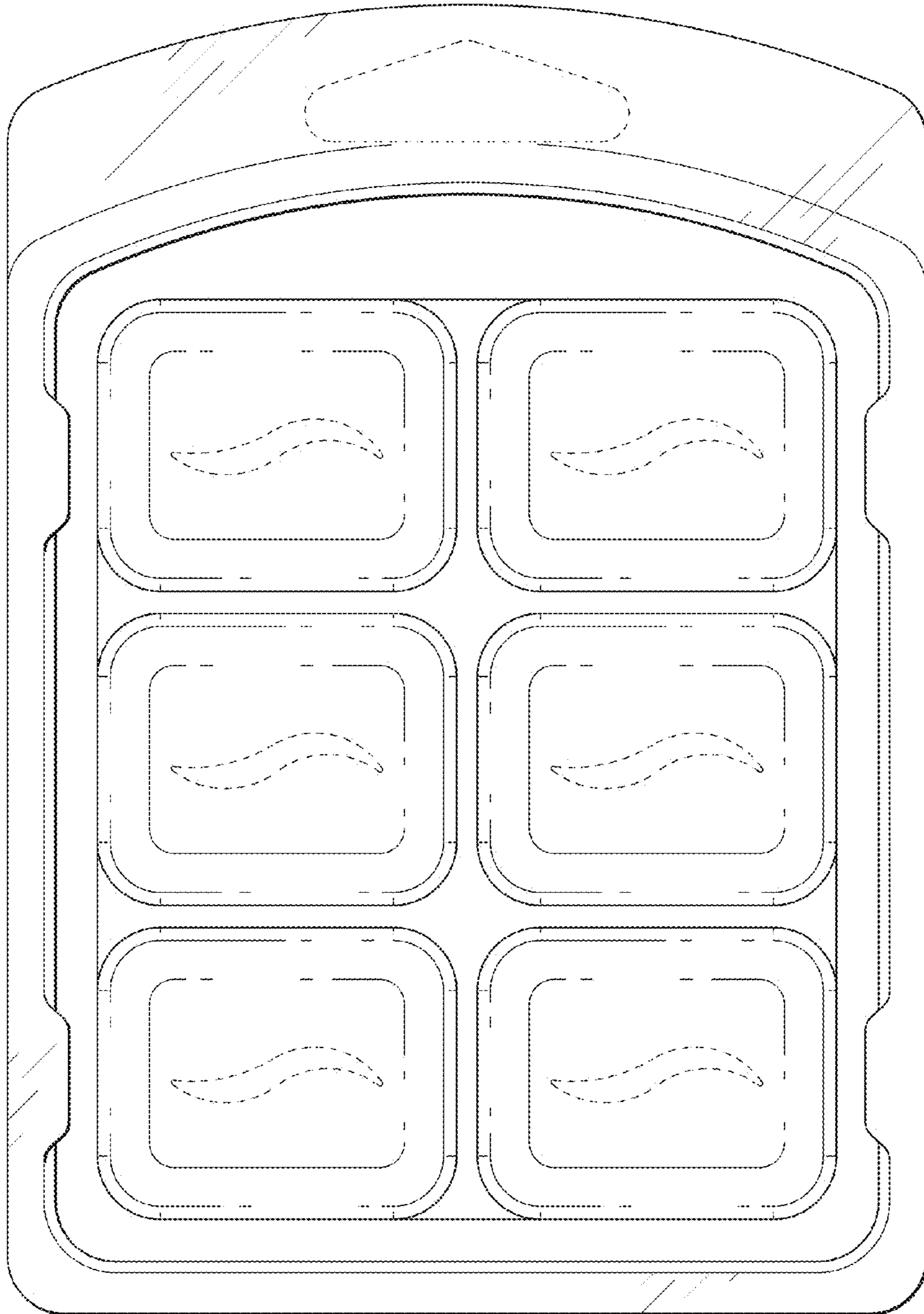


Fig. 3

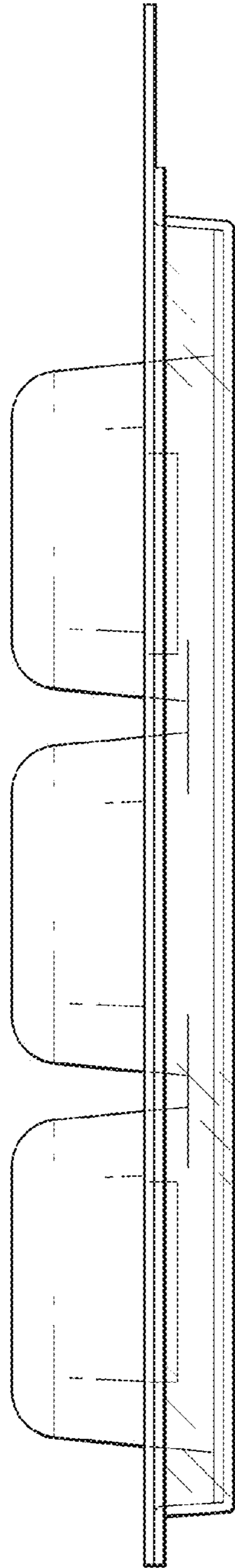


Fig. 4

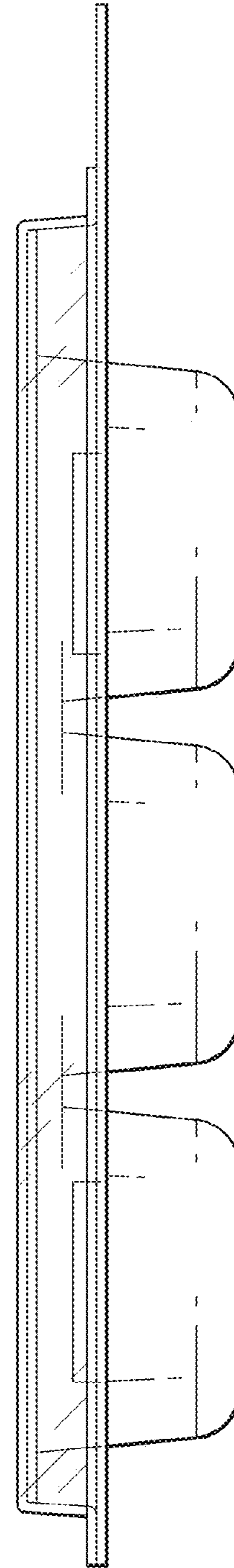


Fig. 5

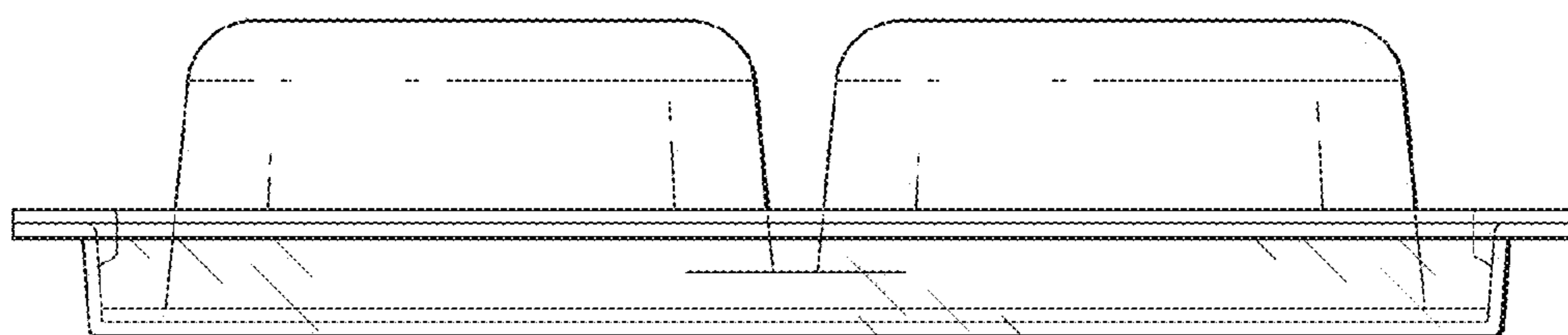


Fig. 6

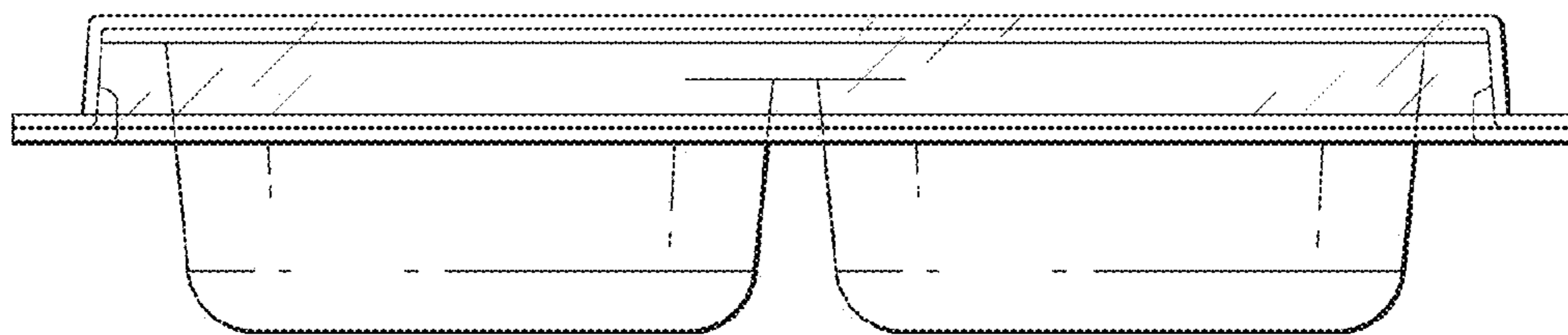


Fig. 7