



US00D764272S

(12) **United States Design Patent**
Hoglund et al.

(10) **Patent No.:** **US D764,272 S**
(45) **Date of Patent:** **** Aug. 23, 2016**

(54) **PACKAGING**

(71) Applicant: **KWH Mirka Ltd, Jepua (FI)**

(72) Inventors: **Goran Hoglund, Nykarleby (FI);
Beatriz Meana-Esteban, Peitarsaari (FI); Kim Nylund, Vaasa (FI)**

(73) Assignee: **KWH MIRKA LTD, Jepua (FI)**

(**) Term: **14 Years**

(21) Appl. No.: **29/514,093**

(22) Filed: **Jan. 8, 2015**

(30) **Foreign Application Priority Data**

Jul. 9, 2014 (EM) 2499434-0001

(51) **LOC (10) Cl.** **09-03**

(52) **U.S. Cl.**
USPC **D9/420; D9/432; D9/433**

(58) **Field of Classification Search**
USPC D9/414–415, 417, 418, 420–427,
D9/430–434, 634, 721, 783–744, 751, 756,
D9/759, 760; D3/272, 273, 302, 304–309,
D3/315; D7/601, 602, 609, 619.1, 630
CPC B65D 5/00–5/02; B65D 5/0209–5/0272;
B65D 5/029; B65D 5/40; B65D 5/72; B65D
5/727

See application file for complete search history.

(56) **References Cited**

U.S. PATENT DOCUMENTS

2,293,187	A *	8/1942	Becker	B65D 5/3621 206/389
2,322,389	A *	6/1943	Priee	B65D 5/0254 229/153
2,959,339	A *	11/1960	Sierk	B65D 5/0254 206/446
3,018,942	A *	1/1962	Arneson	B65D 5/0227 229/160.1
4,742,630	A *	5/1988	Scumaci	G09F 23/00 40/333
D305,101	S *	12/1989	Winterling	D9/416
D349,645	S *	8/1994	van Loo	D9/418
D394,606	S *	5/1998	Zorn	D9/416
D479,685	S *	9/2003	Zanchetta	D9/433
D555,471	S *	11/2007	Lebras	D9/418
D702,565	S *	4/2014	Gale	D9/734
D751,378	S *	3/2016	Solovov, Jr.	D9/414

* cited by examiner

Primary Examiner — Vy Koenig

(74) *Attorney, Agent, or Firm* — Jacobson Holman, PLLC.

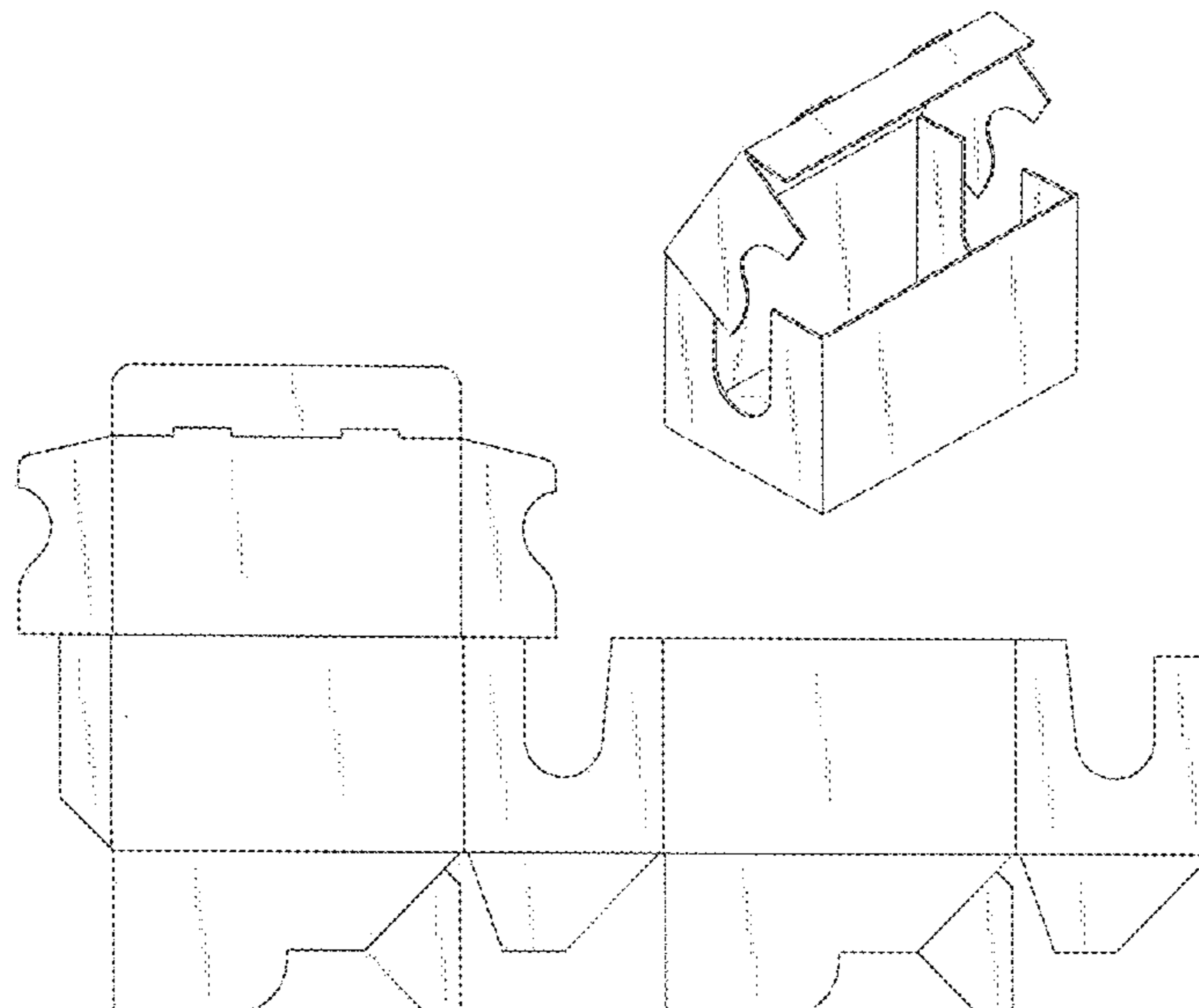
(57) **CLAIM**

We claim the ornamental design for packaging, as shown and described.

DESCRIPTION

FIG. 1 is a front perspective view of a packaging embodying our design;
FIG. 2 is a front perspective view of FIG. 1 with the top flap opened;
FIG. 3 is a top plan view of FIG. 1;
FIG. 4 is a bottom view of FIG. 1;
FIG. 5 is a right side elevational view of FIG. 1;
FIG. 6 is a left side elevational view of FIG. 1; and,
FIG. 7 is a top plan view of the blank configuration of the packaging of FIG. 1.

1 Claim, 4 Drawing Sheets



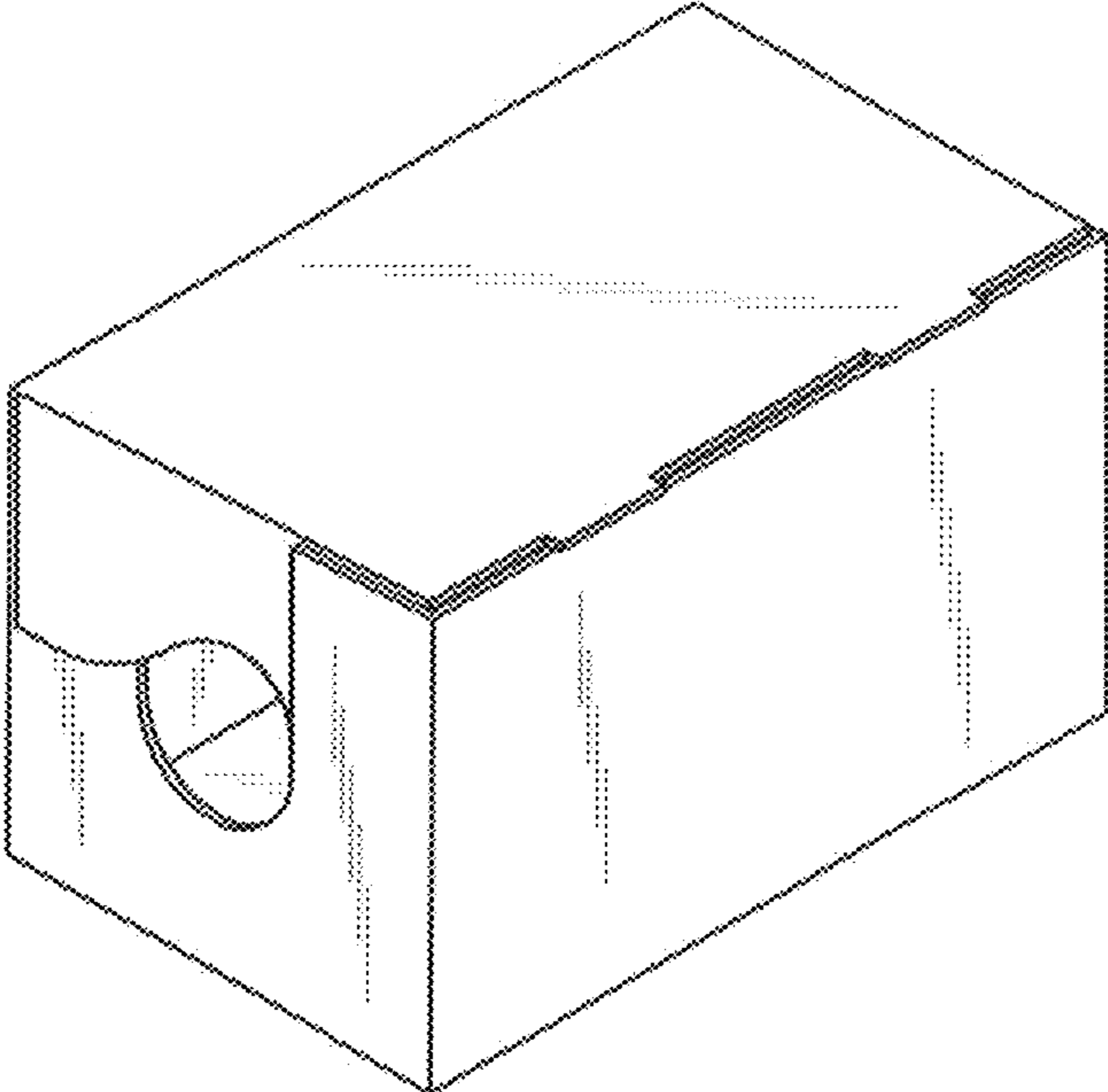


FIG. 1

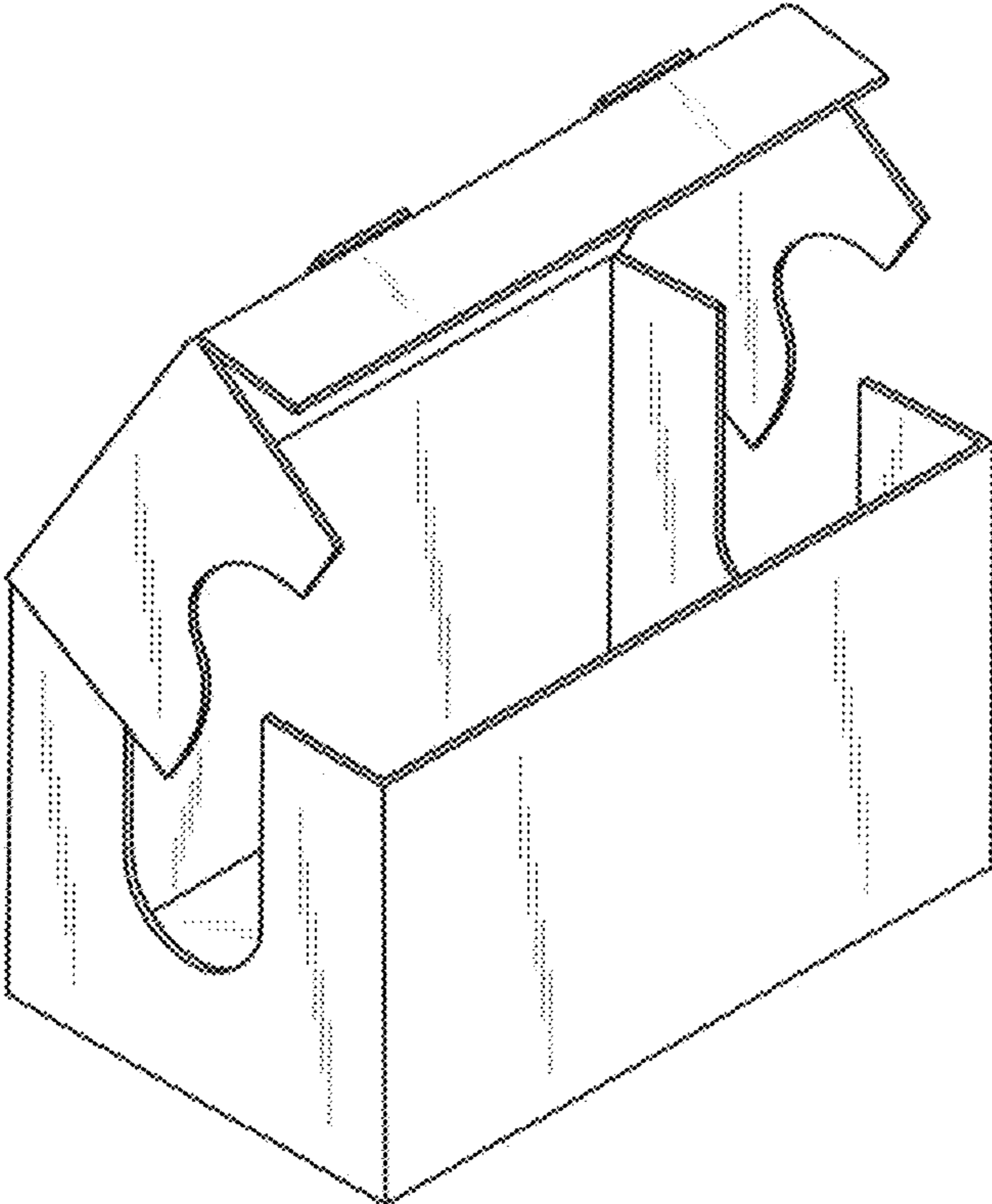


FIG. 2

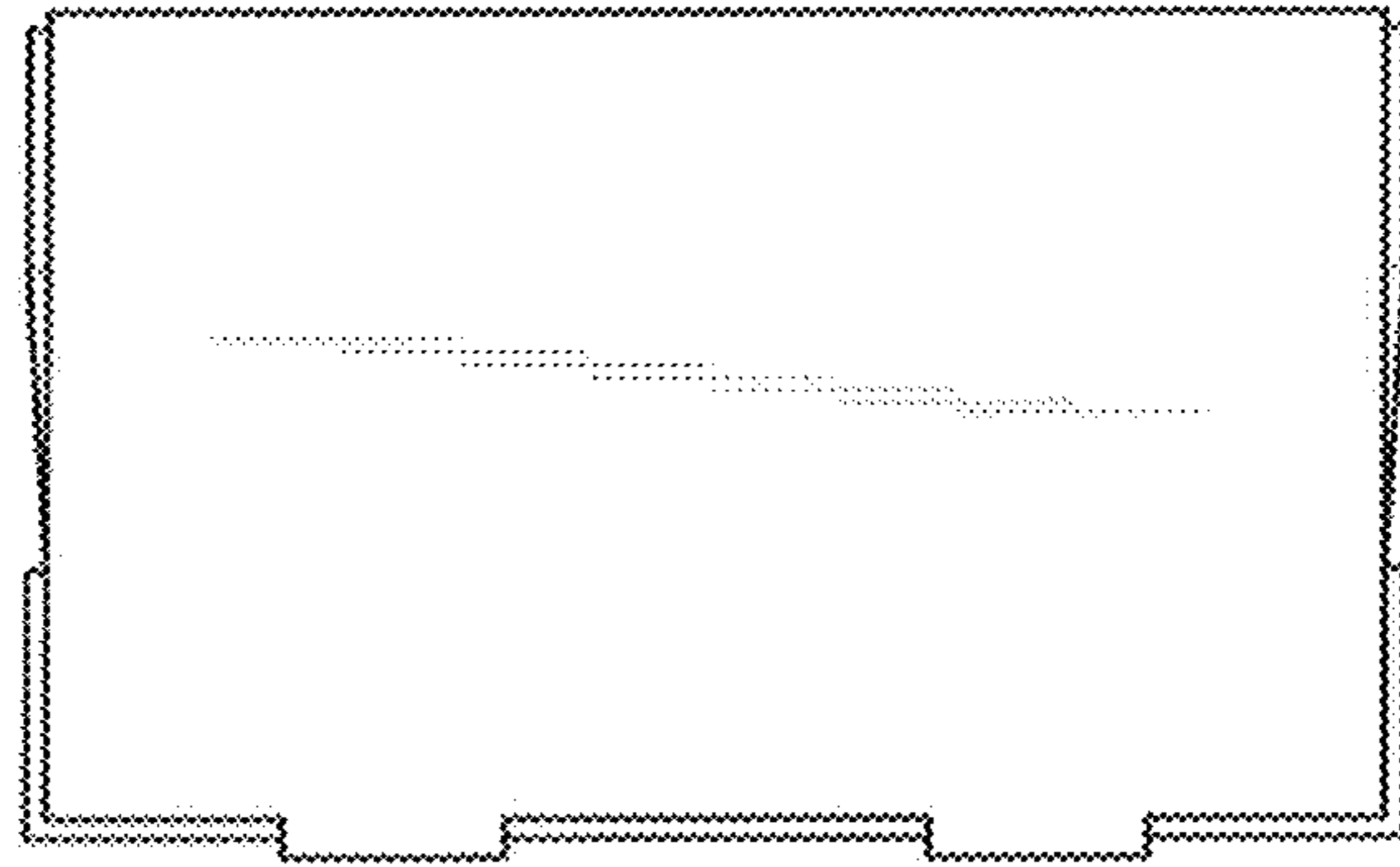


FIG. 3

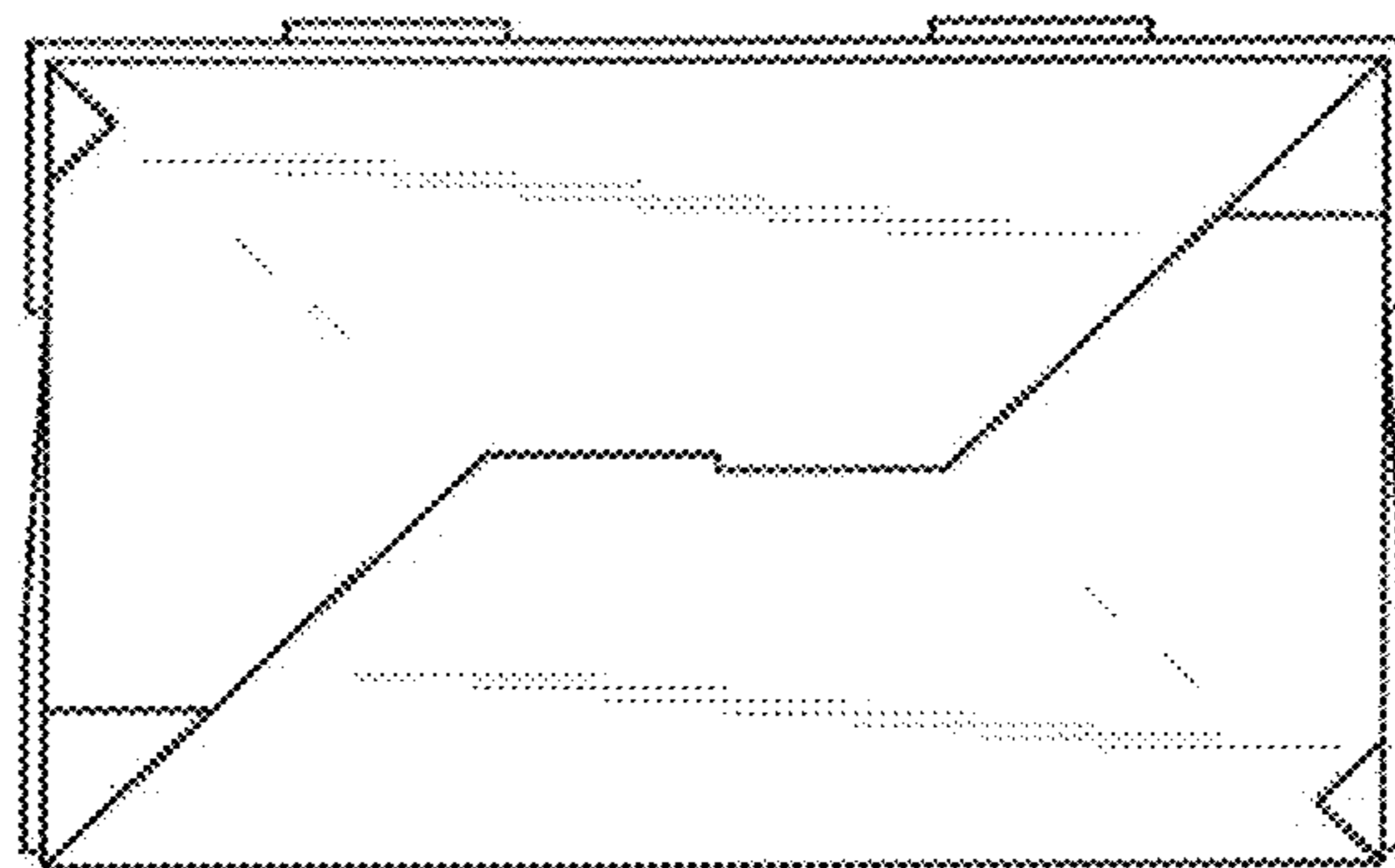


FIG. 4

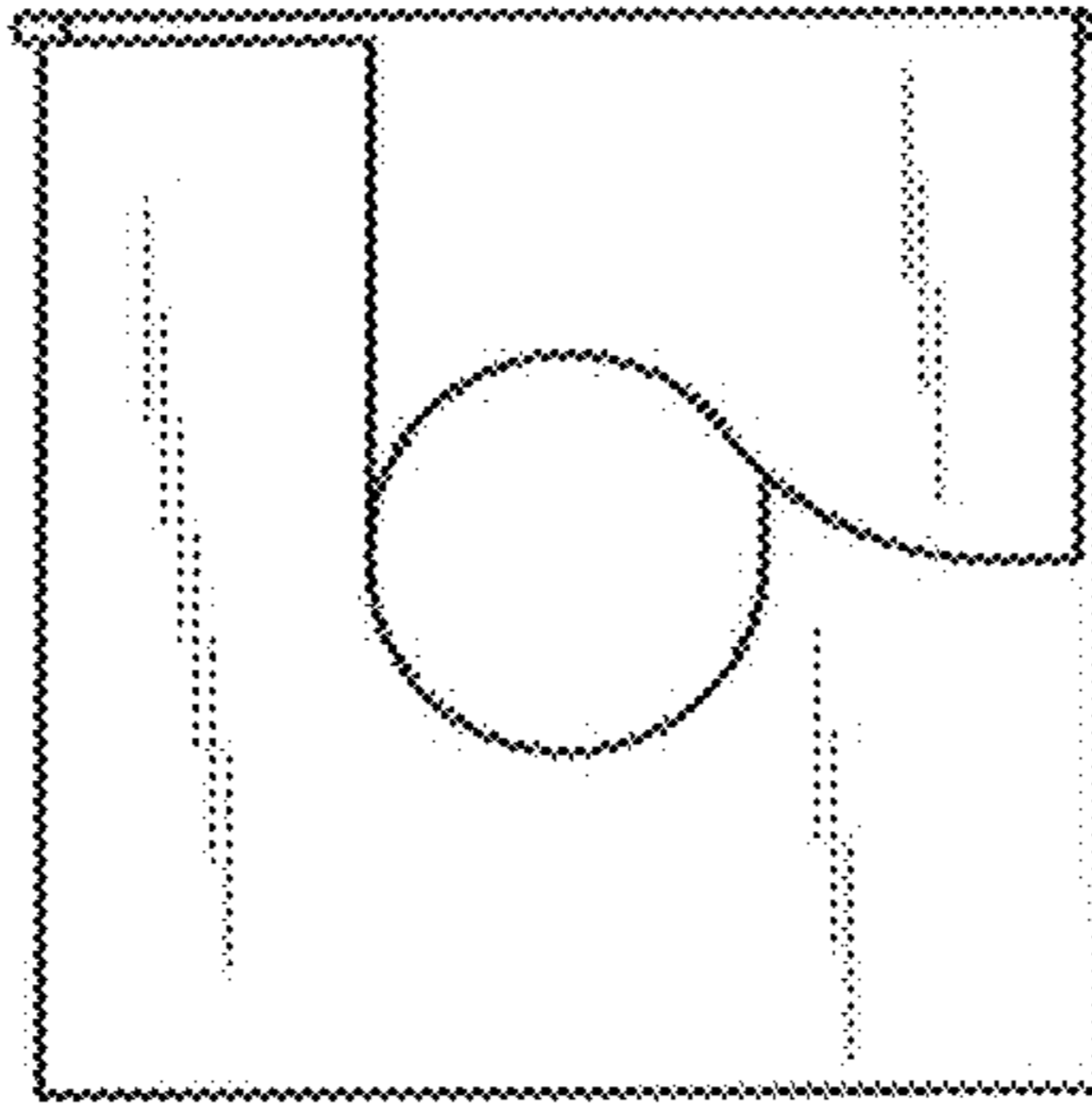


FIG. 5

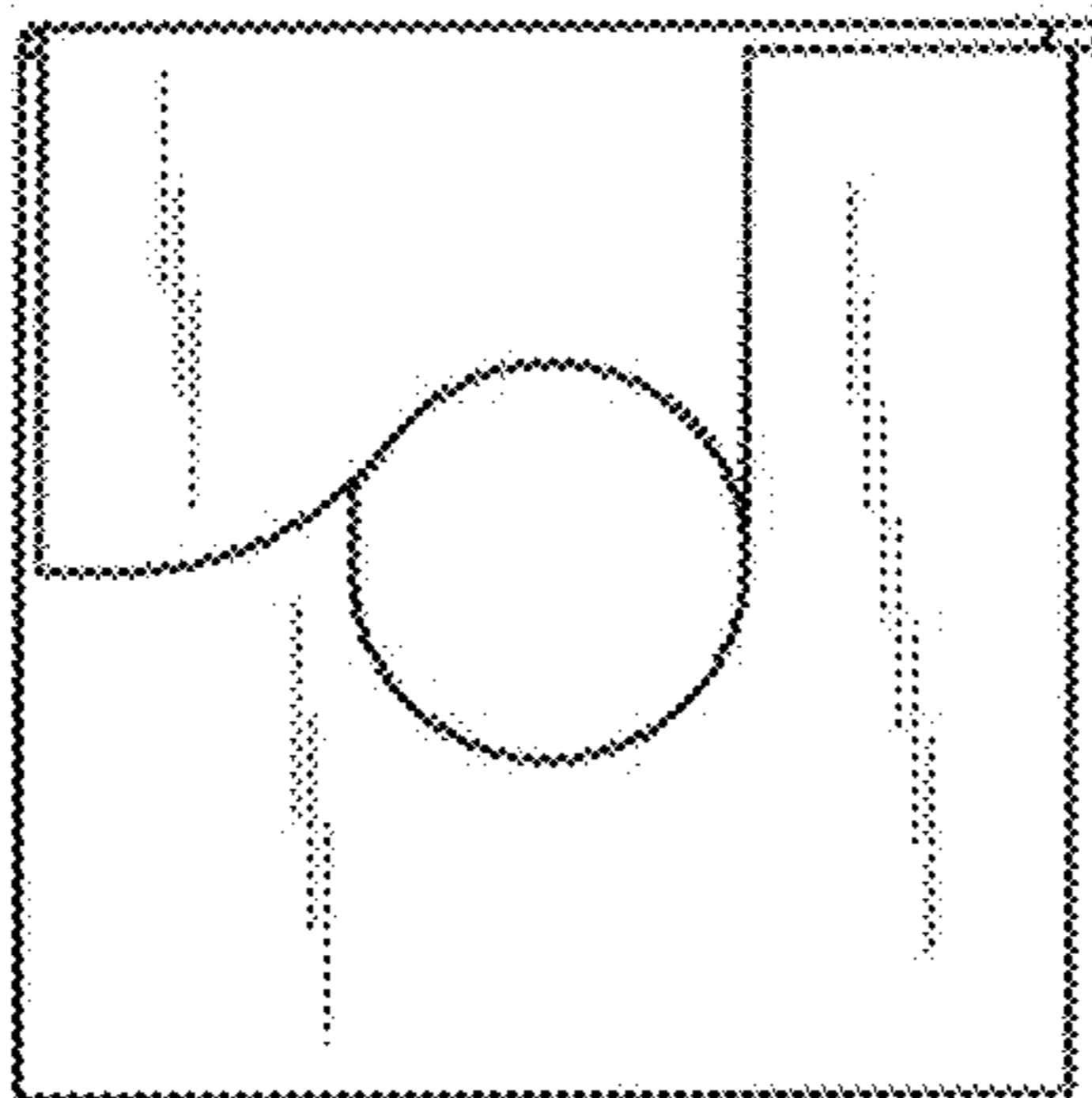


FIG. 6

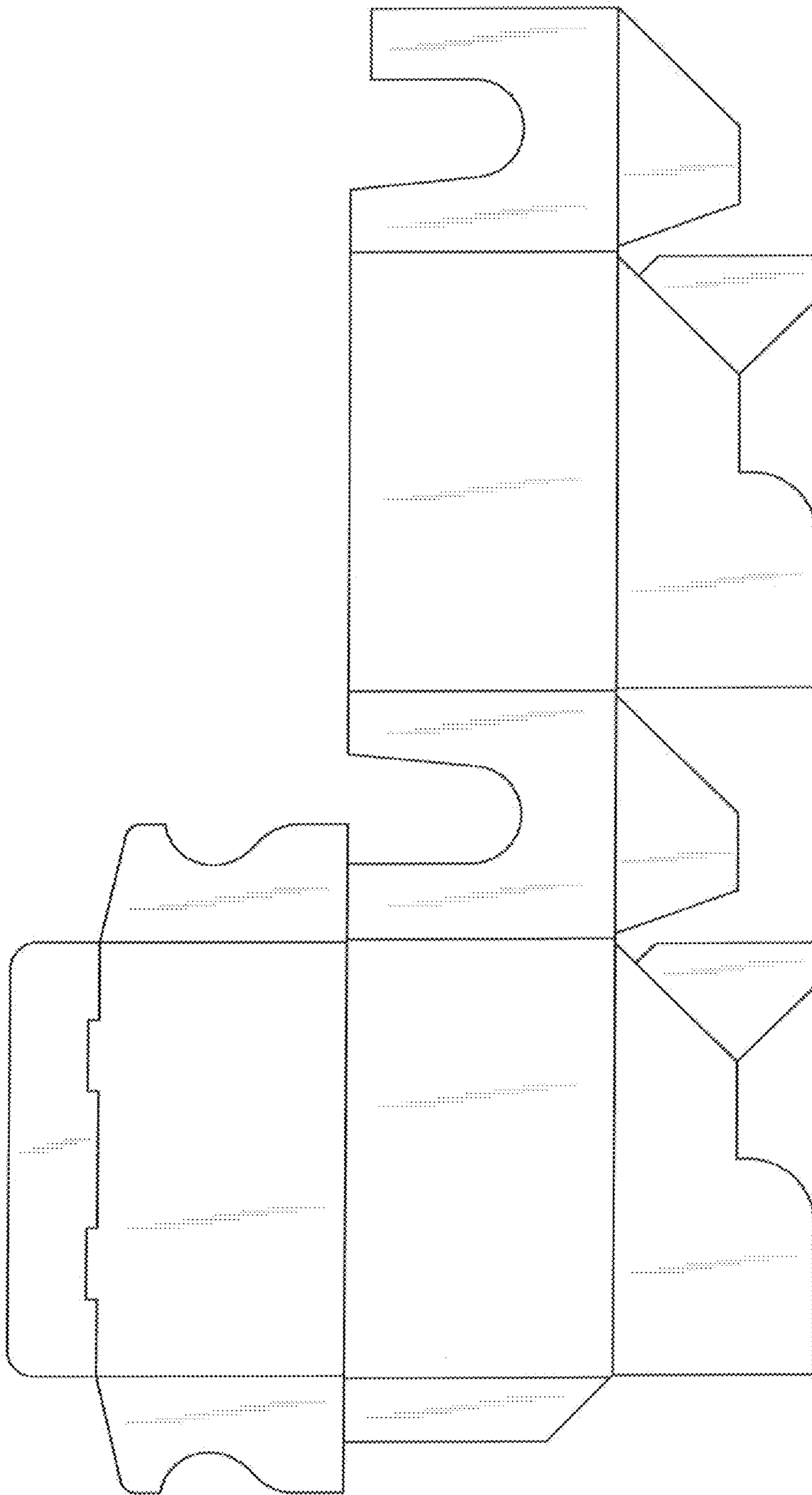


FIG. 7