

US00D764267S

(12) **United States Design Patent**
Hutter, III

(10) **Patent No.:** **US D764,267 S**

(45) **Date of Patent:** **** Aug. 23, 2016**

- (54) **HOLLOW SCREW**
- (71) Applicant: **Physical Systems, Inc.**, Carson City, NV (US)
- (72) Inventor: **Charles G. Hutter, III**, Carson City, NV (US)
- (73) Assignee: **Physical Systems, Inc.**, Carson City, NV (US)
- (**) Term: **15 Years**
- (21) Appl. No.: **29/532,513**

D679,988 S *	4/2013	Yamazaki	D8/397
D707,115 S *	6/2014	Naoi	D8/382
D713,705 S *	9/2014	Mina	D8/397
8,931,163 B2 *	1/2015	Kochheiser	B23P 11/00 29/525.11
D722,489 S *	2/2015	Yamazaki	D8/387
D726,531 S *	4/2015	Muzic	D8/387
2003/0185649 A1 *	10/2003	Mizuno	F16B 35/047 411/411
2009/0104001 A1 *	4/2009	Kochheiser	F16B 5/0275 411/383
2009/0285651 A1 *	11/2009	Cooley	B29C 45/2618 411/106
2012/0315110 A1 *	12/2012	Levey	F16B 31/04 411/415

- (22) Filed: **Jul. 7, 2015**
 - (51) **LOC (10) Cl.** **08-08**
 - (52) **U.S. Cl.**
USPC **D8/387**
 - (58) **Field of Classification Search**
USPC D8/382, 387, 349, 391, 392, 393, 499
CPC F16B 23/0038; F16B 23/0046; F16B
23/0053; F16B 23/0007; F16B 33/02; F16B
35/00; F16B 35/04; Y10S 411/919; Y10S
411/91
- See application file for complete search history.

FOREIGN PATENT DOCUMENTS

CN	101363469 A *	2/2009	F16B 35/04
CN	201221536 Y *	4/2009	F16B 35/04
EP	0370674 B1 *	2/1993	B23K 11/14
GB	1552363 A *	9/1979	F16B 25/0094
WO	WO 8805991 A3 *	11/1988	B21J 15/365

* cited by examiner

Primary Examiner — Sheryl Lane
Assistant Examiner — Ieisha Price

(74) *Attorney, Agent, or Firm* — Lowry Blixseth LLP; Scott M. Lowry

(56) **References Cited**
U.S. PATENT DOCUMENTS

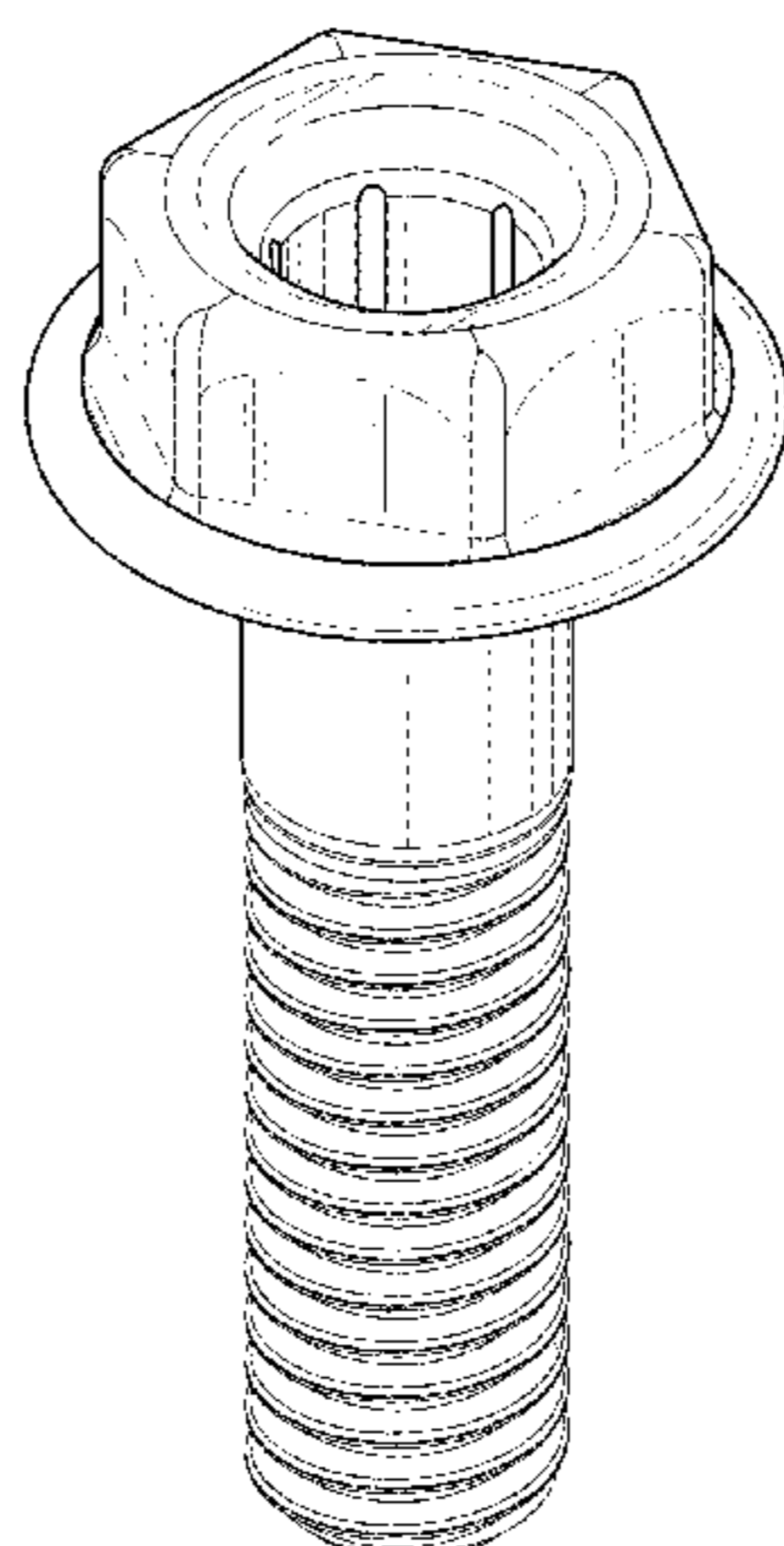
3,530,760 A *	9/1970	Lindstrand	F16B 25/0047 411/416
4,193,434 A *	3/1980	Wagner	F16B 43/00 411/154
4,238,165 A *	12/1980	Wagner	F16B 39/26 403/408.1
D264,807 S *	6/1982	Baumgartner	D8/387
4,459,074 A *	7/1984	Capuano	F16B 23/0007 411/403
RE33,901 E *	4/1992	Shinjo	B23K 11/14 411/387.1
5,913,650 A *	6/1999	Daoud	F16B 23/0038 220/327
6,045,312 A *	4/2000	Hsing	F16B 25/0021 411/399
D482,957 S *	12/2003	Lajeunesse	D8/387
D552,977 S *	10/2007	He	D8/387
D604,600 S *	11/2009	Lesesky	D8/387

(57) **CLAIM**
The ornamental design for a hollow screw, as shown and described.

DESCRIPTION

FIG. 1 is a perspective view showing the front, top and left sides of the hollow screw;
FIG. 2 is a front elevation view of the hollow screw;
FIG. 3 is a rear elevation view of the hollow screw;
FIG. 4 is a right side elevation view of the hollow screw;
FIG. 5 is a left side elevation view of the hollow screw;
FIG. 6 is a top plan view of the hollow screw; and,
FIG. 7 is a bottom plan view of the hollow screw.
The broken lines in the drawings illustrate portions of the hollow screw and form no part of the claimed design.
The depth of the internal bottom surface of the hollow shaft forms no part of the claimed design.

1 Claim, 6 Drawing Sheets



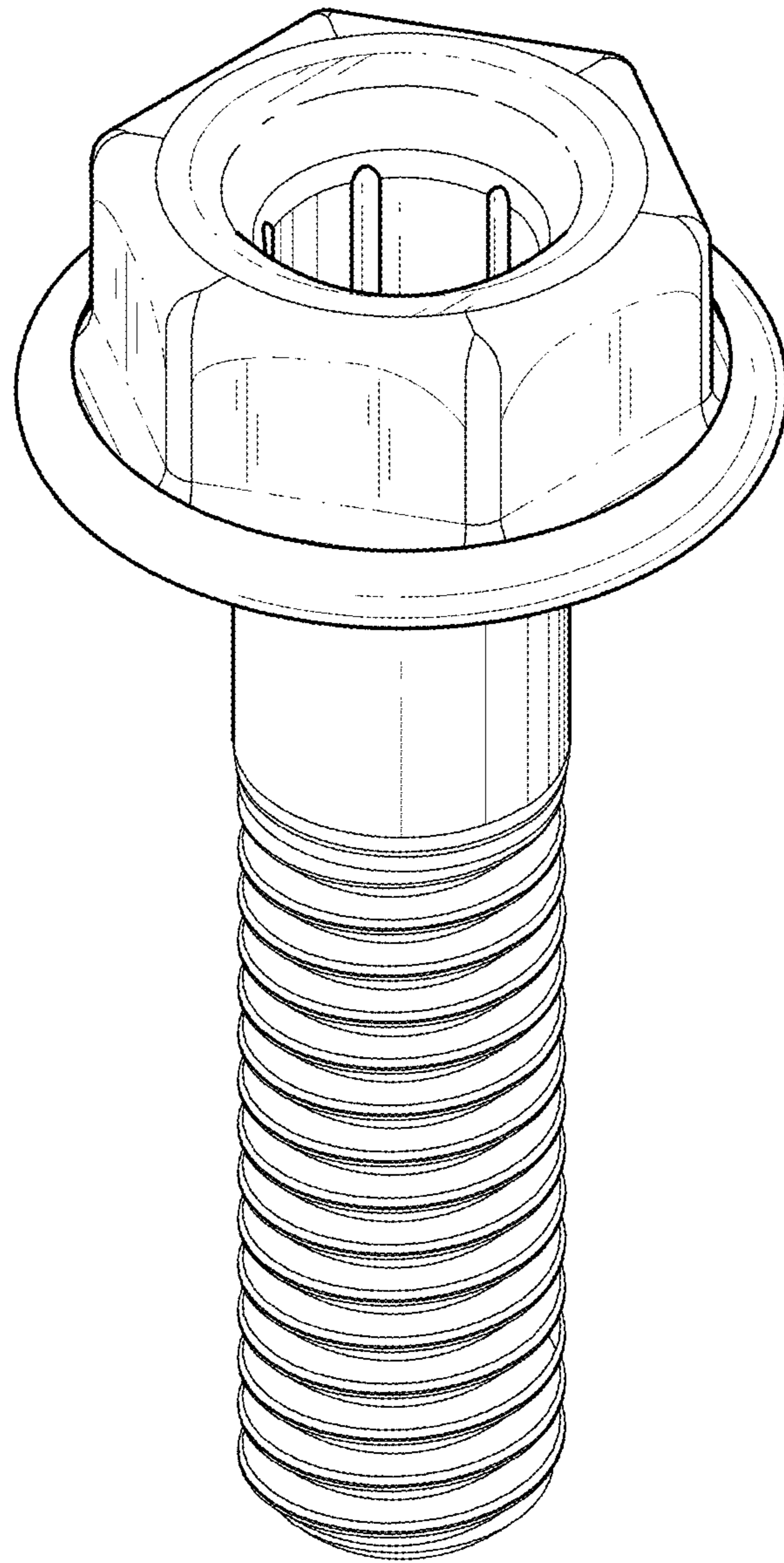


FIG. 1

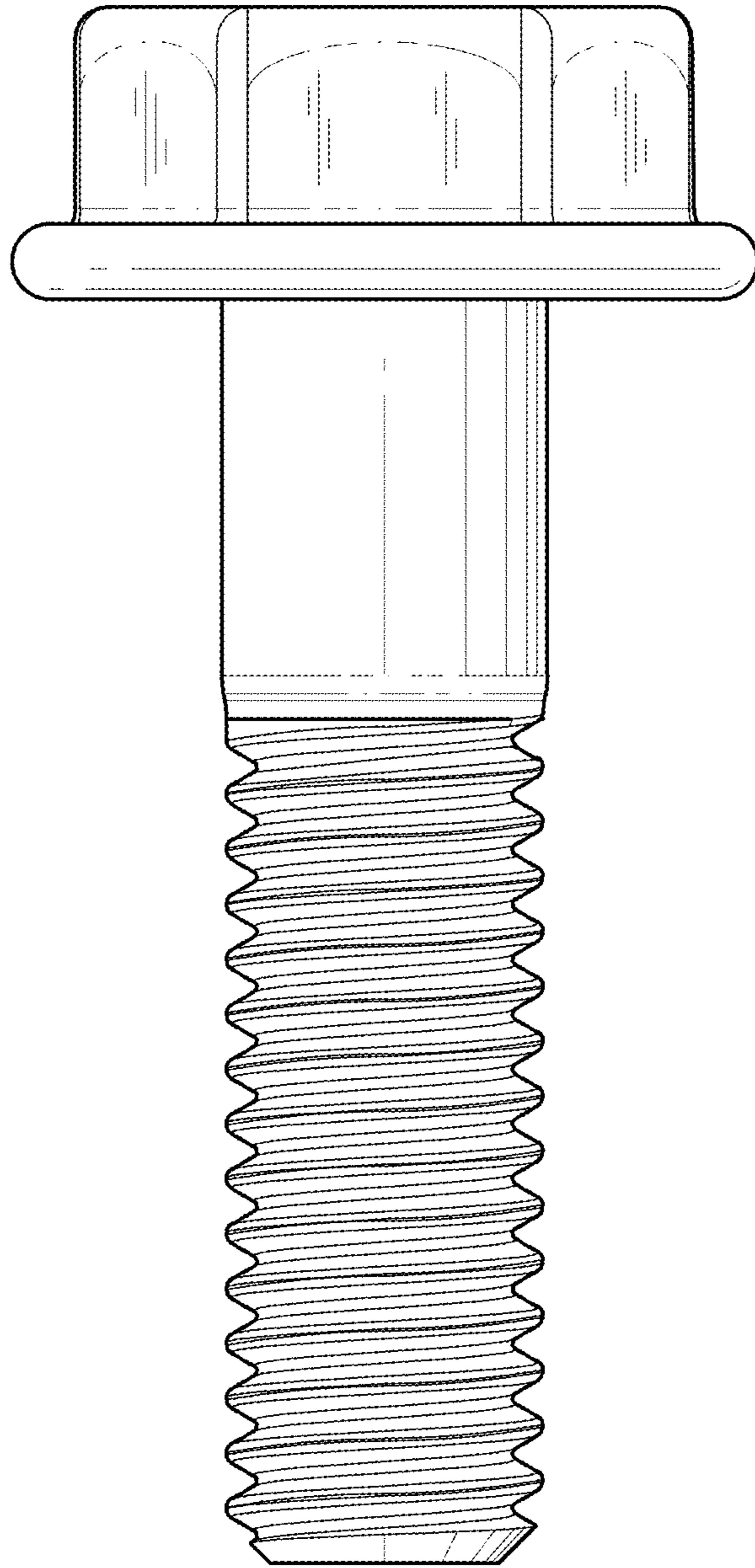


FIG. 2

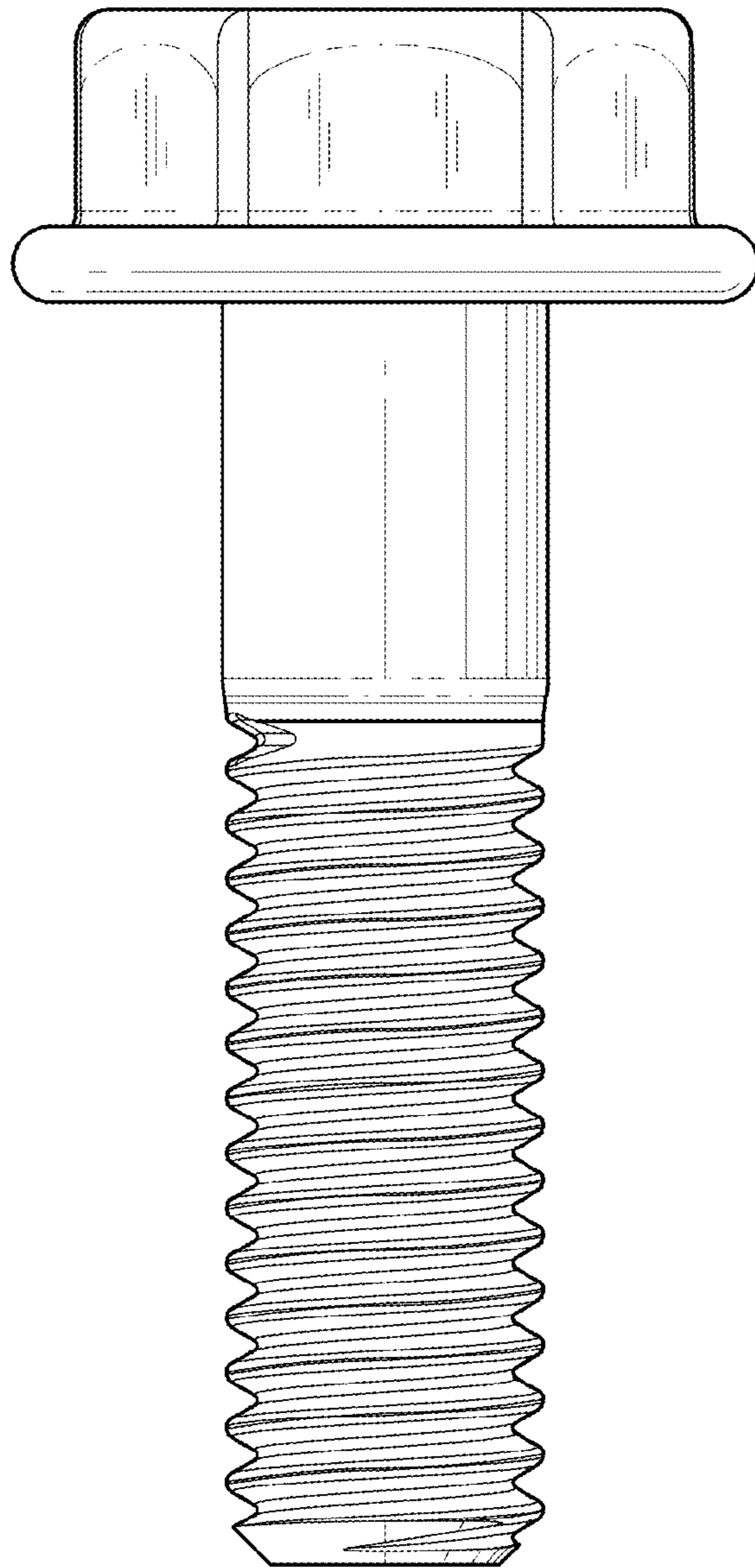


FIG. 3

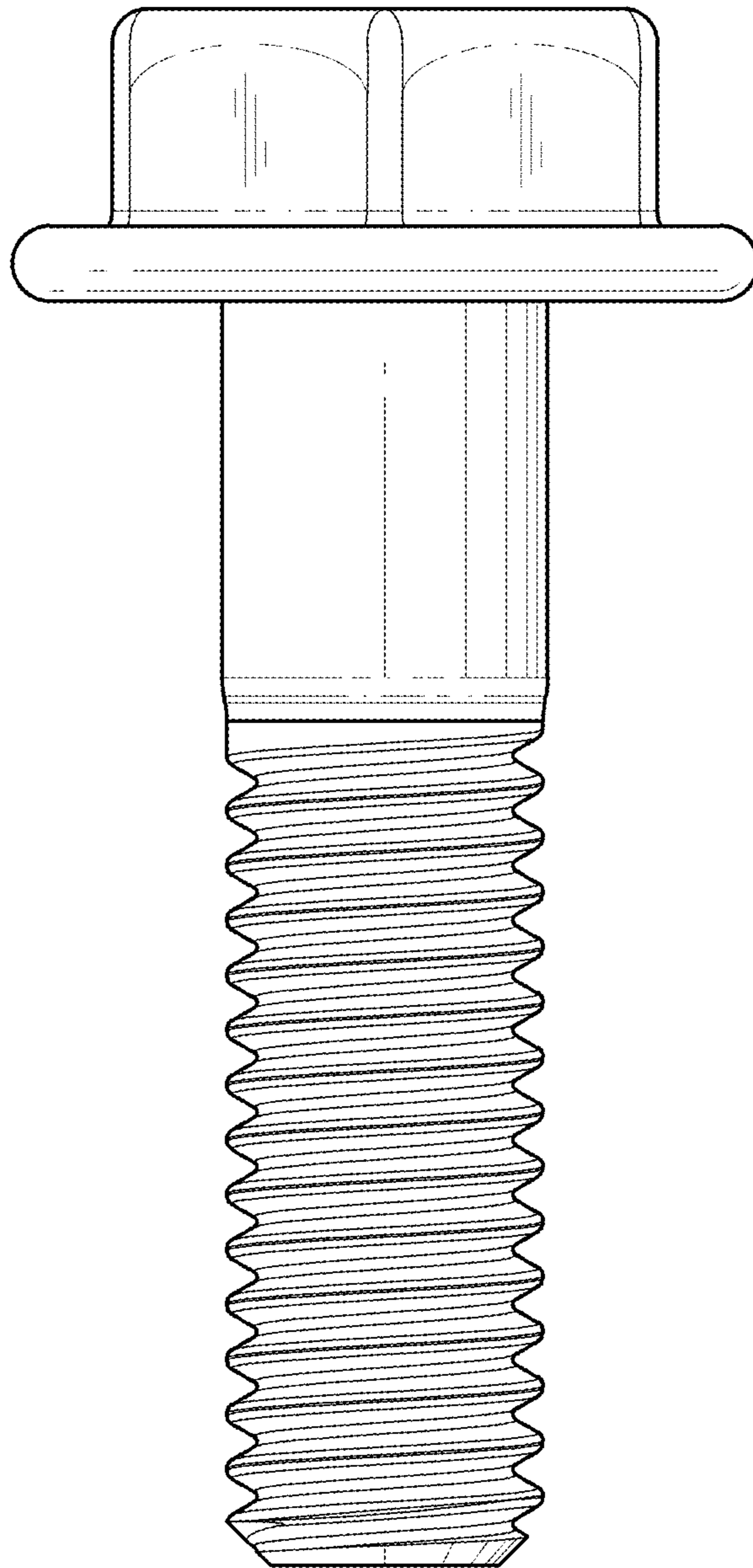


FIG. 4

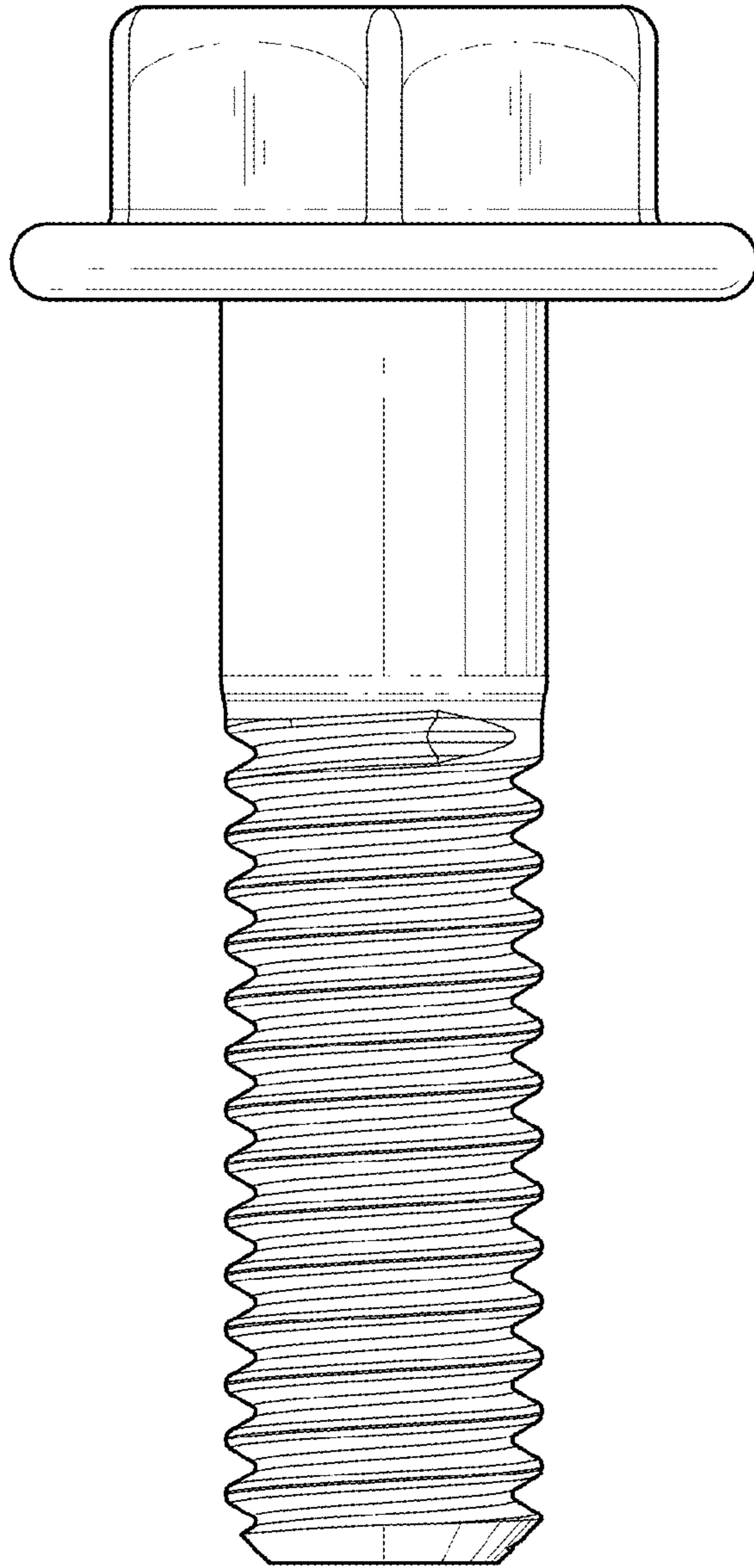


FIG. 5

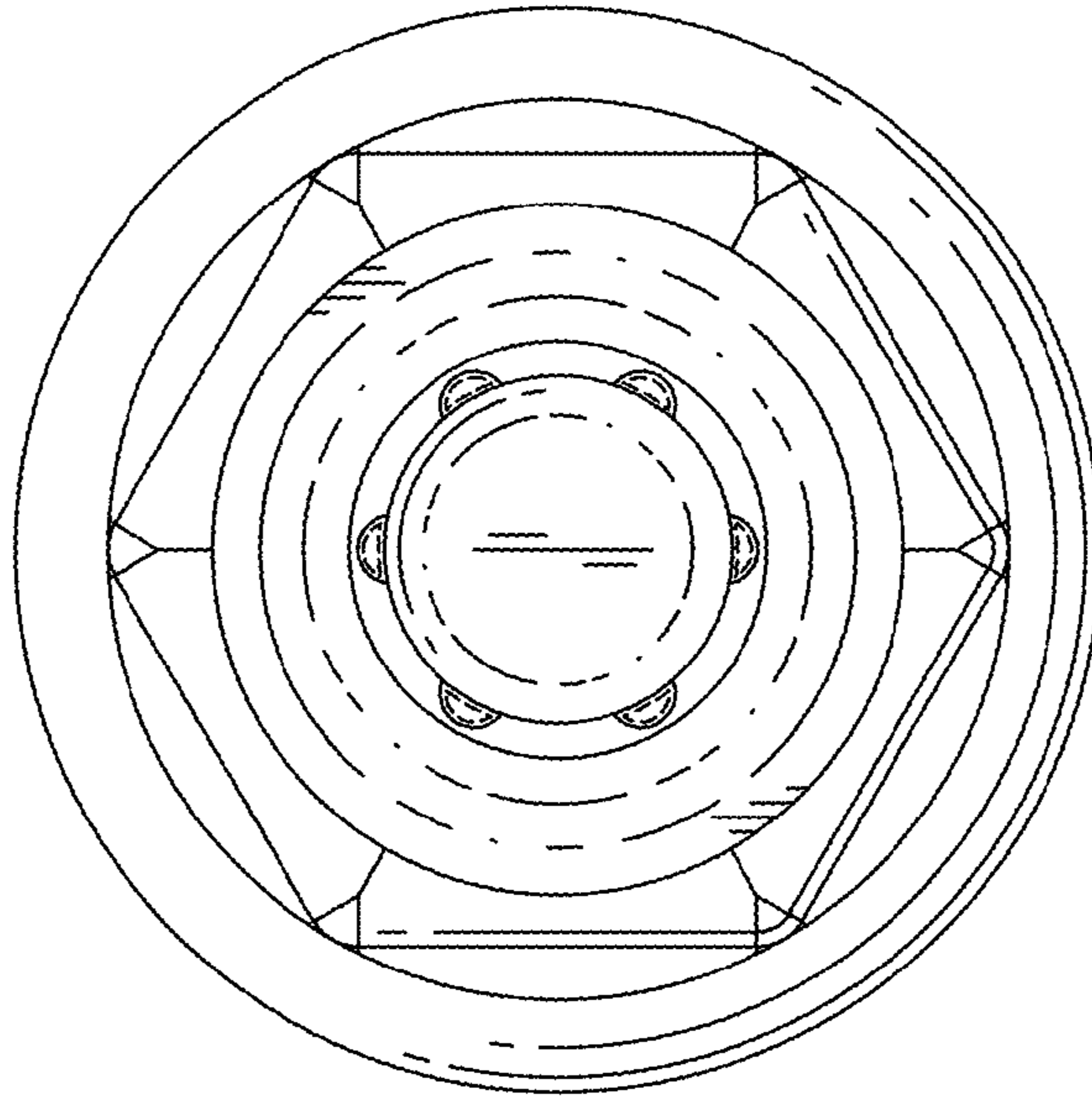


FIG. 6

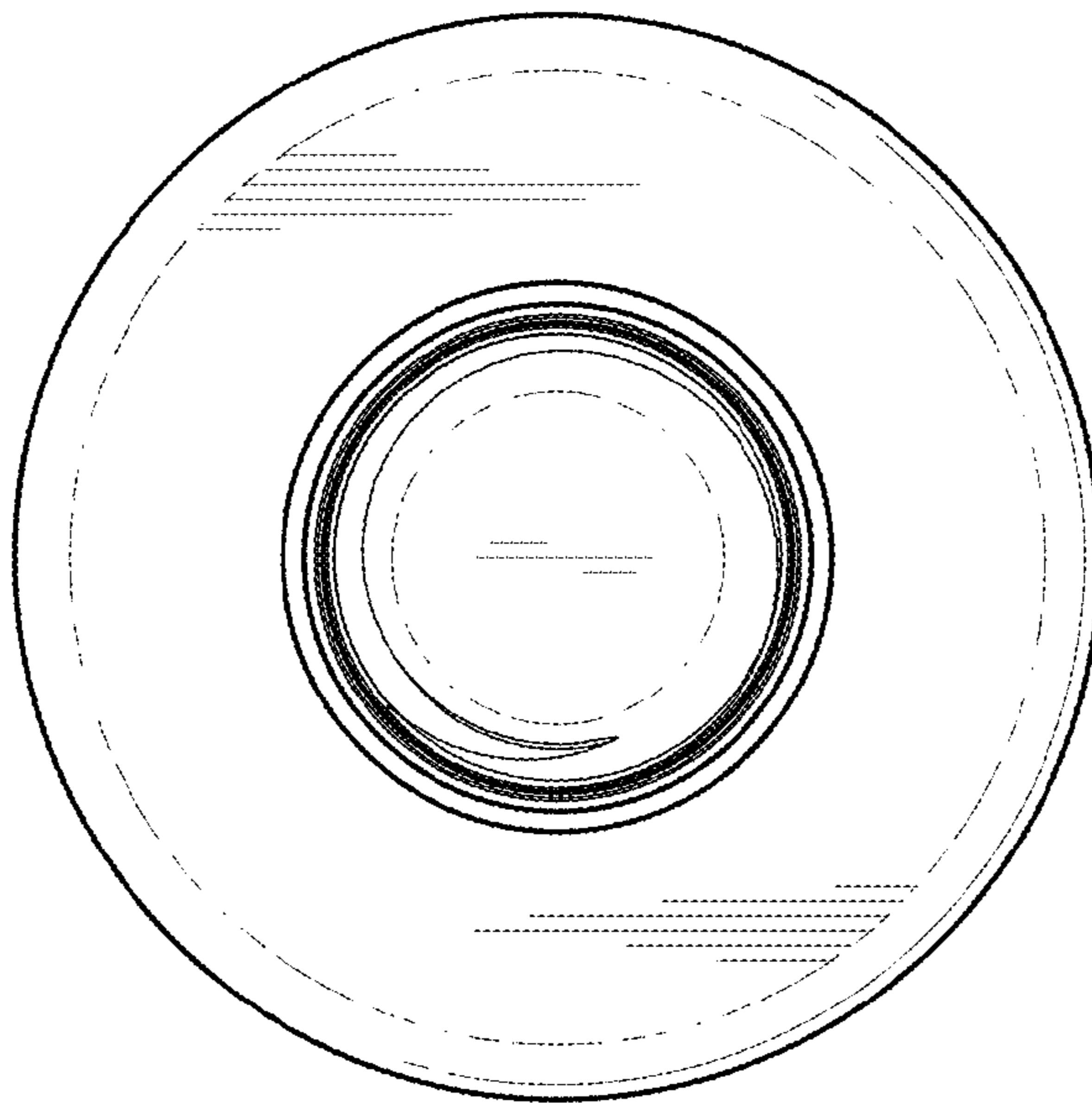


FIG. 7