



US00D764266S

(12) **United States Design Patent**
Keith et al.

(10) **Patent No.:** **US D764,266 S**
(45) **Date of Patent:** **** Aug. 23, 2016**

(54) **COMPOSITE ACTION TIE**
(71) Applicant: **HK MARKETING LC**, American Fork,
UT (US)

4,545,163 A 10/1985 Asselin
D286,180 S * 10/1986 Korthoff 606/219
4,754,758 A * 7/1988 Li A61B 17/04
606/213
D298,916 S * 12/1988 Beatty D8/390

(Continued)

(72) Inventors: **David O. Keith**, American Fork, UT
(US); **Jordan O. Keith**, Saratoga
Springs, UT (US)

FOREIGN PATENT DOCUMENTS

(73) Assignee: **HK MARKETING LC**, American Fork,
UT (US)

CA 2392892 1/2003
CN 203891249 10/2014

(Continued)

(**) Term: **15 Years**

OTHER PUBLICATIONS

(21) Appl. No.: **29/531,564**

U.S. Appl. No. 14/841,260, filed Aug. 31, 2015, Keith et al.

(Continued)

(22) Filed: **Jun. 26, 2015**

(51) **LOC (10) Cl.** **08-08**

Primary Examiner — Sheryl Lane

(52) **U.S. Cl.**

Assistant Examiner — Ieisha Price

USPC **D8/384**; D8/389; D25/199

(74) *Attorney, Agent, or Firm* — Workman Nydegger

(58) **Field of Classification Search**

(57) **CLAIM**

USPC D8/1, 354, 349, 382, 384, 385, 499,
D8/388, 389, 390; D24/145; D25/199

The ornamental design for a composite action tie, as shown
and described.

CPC B28B 19/003; B28B 23/005; E04B 1/41;
E04C 2002/046; E04C 2/2885; E04C 2/044;

DESCRIPTION

E04C 2/46; E04C 2/288; E04C 5/168; E04C
5/20; E04C 2002/047; Y10S 411/921; F27D
1/141; F27D 1/142; F27D 1/144

See application file for complete search history.

FIG. 1 is a perspective view of a composite action tie.
FIG. 2 is a front view of the composite action tie of FIG. 1.
FIG. 3 is a rear view of the composite action tie of FIG. 1.
FIG. 4 is a top view of the composite action tie of FIG. 1.
FIG. 5 is a bottom view of the composite action tie of FIG. 1.
FIG. 6 is a first side view of the composite action tie of FIG.
1; and,
FIG. 7 is a second side view of the composite action tie of
FIG. 1.

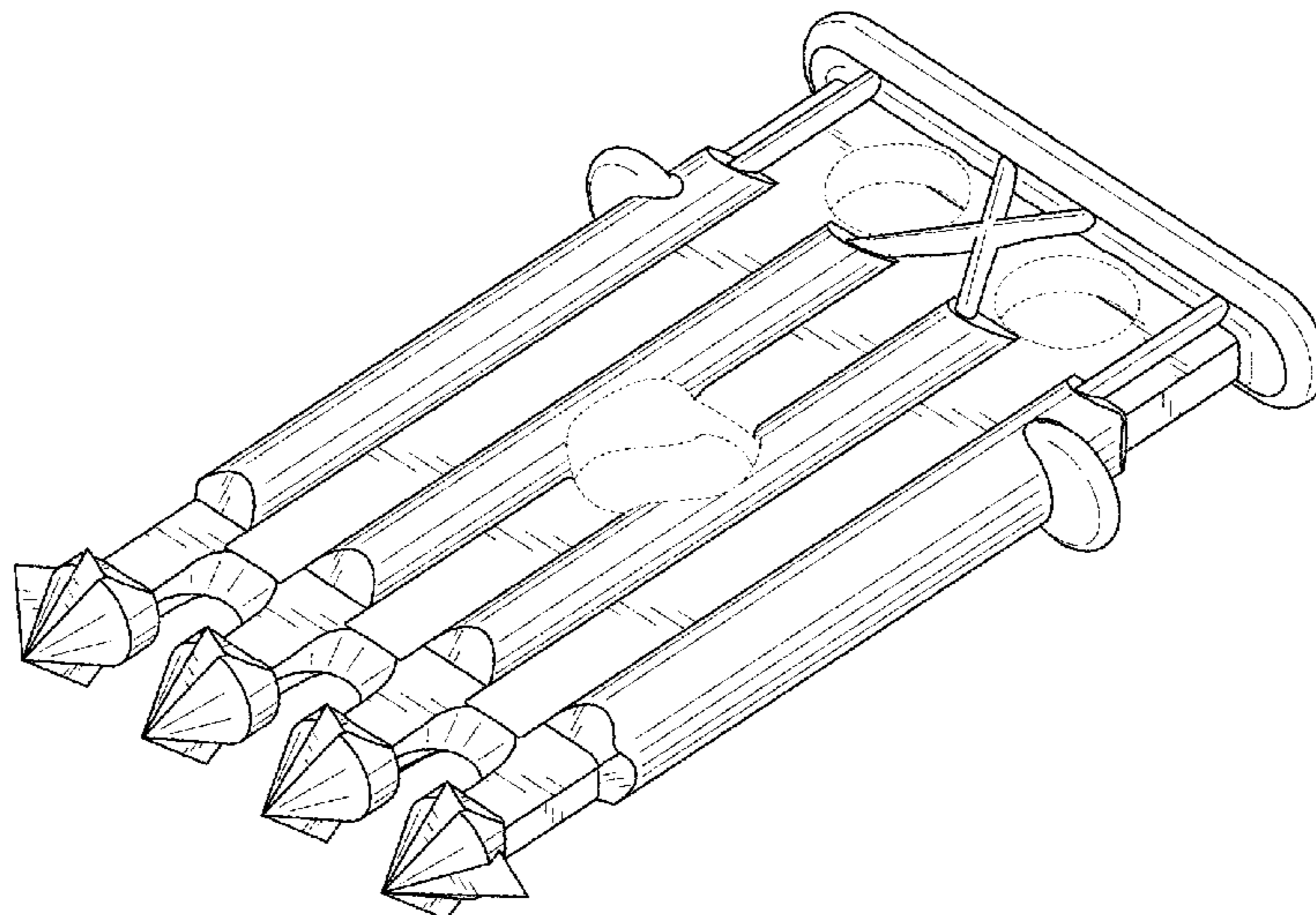
The broken lines in the drawings illustrate portions of the
composite action tie and form no part of the claimed design.

(56) **References Cited**

U.S. PATENT DOCUMENTS

1,511,711 A * 10/1924 Atwell F16B 15/02
411/444
1,876,683 A * 9/1932 Johnson E04B 1/49
411/463
2,645,929 A 12/1948 Jones
4,018,023 A 4/1977 Anderson
4,393,635 A 7/1983 Long

1 Claim, 3 Drawing Sheets



(56)

References Cited

U.S. PATENT DOCUMENTS

4,829,733 A 5/1989 Long
 4,846,655 A 7/1989 Gulley
 4,994,073 A * 2/1991 Green A61B 17/064
 411/457
 5,223,675 A * 6/1993 Taft H02G 3/26
 174/159
 D357,855 S 5/1995 Keith et al.
 5,415,507 A 5/1995 Janusz et al.
 5,433,558 A 7/1995 Gray
 5,509,636 A * 4/1996 Cotugno E04C 5/167
 24/336
 5,519,973 A 5/1996 Keith et al.
 5,570,983 A 11/1996 Hollander
 5,606,832 A 3/1997 Keith et al.
 5,673,525 A 10/1997 Keith et al.
 5,692,356 A 12/1997 Baxter
 5,809,723 A 9/1998 Keith et al.
 5,830,399 A 11/1998 Keith et al.
 5,996,297 A 12/1999 Keith et al.
 6,112,491 A 9/2000 Keith et al.
 6,116,836 A 9/2000 Long
 6,138,981 A 10/2000 Keith et al.
 6,511,252 B1 1/2003 Andros
 D484,032 S * 12/2003 Del Re D8/390
 6,854,229 B2 2/2005 Keith et al.
 6,895,720 B2 5/2005 Keith
 7,266,931 B2 9/2007 Long
 8,109,706 B2 2/2012 Richards
 8,365,501 B2 * 2/2013 Long, Sr. E04C 2/044
 52/309.16
 8,745,943 B2 6/2014 Ciuperca
 8,863,469 B2 10/2014 Curtis et al.
 8,910,445 B2 12/2014 Hohmann
 D728,044 S * 4/2015 Boatwright D21/694

D744,646 S * 12/2015 Nering D24/145
 2004/0055247 A1 3/2004 Keith
 2004/0118067 A1 6/2004 Keith
 2004/0136803 A1 7/2004 Grosch
 2004/0237438 A1 12/2004 Keith et al.
 2005/0016095 A1 * 1/2005 Long E04C 2/044
 52/309.11
 2006/0032166 A1 * 2/2006 Devalapura B32B 3/30
 52/309.15
 2009/0185880 A1 7/2009 Gong et al.
 2012/0266560 A1 10/2012 Panasik et al.
 2013/0074433 A1 3/2013 Ciuperca
 2013/0153628 A1 * 6/2013 Euteneuer A61B 17/0642
 227/175.1
 2013/0218177 A1 * 8/2013 Miksza A61B 17/08
 606/151
 2014/0260034 A1 9/2014 Ciuperca

FOREIGN PATENT DOCUMENTS

JP 2004225265 8/2004
 RU 131396 8/2013

OTHER PUBLICATIONS

Questions and Answers about System SC for Structurally Composite Concrete Sandwich Walls. Boone: Thermomass System SC, 2012. Print.
 Thermomass. "Insulated Cast-in-Place Construction Using Thermomass System CIP." Online video clip. YouTube. YouTube, Mar. 20, 2012. Web. Accessed Jan. 22, 2016. <<https://www.youtube.com/watch?v=VoHzDS9Yuwc>>.
 Thermomass. Thermomass System SC, n.d. Web. Accessed Jan. 22, 2016. <<http://www.thermomass.com/>>.
 U.S. Appl. No. 14/841,260, filed Jan. 15, 2016, Office Action.

* cited by examiner

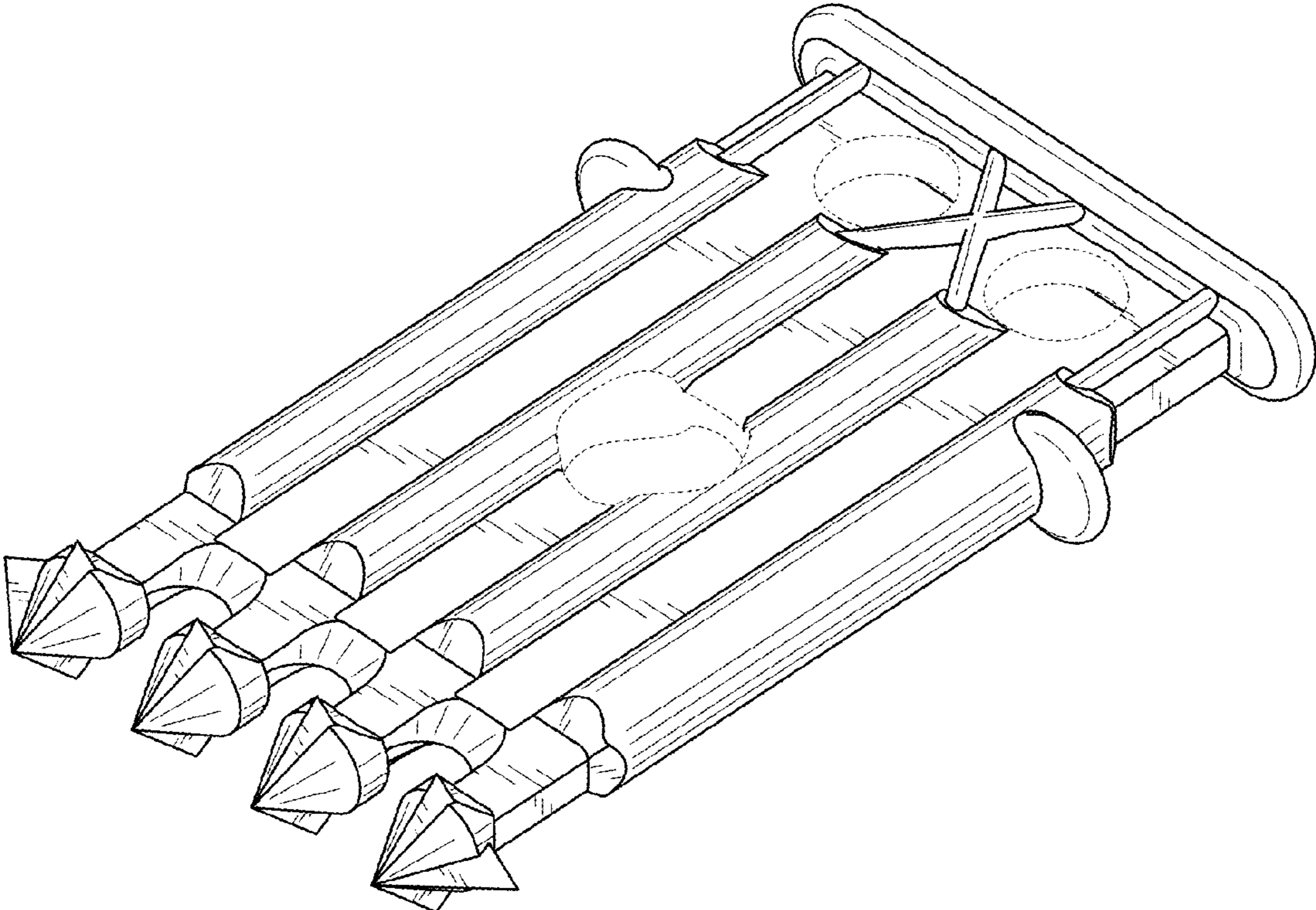


FIG. 1

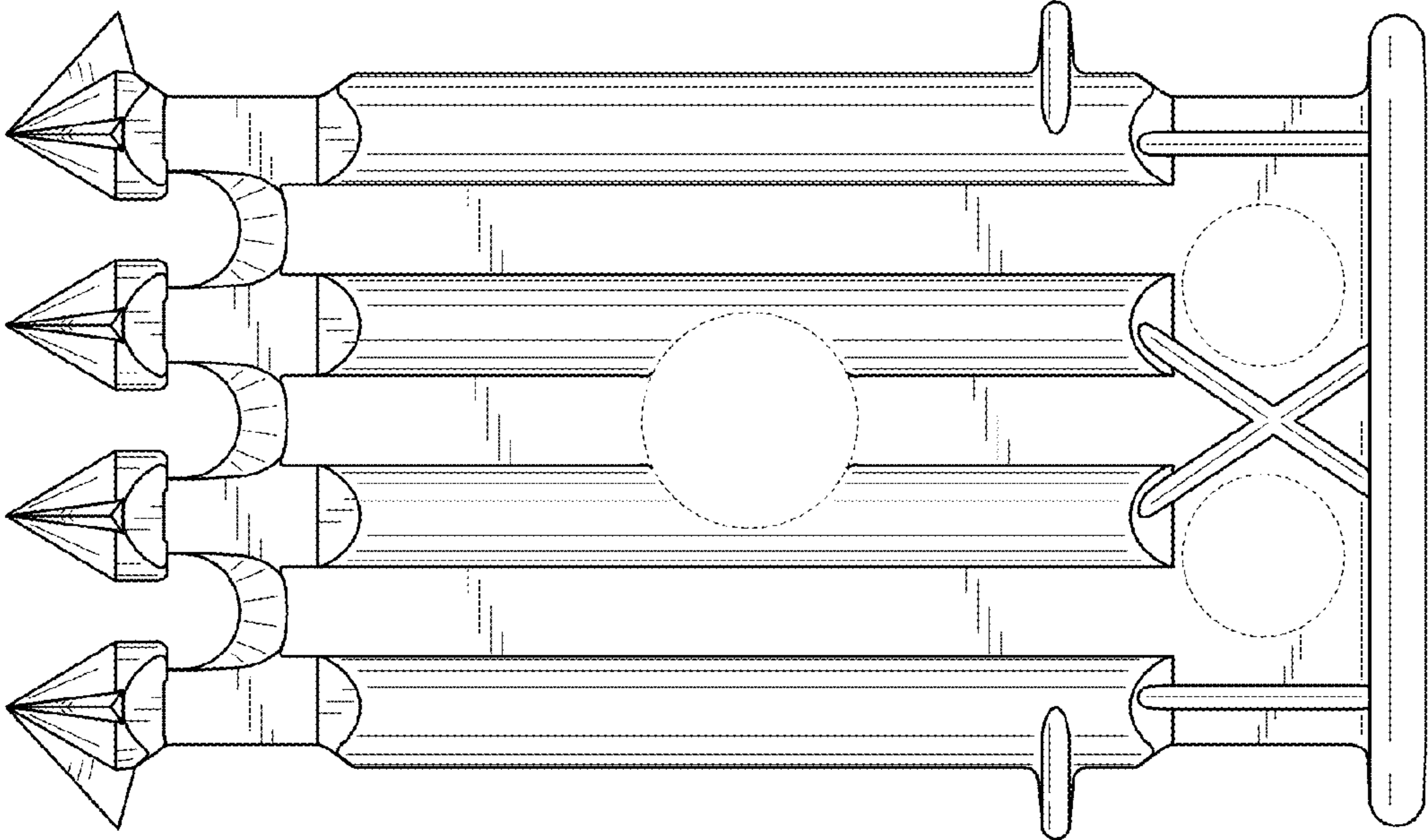


FIG. 2

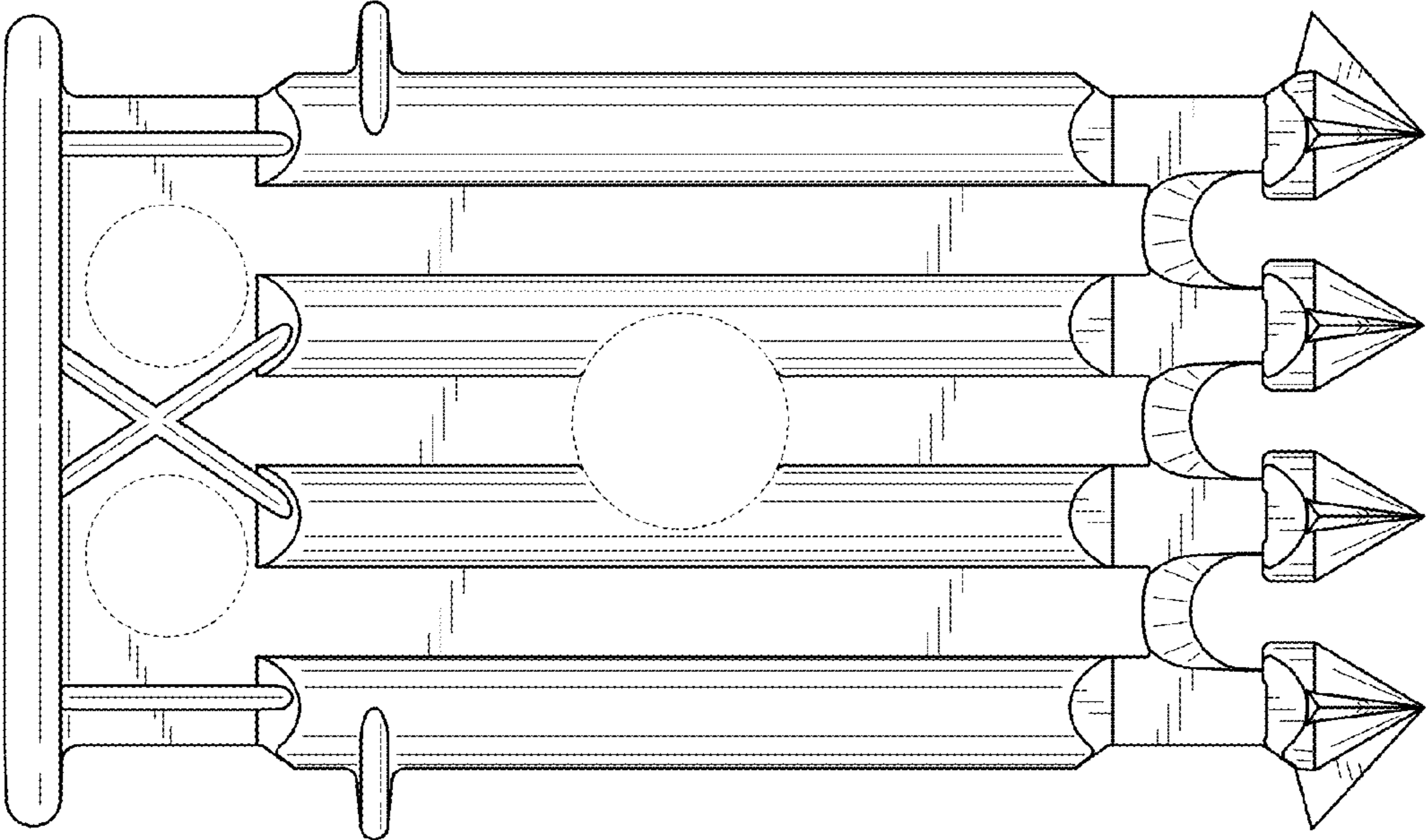


FIG. 3

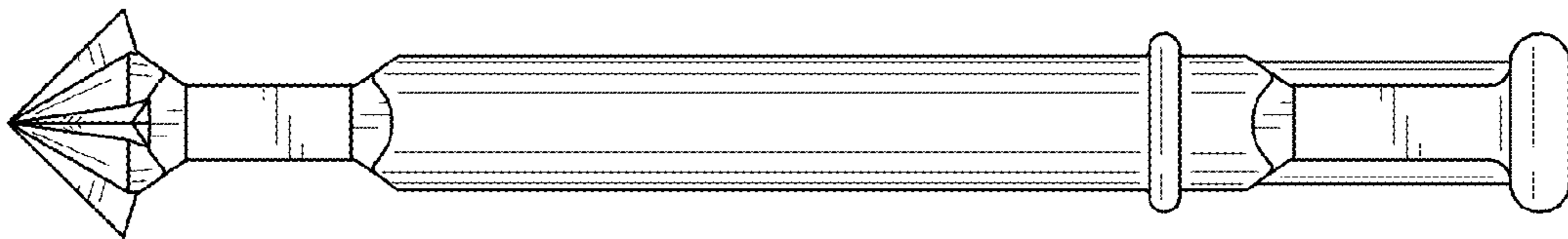


FIG. 4

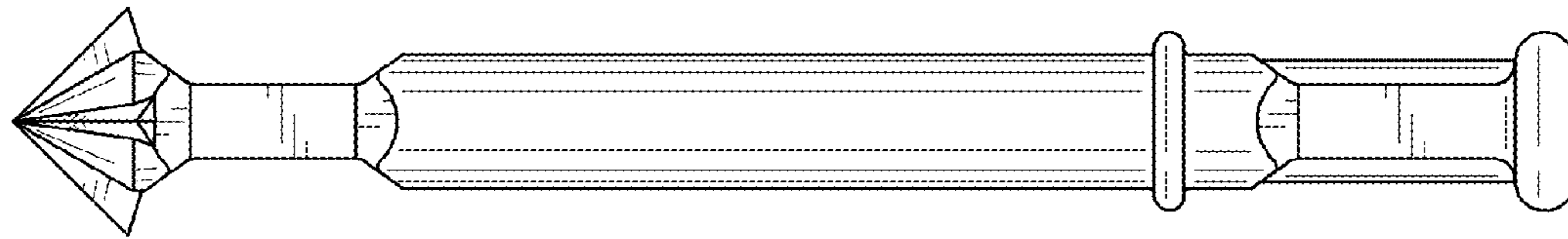


FIG. 5

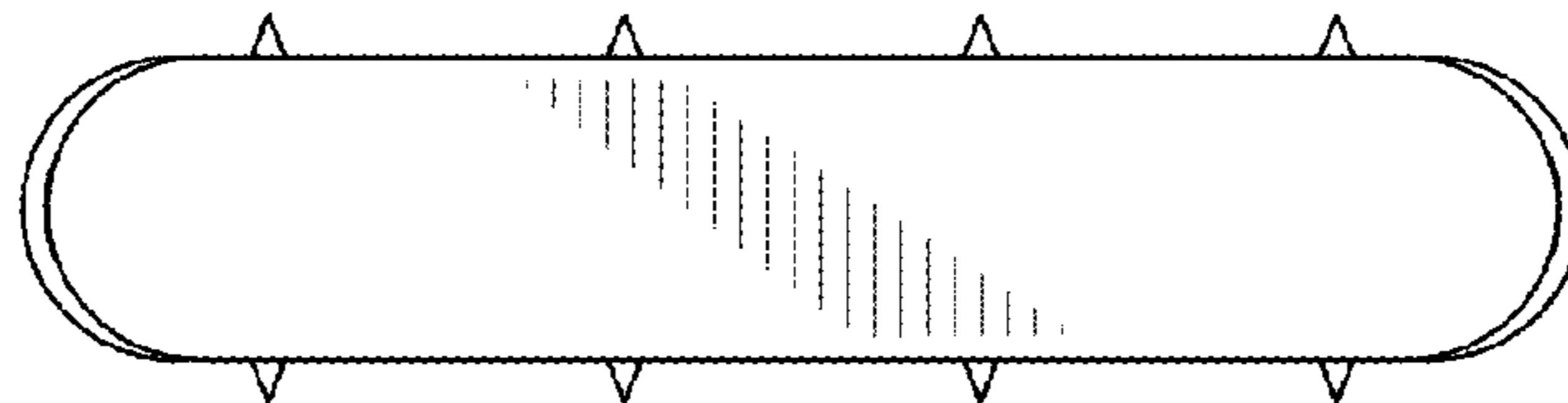


FIG. 6

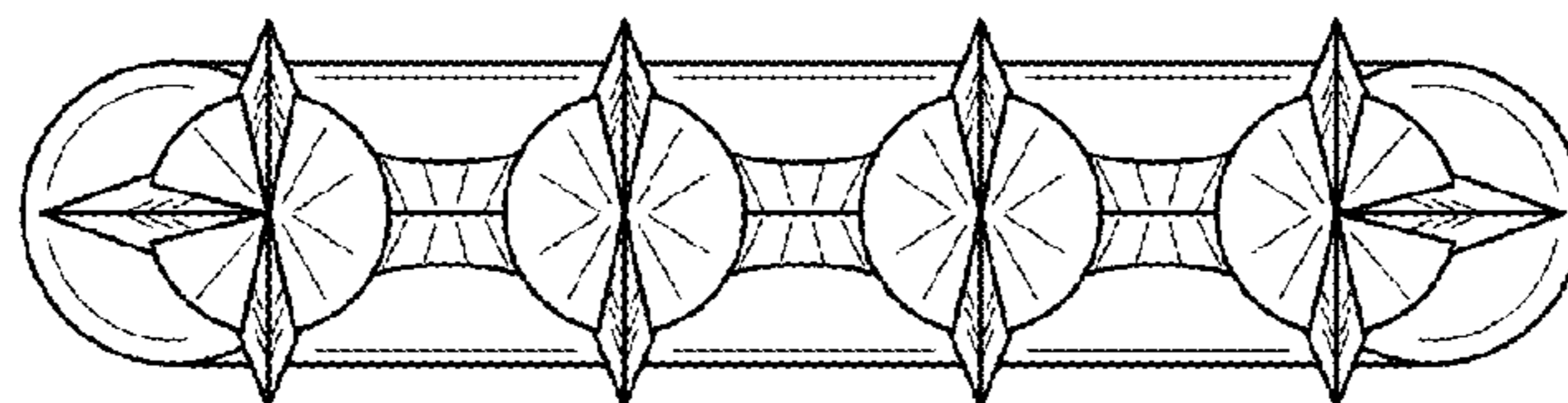


FIG. 7