



US00D764264S

(12) **United States Design Patent**  
**Goodman et al.**

(10) **Patent No.:** **US D764,264 S**

(45) **Date of Patent:** **\*\* Aug. 23, 2016**

(54) **TRIPLE HOOK**

(71) Applicant: **Spectrum Diversified Designs, Inc.**,  
Streestboro, OH (US)

(72) Inventors: **Sheldon H. Goodman**, Solon, OH (US);  
**Phaysouk Xayoiphonh**, Akron, OH  
(US); **Jennifer Case**, Middleburg Hts.,  
OH (US)

(73) Assignee: **Spectrum Diversified Designs, LLC**,  
Streetsboro, OH (US)

(\*\*) Term: **14 Years**

(21) Appl. No.: **29/507,590**

(22) Filed: **Oct. 29, 2014**

(51) **LOC (10) Cl.** ..... **08-05**

(52) **U.S. Cl.**  
USPC ..... **D8/372**

(58) **Field of Classification Search**  
USPC ..... D8/372  
CPC ..... A47J 47/16; A47G 7/045; A47G 1/20  
See application file for complete search history.

(56) **References Cited**

**U.S. PATENT DOCUMENTS**

D465,998 S \* 11/2002 Goodman ..... D6/566  
D470,394 S \* 2/2003 Harwanko ..... D6/513

D479,796 S \* 9/2003 Snell ..... D8/372  
D702,539 S \* 4/2014 Goodman ..... D8/370  
D707,541 S \* 6/2014 Goodman ..... D8/372  
D708,048 S \* 7/2014 Goodman ..... D8/372  
D708,508 S \* 7/2014 Goodman ..... D8/370  
D712,237 S \* 9/2014 Collins ..... D8/372

\* cited by examiner

*Primary Examiner* — Holly Baynham

(74) *Attorney, Agent, or Firm* — Benesch, Friendlander,  
Coplan & Aronoff LLP

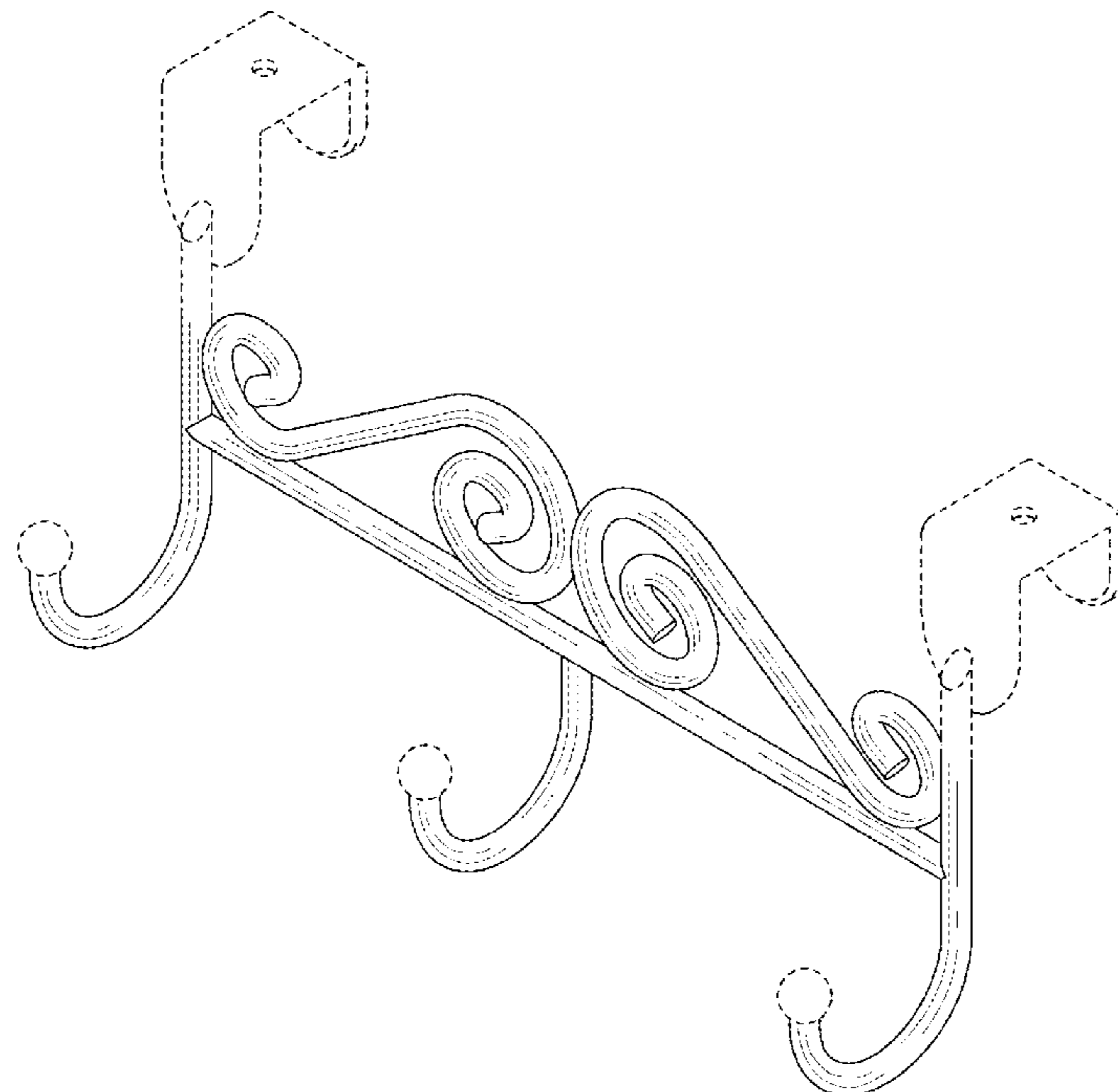
(57) **CLAIM**

What is claimed is the ornamental design for a triple hook, as  
shown and described.

**DESCRIPTION**

FIG. 1 is a perspective view of a triple hook showing a new  
design;  
FIG. 2 is a front view of the triple hook of FIG. 1;  
FIG. 3 is a side view of the triple hook of FIG. 1;  
FIG. 4 is a rear view of the triple hook of FIG. 1;  
FIG. 5 is a top view of the triple hook of FIG. 1; and,  
FIG. 6 is a bottom view of the triple hook of FIG. 1.  
The components of the display shown in broken lines illus-  
trate portions of the triple hook form no part of the claimed  
design.

**1 Claim, 3 Drawing Sheets**



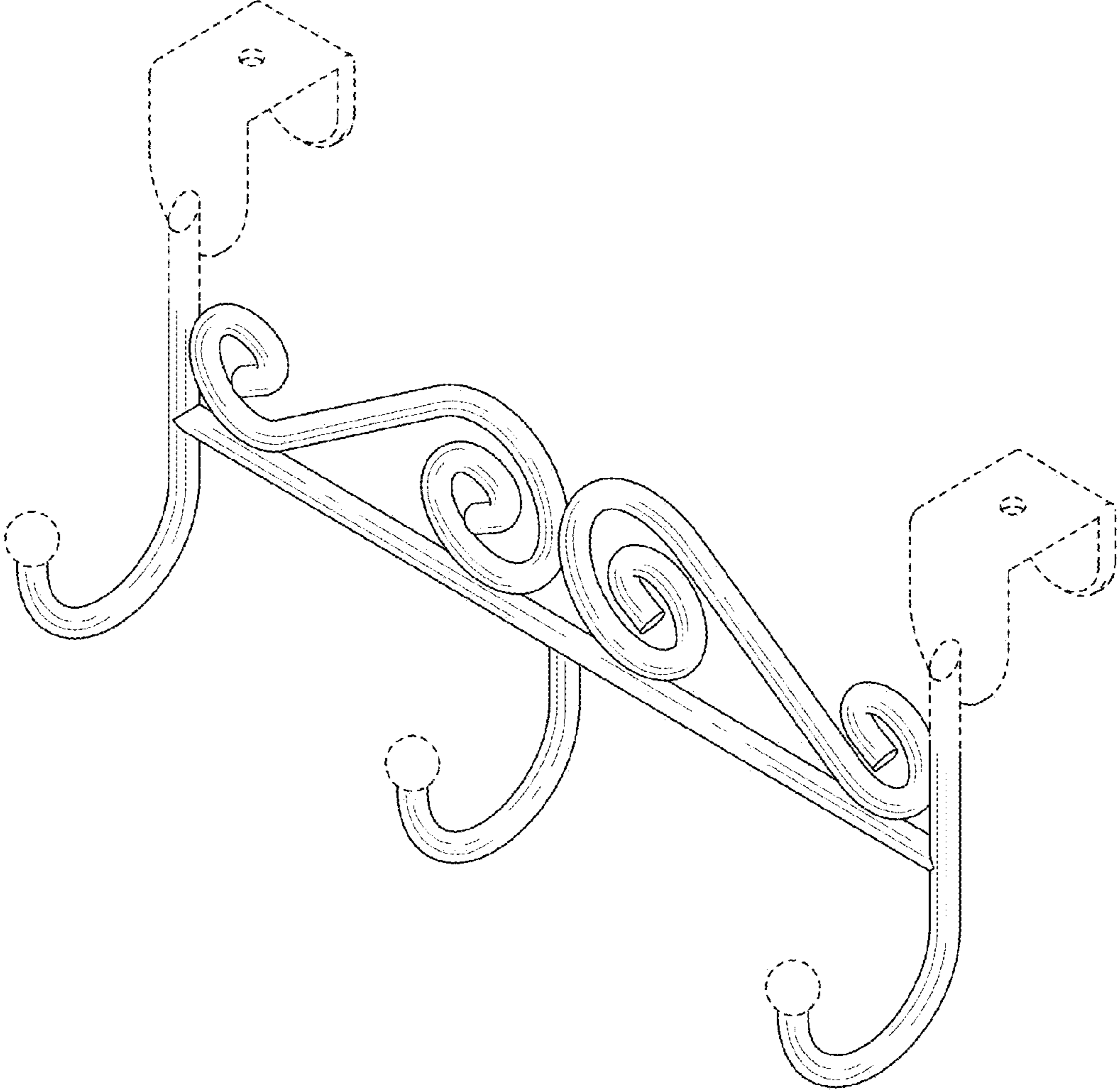


FIG 1

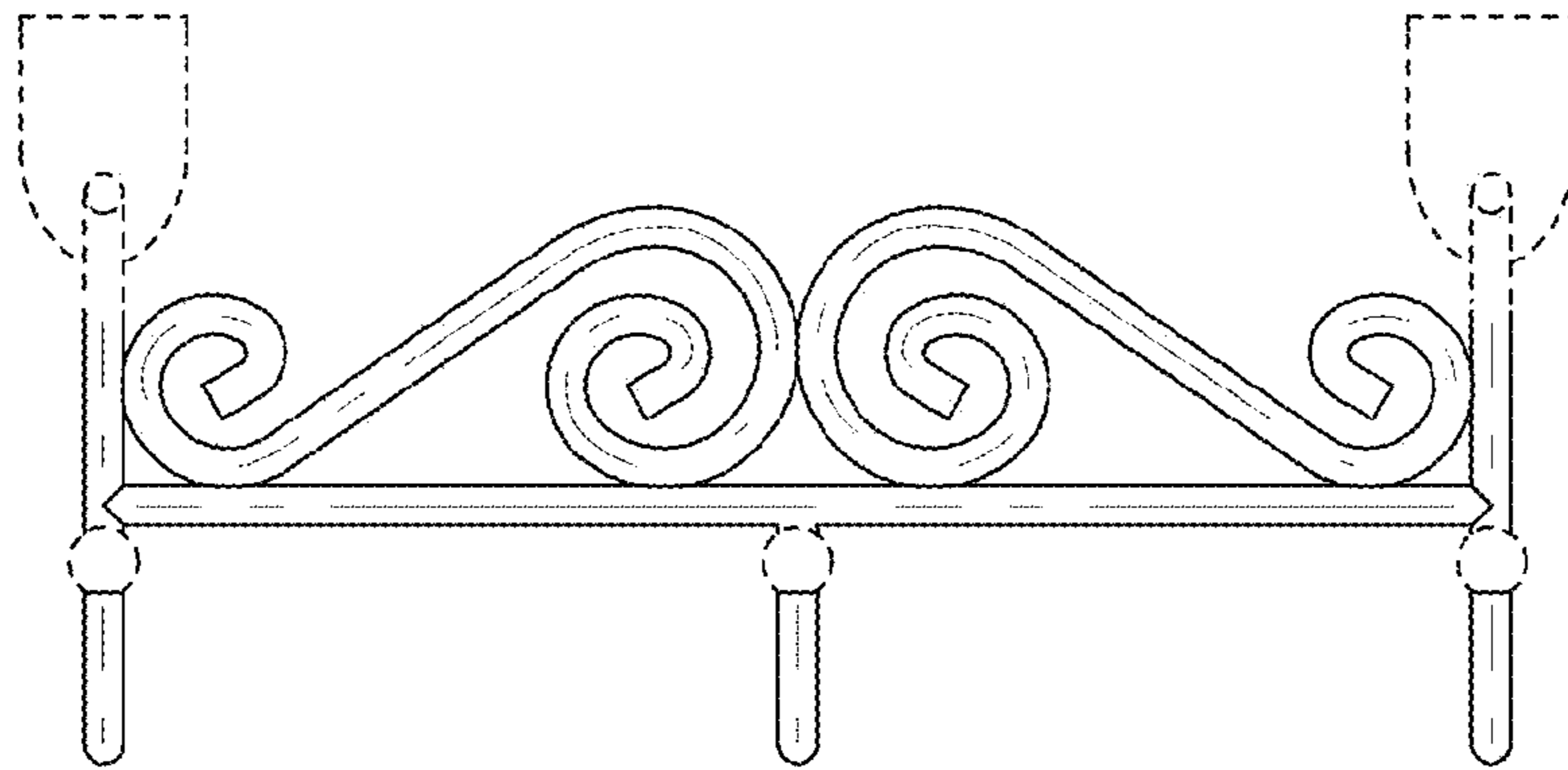


FIG 2

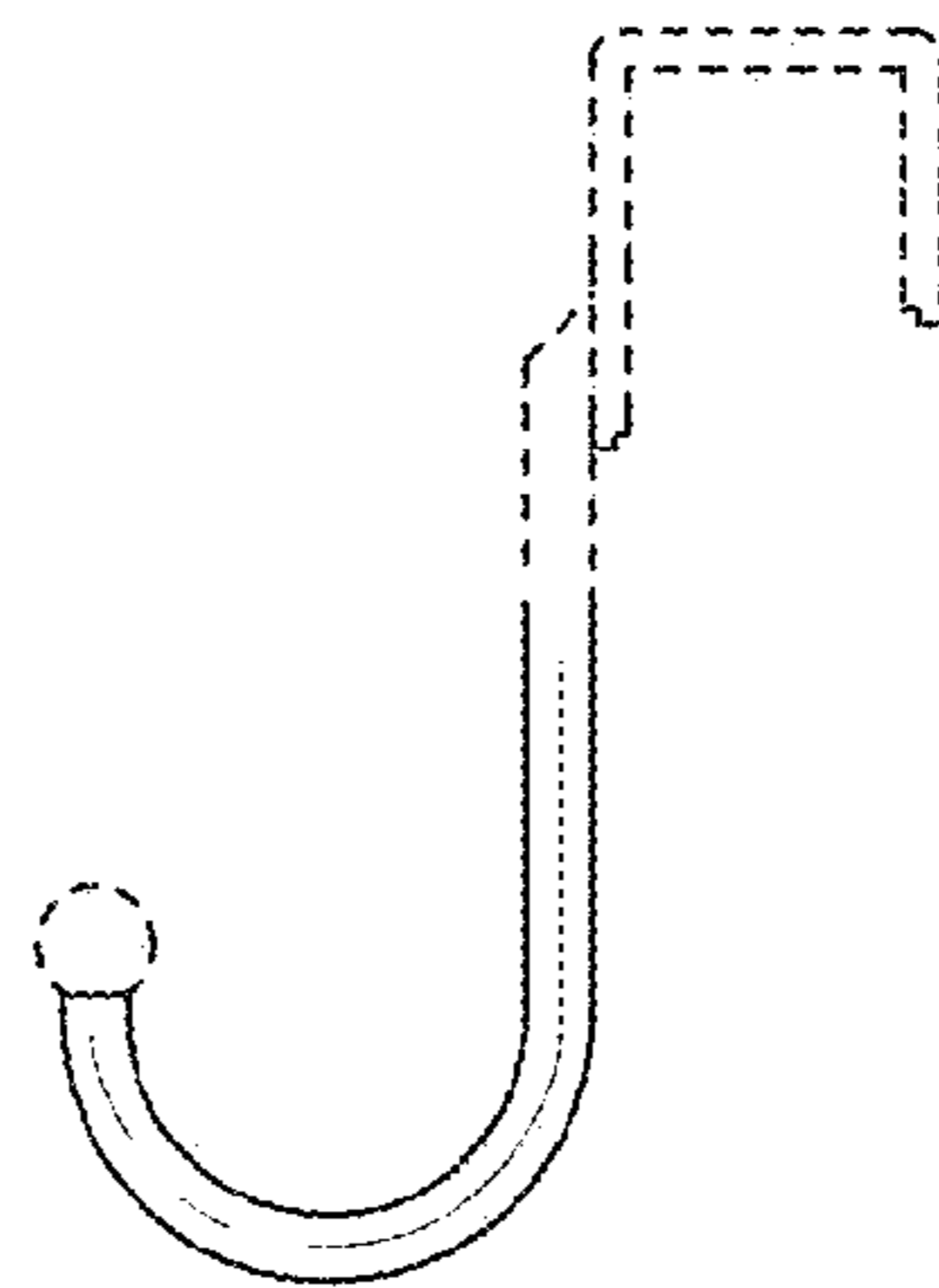


FIG 3

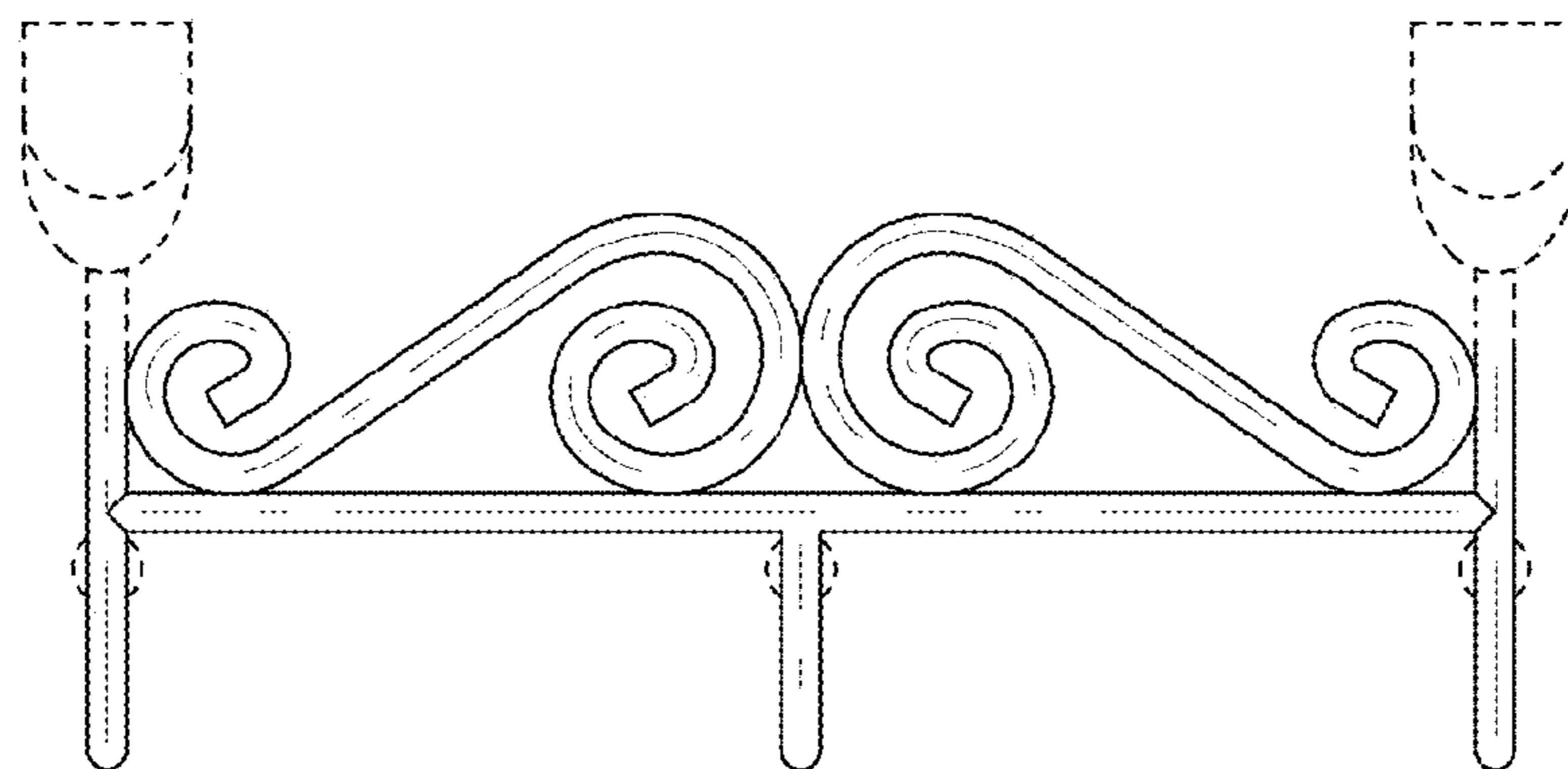


FIG 4

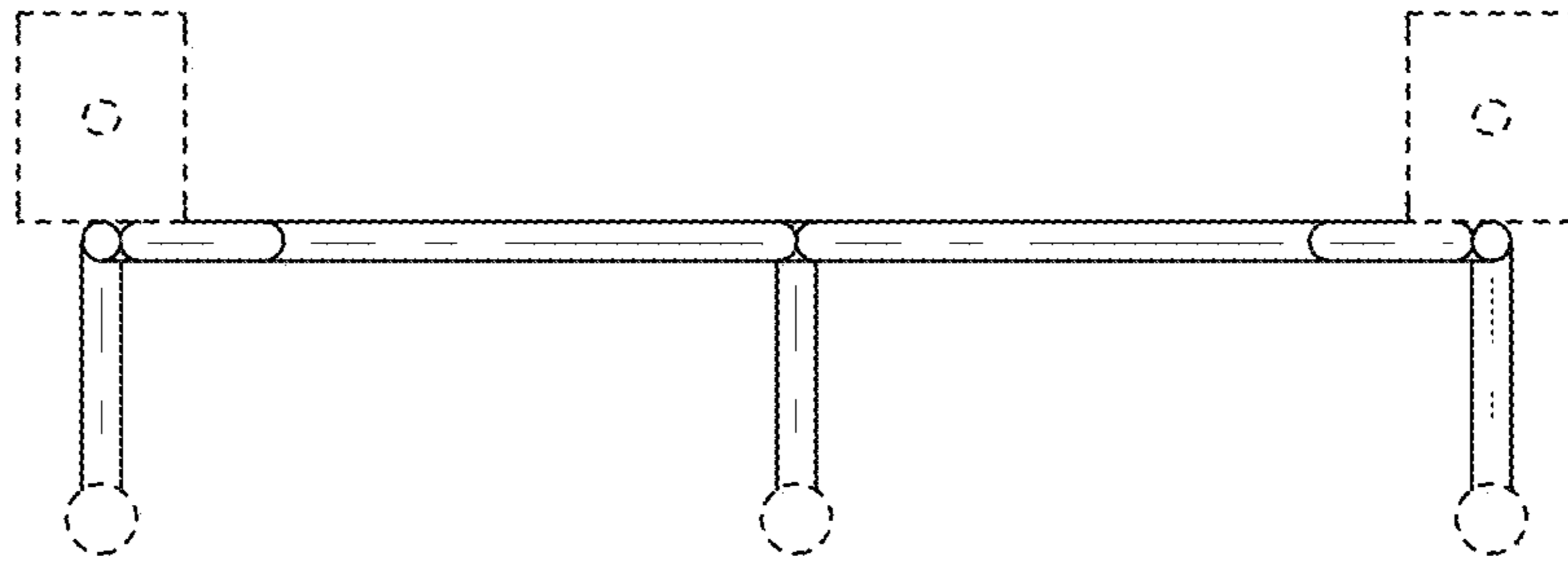


FIG 5

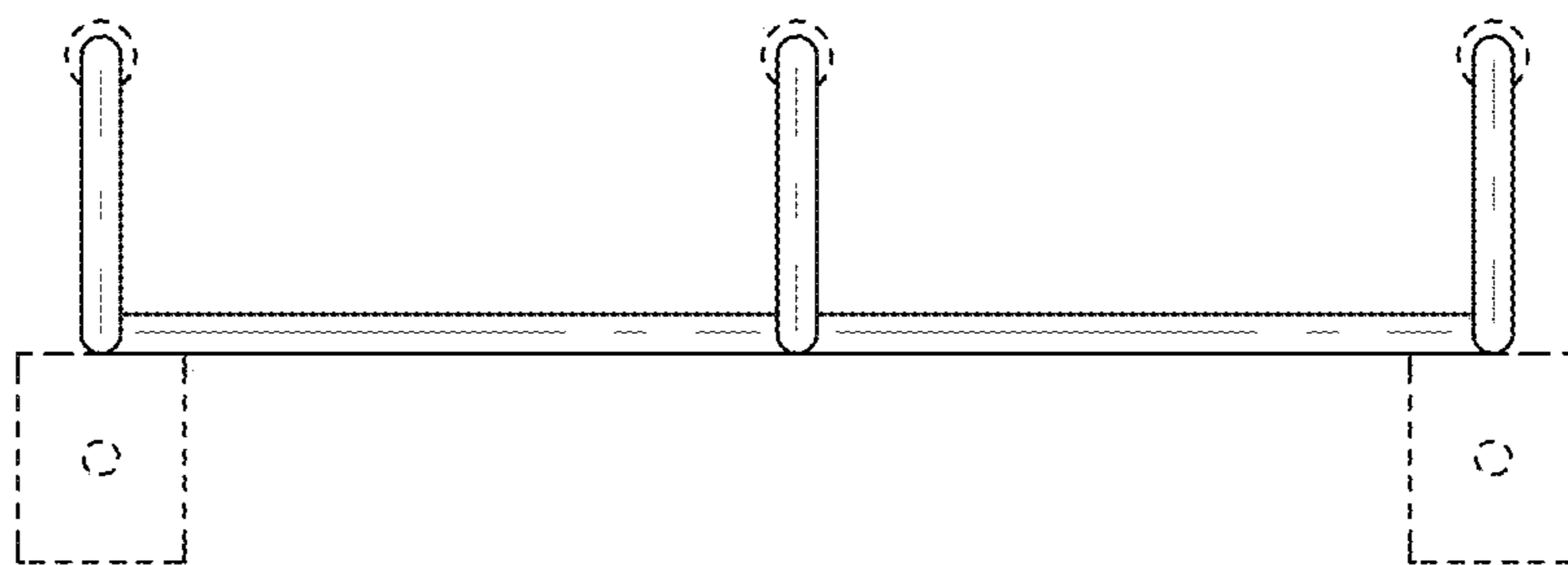


FIG 6