



US00D764262S

(12) **United States Design Patent**
Shargani

(10) **Patent No.:** **US D764,262 S**

(45) **Date of Patent:** **** *Aug. 23, 2016**

(54) **CONNECTOR FOR A CANOPY SYSTEM**

(71) Applicant: **Afshin Shargani**, Los Angeles, CA
(US)

(72) Inventor: **Afshin Shargani**, Los Angeles, CA
(US)

(*) Notice: This patent is subject to a terminal disclaimer.

(**) Term: **14 Years**

(21) Appl. No.: **29/504,534**

(22) Filed: **Oct. 7, 2014**

Related U.S. Application Data

(63) Continuation of application No. 14/448,825, filed on Jul. 31, 2014.

(51) **LOC (10) Cl.** **08-05**

(52) **U.S. Cl.**
USPC **D8/367**

(58) **Field of Classification Search**
USPC D8/367, 354, 349
CPC . E06B 9/262; E06B 2009/2625; A01G 9/22;
E04F 10/02; E04H 15/04
See application file for complete search history.

(56) **References Cited**

U.S. PATENT DOCUMENTS

- 4,683,933 A * 8/1987 Dunbar 160/273.1
- 4,741,375 A * 5/1988 Milford et al. 160/84.06
- 5,265,373 A * 11/1993 Vollebregt 47/17
- D407,298 S * 3/1999 Hemphill D8/367

- D448,276 S * 9/2001 Kelleghan D8/356
- D479,980 S * 9/2003 Utz D8/367
- D505,613 S * 5/2005 Sato D8/367
- D658,975 S * 5/2012 Cordova et al. D8/367
- D682,663 S * 5/2013 Evon D8/367
- D698,628 S * 2/2014 Stanley D8/367
- D715,624 S * 10/2014 Thompson et al. D8/367
- D720,985 S * 1/2015 Veilleux D8/367
- D734,133 S * 7/2015 Spindler et al. D8/367

* cited by examiner

Primary Examiner — Cynthia Underwood
(74) *Attorney, Agent, or Firm* — Payam Moradian

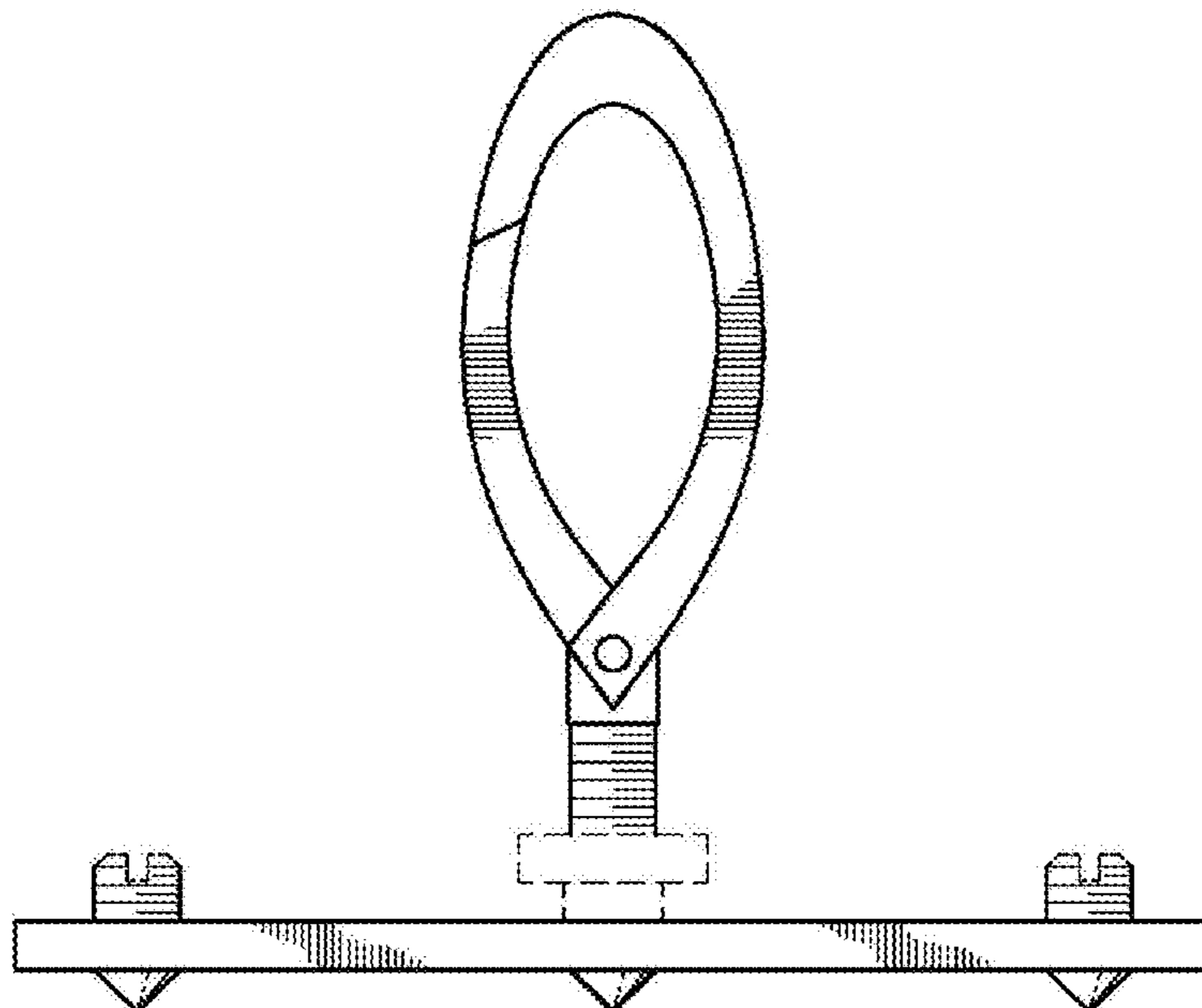
(57) **CLAIM**

The ornamental design for a connector for a canopy system, as shown and described.

DESCRIPTION

FIG. 1 is a front view of a connector used for connecting a canopy piece to a wire.
 FIG. 2 is a back view of the connector used for connecting a canopy piece to a wire.
 FIG. 3 is a right side view of the connector used for connecting a canopy piece to a wire.
 FIG. 4 is a left side view of the connector used for connecting a canopy piece to a wire.
 FIG. 5 is a top view of the connector used for connecting a canopy piece to a wire; and,
 FIG. 6 is a bottom view of the connector used for connecting a canopy piece to a wire.
 The broken lines are included for environmental purposes only and form no part of the claim.

1 Claim, 3 Drawing Sheets



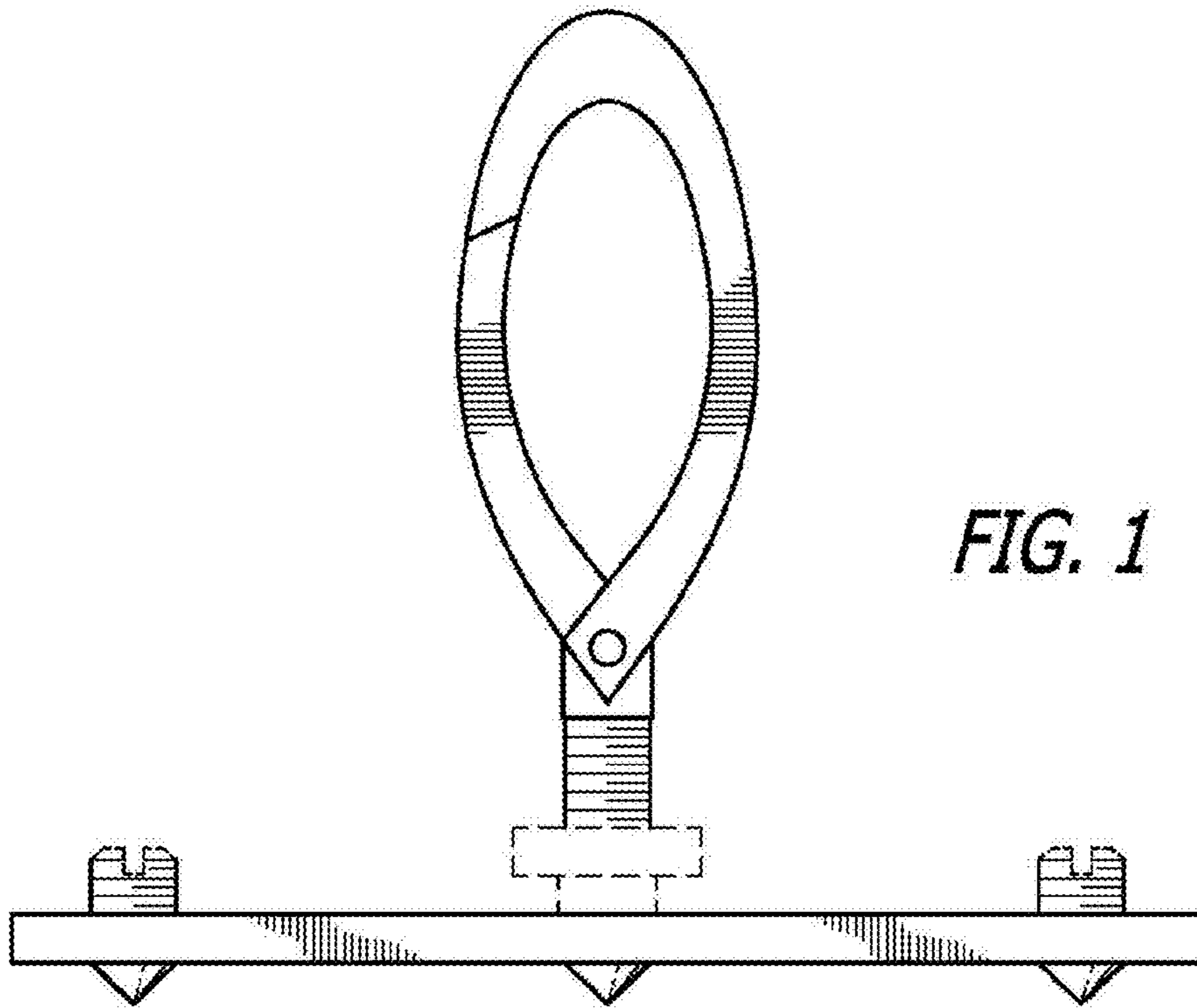


FIG. 1

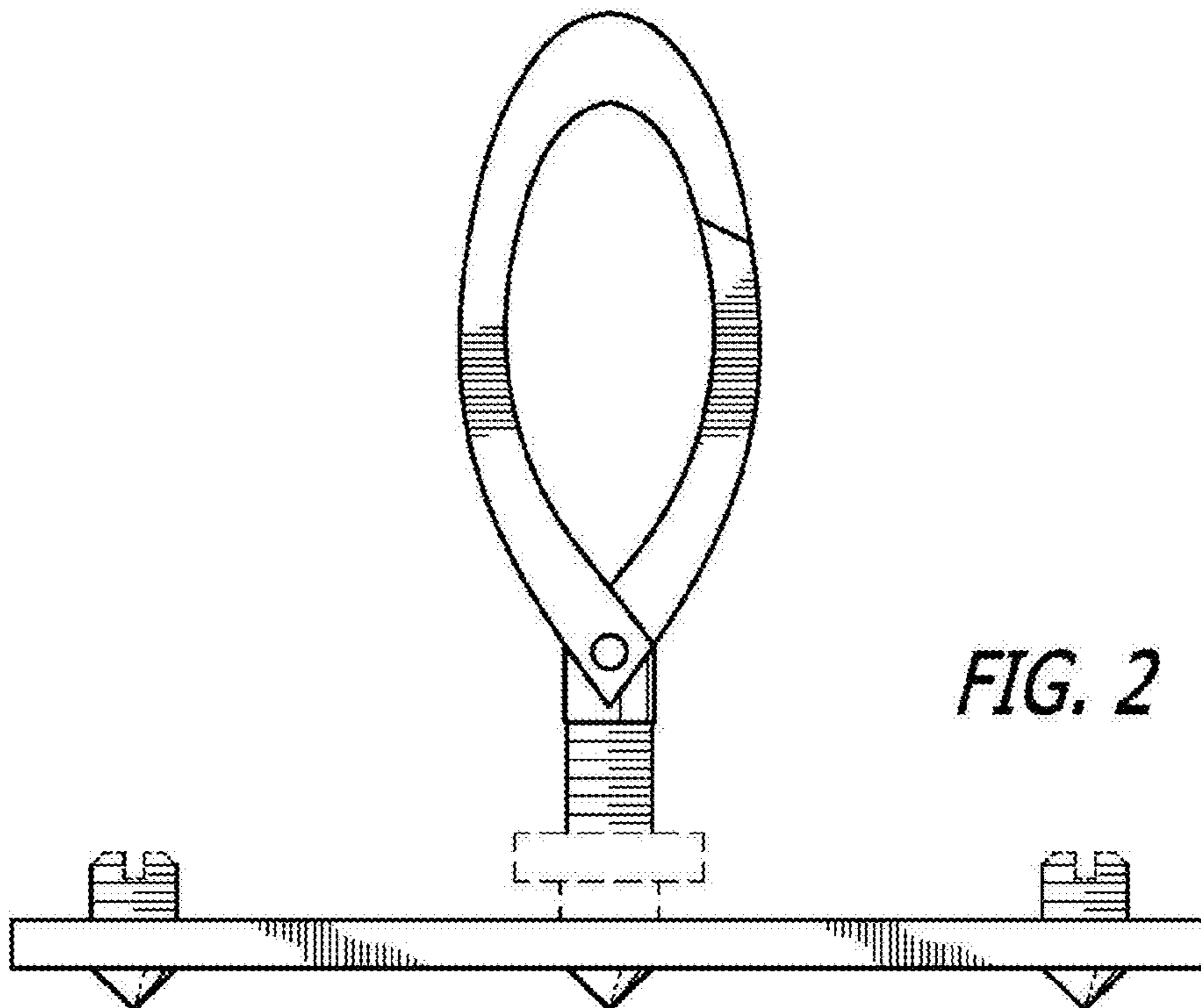


FIG. 2

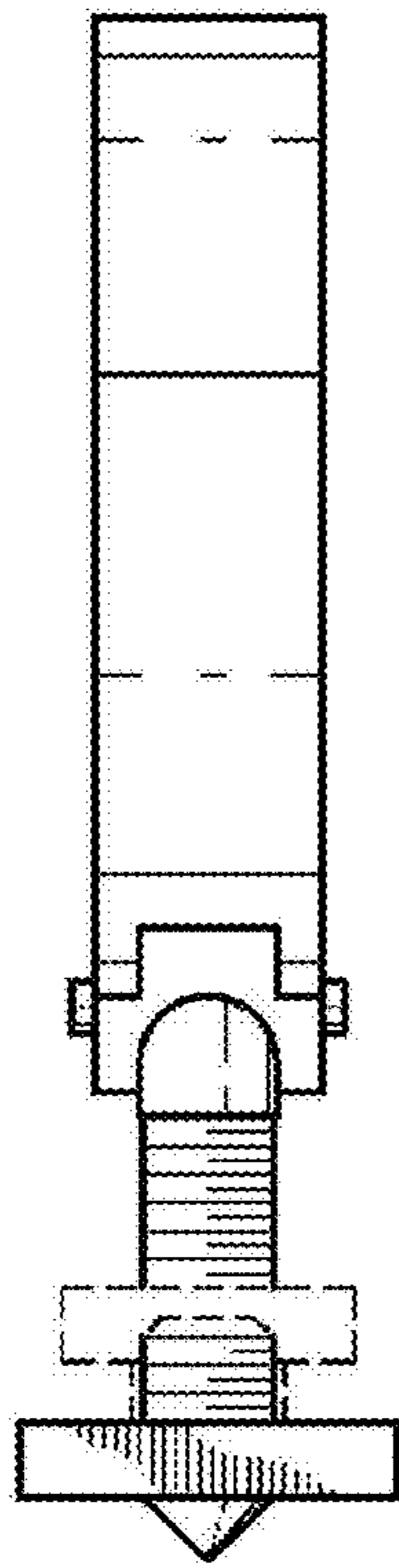


FIG. 3

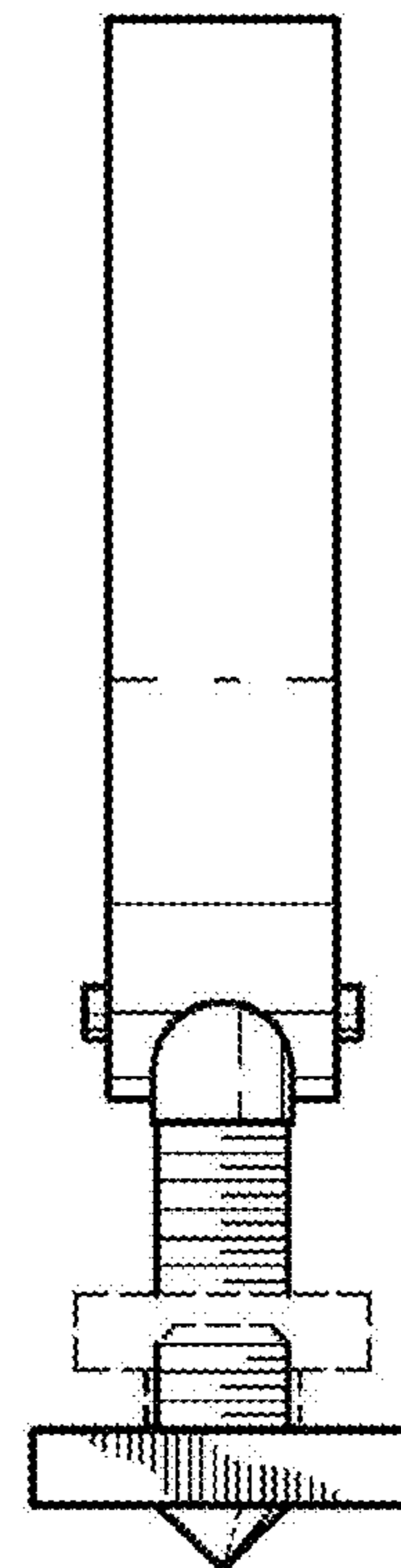


FIG. 4

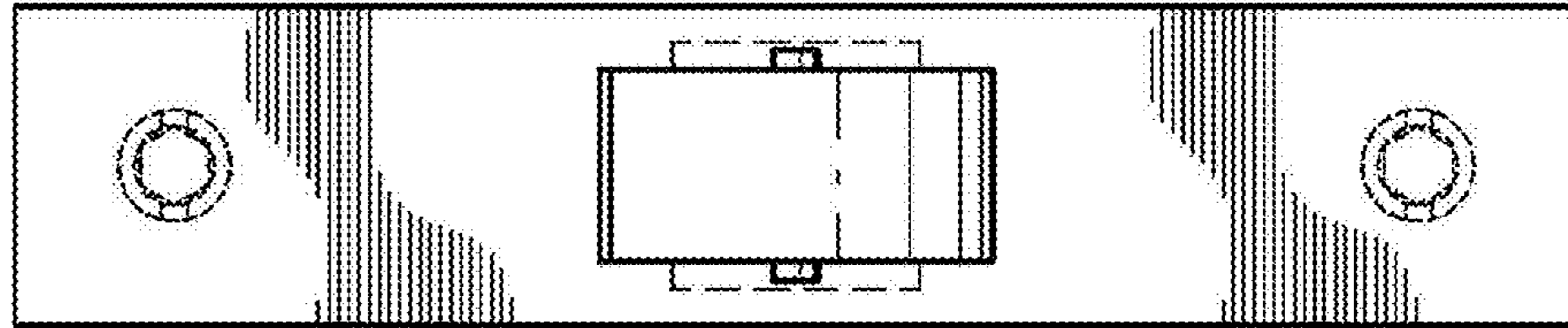


FIG. 5

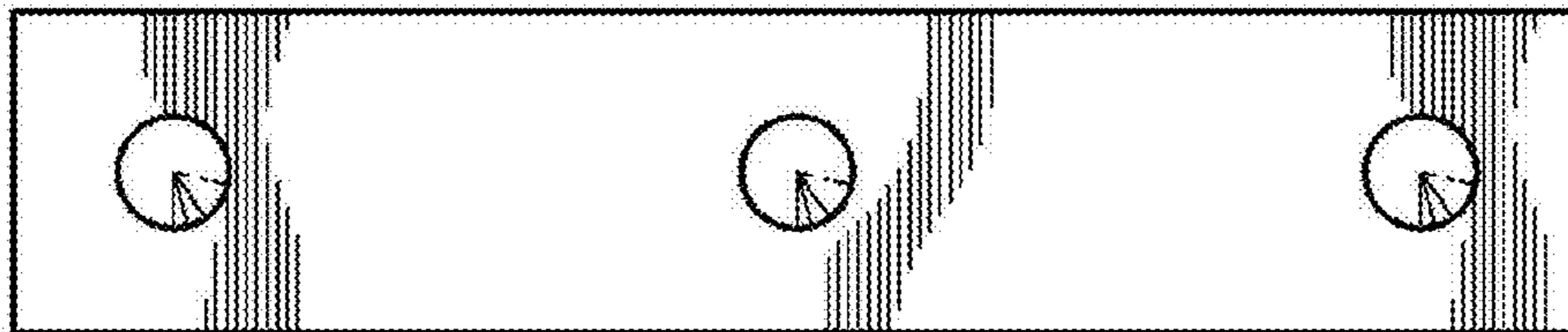


FIG. 6