

US00D764259S

(12) **United States Design Patent**
Schoening et al.

(10) **Patent No.:** **US D764,259 S**

(45) **Date of Patent:** **** Aug. 23, 2016**

(54) **CORD TRAY**

(71) Applicant: **Clarity Consulting Group, LLC,**
Visalia, CA (US)

(72) Inventors: **Mark Schoening,** Portland, OR (US);
Patrick Scranton, Vancouver, WA (US);
Donovan McNutt, Visalia, CA (US)

(73) Assignee: **Clarity Consulting Group, LLC,**
Visalia, CA (US)

(**) Term: **14 Years**

(21) Appl. No.: **29/522,931**

(22) Filed: **Apr. 3, 2015**

(51) **LOC (10) Cl.** **08-05**

(52) **U.S. Cl.**
USPC **D8/356**

(58) **Field of Classification Search**
USPC D32/361; D9/434; D24/143; 24/129 R,
24/18, 130, 289, 297, 457; 606/203;
D8/354, 356, 382, 394, 367, 349, 381;
D12/217; 248/75, 301, 302, 303, 304,
248/339, 205.3, 544; 242/615; 294/209, 24,
294/2, 210, 211; 403/53, 91
CPC B60T 3/00; H02G 3/045; F16B 2/00;
A63B 27/00

See application file for complete search history.

(56) **References Cited**

U.S. PATENT DOCUMENTS

6,059,215 A * 5/2000 Finnis B65H 75/366
242/400.1
D485,160 S * 1/2004 Pelc D8/382
D551,542 S * 9/2007 Gallien D8/373
D554,979 S * 11/2007 Hsu D8/356

D628,465 S * 12/2010 Hernandez D8/356
D647,784 S * 11/2011 McNamara D8/349
D669,341 S * 10/2012 Hernandez D8/356
D705,043 S * 5/2014 Michaud D8/366
D724,934 S * 3/2015 Lu D8/356
D732,941 S * 6/2015 Erickson D8/381
D736,601 S * 8/2015 Cox D8/356
9,173,507 B2 * 11/2015 Thrush F16M 13/02
D744,816 S * 12/2015 Furschbach D8/381
2001/0032910 A1 * 10/2001 Brueske B65H 75/366
248/80

* cited by examiner

Primary Examiner — Cynthia Underwood

(74) *Attorney, Agent, or Firm* — Mark D. Miller

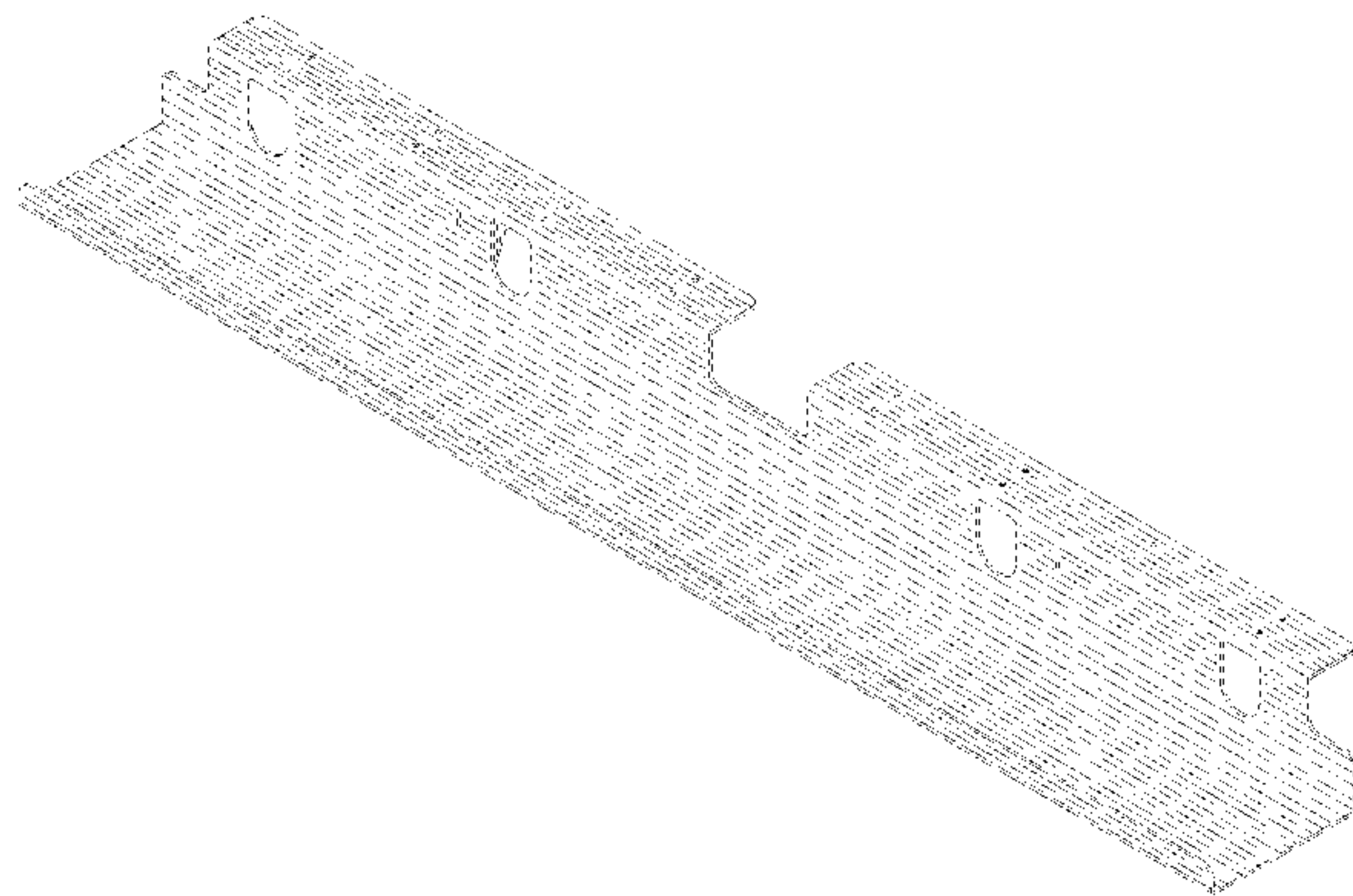
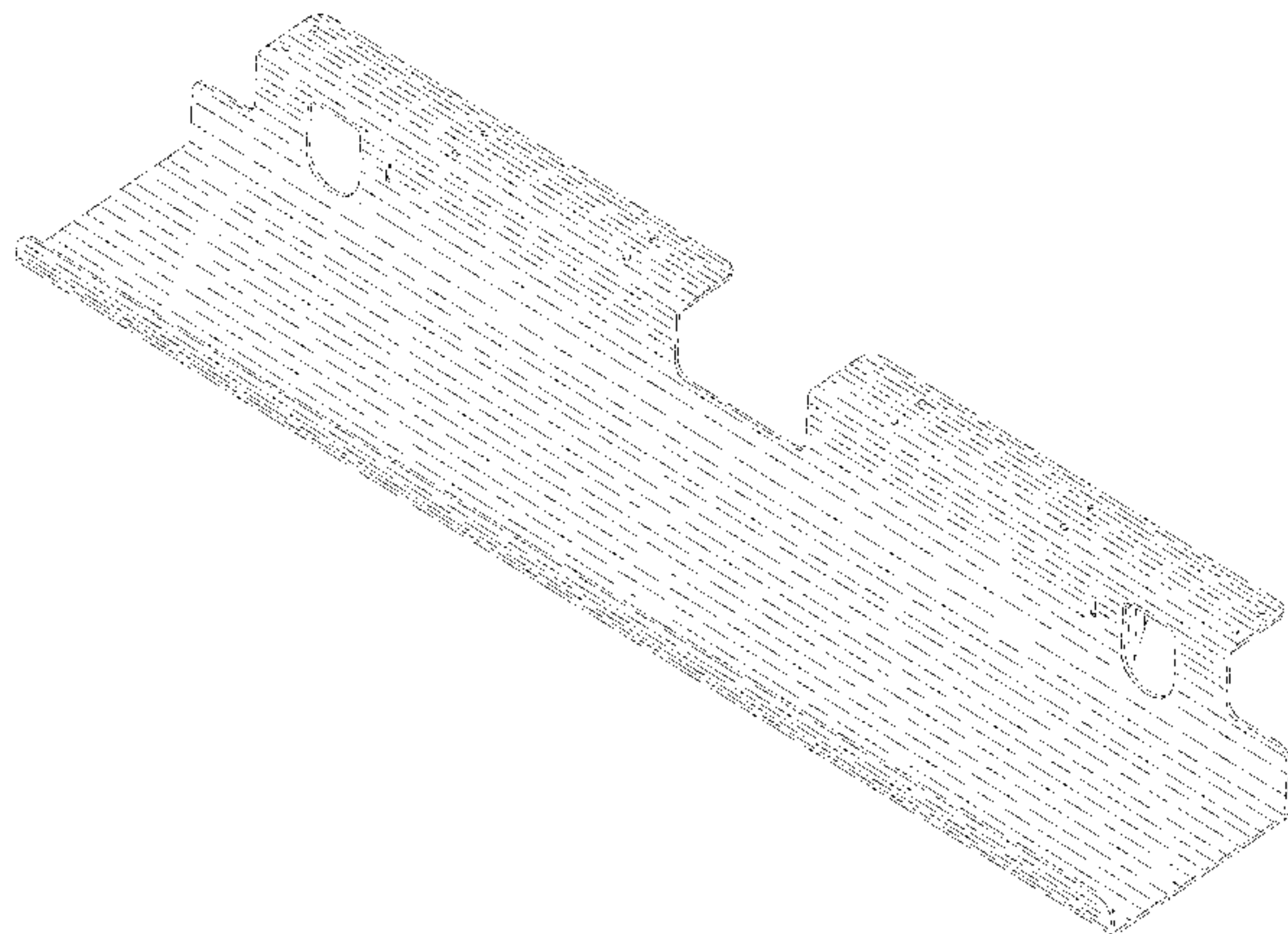
(57) **CLAIM**

We claim the ornamental design for a cord tray, as shown and described.

DESCRIPTION

FIG. 1 is a top perspective view of a cord tray showing our new design;
FIG. 2 is a top plan view thereof;
FIG. 3 is a front elevational view thereof;
FIG. 4 is a rear elevational view thereof;
FIG. 5 is a bottom plan view thereof;
FIG. 6 is a left side elevational view thereof; and
FIG. 7 is a right side elevational view thereof.
FIG. 8 is a front perspective view of a second embodiment of a cord tray showing our new design;
FIG. 9 is a top plan view thereof;
FIG. 10 is a front elevational view thereof;
FIG. 11 is a rear elevational view thereof;
FIG. 12 is a bottom plan view thereof;
FIG. 13 is a left side elevational view thereof; and
FIG. 14 is a right side elevational view thereof.

1 Claim, 8 Drawing Sheets



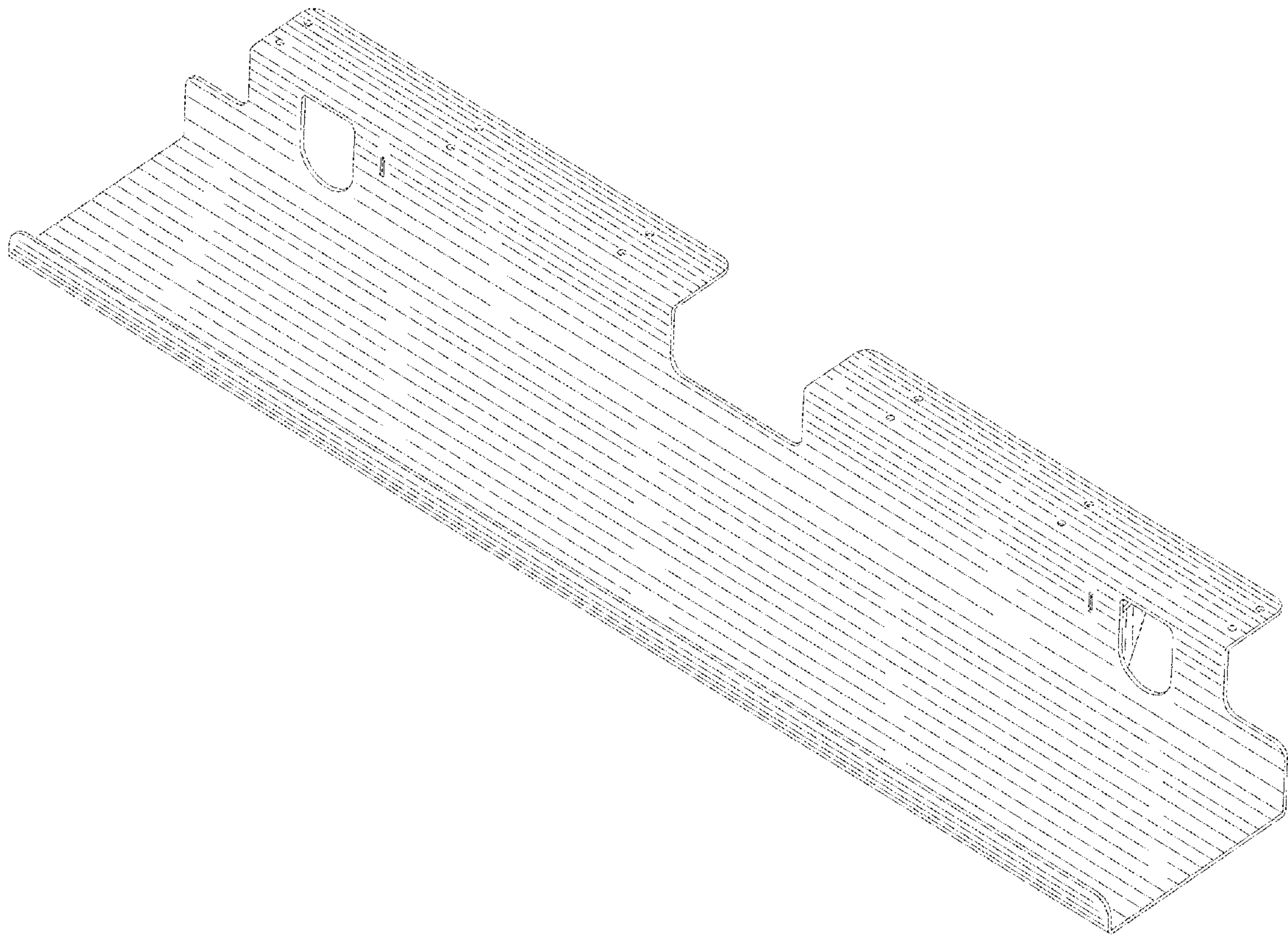


FIG. 1

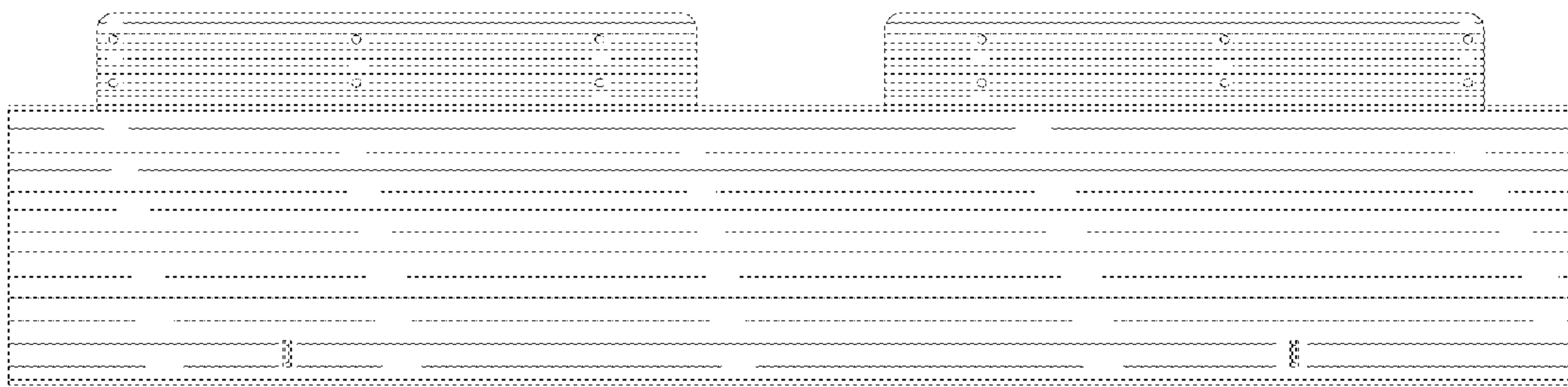


FIG. 2

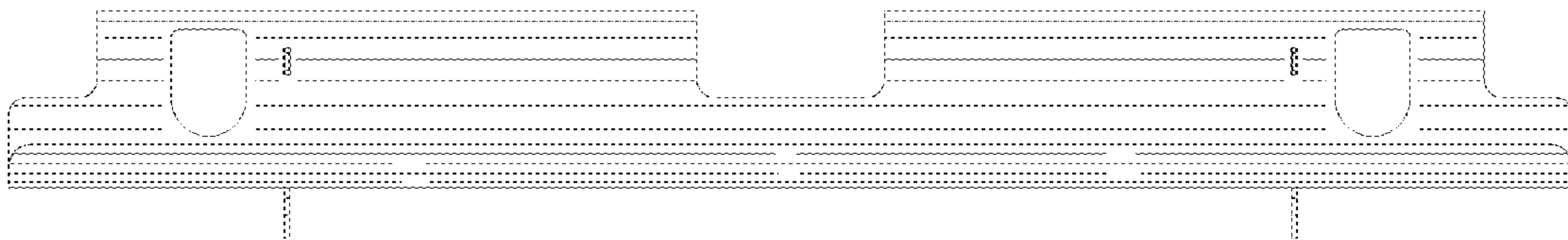


FIG. 3

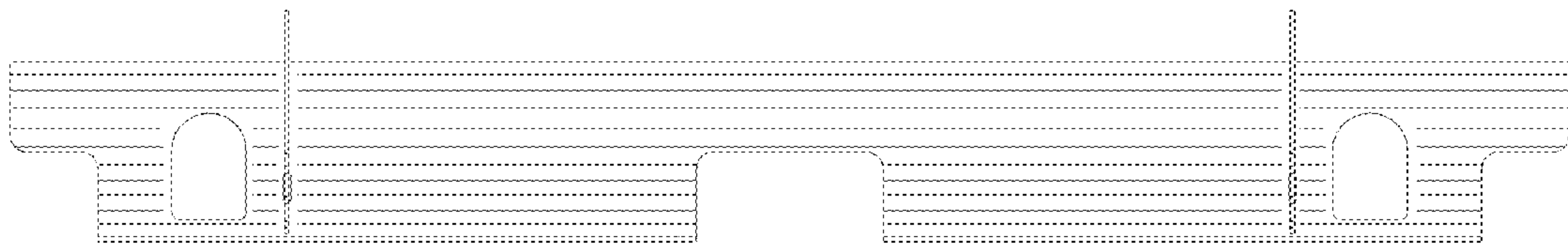


FIG. 4



FIG. 5

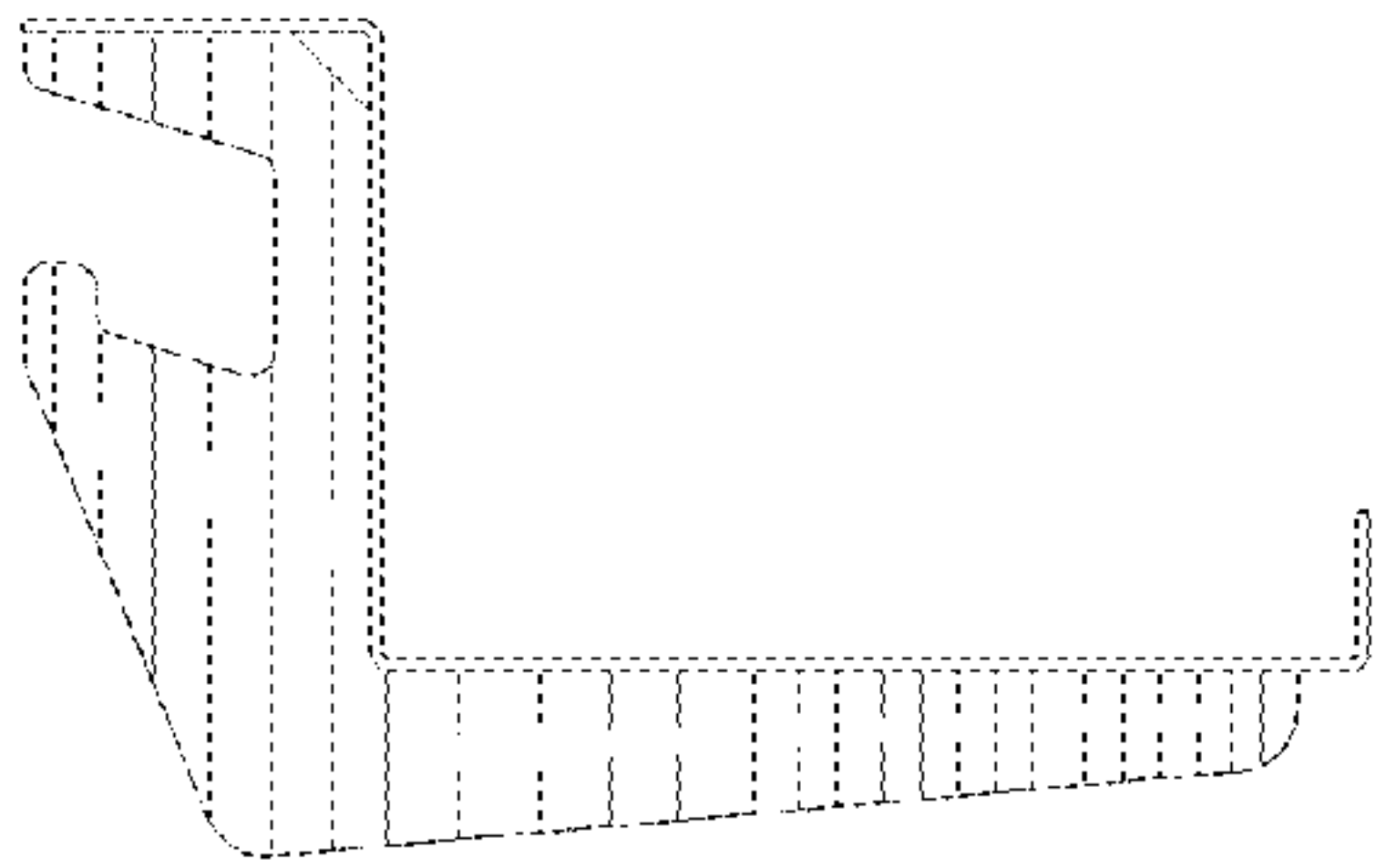


FIG. 6

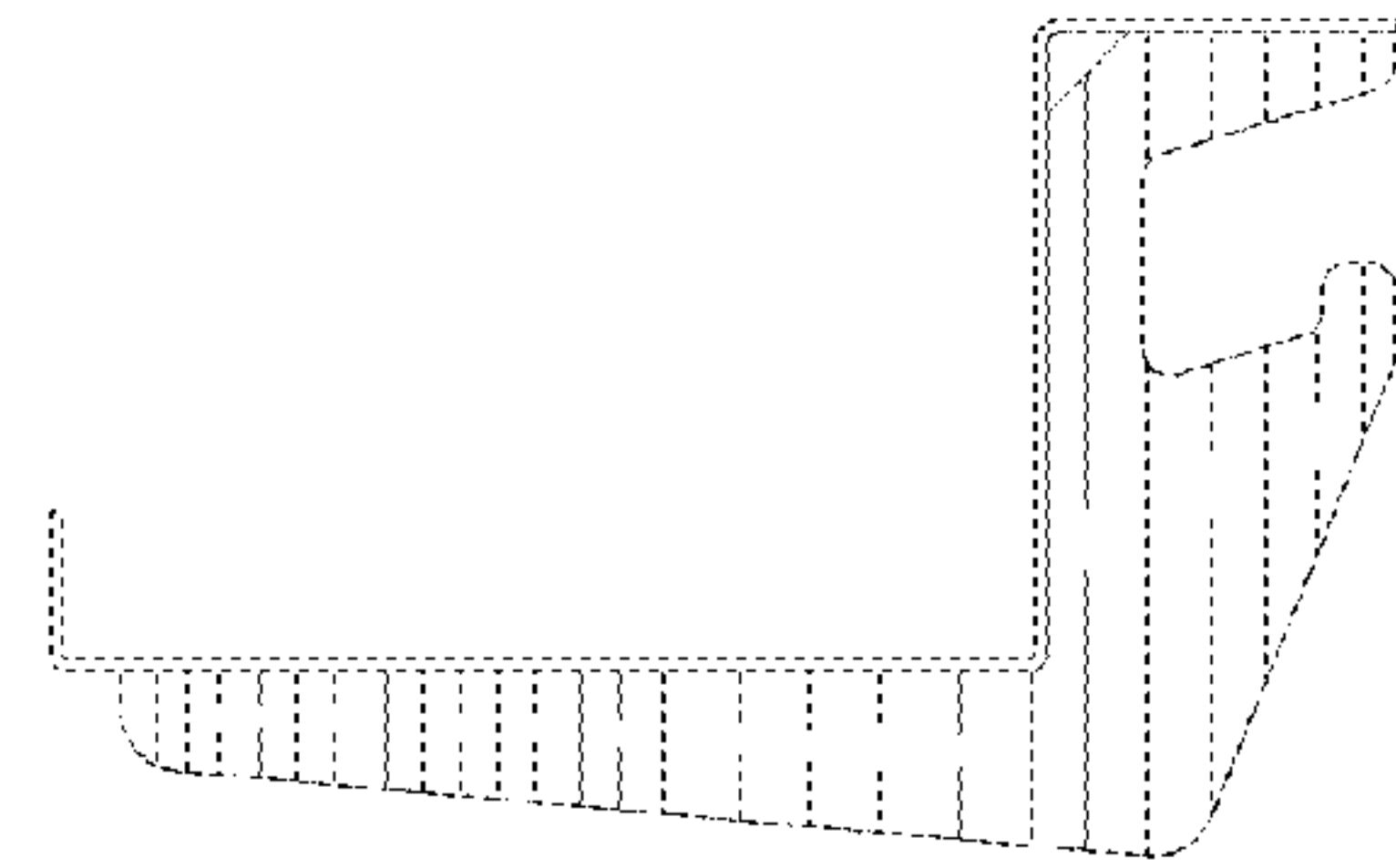


FIG. 7

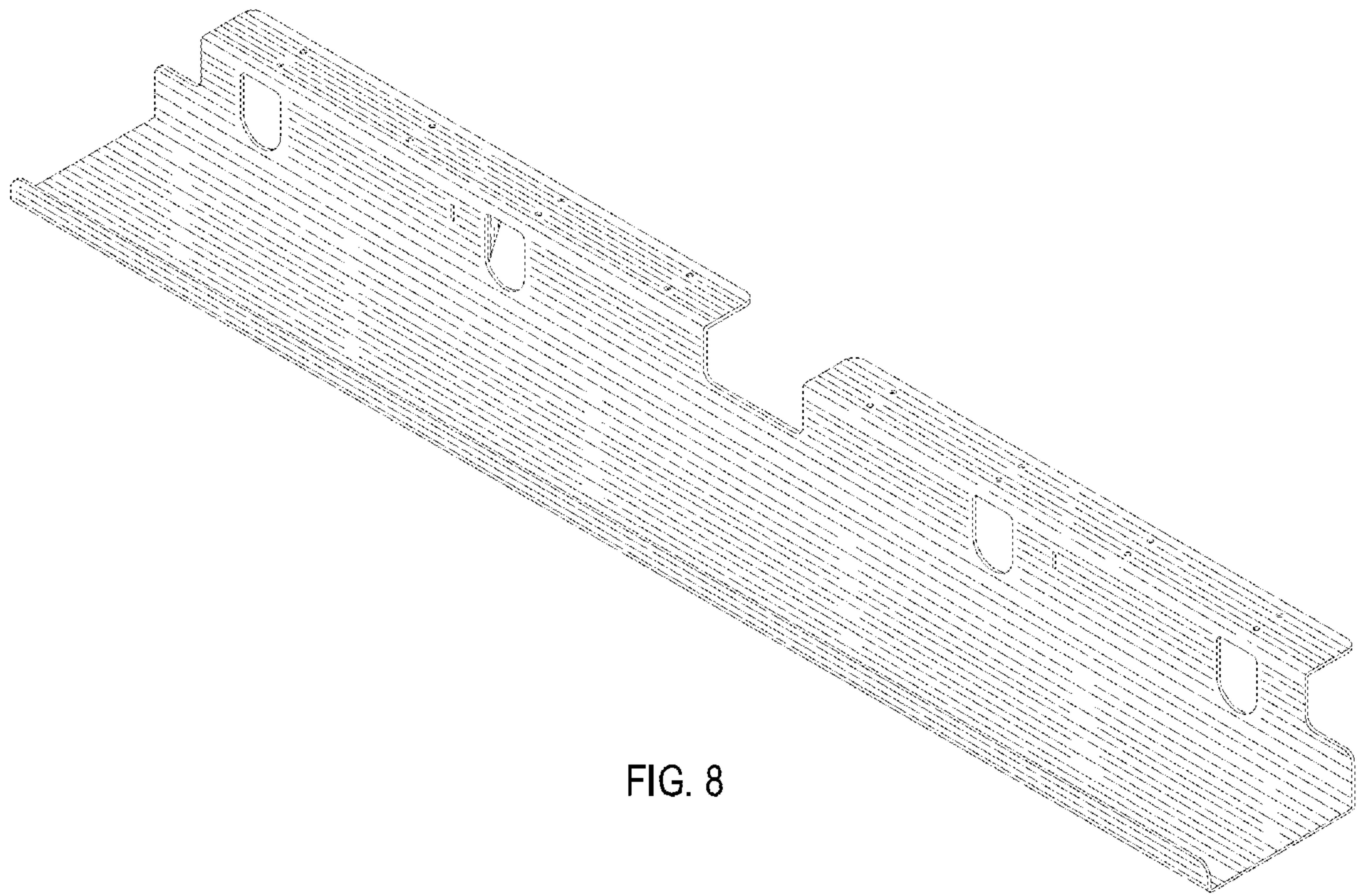


FIG. 8

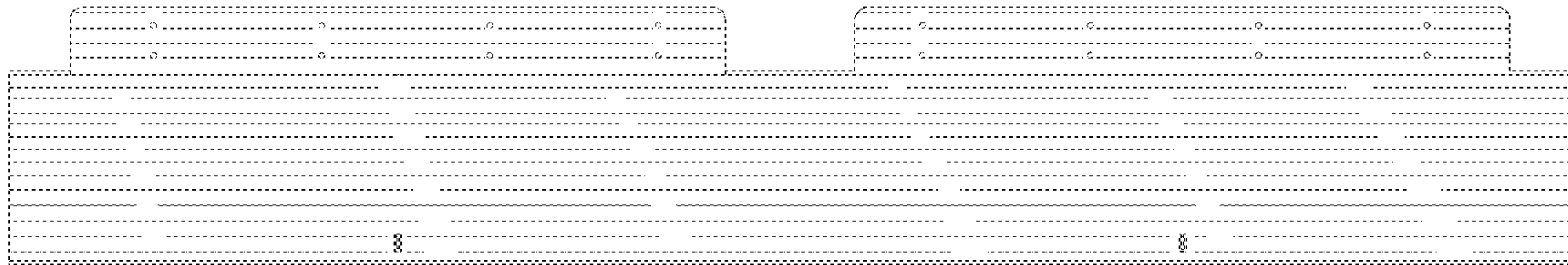


FIG. 9

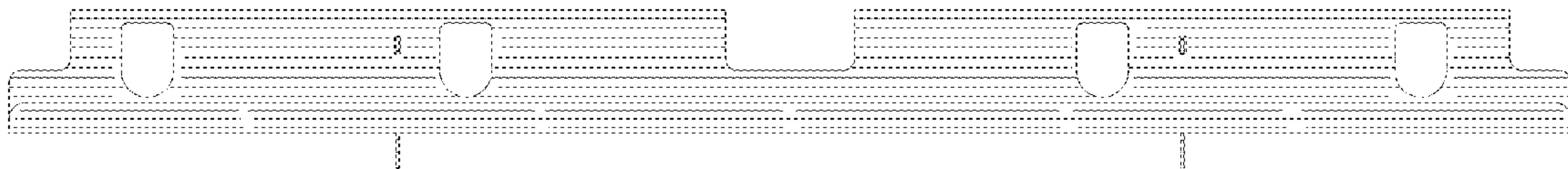


FIG. 10

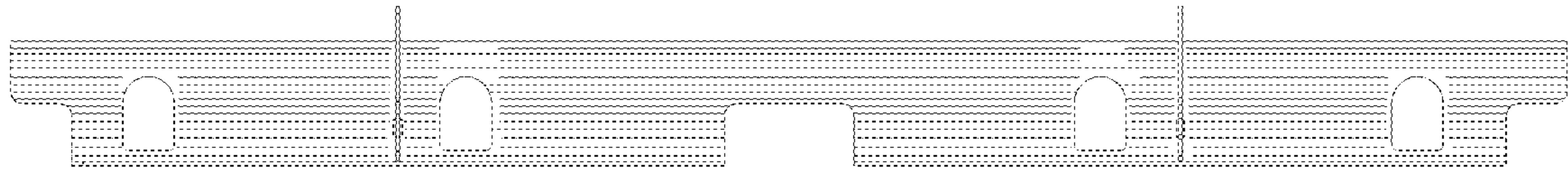


FIG. 11

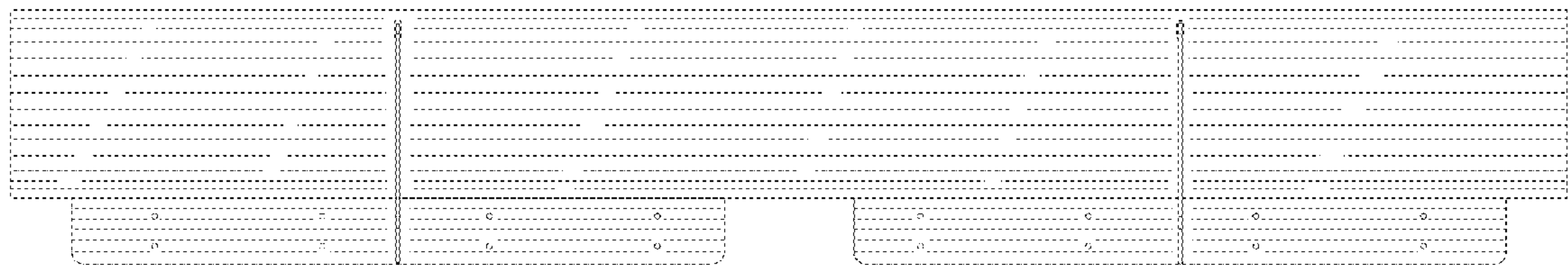


FIG. 12

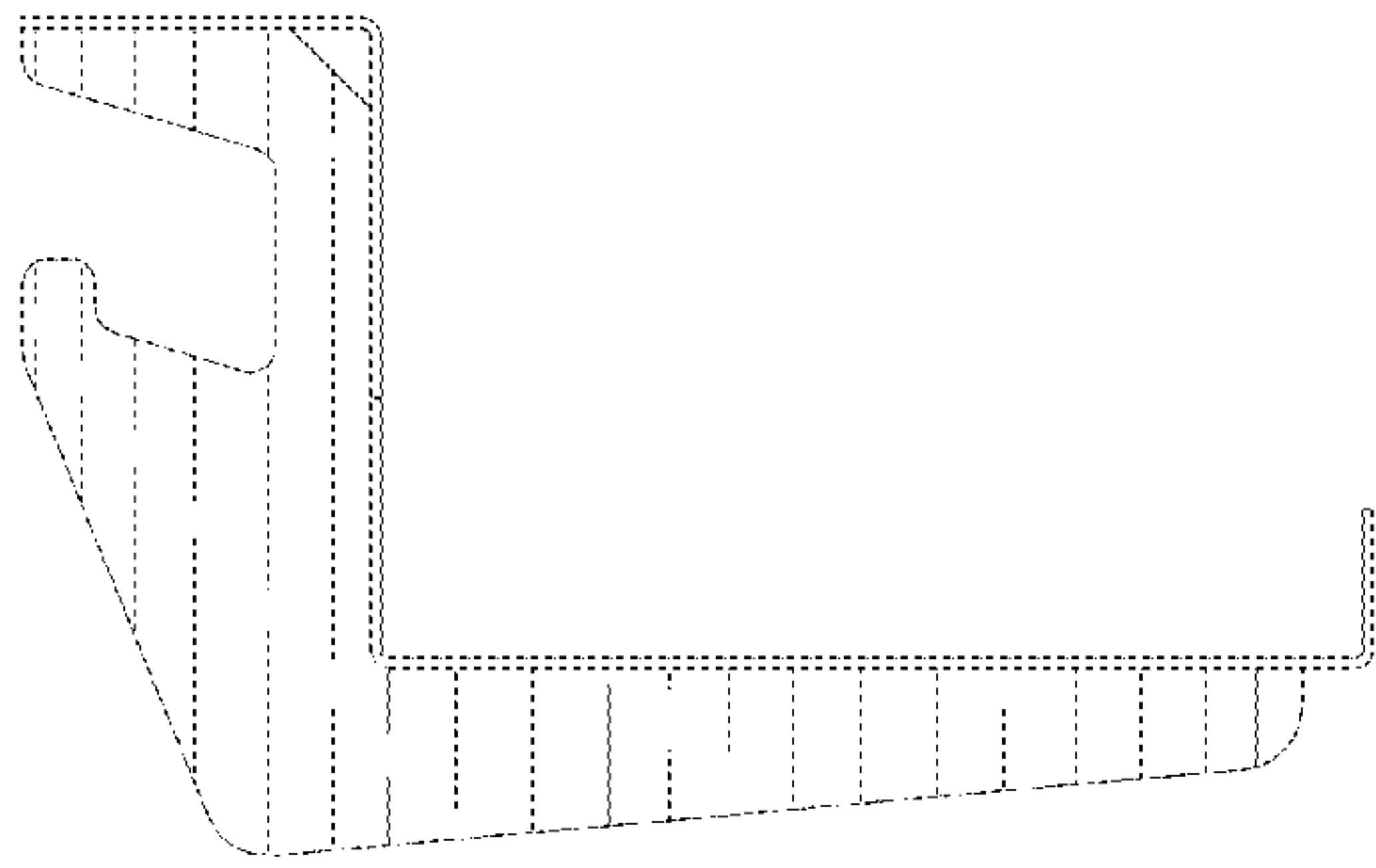


FIG. 13

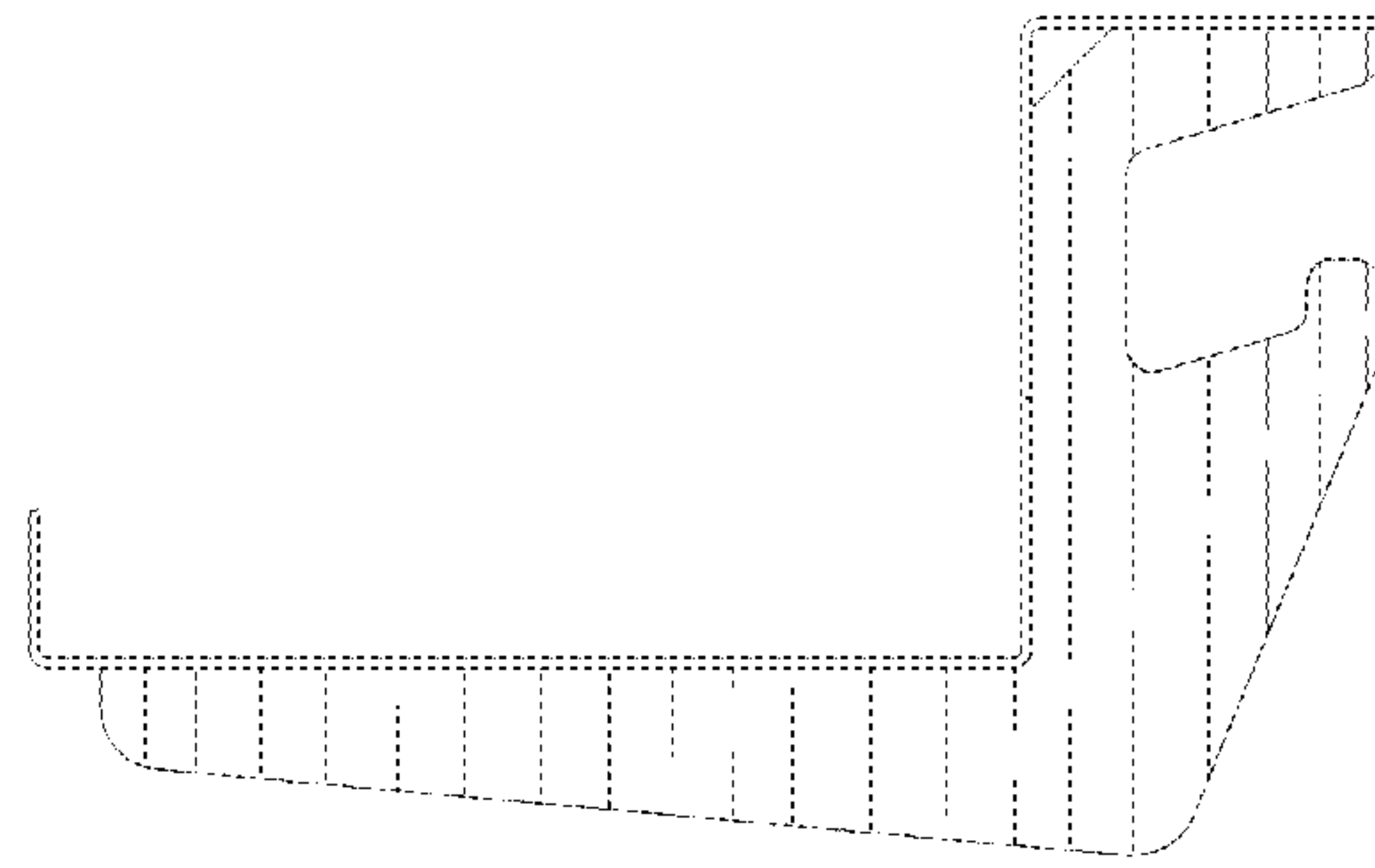


FIG. 14