

US00D764258S

(12) **United States Design Patent**  
**Miller**

(10) **Patent No.:** **US D764,258 S**

(45) **Date of Patent:** **\*\* Aug. 23, 2016**

(54) **HOUSING OF A ROPE GRAB**

D244,910 S 7/1977 Chasen et al.  
4,071,926 A 2/1978 Sweet et al.  
4,077,094 A 3/1978 Swager

(71) Applicant: **D B Industries, LLC**, Red Wing, MN  
(US)

(Continued)

(72) Inventor: **Rick G. Miller**, Hastings, MN (US)

FOREIGN PATENT DOCUMENTS

(73) Assignee: **D B Industries, LLC**, Red Wing, MN  
(US)

CA 1030732 5/1978  
DE 28 12 073 6/1979

(Continued)

(\*\*) Term: **14 Years**

OTHER PUBLICATIONS

(21) Appl. No.: **29/454,553**

(22) Filed: **May 10, 2013**

(51) **LOC (10) Cl.** ..... **08-05**

(52) **U.S. Cl.**  
USPC ..... **D8/356**

(58) **Field of Classification Search**  
USPC ..... D8/330, 331, 349, 354, 356, 360, 382,  
D8/383, 499; D11/216  
CPC ..... F16G 11/00; F16G 11/10; A62B 1/16;  
A62B 35/00; A62B 1/14; A62B 35/04;  
A47L 3/04; E06C 7/18  
See application file for complete search history.

SE 70, Operation & Maintenance instructions for the Söll Vi-Go type safe climbing system with guided type fall arrester, (Miller by Sperian) Sep. 10, 2008 [online], [retrieved on May 7, 2009] Retrieved from the Vi-Go—Vertical Arrest System webpage <[http://www.steigschutz.de/xist4c/web/Vi-Go\\_id\\_14703\\_.htm](http://www.steigschutz.de/xist4c/web/Vi-Go_id_14703_.htm)>, 21 pages.

(Continued)

*Primary Examiner* — Thomas Johannes  
*Assistant Examiner* — Shawn T Gingrich  
(74) *Attorney, Agent, or Firm* — Dicke, Billig & Czaja, PLLC

(57) **CLAIM**  
The ornamental design for a housing of a rope grab, as shown and described.

(56) **References Cited**

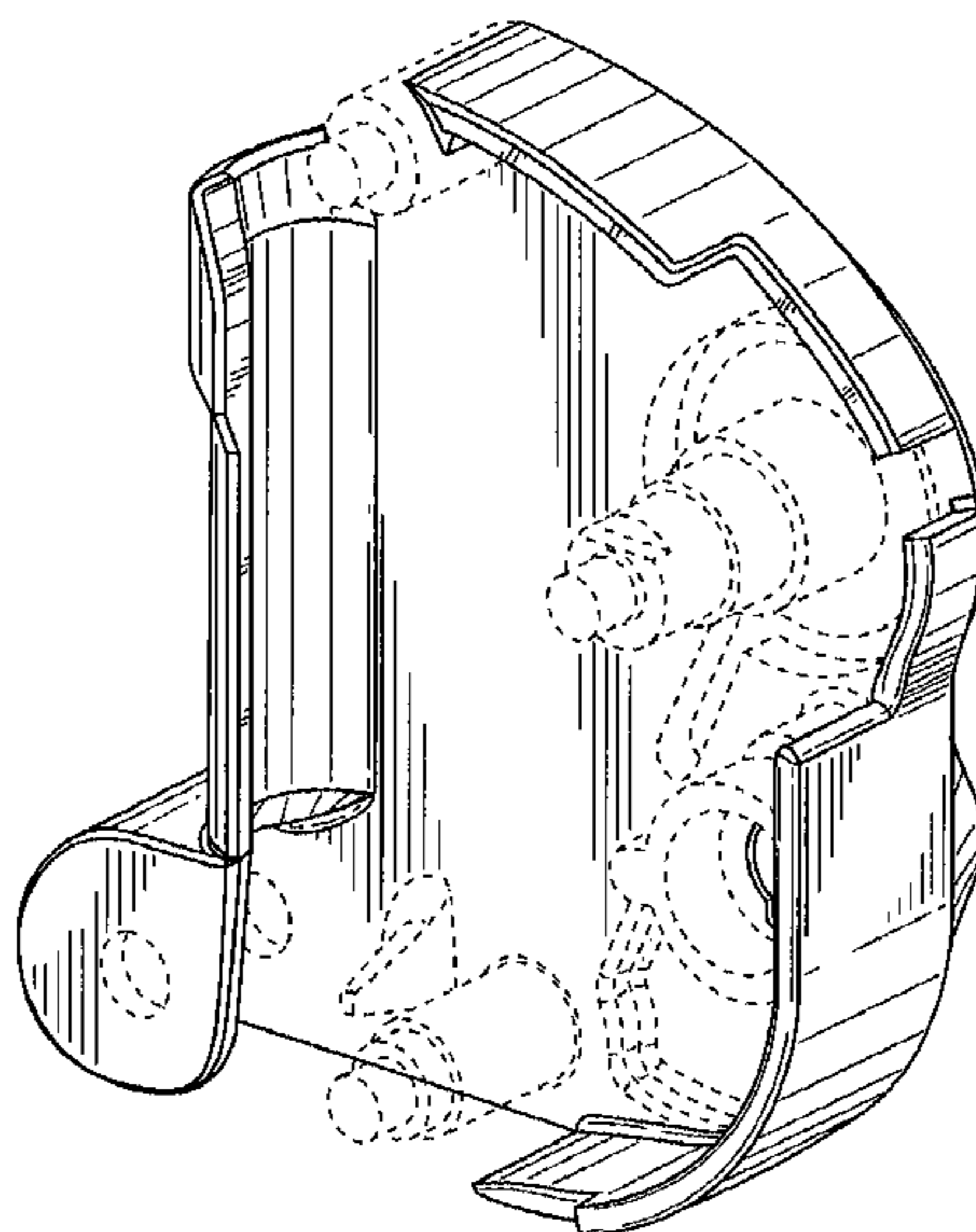
**DESCRIPTION**

U.S. PATENT DOCUMENTS

D21,870 S 9/1892 Tucker  
D25,548 S 5/1896 Hayden et al.  
D31,995 S 12/1899 Alker  
2,018,836 A 10/1935 Clemence  
D99,881 S 6/1936 Miller  
2,064,133 A 12/1936 Schroeder  
2,606,350 A 8/1952 French  
D197,382 S 1/1964 Huntley et al.  
3,177,543 A 4/1965 Fountain  
D212,740 S 11/1968 Serle  
3,488,025 A 1/1970 Rowland  
3,630,475 A 12/1971 Barry  
3,876,036 A 4/1975 Sweet

FIG. 1 is a first side perspective view of a housing of a rope grab showing my new design;  
FIG. 2 is a second side perspective view thereof;  
FIG. 3 is a front view thereof;  
FIG. 4 is a rear view thereof;  
FIG. 5 is a top view thereof; and,  
FIG. 6 is a bottom view thereof.  
The broken lines showing portions of the housing of a rope grab are for the purpose of illustrating portions that form no part of the claimed design.

**1 Claim, 4 Drawing Sheets**



(56)

References Cited

U.S. PATENT DOCUMENTS

D262,183 S 12/1981 Brown et al.  
 4,521,000 A 6/1985 Dodge, Jr.  
 4,542,884 A 9/1985 Dodge, Jr.  
 4,657,110 A 4/1987 Wolner  
 4,791,243 A 12/1988 Ibanez et al.  
 5,076,400 A 12/1991 Petzl et al.  
 5,174,536 A 12/1992 Pelletier et al.  
 D336,031 S 6/1993 Kaplan  
 5,224,427 A 7/1993 Riches et al.  
 5,368,281 A 11/1994 Skyba  
 D360,530 S 7/1995 Bobeczko  
 D362,614 S 9/1995 Kingery  
 5,860,493 A 1/1999 Cherpitel  
 D413,786 S 9/1999 Graham  
 6,029,777 A 2/2000 Rogelja  
 D425,783 S 5/2000 Ishida et al.  
 6,092,791 A 7/2000 Kingery  
 D433,929 S 11/2000 Petzl  
 6,155,384 A 12/2000 Paglioli  
 6,270,048 B1 8/2001 Carlson  
 6,279,680 B1 8/2001 Casebolt  
 6,457,556 B1 10/2002 Skade et al.  
 6,705,179 B1 3/2004 Mohtasham  
 6,725,969 B1 4/2004 Meister  
 D494,055 S 8/2004 Jones et al.  
 6,802,480 B1 10/2004 Martello  
 6,843,346 B2 1/2005 LeBeau et al.  
 6,918,464 B2 7/2005 Renton et al.  
 D524,636 S 7/2006 Burnett  
 7,188,704 B2 3/2007 Renton et al.  
 D540,153 S 4/2007 Tanaka et al.  
 D571,912 S \* 6/2008 Ranalletta et al. .... D24/129  
 D572,099 S 7/2008 Fontaine et al.  
 D584,132 S 1/2009 Judd  
 7,475,859 B2 1/2009 Selders  
 D586,001 S 2/2009 Petzl  
 D587,105 S 2/2009 Chang  
 7,500,290 B2 3/2009 Klingler  
 D597,822 S 8/2009 Olsen  
 D600,100 S 9/2009 Moncade  
 D604,591 S 11/2009 Snell  
 D608,623 S 1/2010 Snell  
 D616,431 S 5/2010 Hijmans  
 7,708,116 B2 5/2010 Martin et al.  
 D618,692 S 6/2010 Deutsch et al.  
 D627,632 S 11/2010 Elmer et al.  
 D631,333 S 1/2011 Bauer et al.  
 D649,792 S 12/2011 Nosworthy  
 D650,260 S 12/2011 Petzl  
 8,141,212 B2 3/2012 Fontaine et al.  
 D666,475 S 9/2012 Gaiti  
 D676,678 S 2/2013 Bermea  
 D685,625 S 7/2013 Diekman  
 D687,700 S 8/2013 Petzl  
 D693,208 S 11/2013 Taylor et al.  
 8,584,814 B2 11/2013 Chaumontet et al.  
 D695,094 S 12/2013 Huang  
 D708,931 S \* 7/2014 Petzl ..... D8/356  
 D722,487 S \* 2/2015 Miller ..... D8/356

2002/0175025 A1 11/2002 Kurtgis  
 2006/0096067 A1 5/2006 Fontaine et al.  
 2007/0119653 A1 5/2007 Brown et al.  
 2007/0215411 A1\* 9/2007 Petzl et al. .... 182/193  
 2009/0133977 A1 5/2009 Warren  
 2009/0194366 A1 8/2009 Parker et al.  
 2010/0012424 A1 1/2010 Krauss  
 2011/0258815 A1\* 10/2011 Everette ..... 24/134 R  
 2012/0067670 A1\* 3/2012 Rinklake ..... 182/234  
 2013/0105251 A1 5/2013 Baum  
 2013/0180800 A1\* 7/2013 Mauthner ..... 182/5  
 2014/0020983 A1 1/2014 Casebolt et al.  
 2014/0020988 A1\* 1/2014 Casebolt et al. .... 188/65.1  
 2014/0054109 A1\* 2/2014 Barnett ..... 182/5  
 2014/0123439 A1 5/2014 Bacon  
 2014/0138191 A1\* 5/2014 Chabod et al. .... 188/65.1  
 2014/0174850 A1\* 6/2014 Paglioli ..... 182/5  
 2014/0196984 A1 7/2014 Chabod et al.  
 2014/0262611 A1\* 9/2014 Oddou et al. .... 182/5

FOREIGN PATENT DOCUMENTS

DE 28 10 928 9/1979  
 DE 86 06 240 U1 6/1986  
 DE 35 31 391 A1 3/1987  
 DE 202 17 045 U1 5/2003  
 DE 20 2005 011 338 U1 12/2006  
 EP 0 168 021 1/1986  
 EP 2 407 211 1/2012  
 FR 2 539 477 7/1984  
 FR 2 555 060 5/1985  
 FR 2 857 601 1/2005  
 GB 1 536 354 12/1978  
 GB 2 396 195 B 6/2004  
 WO WO 96/23951 8/1996  
 WO WO 00/60209 10/2000  
 WO WO 2005/058422 A1 6/2005  
 WO WO 2009/037173 A1 3/2009  
 WO WO 2009/100315 A2 8/2009

OTHER PUBLICATIONS

Non-Final Office Action of U.S. Appl. No. 29/454,538 mailed Feb. 5, 2014.  
 Non-Final Office Action of U.S. Appl. No. 29/454,549 mailed Feb. 10, 2014.  
 Non-Final Office Action of U.S. Appl. No. 29/454,561 mailed Feb. 7, 2014.  
 Non-Final Office Action of U.S. Appl. No. 29/454,561 mailed Jul. 11, 2014.  
 Non-Final Office Action for U.S. Appl. No. 29/490,444 mailed May 6, 2015.  
 Non-Final Office Action for U.S. Appl. No. 29/490,478 mailed May 14, 2015.  
 Non-Final Office Action of U.S. Appl. No. 29/454,557 mailed May 21, 2015.  
 Non-Final Office Action of U.S. Appl. No. 29/454,551 mailed May 21, 2015.  
 Non-Final Office Action of U.S. Appl. No. 29/454,550 mailed May 20, 2015.

\* cited by examiner

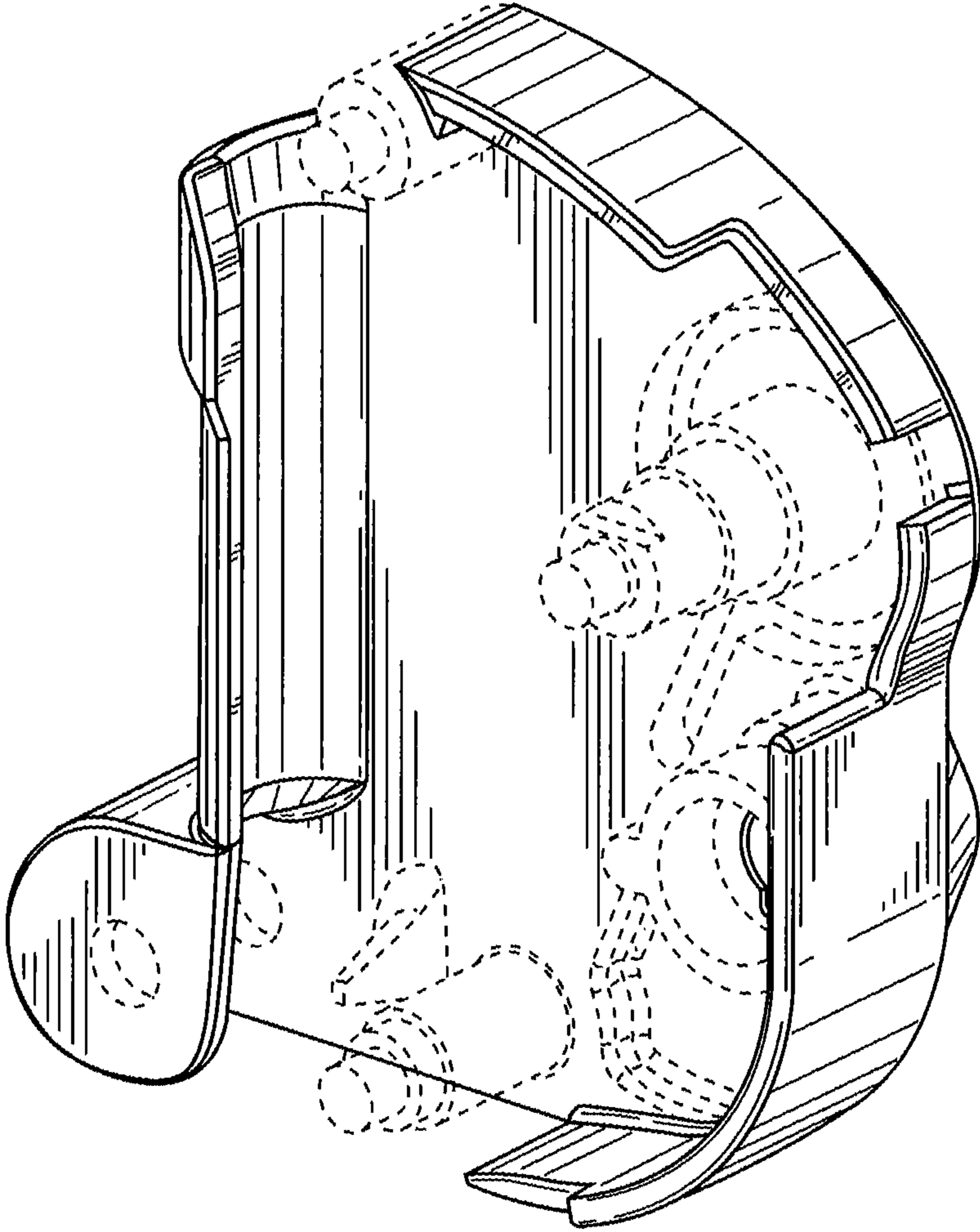
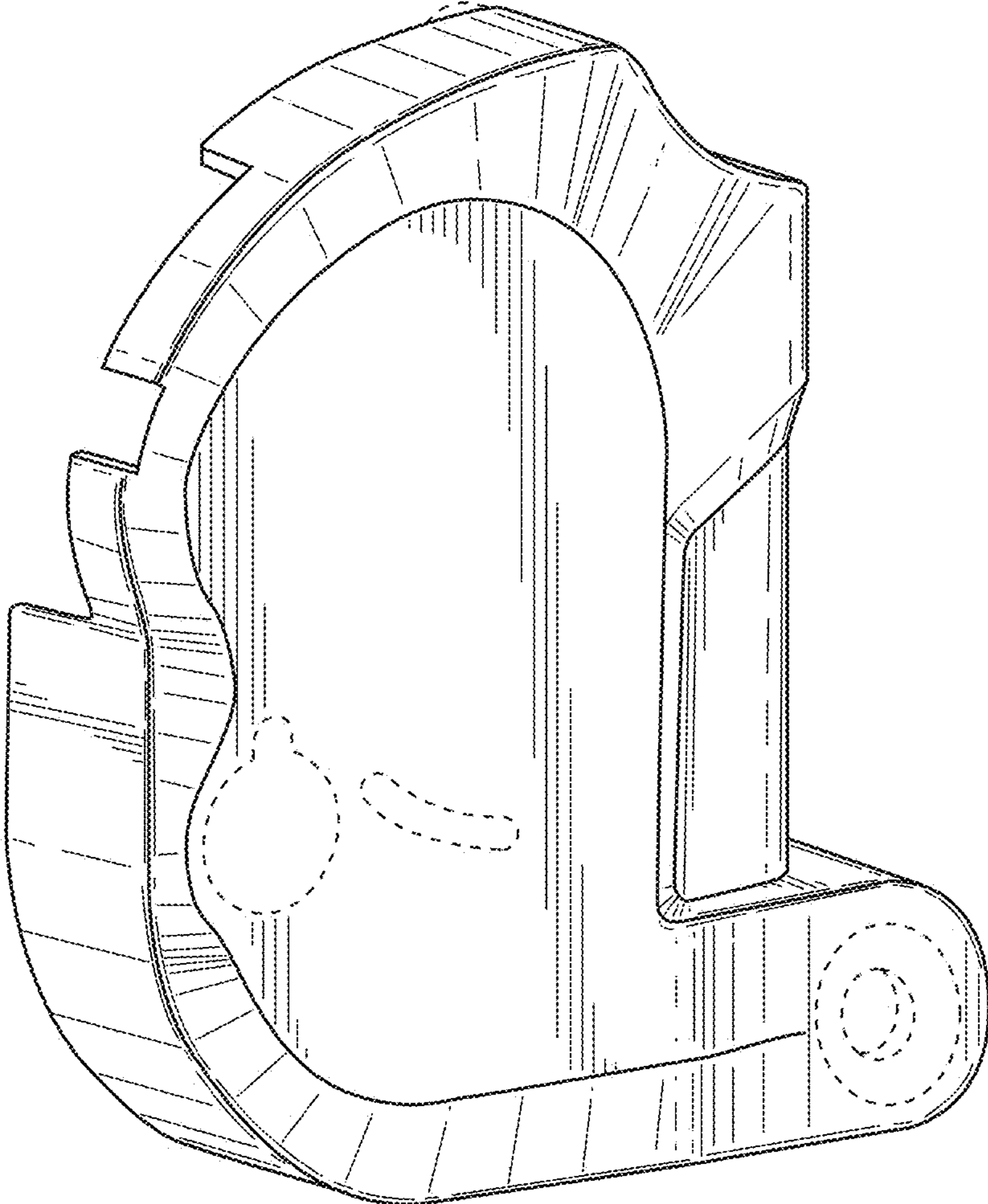


FIG. 1



**FIG. 2**

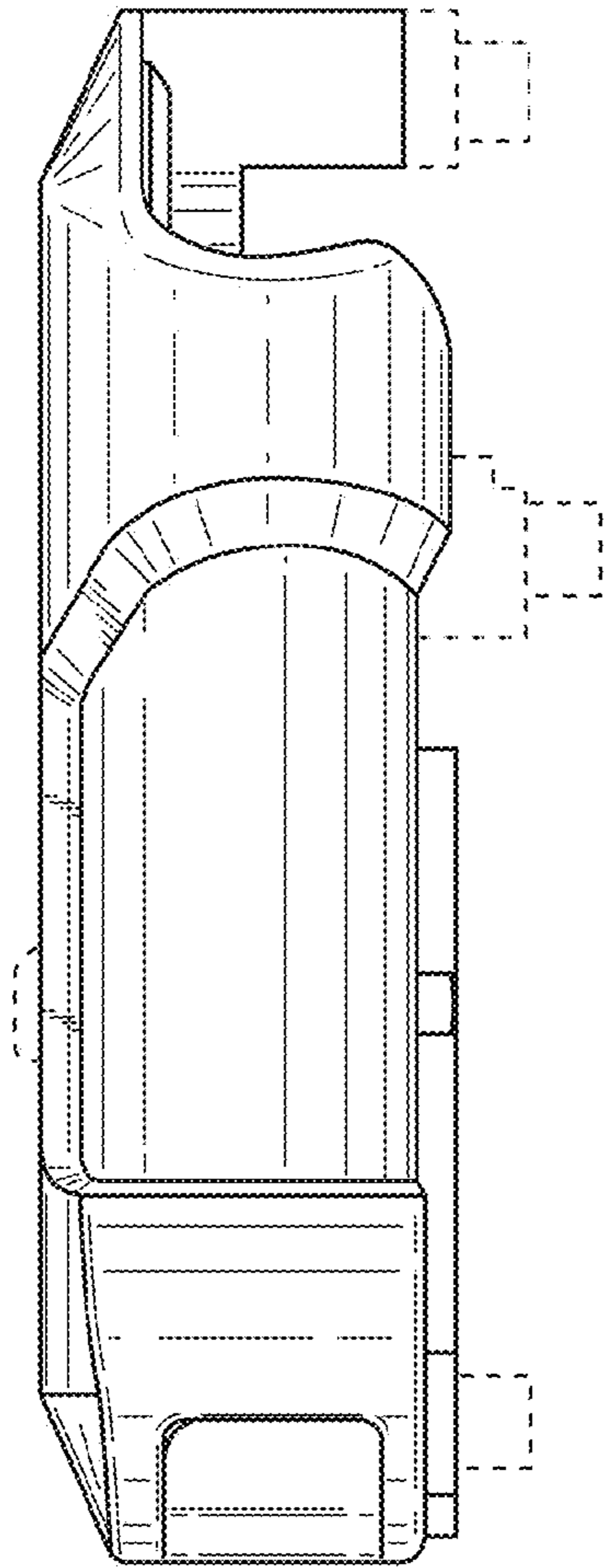


FIG. 3

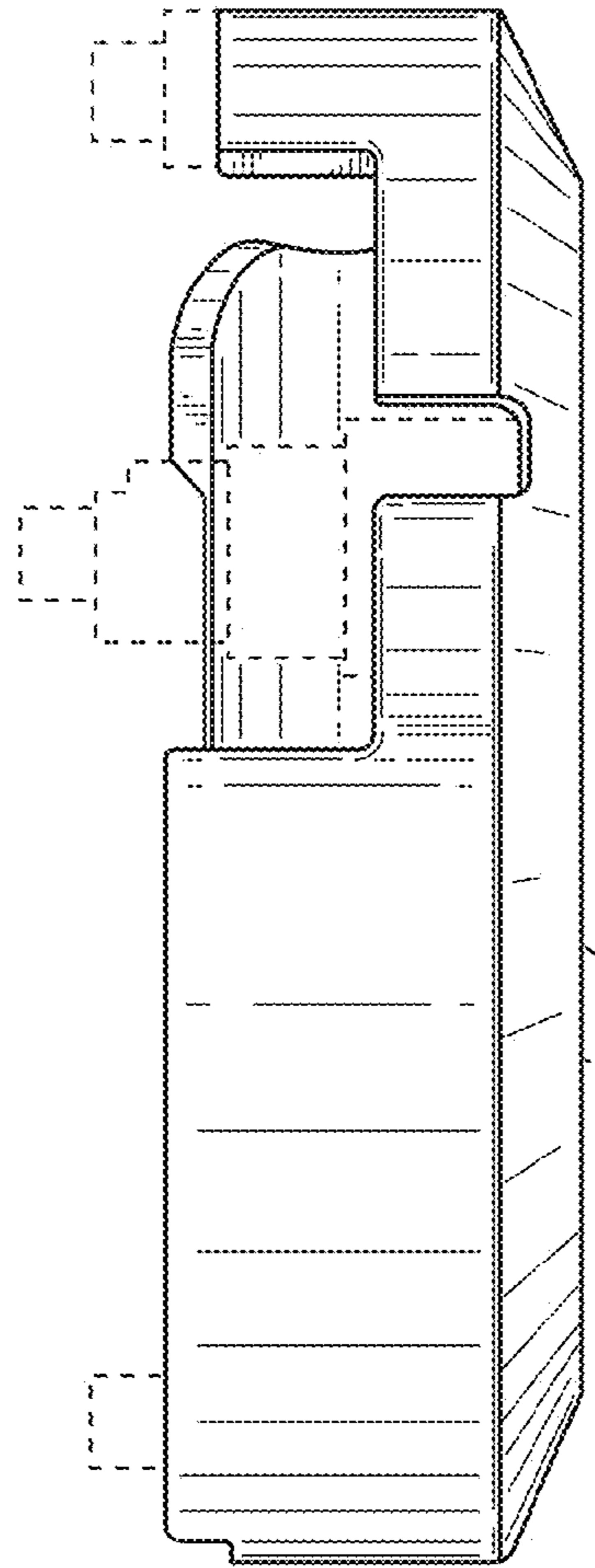
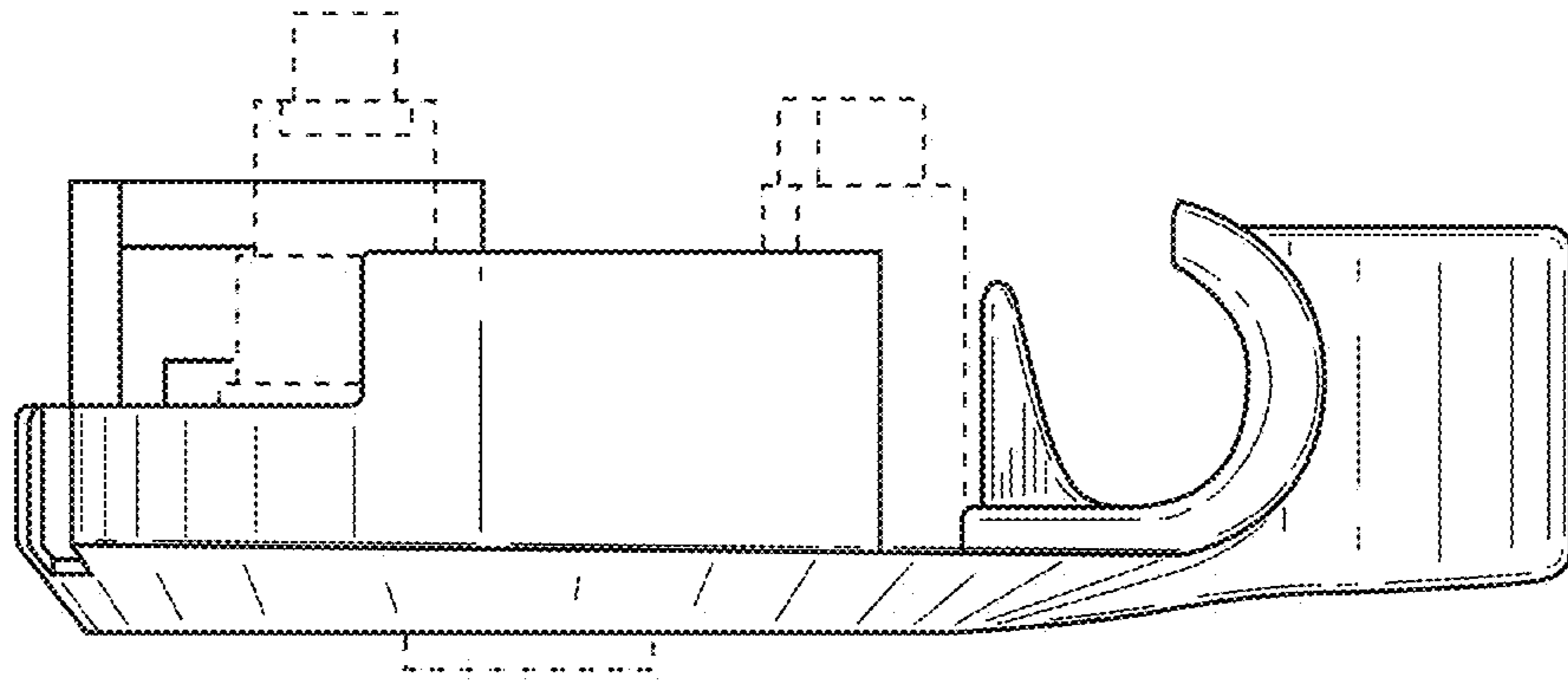
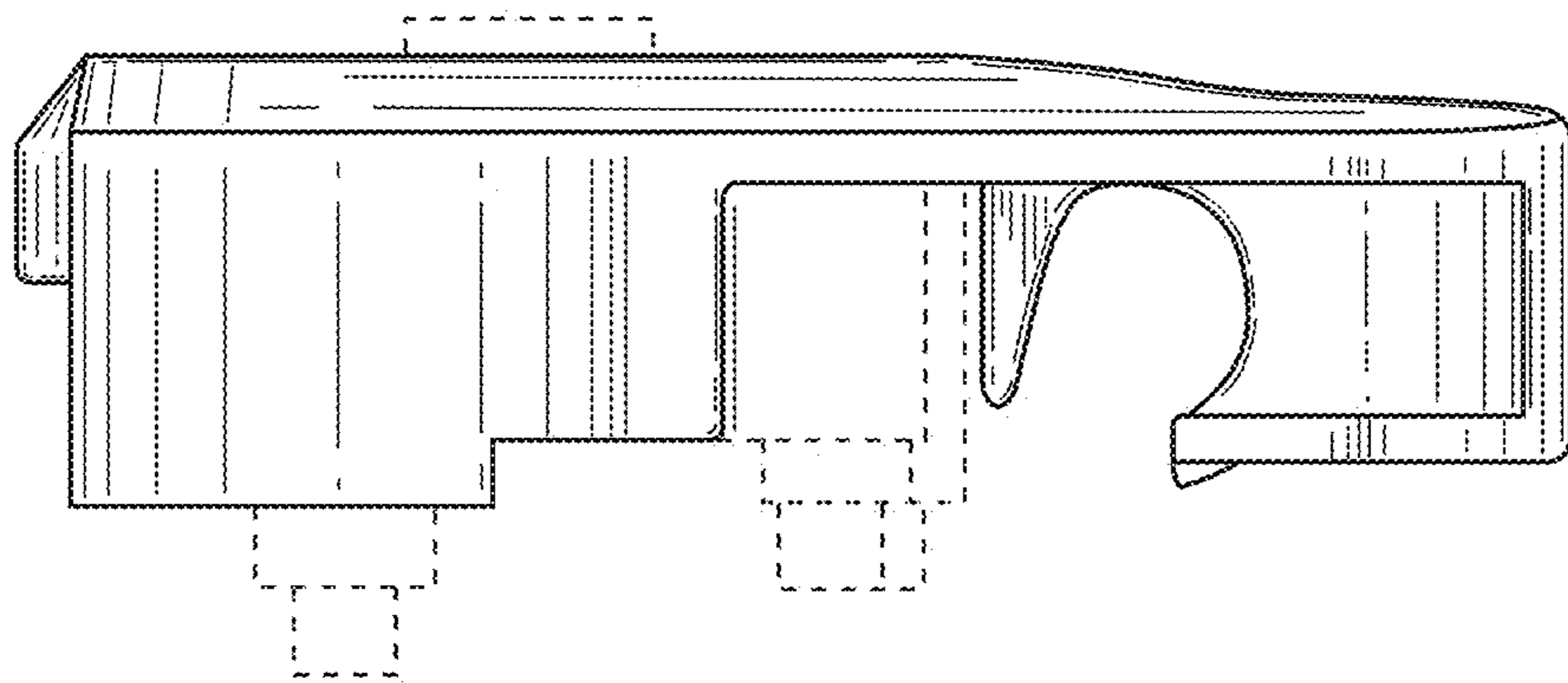


FIG. 4



**FIG. 5**



**FIG. 6**