

US00D764257S

(12) **United States Design Patent**
Gastelum

(10) **Patent No.:** **US D764,257 S**

(45) **Date of Patent:** **** Aug. 23, 2016**

(54) **ROLLER ATTACHMENT FOR A PAINT SPRAYER**

(71) Applicant: **David Gastelum**, Riverside, CA (US)

(72) Inventor: **David Gastelum**, Riverside, CA (US)

(**) Term: **14 Years**

(21) Appl. No.: **29/497,419**

(22) Filed: **Jul. 24, 2014**

(51) **LOC (10) Cl.** **08-08**

(52) **U.S. Cl.**

USPC **D8/355**

(58) **Field of Classification Search**

USPC D8/355, 349, 354, 394, 396, 397, 399,
D8/398; 248/110, 111, 113, 200, 220.2,
248/229, 271, 300, 489; 403/73

CPC B05C 17/0217; B05C 17/0212; B05C
17/035; B05C 17/10; B05C 17/03; B05C
17/0333; B05C 17/00; B05C 17/0205;
B05B 15/064; B05B 16/067; B25G 1/04;
E04G 7/16; E04G 7/18; E04G 7/20

See application file for complete search history.

(56) **References Cited**

U.S. PATENT DOCUMENTS

3,331,093	A	7/1967	Mayden	
3,340,562	A	9/1967	Skandaliaris	
3,427,115	A	2/1969	Jolly	
4,854,625	A *	8/1989	Eubanks	B25G 1/04 15/144.1
D312,566	S *	12/1990	Scherer	D8/355
5,056,952	A *	10/1991	Gringer	B25G 1/06 403/103
5,595,451	A	1/1997	Harrison, Jr.	
D396,755	S *	8/1998	Lennox	D4/199
5,853,258	A *	12/1998	Woodruff	B05B 9/01 401/208
D454,479	S *	3/2002	Kolpin	D8/349

D456,147	S *	4/2002	Anderson	D4/199
D484,399	S *	12/2003	Arthur	D8/394
D499,954	S *	12/2004	Brushaber	D8/355
6,860,669	B2 *	3/2005	Laisement	B62D 1/184 280/775
D554,975	S *	11/2007	Kimura	D8/354
D556,458	S *	12/2007	Lanz	D4/199
7,455,469	B1	11/2008	Langdon	
D604,345	S *	11/2009	Camp	D15/134
D739,710	S *	9/2015	Bukovitz	D4/199
2007/0122227	A1 *	5/2007	Davis	B05B 15/064 401/137

* cited by examiner

Primary Examiner — Mark Goodwin

(74) *Attorney, Agent, or Firm* — Kirk A. Buhler; Buhler & Associates

(57) **CLAIM**

The ornamental design for a roller attachment for a paint sprayer, as shown and described.

DESCRIPTION

FIG. 1 is a top perspective view for a roller attachment for a paint sprayer showing my new design shown in an environment of use;

FIG. 2 is a top side view the bottom side view being a mirror image thereof;

FIG. 3 is a front side view thereof;

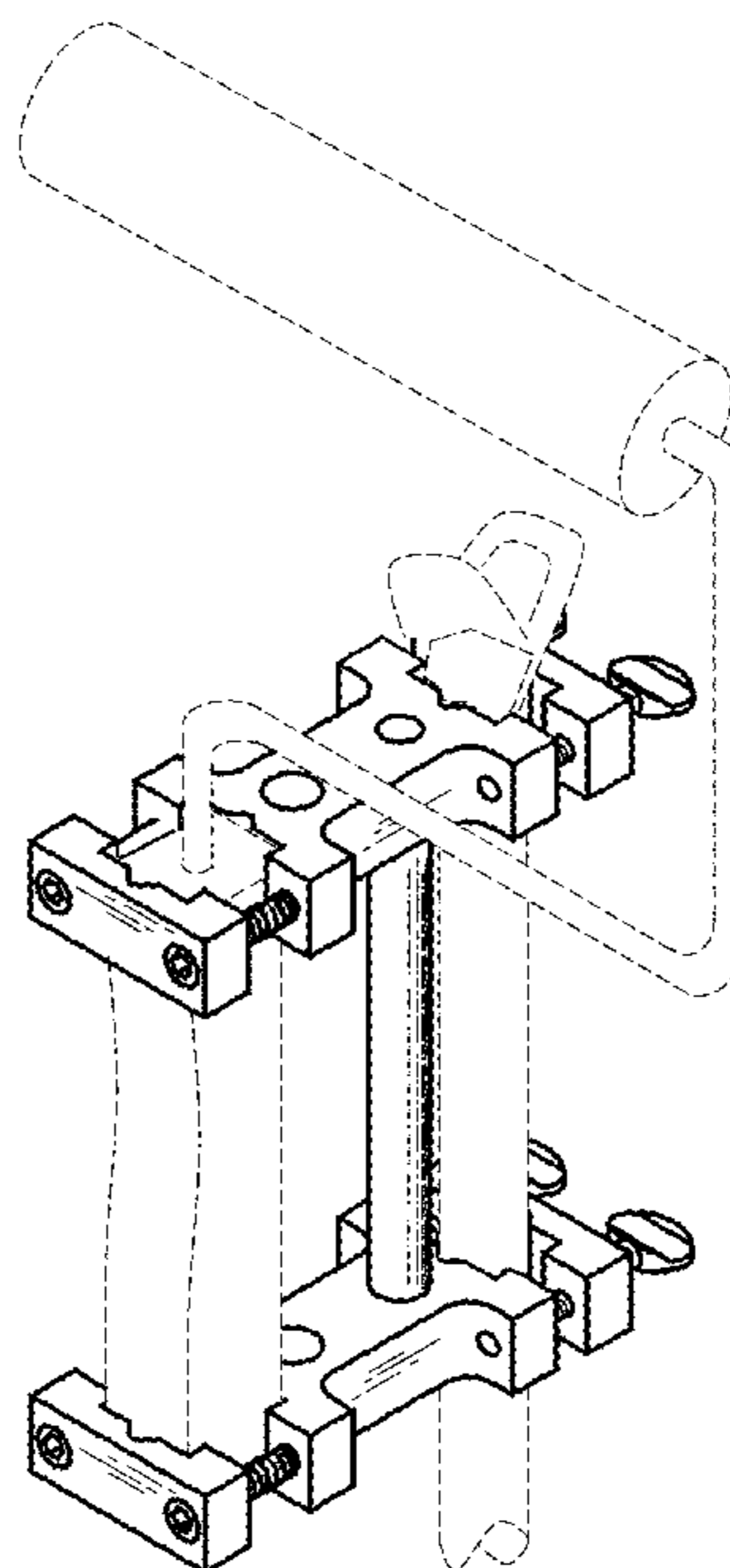
FIG. 4 is a back side view thereof;

FIG. 5 is a left side view, the right side view being a mirror image thereof; and,

FIG. 6 is a perspective exploded view.

The broken lines in FIG. 1 depict environmental subject matter of a paint sprayer and paint roller and form no part of the claimed design.

1 Claim, 5 Drawing Sheets



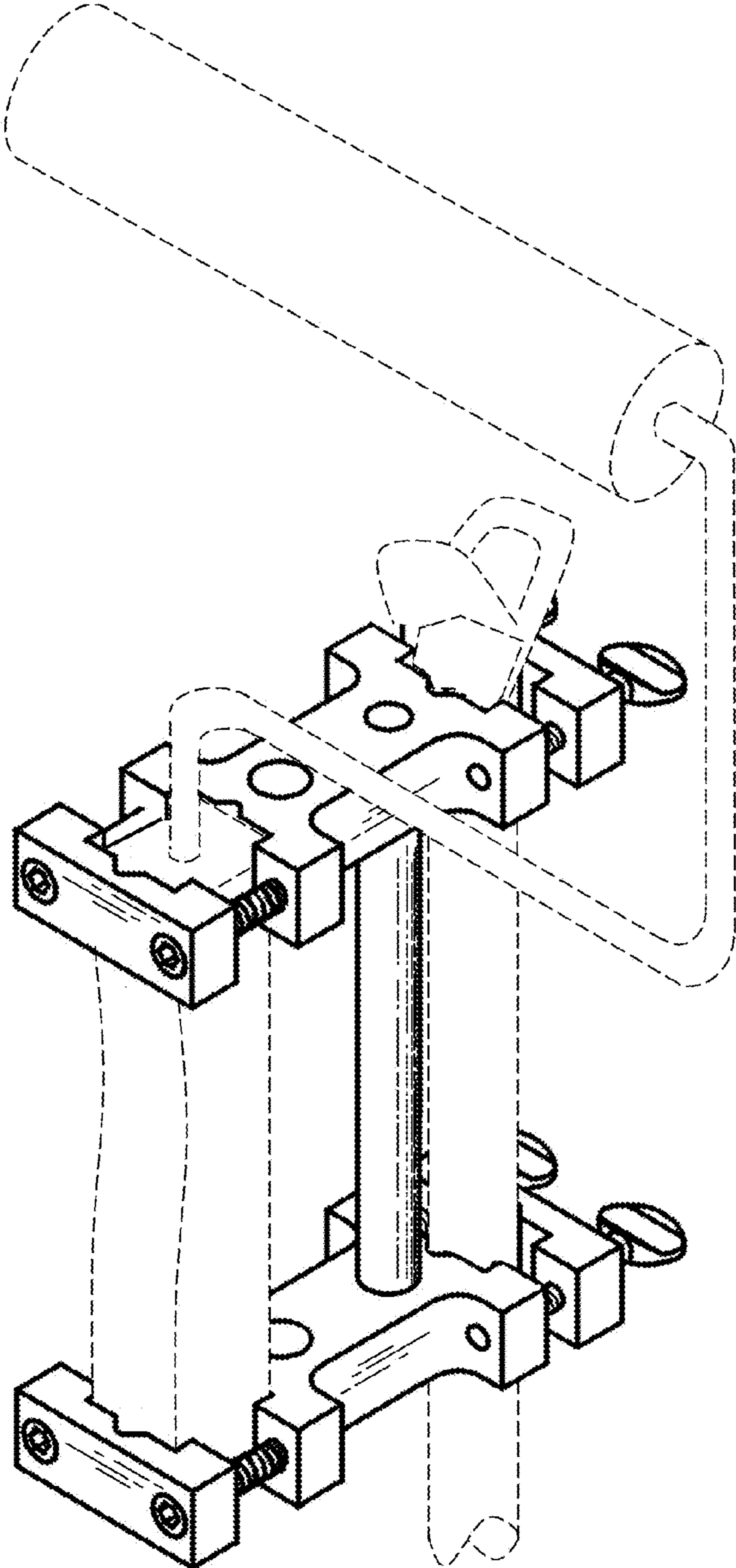


FIG. 1

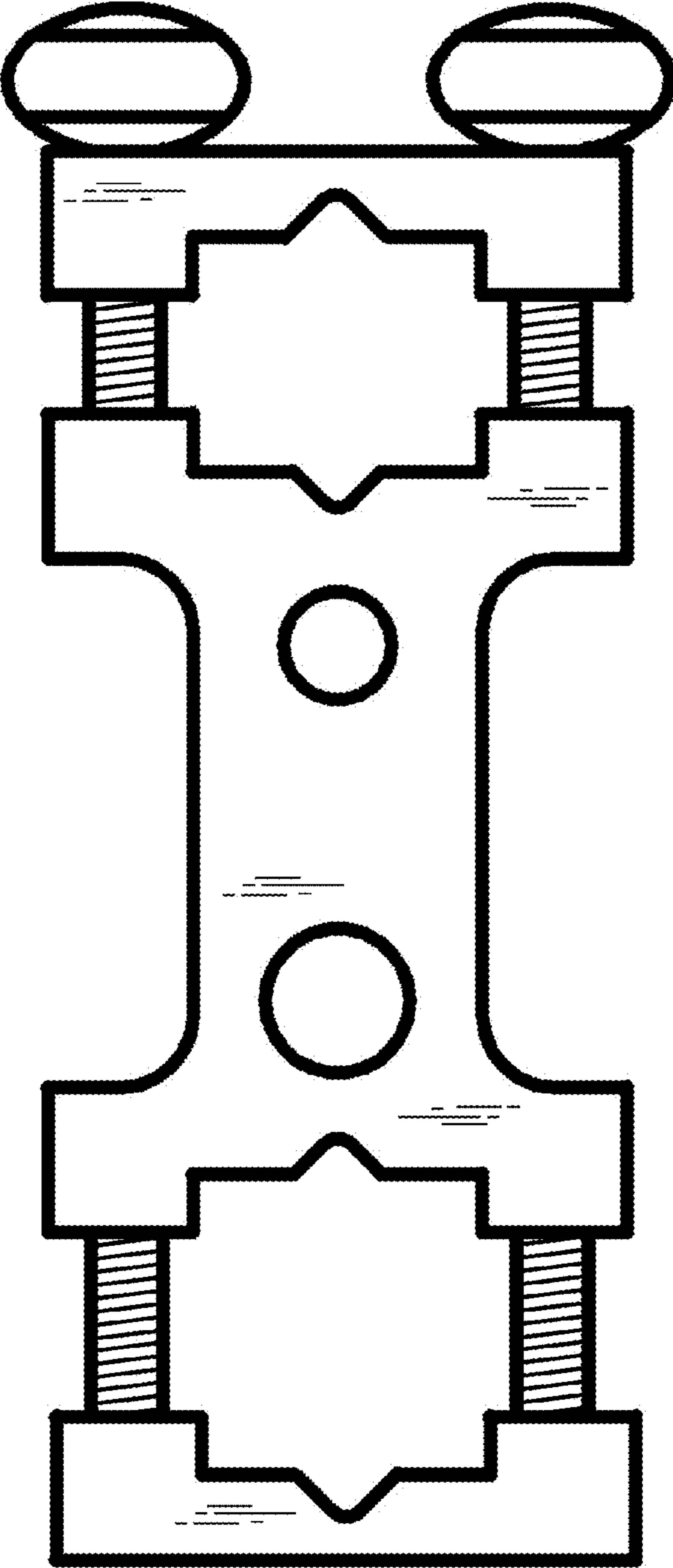


FIG. 2

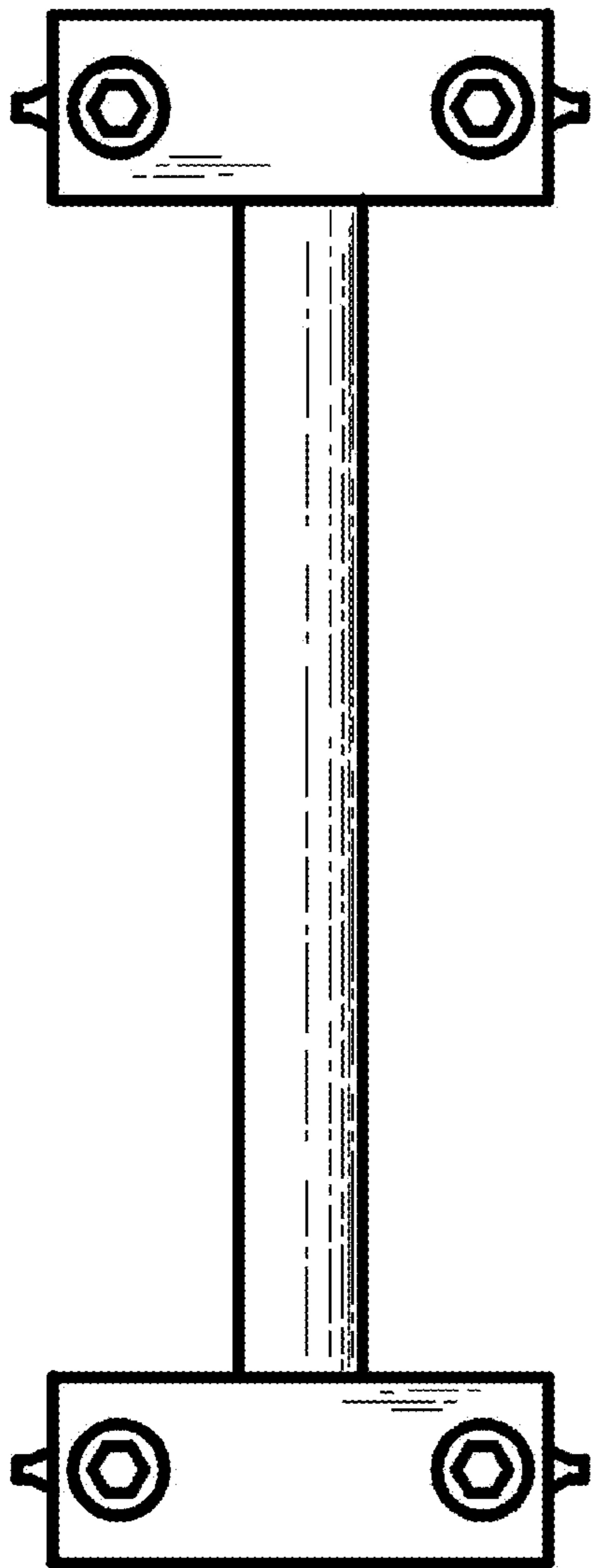


FIG. 3

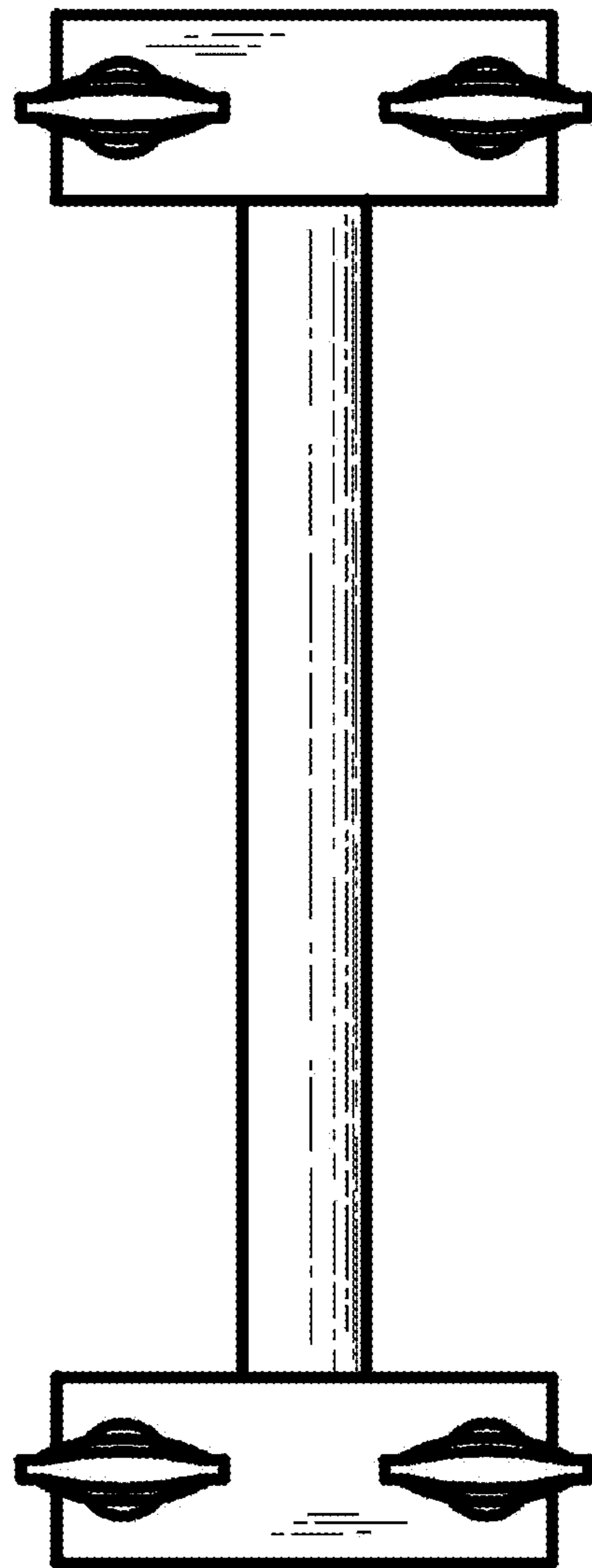


FIG. 4

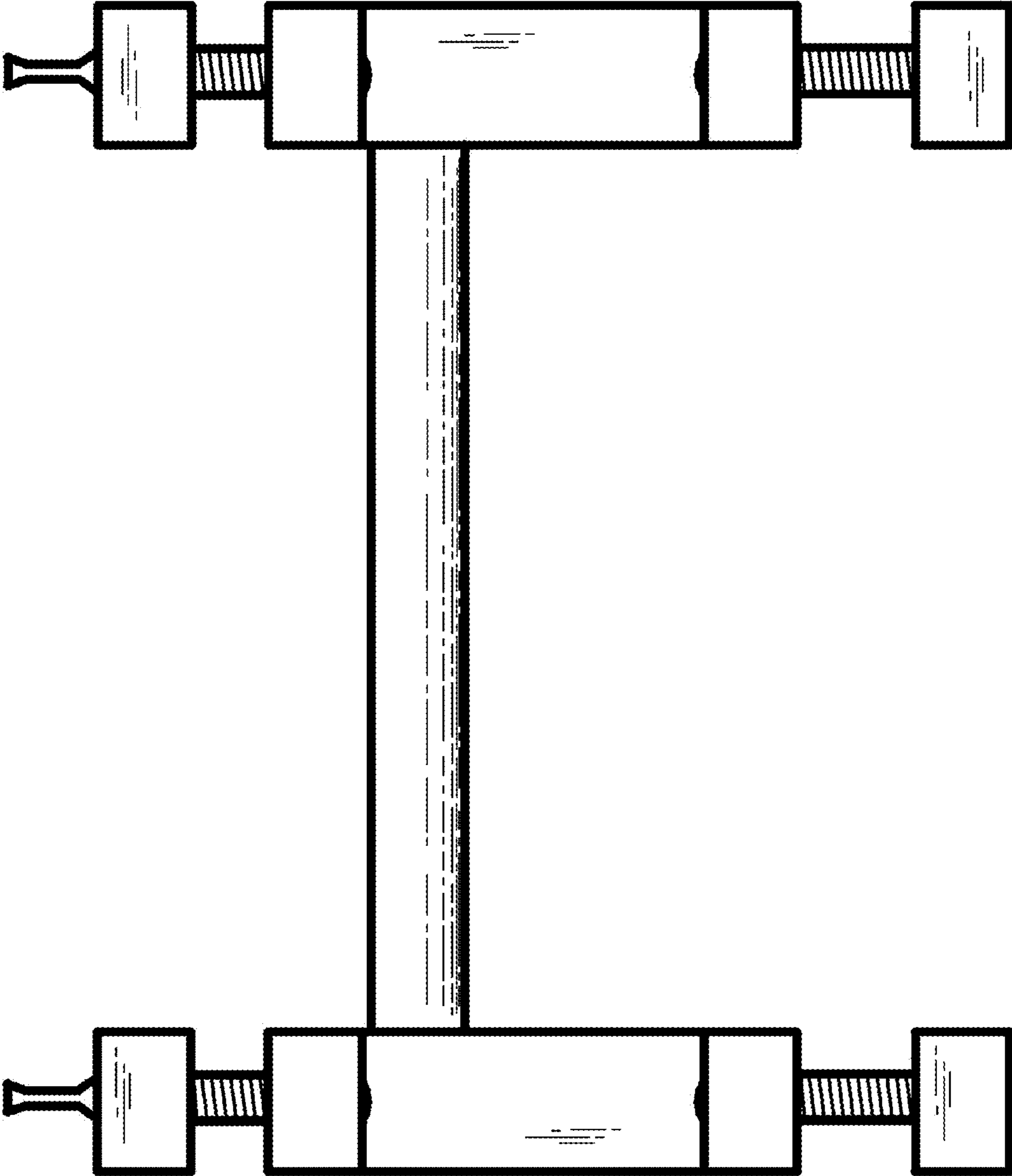


FIG. 5

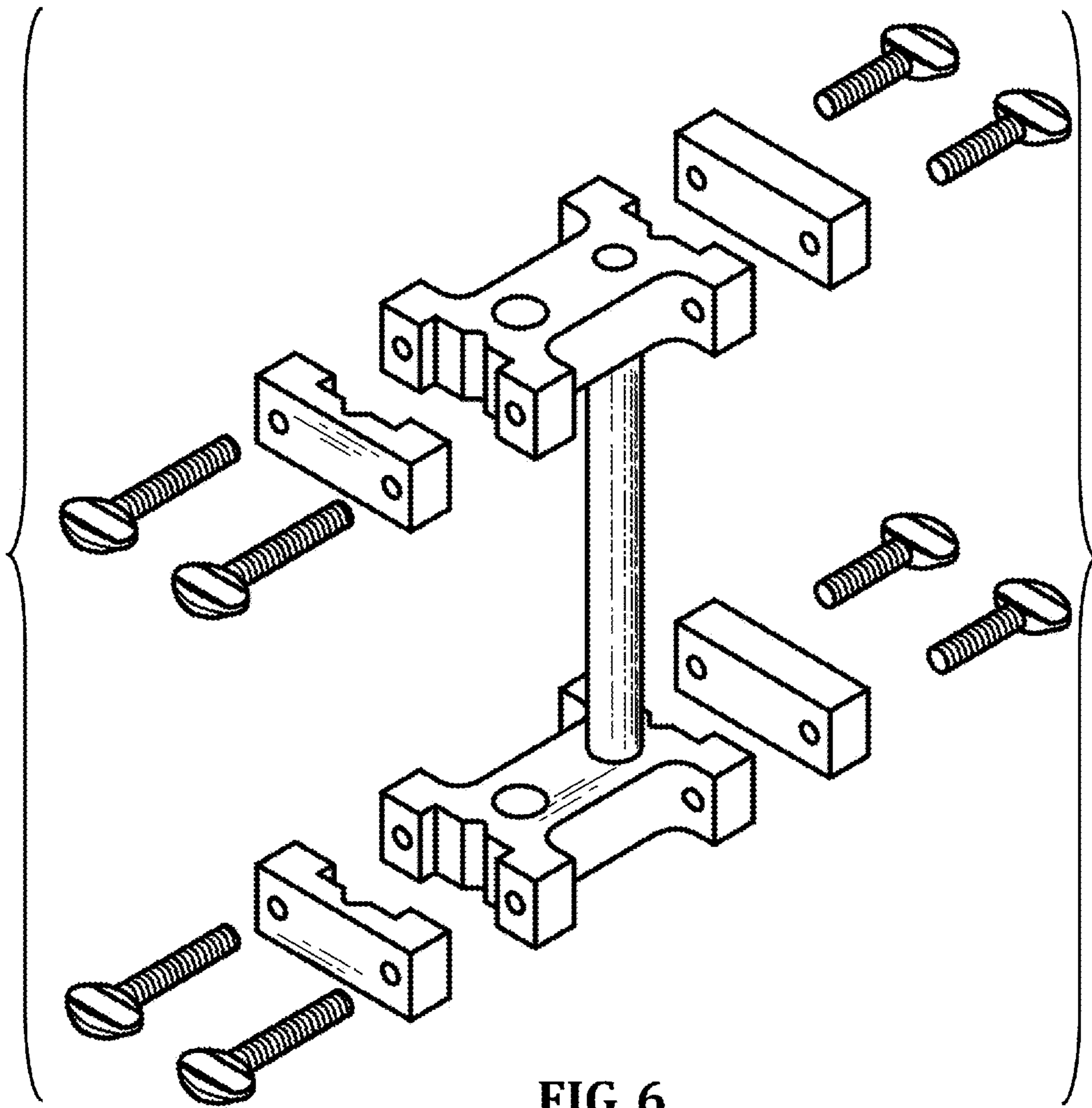


FIG. 6