



US00D764254S

(12) **United States Design Patent**
Zimmer

(10) **Patent No.:** **US D764,254 S**

(45) **Date of Patent:** **** Aug. 23, 2016**

(54) **CABINET KNOB**

(71) Applicant: **Top Knobs USA, Inc.**, Hillsborough, NJ (US)

(72) Inventor: **Christine Zimmer**, Hillsborough, NJ (US)

(73) Assignee: **TOP KNOBE USA, INC.**, Hillsborough, NJ (US)

(**) Term: **14 Years**

(21) Appl. No.: **29/514,365**

(22) Filed: **Jan. 12, 2015**

(51) **LOC (10) Cl.** **08-06**

(52) **U.S. Cl.**
USPC **D8/307**

(58) **Field of Classification Search**
USPC D8/300, 305, 307, 393, DIG. 1, DIG. 2;
D7/393; D23/250, 254; 16/110.1, 413,
16/414, 415, 417, 422, 441, DIG. 30;
292/336.3, 347

CPC ... Y10T 292/57; Y10T 292/82; Y10T 16/469;
Y10T 16/44; Y10T 16/506; Y10T 292/85;
Y10T 16/458; Y10T 74/2084; Y10T 16/46;
Y10T 16/459; Y10T 74/20732; Y10T 292/03;
Y10T 16/4713; Y10T 16/466; Y10T 292/88;
Y10T 29/49599; Y10T 16/487; Y10T 16/462;
Y10T 16/4636; Y10T 74/20864; Y10T
70/5155; Y10T 16/4559; Y10T 292/0951;
Y10T 292/0891; Y10T 292/0934; Y10T
292/0968; E05B 1/0007; E05B 1/0015;
E05B 79/06; E05B 85/10; E05B 1/0053;
E05B 55/005; E05B 1/00; E05B 85/107;
E05B 3/00

See application file for complete search history.

(56) **References Cited**

U.S. PATENT DOCUMENTS

D64,095 S *	2/1924	Yates	D8/307
D540,142 S *	4/2007	Rexach	D8/307
D565,925 S *	4/2008	Mattson	D8/307
D568,712 S *	5/2008	Ricereto	D8/305
D643,276 S *	8/2011	Roe	D8/307
D679,978 S *	4/2013	Ramsland	D8/305
D708,040 S *	7/2014	Han	D8/307
D728,343 S *	5/2015	Han	D8/307

* cited by examiner

Primary Examiner — Derrick Holland

Assistant Examiner — Lauren Calve

(74) *Attorney, Agent, or Firm* — Schultz & Associates, P.C.

(57) **CLAIM**

The ornamental design for a cabinet knob, as shown and described.

DESCRIPTION

FIG. 1 is a perspective view of a cabinet knob showing my new design;

FIG. 2 is a side elevation view thereof;

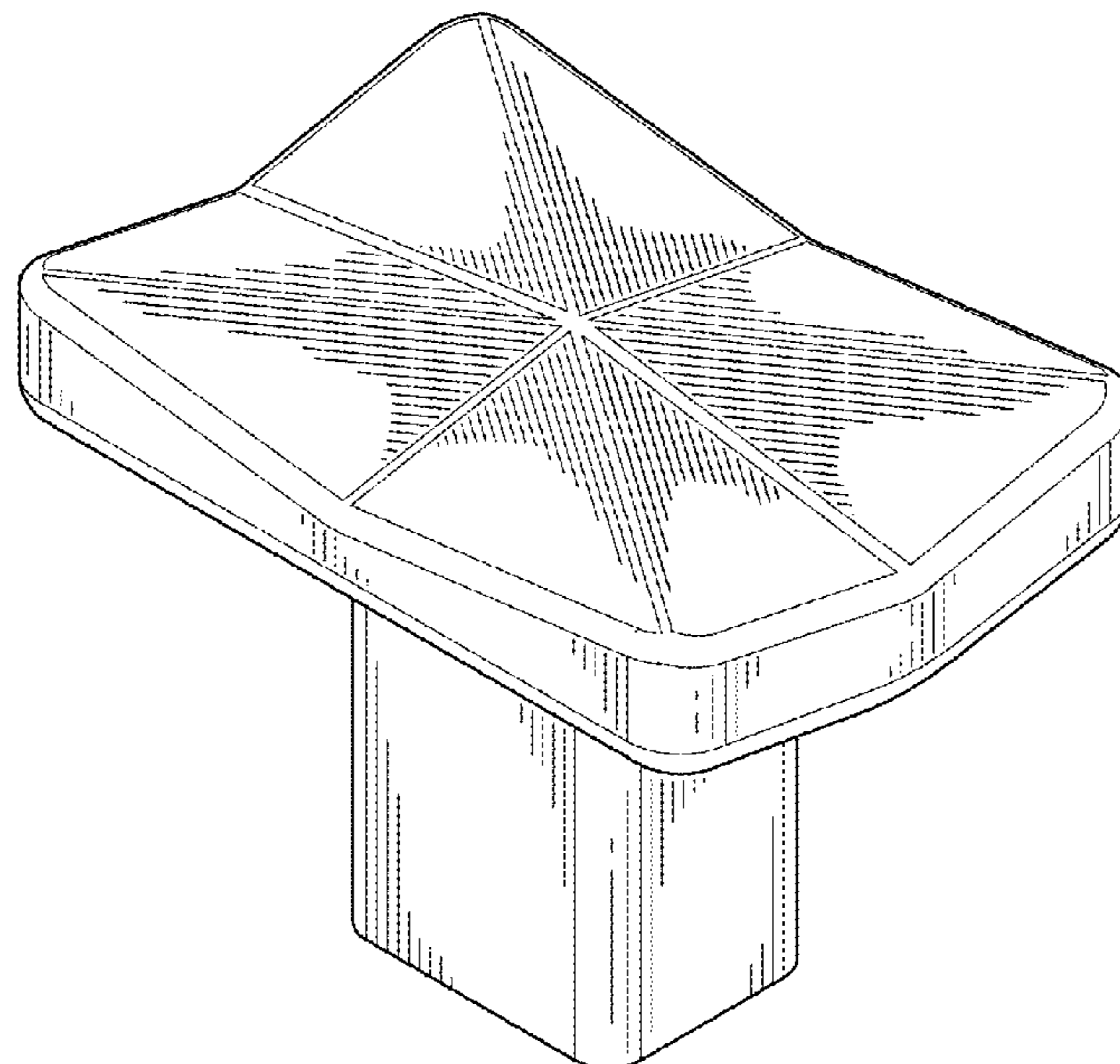
FIG. 3 is a second side elevation view thereof; and,

FIG. 4 is a top plan view thereof; and,

FIG. 5 is a bottom plan view thereof.

The broken lines shown represent unclaimed subject matter and form no part of the claimed design.

1 Claim, 2 Drawing Sheets



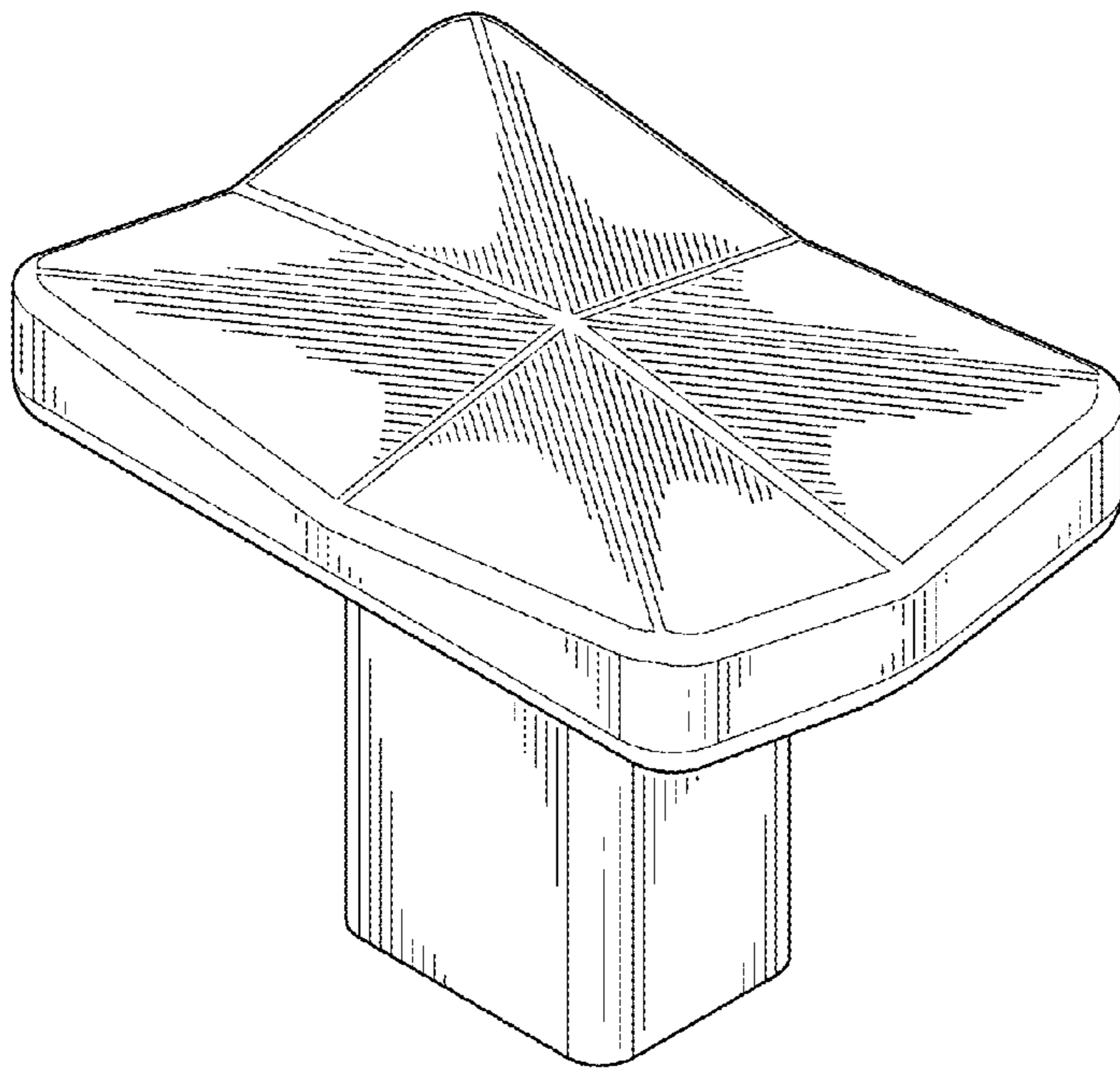


FIG. 1

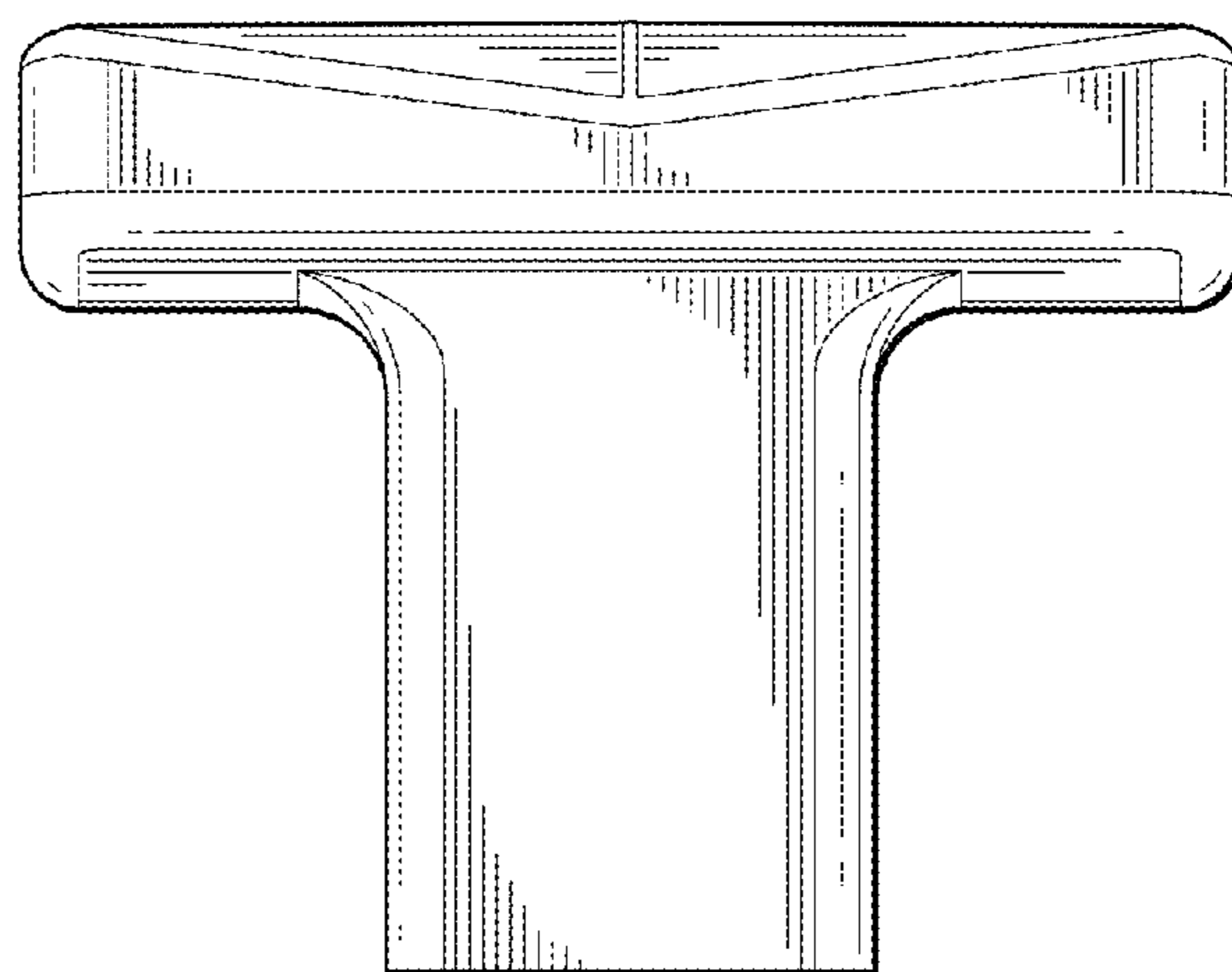


FIG. 2

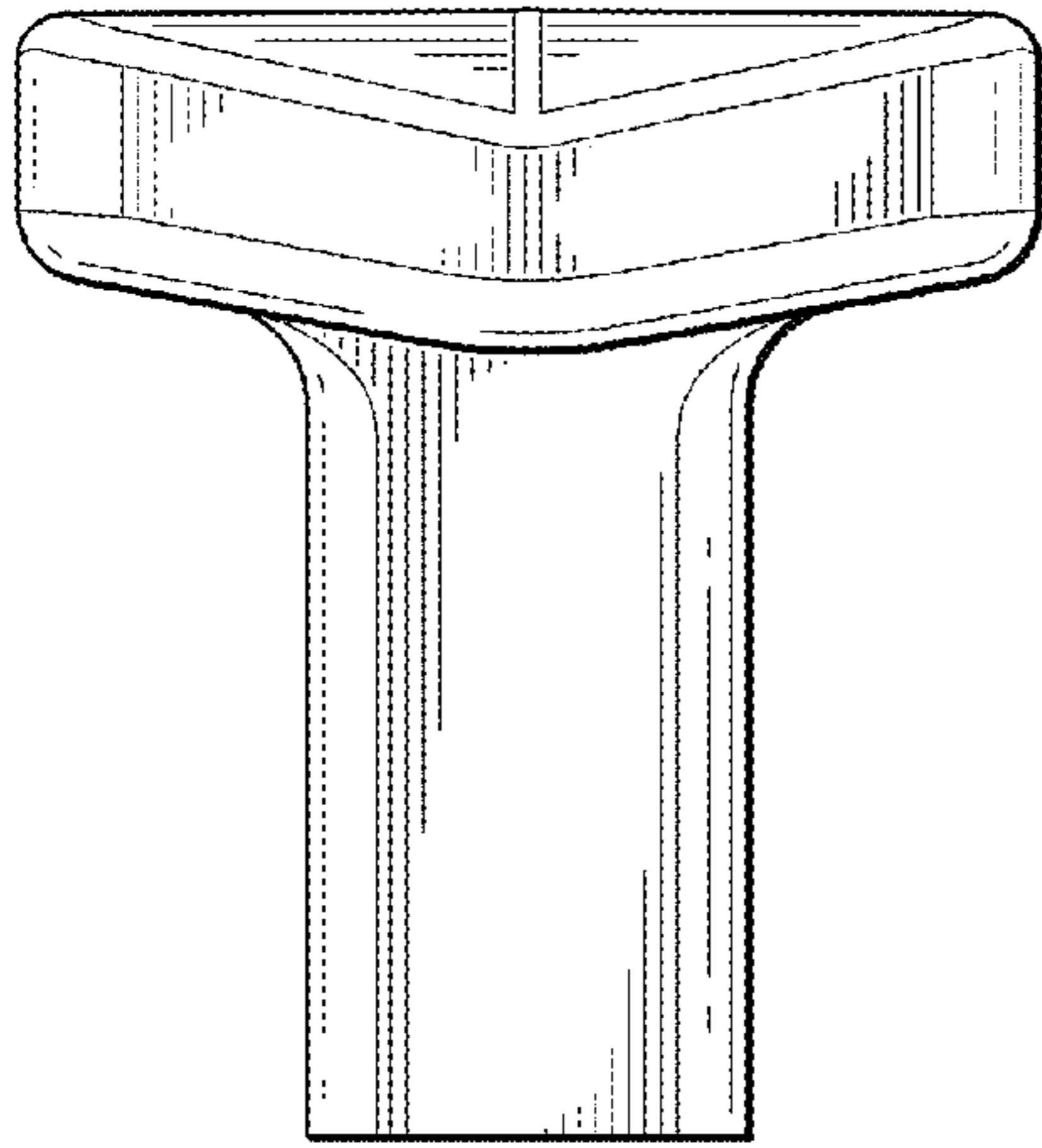


FIG. 3

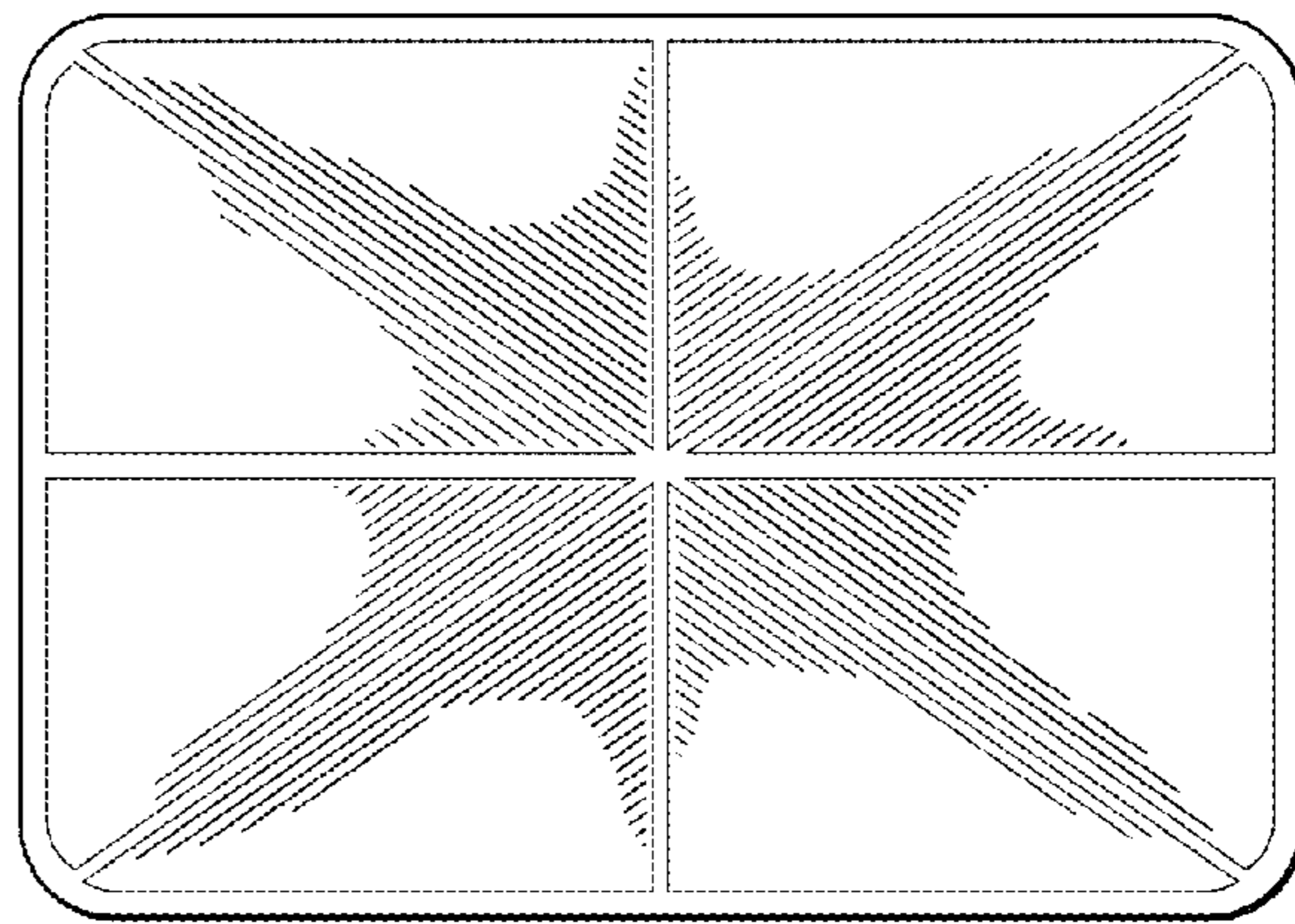


FIG. 4

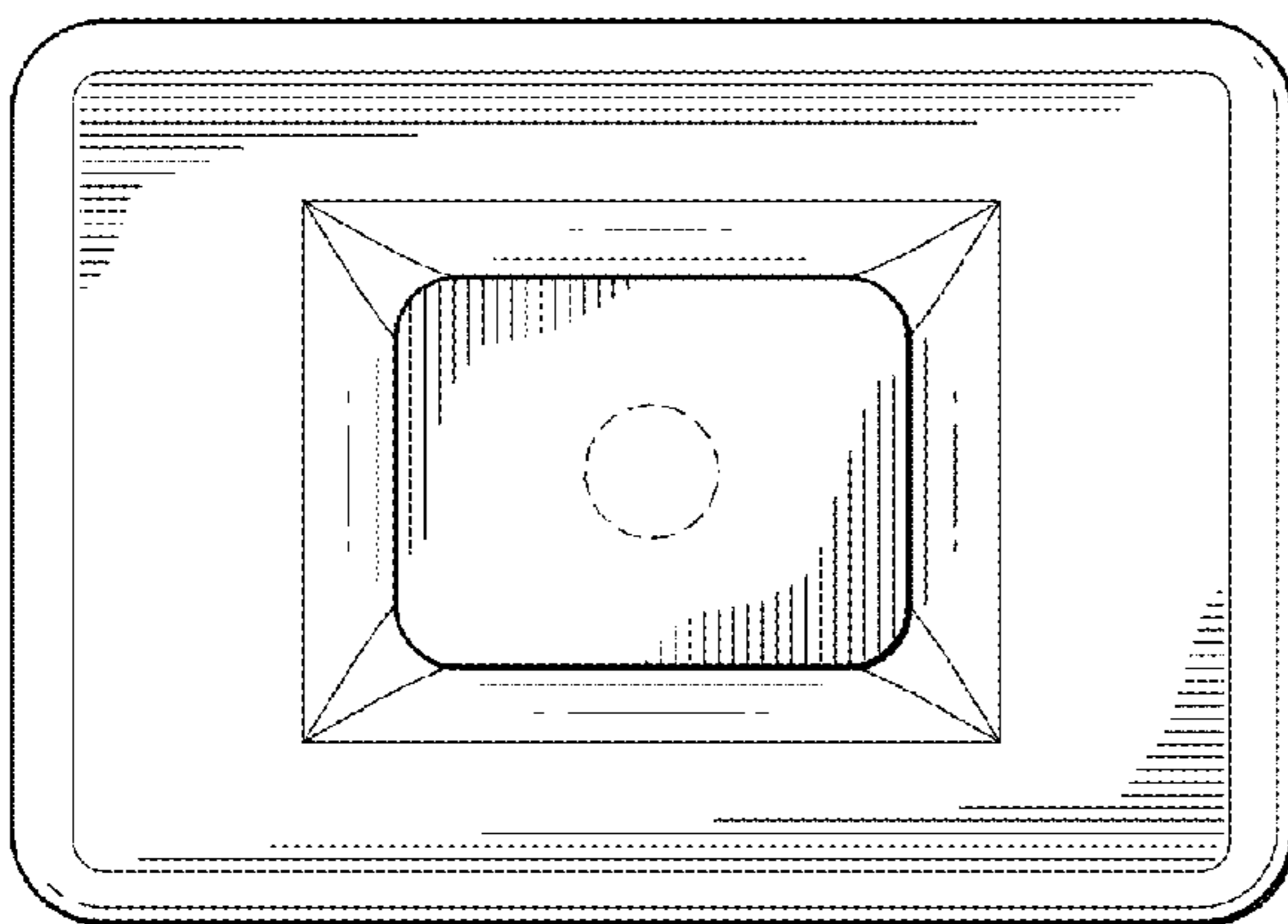


FIG. 5

UNITED STATES PATENT AND TRADEMARK OFFICE
CERTIFICATE OF CORRECTION

PATENT NO. : D764,254 S
APPLICATION NO. : 29/514365
DATED : August 23, 2016
INVENTOR(S) : Christine Zimmer

Page 1 of 1

It is certified that error appears in the above-identified patent and that said Letters Patent is hereby corrected as shown below:

On the Title Page

(73) Assignee: change "TOP KNOBE USA, INC." to --TOP KNOBS USA, INC.--

Signed and Sealed this
Eighteenth Day of October, 2016



Michelle K. Lee
Director of the United States Patent and Trademark Office