



US00D764252S

(12) **United States Design Patent** (10) **Patent No.:** **US D764,252 S**  
**Klecker et al.** (45) **Date of Patent:** **\*\* Aug. 23, 2016**

(54) **GUN TOOL**

OTHER PUBLICATIONS

(71) Applicants: **Glenn Klecker**, Silverton, OR (US);  
**Ryan Jacobson**, Minneapolis, MN (US)

<http://www.thefirearmblog.com/blog/2014/04/28/nra-2014-avid-ar-15-firearm-multi-tools/> Posted Apr. 28, 2014.\*

(Continued)

(72) Inventors: **Glenn Klecker**, Silverton, OR (US);  
**Ryan Jacobson**, Minneapolis, MN (US)

*Primary Examiner* — Susan Bennett Hattan  
*Assistant Examiner* — Leanne Was

(73) Assignee: **Revo Brand Group, LLC**, Plymouth,  
MN (US)

(74) *Attorney, Agent, or Firm* — Adams Grumbles, LLP;  
Brittany Nanzig

(\*\*) Term: **14 Years**

(57) **CLAIM**

The ornamental design for a gun tool, as shown and described.

(21) Appl. No.: **29/497,446**

**DESCRIPTION**

(22) Filed: **Jul. 24, 2014**

(51) **LOC (10) Cl.** ..... **08-05**

(52) **U.S. Cl.**  
USPC ..... **D8/105**

(58) **Field of Classification Search**  
USPC ..... D8/4, 5, 6, 7, 9, 26, 51, 52, 55, 58, 98,  
D8/99, 105, 106, 107; D19/65; 7/118,  
7/125-135, 137, 138, 143, 144, 160, 164,  
7/165, 167, 170; 30/152, 153, 155, 161,  
30/162, 164, 298.4; 81/20-28, 177.1,  
81/177.2, 177.4, 177.6, 427.5, 440, 488,  
81/490, 492

See application file for complete search history.

FIG. 1 is a front elevational view of a gun tool showing our new design; the broken lines in the drawing depict portions of the gun tool that form no part of the claimed design.

FIG. 2 is a back elevational view of the gun tool; the broken lines in the drawing depict portions of the gun tool that form no part of the claimed design.

FIG. 3 is a left side elevational view of the gun tool; the broken lines in the drawing depict portions of the gun tool that form no part of the claimed design.

FIG. 4 is a right side elevational view of the gun tool; the broken lines in the drawing depict portions of the gun tool that form no part of the claimed design.

FIG. 5 is a top elevational view of the gun tool; the broken lines in the drawing depict portions of the gun tool that form no part of the claimed design.

FIG. 6 is a bottom elevational view of the gun tool; the broken lines in the drawing depict portions of the gun tool that form no part of the claimed design.

FIG. 7 is a front right side perspective view of the gun tool; the broken lines in the drawing depict portions of the gun tool that form no part of the claimed design; and,

FIG. 8 is a front left side perspective view of the gun tool; the broken lines in the drawing depict portions of the gun tool that form no part of the claimed design.

(56) **References Cited**

U.S. PATENT DOCUMENTS

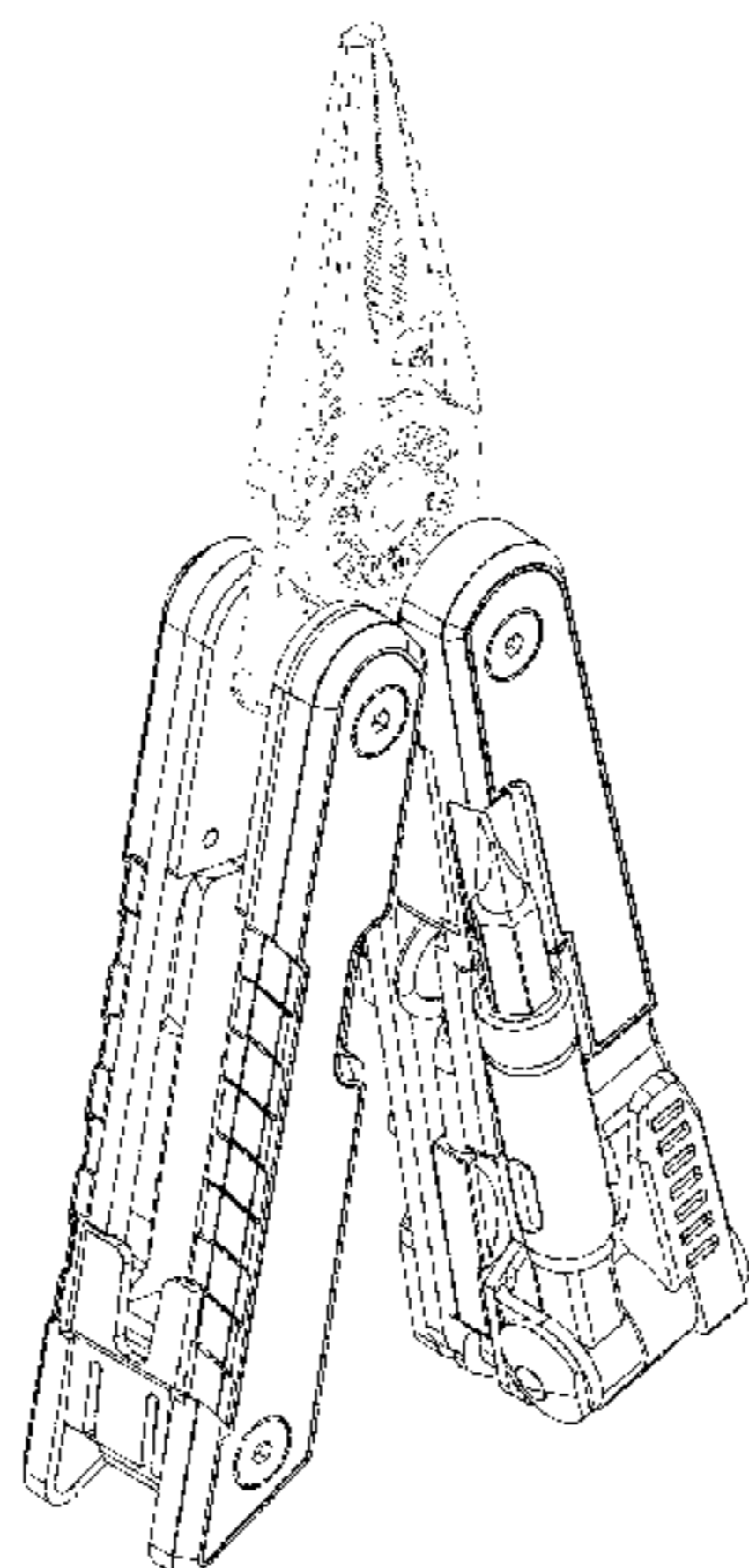
D411,946 S \* 7/1999 Yeh ..... D8/55  
D426,447 S \* 6/2000 Chau ..... D8/105  
D493,346 S \* 7/2004 Ping ..... D8/107

(Continued)

FOREIGN PATENT DOCUMENTS

WO D080040-003 \* 1/2013

**1 Claim, 7 Drawing Sheets**



(56)

References Cited

U.S. PATENT DOCUMENTS

D499,622 S \* 12/2004 Rivera et al. .... D8/55  
 D502,856 S \* 3/2005 Ping ..... D8/107  
 D521,829 S \* 5/2006 Yale et al. .... D8/52  
 7,051,627 B2 \* 5/2006 Rivera ..... 81/440  
 D542,107 S \* 5/2007 Yale et al. .... D8/52  
 D543,084 S \* 5/2007 Yale ..... D8/105  
 7,353,736 B2 \* 4/2008 Poehlmann ..... 81/427.5  
 D623,039 S \* 9/2010 Seeds et al. .... D8/107  
 D627,202 S \* 11/2010 Steineckert et al. .... D8/55  
 D635,002 S \* 3/2011 Rivera et al. .... D8/105  
 D635,004 S \* 3/2011 Rivera et al. .... D8/105  
 7,926,136 B2 \* 4/2011 Yale et al. .... 7/125  
 D654,344 S \* 2/2012 Rivera et al. .... D8/105  
 D660,126 S \* 5/2012 Cagampang et al. .... D8/105  
 8,166,850 B2 \* 5/2012 Caniparoli et al. .... 81/427.5  
 D711,207 S \* 8/2014 Seeds et al. .... D8/105  
 D716,128 S \* 10/2014 Stokes et al. .... D8/105  
 D719,432 S \* 12/2014 Leach et al. .... D8/105  
 2005/0150333 A1 \* 7/2005 Rivera et al. .... 81/450  
 2009/0308212 A1 \* 12/2009 Hernandez ..... 81/488  
 2011/0145998 A1 \* 6/2011 Caniparoli et al. .... 7/129  
 2011/0314719 A1 12/2011 Tripp  
 2012/0227187 A1 \* 9/2012 Caniparoli et al. .... 7/128

OTHER PUBLICATIONS

Multitasker Tools, LLC; The Pocket Toolbox for Your AR; <http://www.multitaskertools.com>.  
 Leatherman Tool Group, Inc.; Wave—Leatherman; 2004; <http://www.leatherman.com/10.html>.  
 OTIS Technology; MSR/AR Cleaning System; 2010; [http://www.otistec.com/pc\\_product\\_detail.asp?key=C0167D85867D48FDAB5410F70983C132](http://www.otistec.com/pc_product_detail.asp?key=C0167D85867D48FDAB5410F70983C132).  
 OTIS Technology; Tactical Cleaning System; 2010; [http://www.otistec.com/pc\\_product\\_detail.asp?key=B9DC009A351C4D44BE717B4E656E7CDA](http://www.otistec.com/pc_product_detail.asp?key=B9DC009A351C4D44BE717B4E656E7CDA).  
 Leatherman Tool Group, Inc.; Leatherman MUT; 2012; <http://www.leatherman.com/29.html>.  
 Fiskars Brands, Inc.; eFECT Military Maintenance Tool; 2008; [http://www.gerbergear.com/Military/Gear/eFect\\_30-000030](http://www.gerbergear.com/Military/Gear/eFect_30-000030).  
 GunPundit; Brownells AR Multitasker Tool; 2009; <http://www.gunpundit.com/3032.php>.  
 Midway USA, Inc.; Samson Field Survivor AR-15 Tool Kit MagPul MIAD MOE Pistol Grip Black; 2011; <http://www.midwayusa.com/product/981463/samson-field-survivor-ar-15-tool-kit-for-magpul-miad-moe-pistol-grip-black>.

\* cited by examiner

FIG. 1

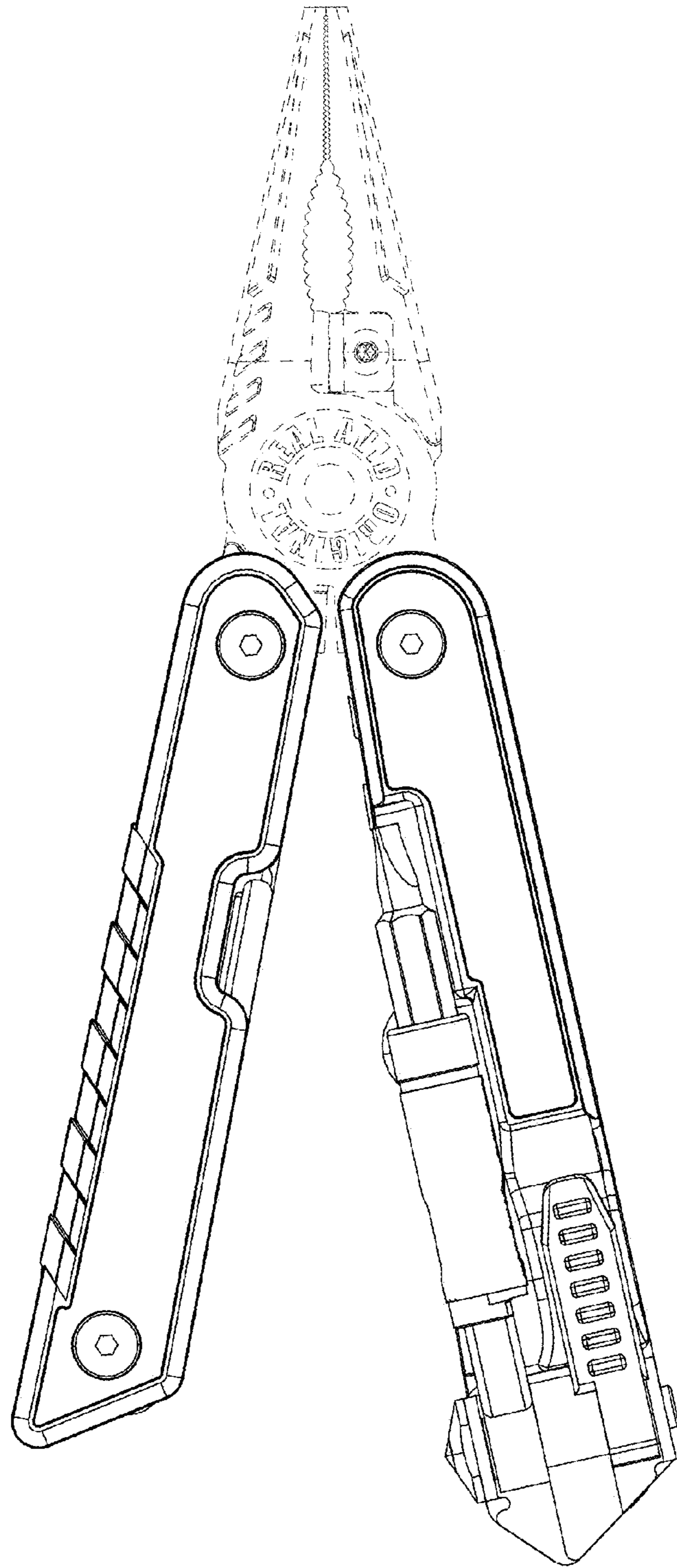


FIG. 2

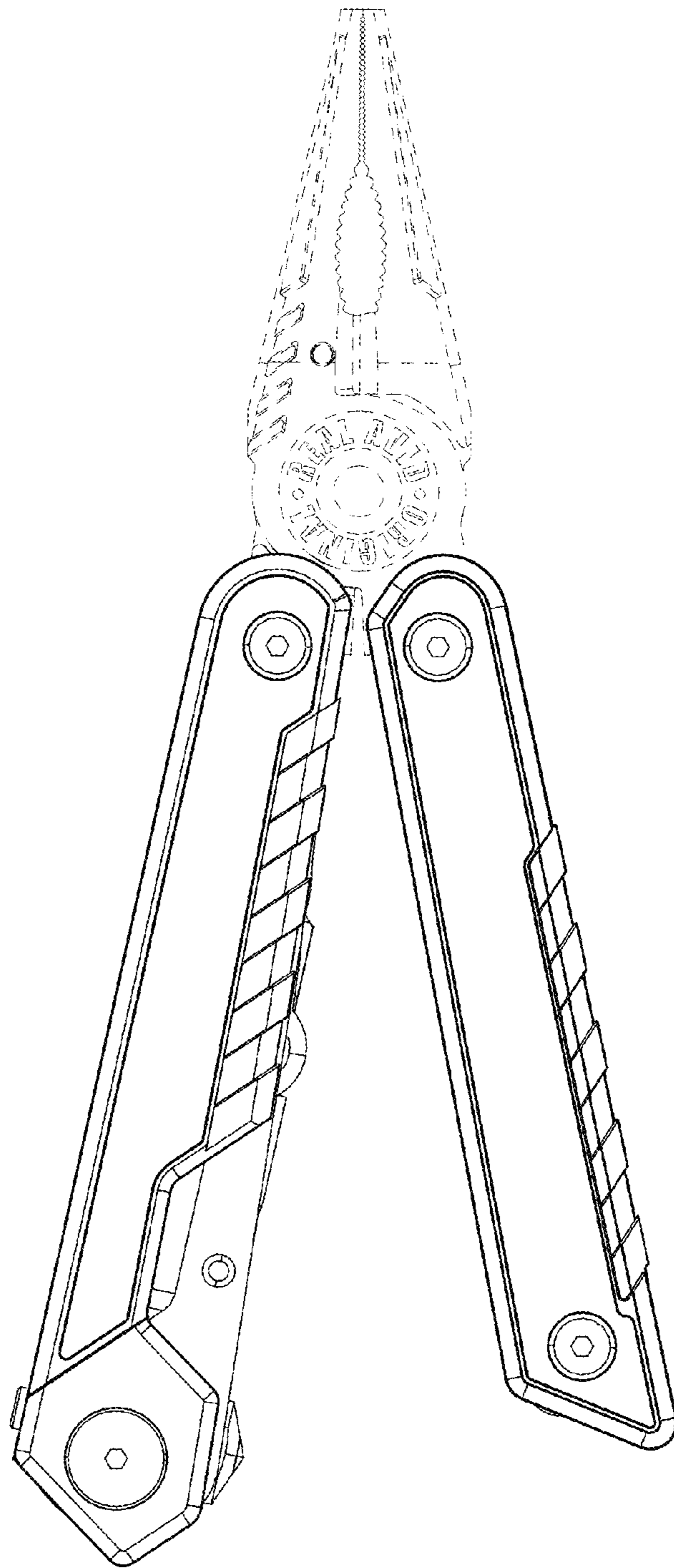


FIG. 3

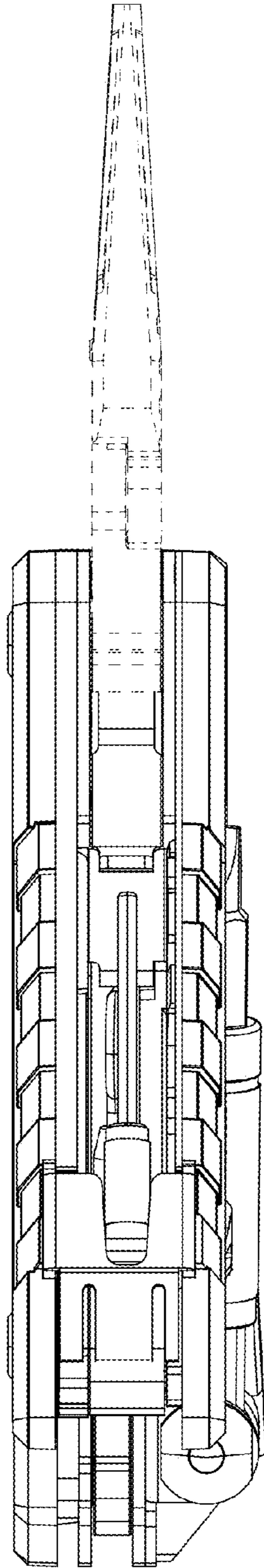


FIG. 4

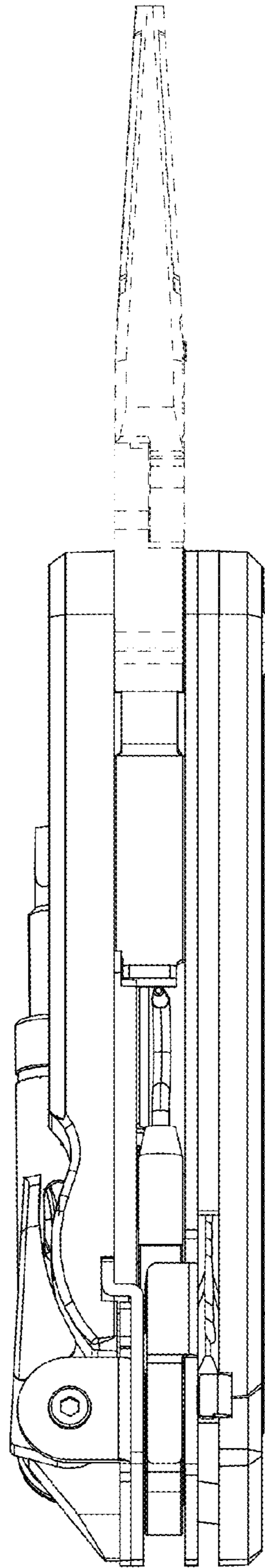


FIG. 5

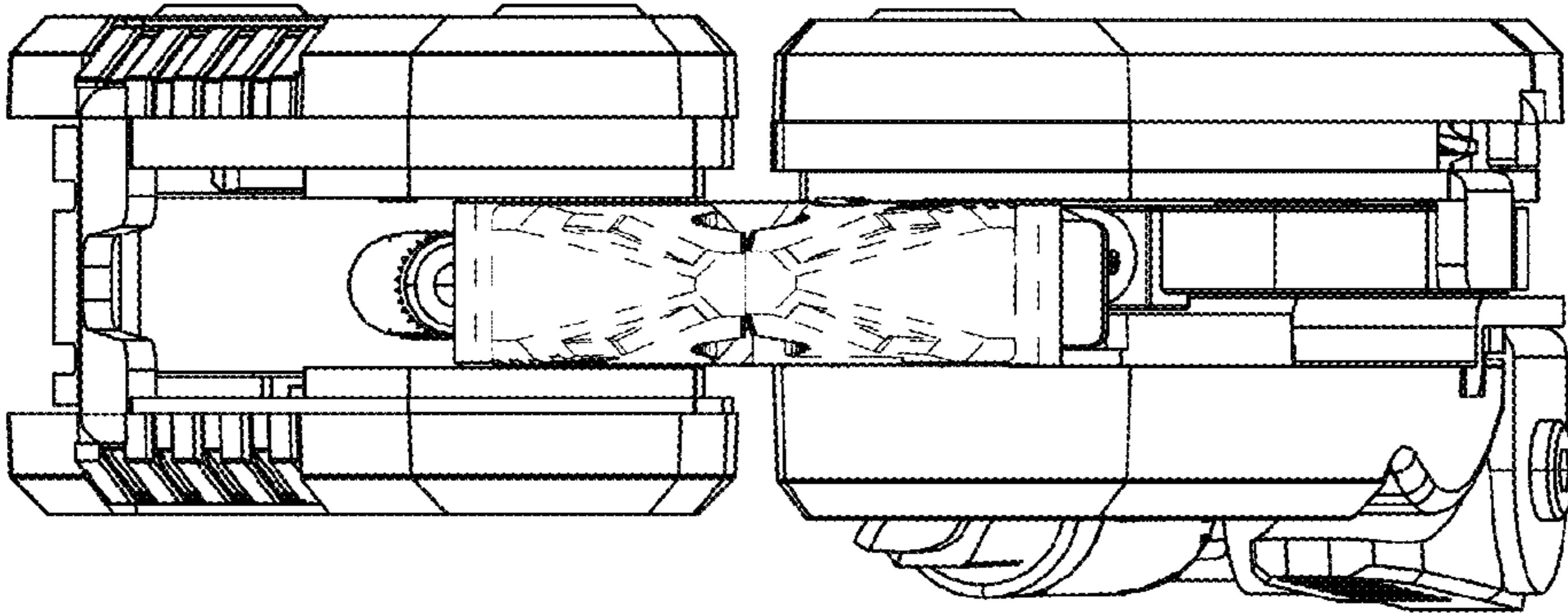


FIG. 6

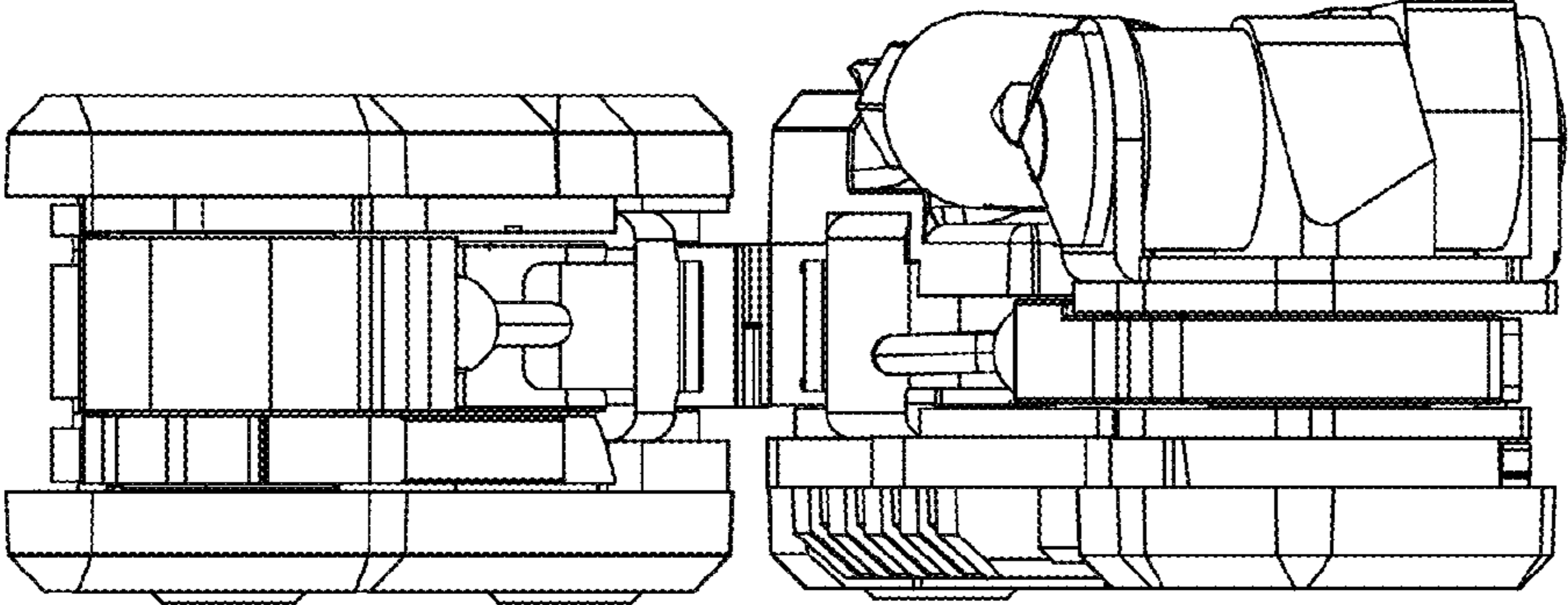


FIG. 7

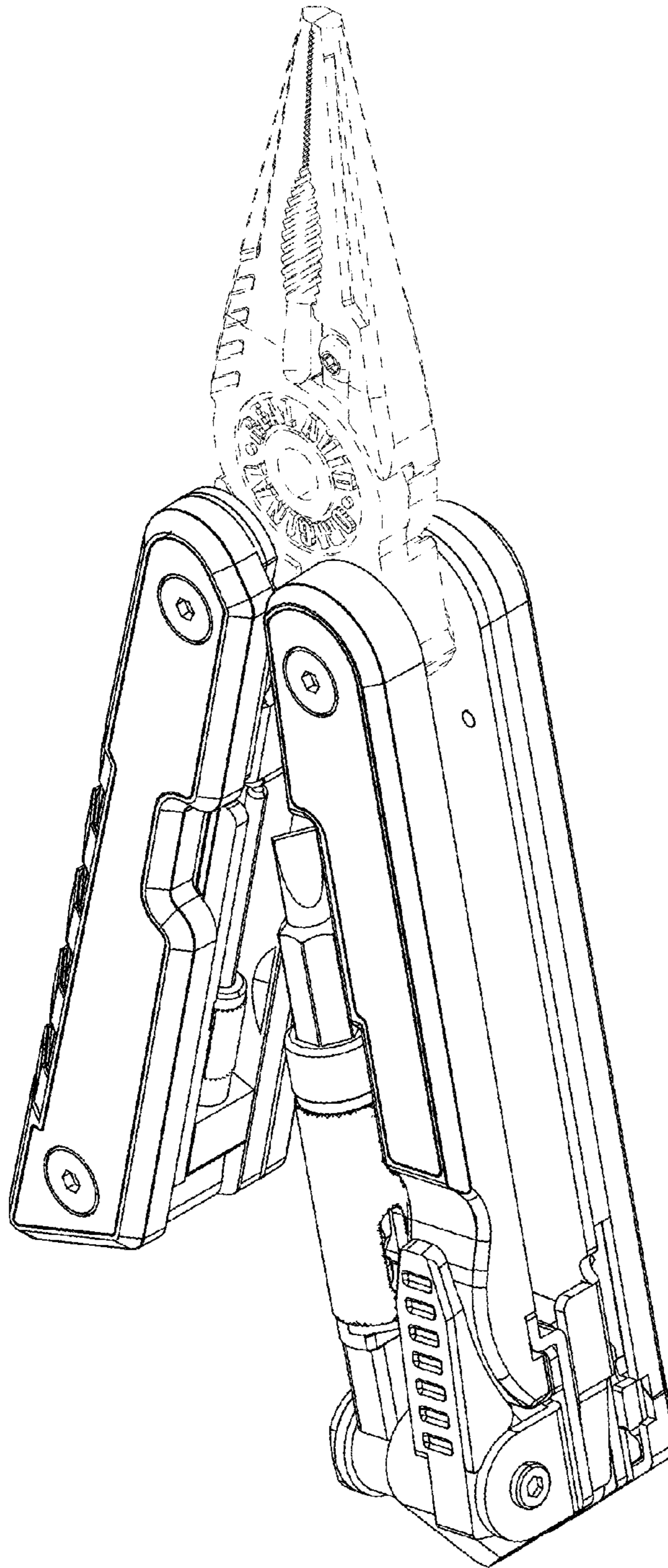




FIG. 8

