



US00D764250S

(12) **United States Design Patent**
Hsu

(10) **Patent No.:** **US D764,250 S**

(45) **Date of Patent:** **** Aug. 23, 2016**

(54) **TOOL BIT**

(71) Applicant: **Shao-Hsien Hsu**, Taichung (TW)

(72) Inventor: **Shao-Hsien Hsu**, Taichung (TW)

(**) Term: **15 Years**

(21) Appl. No.: **29/529,854**

(22) Filed: **Jun. 11, 2015**

(51) **LOC (10) Cl.** **08-04**

(52) **U.S. Cl.**
USPC **D8/86**

(58) **Field of Classification Search**
USPC D8/70, 82-87, 105; D15/139; 81/125,
81/177.1-177.7, 436, 438, 460-461
CPC B23B 2251/66; B23P 15/00; B25B 13/06;
B25B 13/5091; B25B 15/00; B25B 15/001;
B25B 15/002; B25B 15/004; B25B 15/005;
B25B 15/008; B25B 15/02; B25B 15/04;
B25B 17/00; B25B 21/007; B25B 23/00;
B25B 23/0035; B25B 23/005; B25B 23/12;
B25B 23/1405; B25B 27/18; B25B 31/12;
B25B 51/08; B25B 51/108

See application file for complete search history.

(56) **References Cited**

U.S. PATENT DOCUMENTS

4,880,122 A * 11/1989 Martindell B25H 3/003
206/374
D616,280 S * 5/2010 Su D8/86
D645,329 S * 9/2011 Hsu D8/86

* cited by examiner

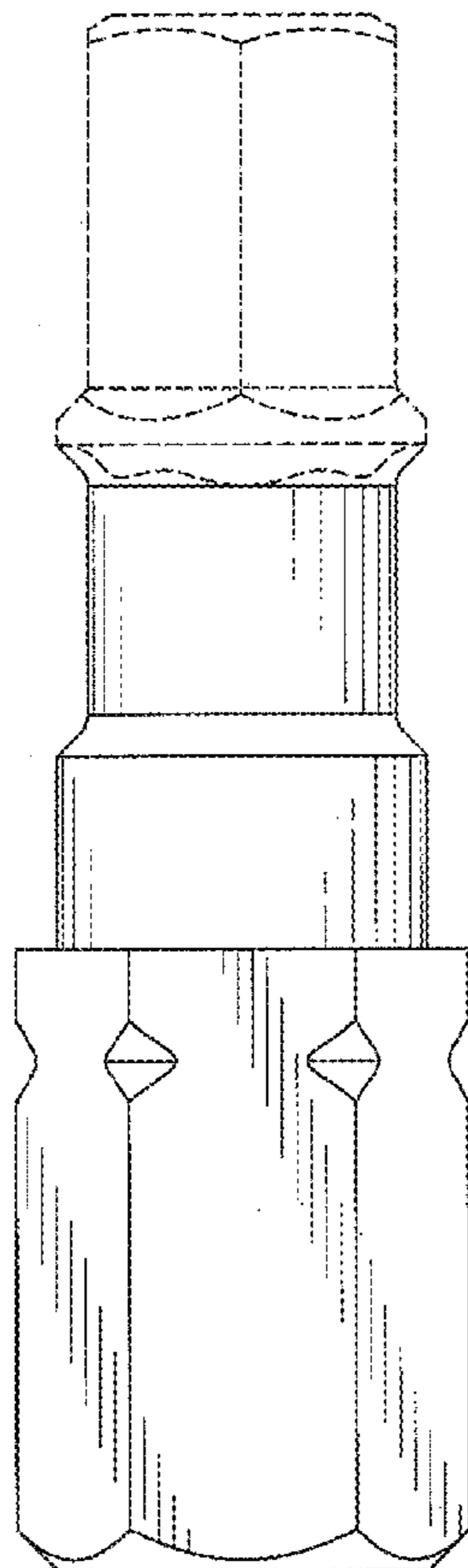
Primary Examiner — Philip S Hyder
Assistant Examiner — Roselynn Cody

(57) **CLAIM**
The ornamental design for a tool bit, as shown and described.

DESCRIPTION

FIG. 1 is a perspective view of a tool bit showing my new design;
FIG. 2 is a front elevational view thereof;
FIG. 3 is a rear elevational view thereof;
FIG. 4 is a left side view thereof;
FIG. 5 is a right side view thereof;
FIG. 6 is a top plan view thereof; and,
FIG. 7 is a bottom plan view thereof.
The broken lines in the drawings are for illustrative purposes only and form no part of the claimed design.

1 Claim, 6 Drawing Sheets



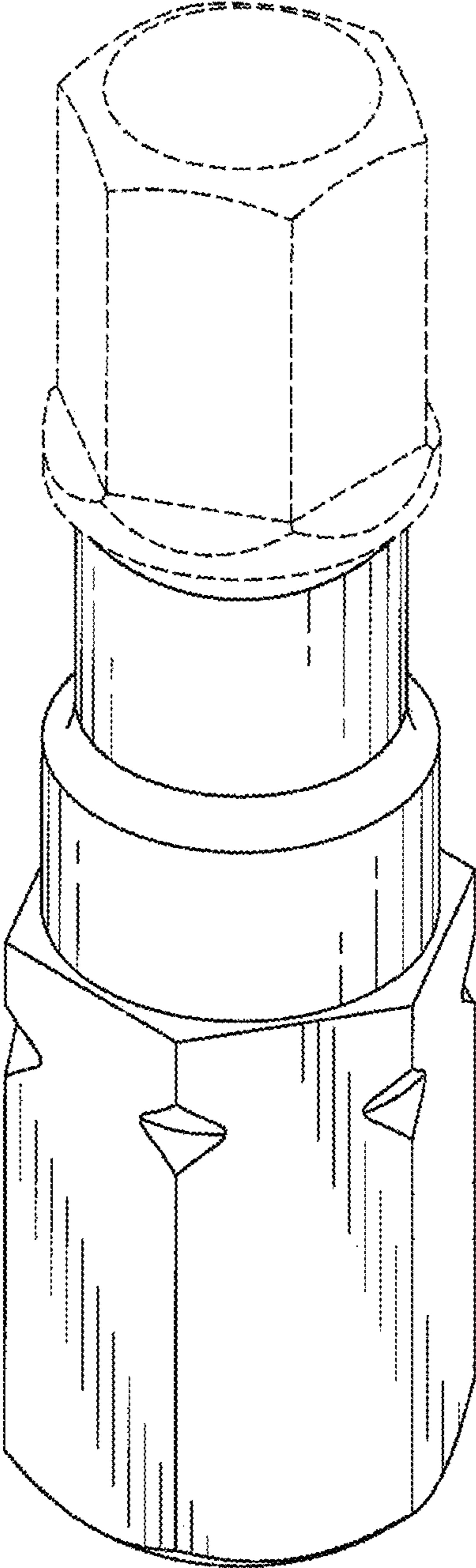


FIG.1

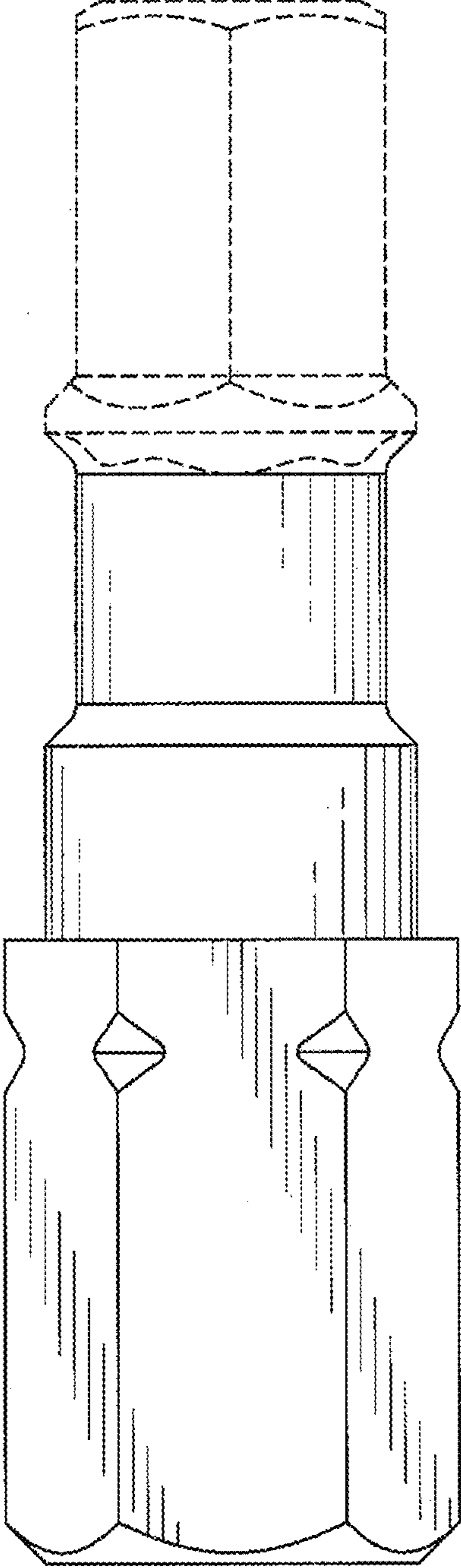


FIG.2

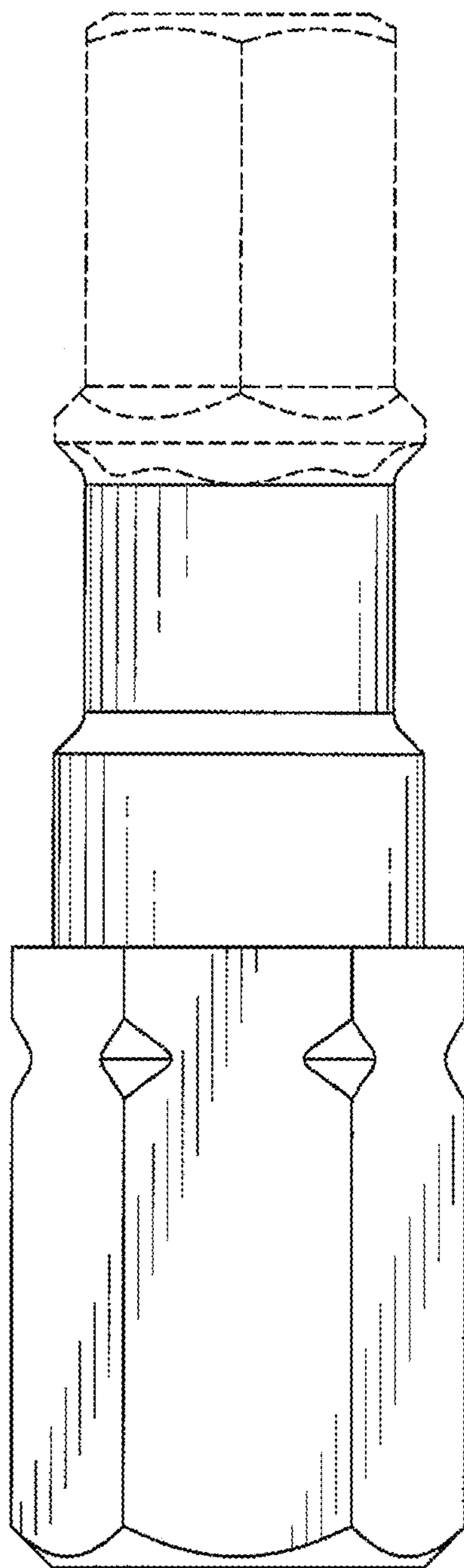


FIG.3

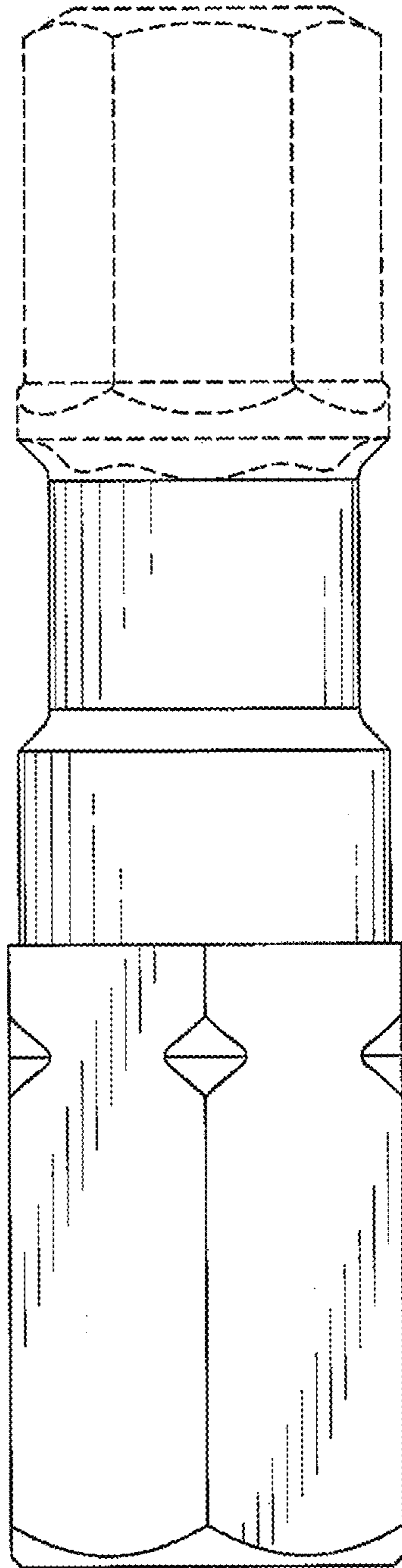


FIG.4

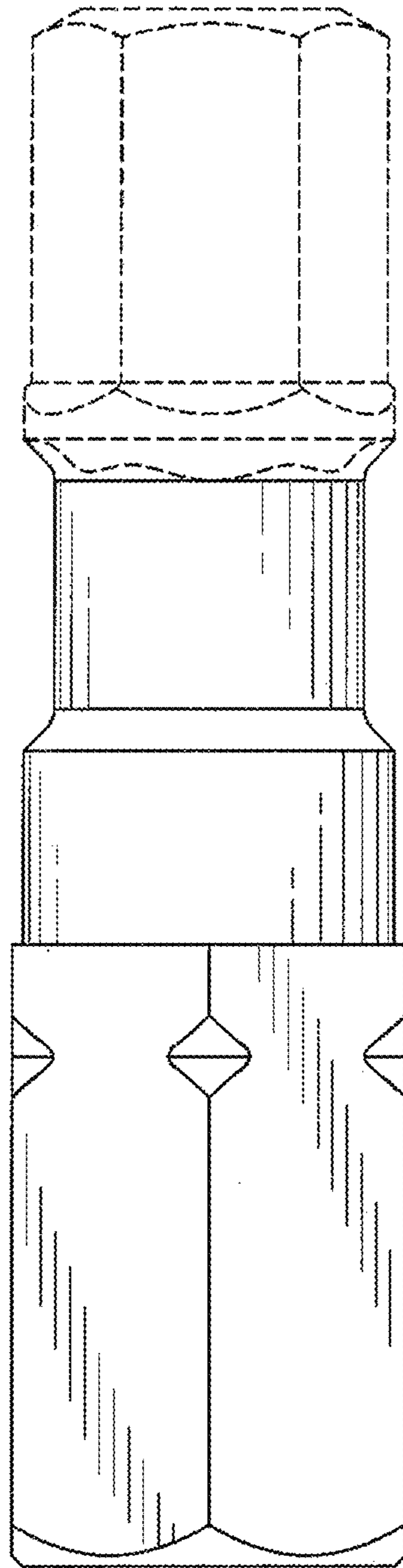


FIG.5

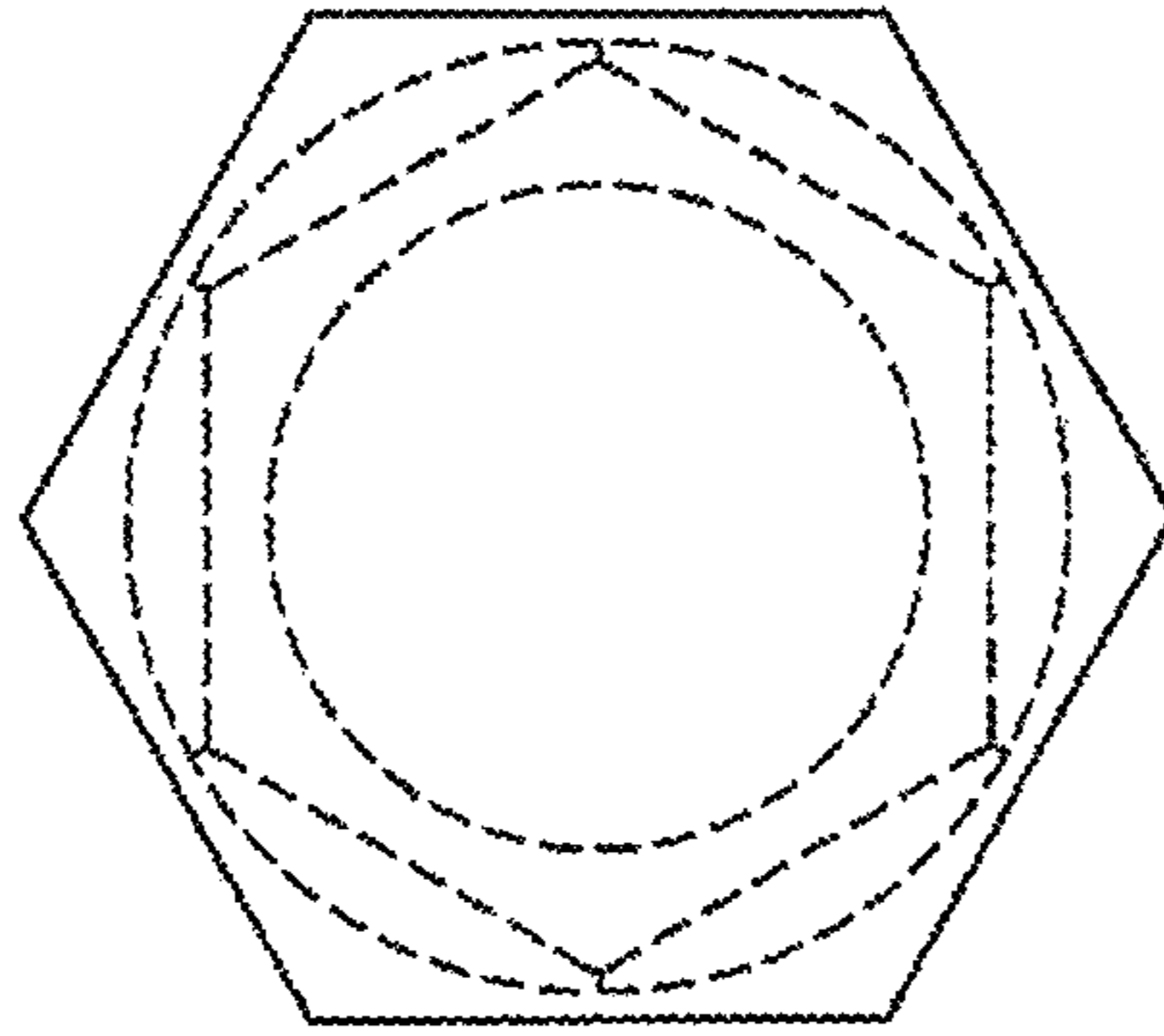


FIG. 6

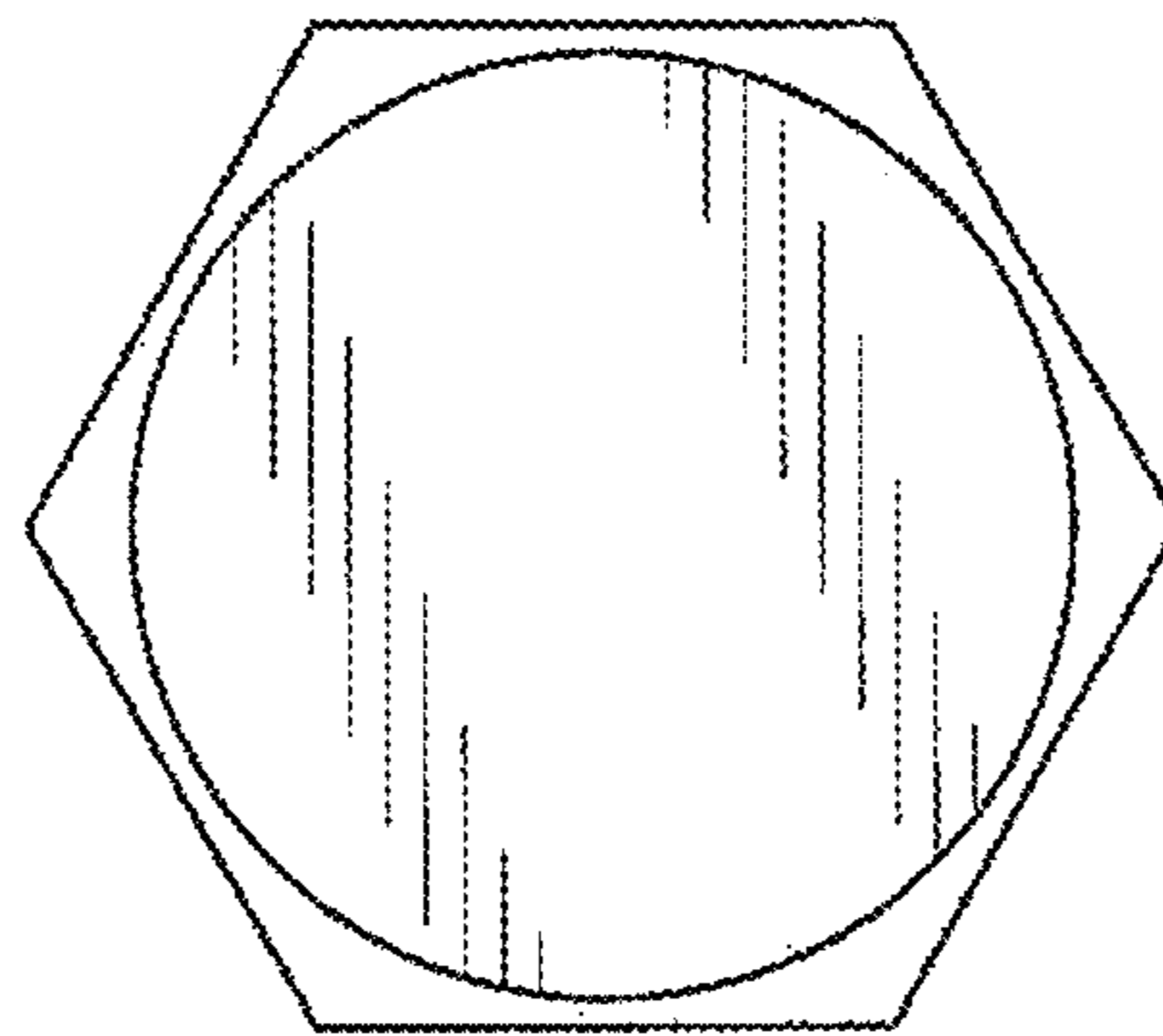


FIG. 7