



US00D764249S

(12) **United States Design Patent**
Deveci

(10) **Patent No.:** **US D764,249 S**
(45) **Date of Patent:** **** Aug. 23, 2016**

- (54) **ROD STIFFENER CLAMP**
- (71) Applicant: **Acrefine Engineering Services, Ltd.**,
Essex (GB)
- (72) Inventor: **Martin M. Deveci**, London (GB)
- (73) Assignee: **ACREFINE ENGINEERING SERVICES, LTD.** (GB)
- (**) Term: **14 Years**
- (21) Appl. No.: **29/506,526**
- (22) Filed: **Oct. 16, 2014**
- (51) **LOC (10) Cl.** **08-05**
- (52) **U.S. Cl.**
USPC **D8/72**
- (58) **Field of Classification Search**
USPC D8/71-74, 394-399, 59; 248/63, 72,
248/74.1, 689, 124.2; 81/487, 385, 386,
81/388-390; 269/3, 4, 6, 143, 165, 240,
269/243, 246-249, 254 R, 147-149; 29/256,
29/257, 276; 408/103, 104-109
CPC B25B 1/00; B25B 5/00
See application file for complete search history.

- 6,665,921 B2 * 12/2003 Winterfeldt B25B 27/023
29/256
- 6,923,407 B2 * 8/2005 Takeuchi F16B 21/02
24/458
- D563,780 S * 3/2008 Pitcher D8/395
- D572,580 S * 7/2008 Machida D8/397
- 8,011,621 B2 * 9/2011 Korczak F16L 3/127
248/231.81
- 8,573,577 B2 * 11/2013 Yang B23K 31/02
269/143
- D739,710 S * 9/2015 Bukovitz D4/199
- D744,821 S * 12/2015 May D8/397

OTHER PUBLICATIONS

Kinetics Noise Control, Inc.; Kinetics Hanging Rod Stiffener Clamp Model KHRC; 2007.

* cited by examiner

Primary Examiner — David Muller

(74) *Attorney, Agent, or Firm* — James R. Foley; Clark Hill PLC

(57) **CLAIM**

The ornamental design for a rod stiffener clamp, as shown and described.

DESCRIPTION

FIG. 1 is a perspective front and top view of the rod stiffener clamp;
FIG. 2 is a perspective rear and bottom view thereof;
FIG. 3 is a top view thereof;
FIG. 4 is a side view thereof;
FIG. 5 is a front view thereof;
FIG. 6 is a rear view thereof; and,
FIG. 7 is a disassembled top view thereof.

1 Claim, 4 Drawing Sheets

(56) **References Cited**

U.S. PATENT DOCUMENTS

- 3,902,931 A * 9/1975 Danciger A47F 5/06
174/163 F
- D248,924 S * 8/1978 Curtis D8/382
- D260,235 S * 8/1981 Anderson D8/394
- D276,411 S * 11/1984 Peroni D8/399
- 5,286,211 A * 2/1994 McIntosh H01R 4/64
24/486

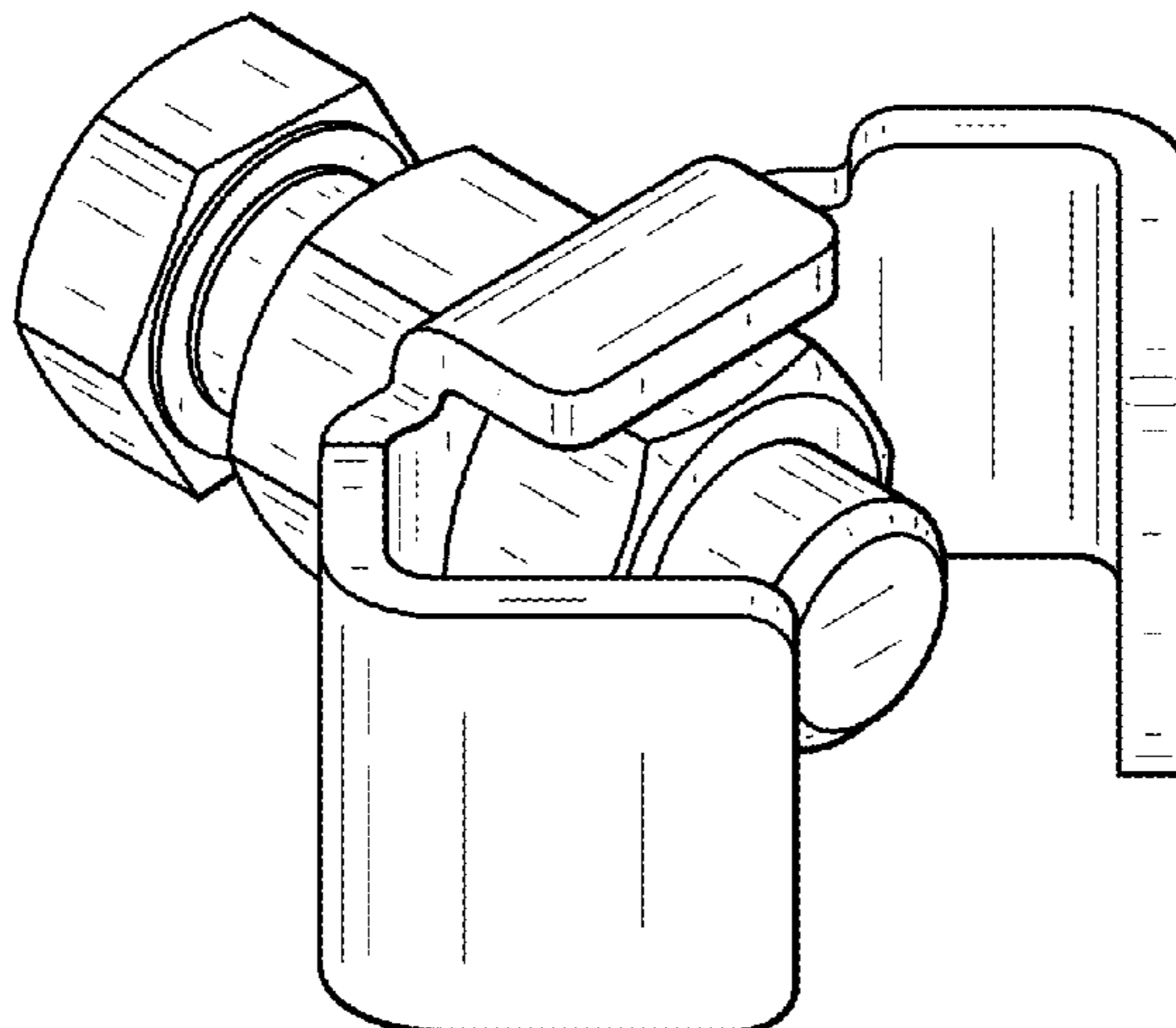


FIG. 1

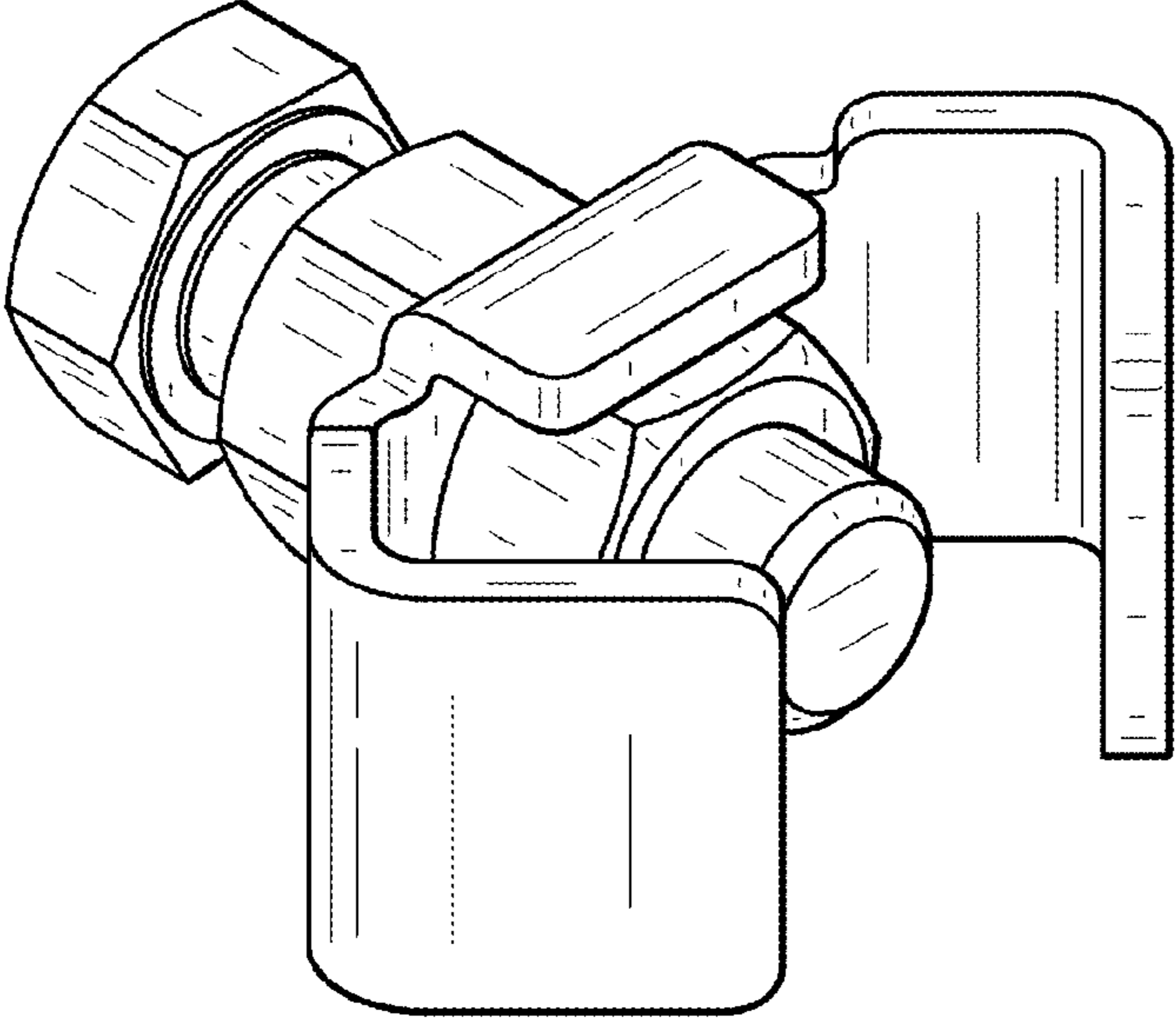


FIG. 2

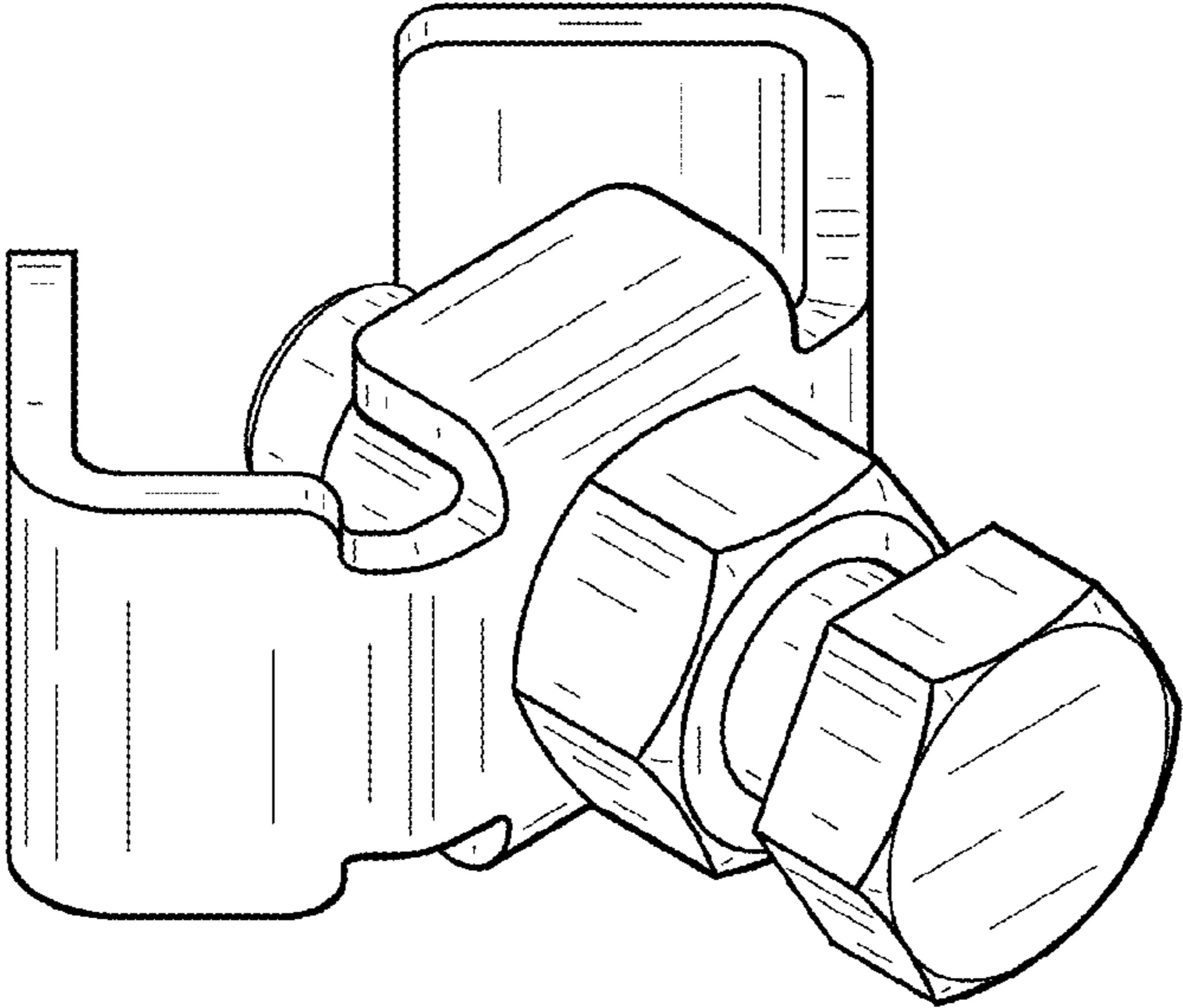


FIG. 3

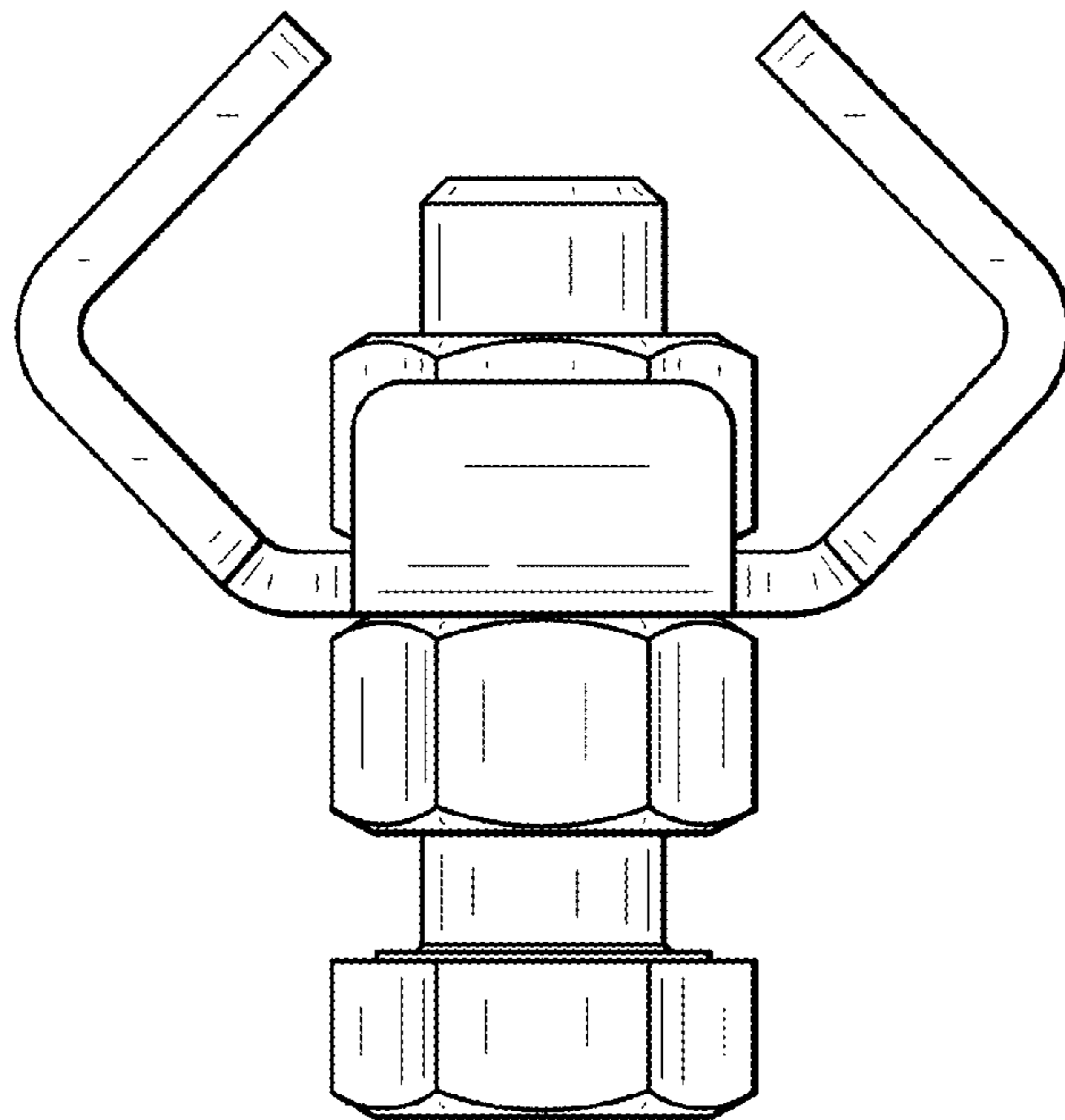


FIG. 4

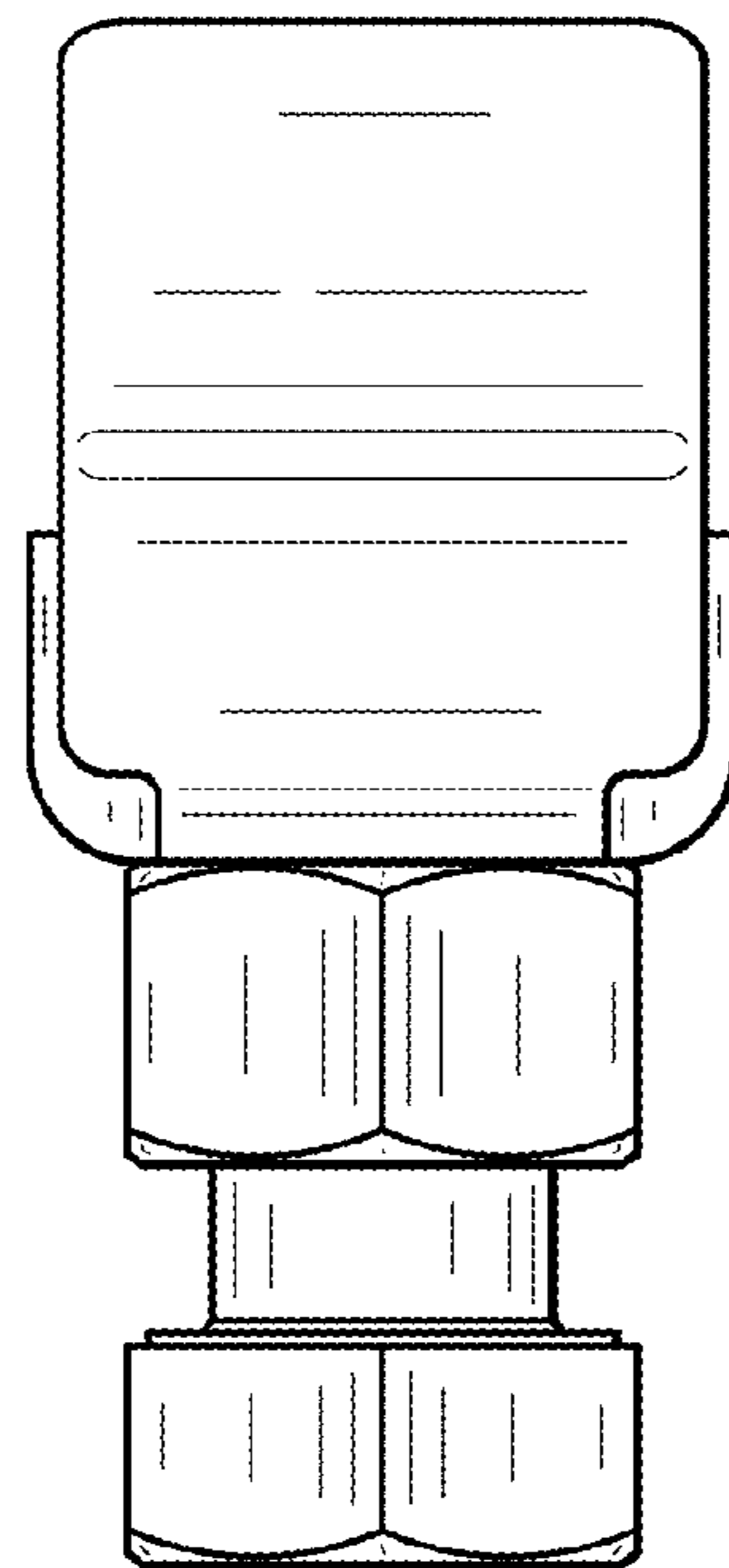


FIG. 5

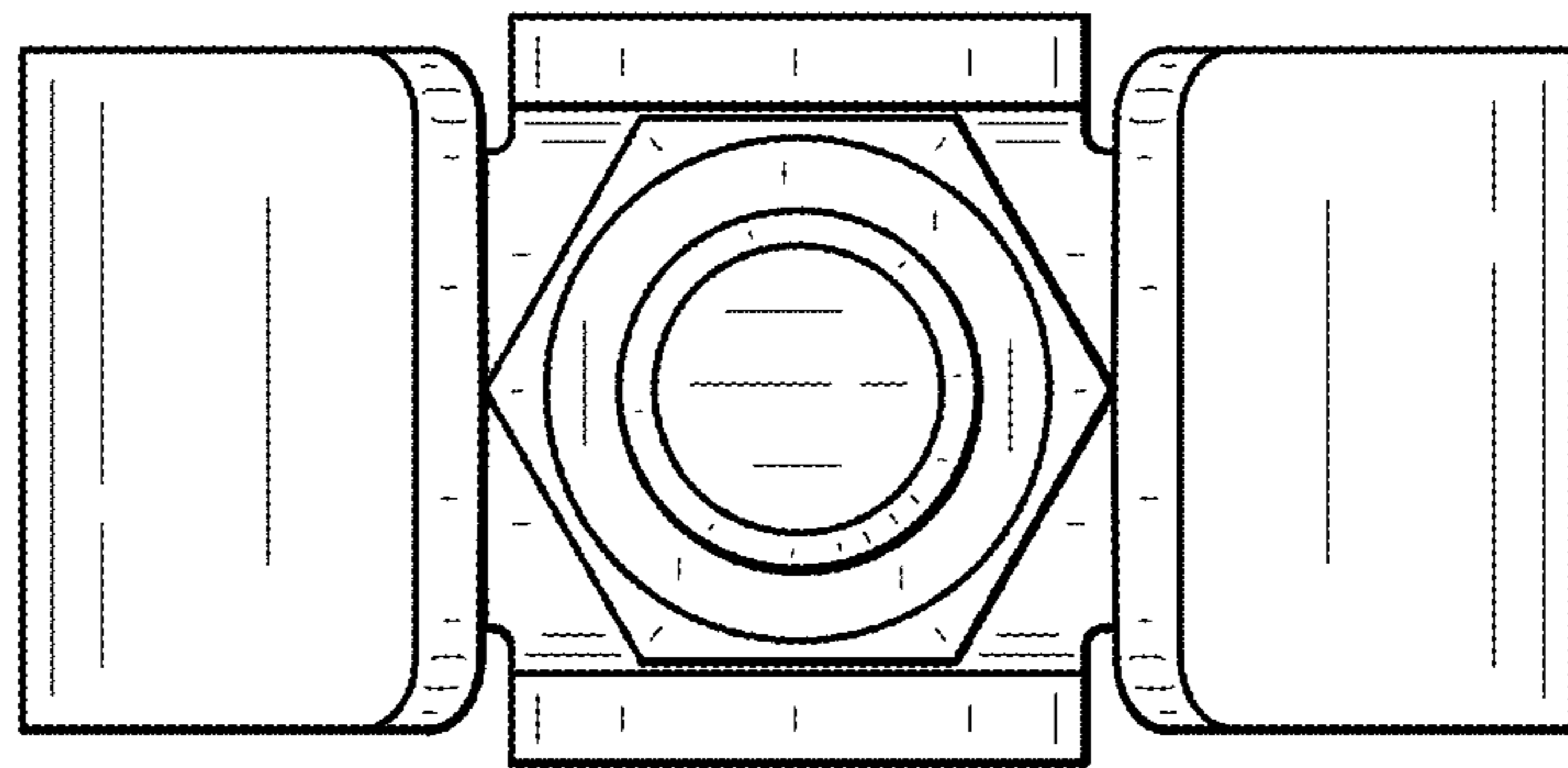


FIG. 6

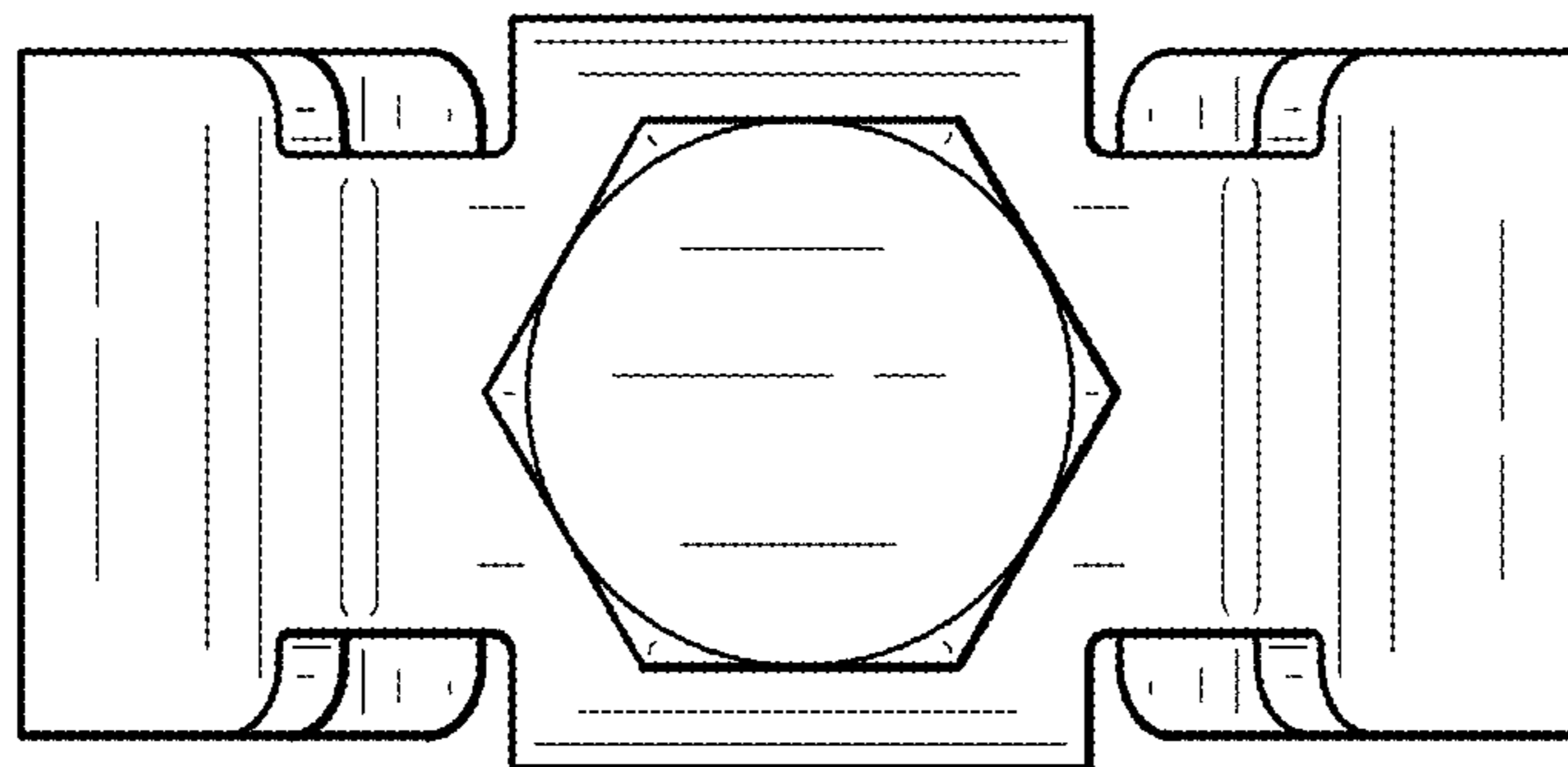


FIG. 7

