



US00D764248S

(12) **United States Design Patent**
Eisinger et al.

(10) **Patent No.:** **US D764,248 S**

(45) **Date of Patent:** **** Aug. 23, 2016**

(54) **RIGHT ANGLE DRIVE**

FOREIGN PATENT DOCUMENTS

(71) Applicants: **Darren P. Eisinger**, Carpentersville, IL (US); **Geoffrey Neubauer**, Lake in the Hills, IL (US)

CN 1302712 A 7/2001
DE 3634734 A1 4/1988

(Continued)

(72) Inventors: **Darren P. Eisinger**, Carpentersville, IL (US); **Geoffrey Neubauer**, Lake in the Hills, IL (US)

OTHER PUBLICATIONS

(73) Assignee: **Nomis LLC**, Palatine, IL (US)

Milescraft; Universal Power Tool Attachments & Accessories—Drills & Drivers—Drive 90; <http://www.milescraft.com/products/drilling/confined-spaces-drilling/1302-drive90>; 3 pages; date last visited Jun. 1, 2010.

(Continued)

(**) Term: **14 Years**

(21) Appl. No.: **29/524,628**

Primary Examiner — Philip S Hyder

(22) Filed: **Apr. 22, 2015**

Assistant Examiner — Darlington Ly

(51) **LOC (10) Cl.** **08-03**

(74) *Attorney, Agent, or Firm* — Reinhart Boerner Van Deuren P.C.

(52) **U.S. Cl.**

USPC **D8/70**

(58) **Field of Classification Search**

USPC D8/61, 62, 66–70; D4/102; D32/15, 17, D32/19; 173/170; 200/50.32; 310/50; 451/344, 351, 353–359, 451, 456

CPC B23B 45/003; B23B 45/008; B25F 3/00

See application file for complete search history.

(57) **CLAIM**

We claim the ornamental design for the right angle drive, as shown and described.

DESCRIPTION

(56) **References Cited**

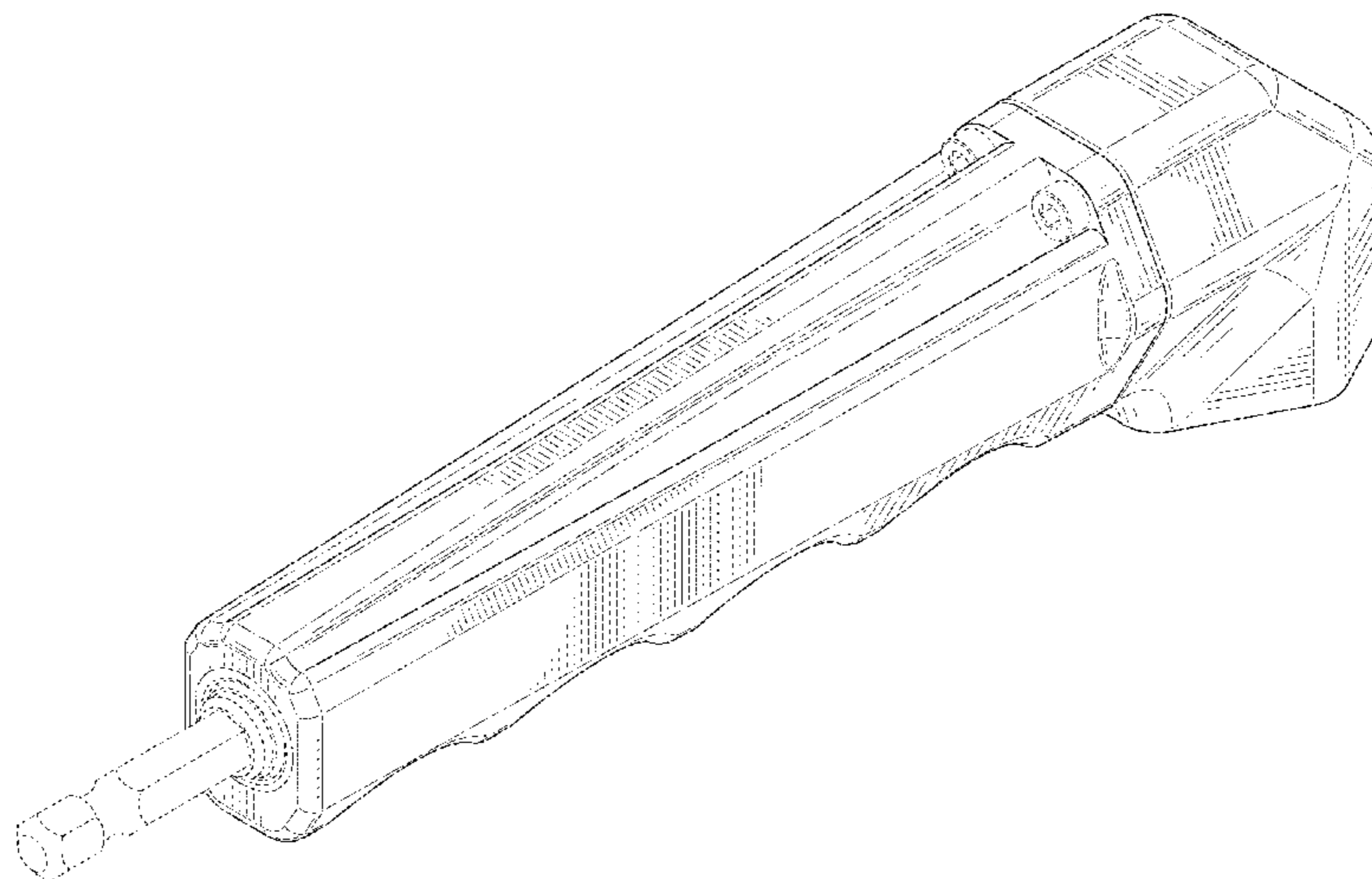
U.S. PATENT DOCUMENTS

1,379,880 A	5/1921	Seaborn
1,414,207 A	4/1922	Reed
1,525,091 A	2/1925	Savidge
1,688,410 A	10/1928	Chayes et al.
1,750,957 A	3/1930	Fowler
1,907,904 A	5/1933	Emburg et al.
2,155,082 A	4/1939	Decker
2,194,062 A	3/1940	Albertson et al.
2,262,706 A	11/1941	Benda
2,348,266 A	5/1944	Selby
2,465,309 A	3/1949	Happe et al.

(Continued)

FIG. 1 is a perspective view of the right angle drive; FIG. 2 is a back view of the right angle drive; FIG. 3 is a front view of the right angle drive; FIG. 4 is a side view of the right angle drive; FIG. 5 is a side view of the right angle drive showing the side opposite that shown in FIG. 4; FIG. 6 is a top view of the right angle drive; and, FIG. 7 is a bottom view of the right angle drive. The even broken lines in the drawings illustrate portions of the right angle drive that forms no part of the claimed design. The dash-dot broken lines illustrate boundaries of the claimed design and form no part thereof.

1 Claim, 4 Drawing Sheets



(56)

References Cited

U.S. PATENT DOCUMENTS

2,545,659 A 3/1951 Ginter
 2,553,416 A 5/1951 Koett
 2,563,582 A 8/1951 Colucci et al.
 2,589,822 A 3/1952 Kostka
 2,604,795 A 7/1952 Ristow
 2,620,840 A 12/1952 Schafer
 D170,466 S 9/1953 Keesling
 2,669,162 A 2/1954 Arliss
 2,780,942 A 2/1957 Babcock
 2,804,957 A 9/1957 Pechin, Jr.
 2,906,567 A 9/1959 Runton et al.
 3,158,883 A 12/1964 Barr
 3,333,481 A 8/1967 Kulig
 3,456,458 A 7/1969 Dixon
 3,719,254 A 3/1973 Snider
 3,724,561 A 4/1973 Merrels
 3,783,955 A 1/1974 Gill
 3,901,098 A 8/1975 Jinkins
 4,276,675 A 7/1981 Pioch
 4,321,838 A 3/1982 Feldman
 4,332,147 A 6/1982 Grech
 4,368,556 A 1/1983 Wanner et al.
 4,403,679 A 9/1983 Snider
 4,441,564 A 4/1984 Castillo
 4,474,077 A 10/1984 Debelius
 4,643,052 A 2/1987 Badiali
 4,645,388 A 2/1987 Abrahamsen
 RE32,415 E 5/1987 Grech
 4,685,848 A 8/1987 Langer
 4,696,199 A 9/1987 Fabbri
 4,751,970 A 6/1988 Hecker et al.
 4,820,090 A 4/1989 Chen
 4,838,108 A 6/1989 Flanhardt et al.
 4,840,082 A 6/1989 Terashima et al.
 4,881,294 A 11/1989 Riedl
 4,885,963 A 12/1989 Nishikawa
 4,912,349 A 3/1990 Chang
 4,947,942 A 8/1990 Lightle et al.
 5,028,181 A * 7/1991 Jenkins B23Q 5/045
 279/155
 D323,395 S * 1/1992 Meller D24/146
 5,188,189 A 2/1993 Hummel
 5,251,706 A 10/1993 Evans
 5,363,723 A 11/1994 Hoffman
 5,404,775 A 4/1995 Abe
 5,482,413 A 1/1996 Argaud
 5,533,581 A 7/1996 Barth et al.
 5,636,698 A 6/1997 Estep et al.
 5,725,422 A 3/1998 Leweck
 5,788,903 A 8/1998 Allgaier
 5,863,159 A 1/1999 Lasko
 6,009,776 A 1/2000 Warren
 6,089,331 A 7/2000 Christ
 6,112,621 A 9/2000 Ochiai
 6,125,721 A * 10/2000 Yang B25F 5/027
 81/177.4
 D439,124 S * 3/2001 Duennes D8/70
 6,241,594 B1 6/2001 Lepold
 6,296,427 B1 10/2001 Potter et al.
 6,352,127 B1 3/2002 Yorde
 6,463,824 B1 * 10/2002 Prell B23Q 5/045
 173/29
 D468,175 S 1/2003 Morgan
 6,814,156 B2 11/2004 Dieterle et al.
 6,820,339 B2 * 11/2004 Albrightson B23D 49/11
 30/122
 6,863,479 B2 3/2005 Frauhammer et al.
 7,052,382 B2 5/2006 Baker
 D525,502 S 7/2006 Chen
 D530,171 S 10/2006 Baker

7,153,133 B1 12/2006 Chia et al.
 D535,535 S 1/2007 Baker
 7,156,187 B1 1/2007 Townsan
 7,191,494 B2 3/2007 Badiali
 7,191,677 B2 3/2007 Barkdoll
 7,346,992 B2 3/2008 Hunger
 7,475,740 B2 1/2009 Kozina et al.
 D587,978 S * 3/2009 Aglassinger D8/70
 D624,380 S 9/2010 Rane et al.
 D633,768 S * 3/2011 Adkins D8/70
 D636,245 S * 4/2011 Adkins D8/70
 7,963,346 B2 6/2011 Brodin
 8,281,690 B2 10/2012 Badiali
 D670,148 S * 11/2012 Wang D8/70
 D674,676 S * 1/2013 Wang D8/61
 D692,742 S * 11/2013 Wenchel D8/70
 D702,522 S * 4/2014 Steinfels D8/61
 8,707,816 B2 4/2014 Adkins
 D712,225 S * 9/2014 Larson D8/61
 D727,698 S * 4/2015 Su D8/25
 2002/0185289 A1 12/2002 Yorde, Jr.
 2004/0014004 A1 1/2004 Garrison et al.
 2004/0016082 A1 1/2004 Yi
 2004/0065178 A1 4/2004 Anderson et al.
 2004/0067813 A1 4/2004 Komine
 2004/0159172 A1 8/2004 Barkdoll
 2005/0009458 A1 1/2005 Uzumcu et al.
 2005/0034276 A1 * 2/2005 Badiali B25F 5/026
 16/426
 2006/0027048 A1 2/2006 Chen
 2006/0289184 A1 12/2006 Cheng
 2007/0102178 A1 * 5/2007 Kozina B25F 3/00
 173/216
 2008/0003070 A1 1/2008 Hor
 2009/0272556 A1 * 11/2009 Young B23B 45/008
 173/216
 2011/0011609 A1 1/2011 Simm et al.
 2011/0067513 A1 3/2011 Wilson
 2011/0272172 A1 * 11/2011 Lau B25F 3/00
 173/170
 2012/0011954 A1 * 1/2012 Adkins B23B 45/003
 74/417
 2012/0024096 A1 * 2/2012 Adkins B23B 45/003
 74/416
 2014/0196921 A1 7/2014 Kondo et al.

FOREIGN PATENT DOCUMENTS

DE 4326652 A1 1/1994
 DE 29512161 U1 1/1997
 DE 10001091 A1 7/2001
 EP 0799671 A1 10/1997
 EP 1129825 A2 9/2001
 JP H05123915 A 5/1993
 JP 2004261959 A 9/2004
 WO WO 01/81053 A1 11/2001
 WO WO 2005/032769 A1 4/2005

OTHER PUBLICATIONS

Ingersoll Rand; 1207MAX Series Air Ratchets; electronic brochure; <https://ec.kamandirect.com/content/featured/2011/ingersoll-rand-max-air-tools/downloads/ingersoll-rand-1207max-series-air-ratchet.pdf>; 2 pages; retrieved from the internet on Jul. 22, 2015.
 Makita Cordless Angle Impact Driver; electronic brochure; http://www.ebuild.com/ImgRepos/btl061_e_view.pdf_03102009_100843untitled/btl061_e_view.pdf; 2 pages; retrieved from the internet on Jul. 22, 2015.
 Wolfcraft Hook Driver; <http://www.mcfeelys.com/product/WC-2422/Wolfcraft-Hook-Driver>; 1 page; date last visited Oct. 10, 2012.

* cited by examiner

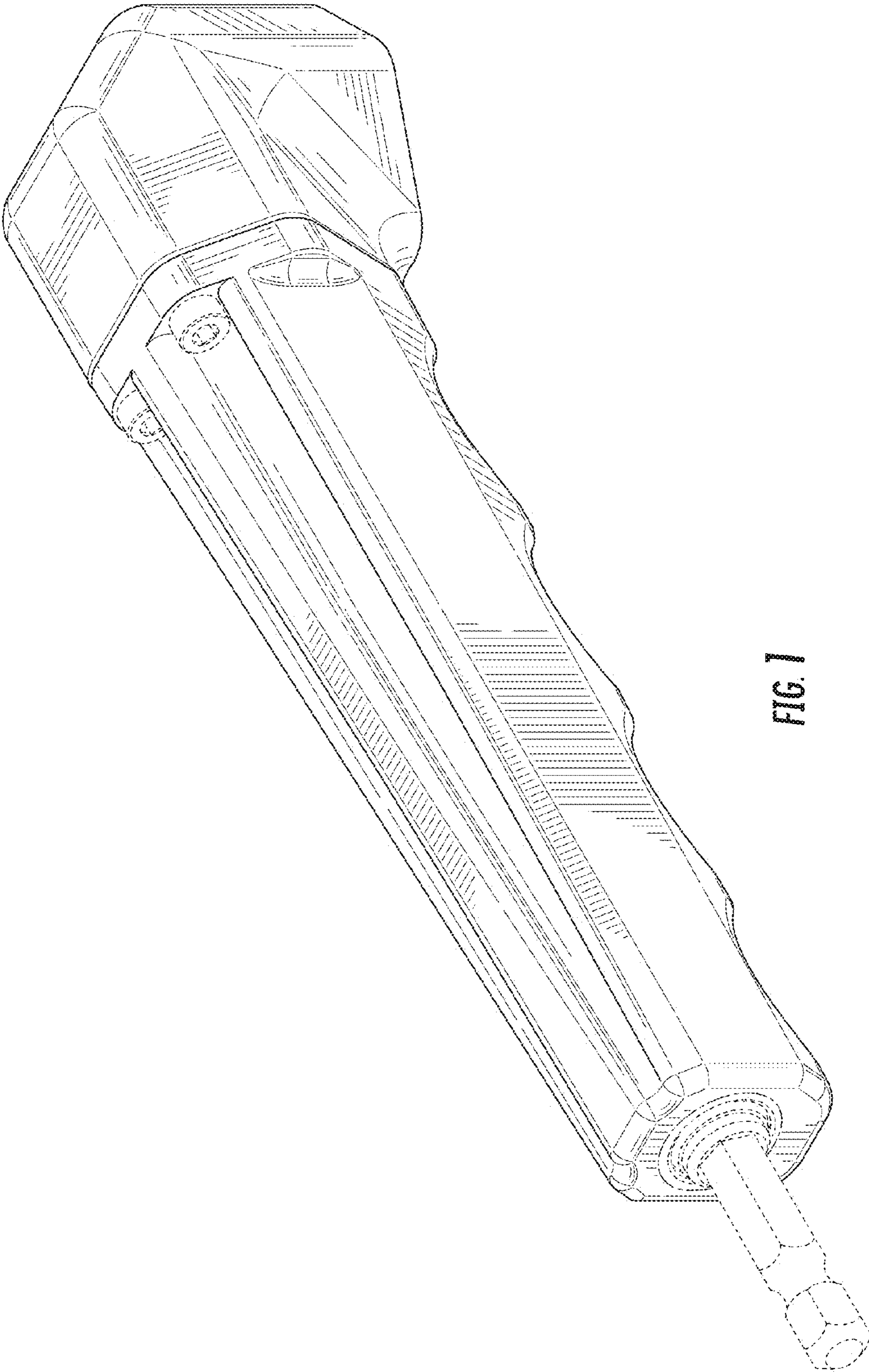


FIG. 1

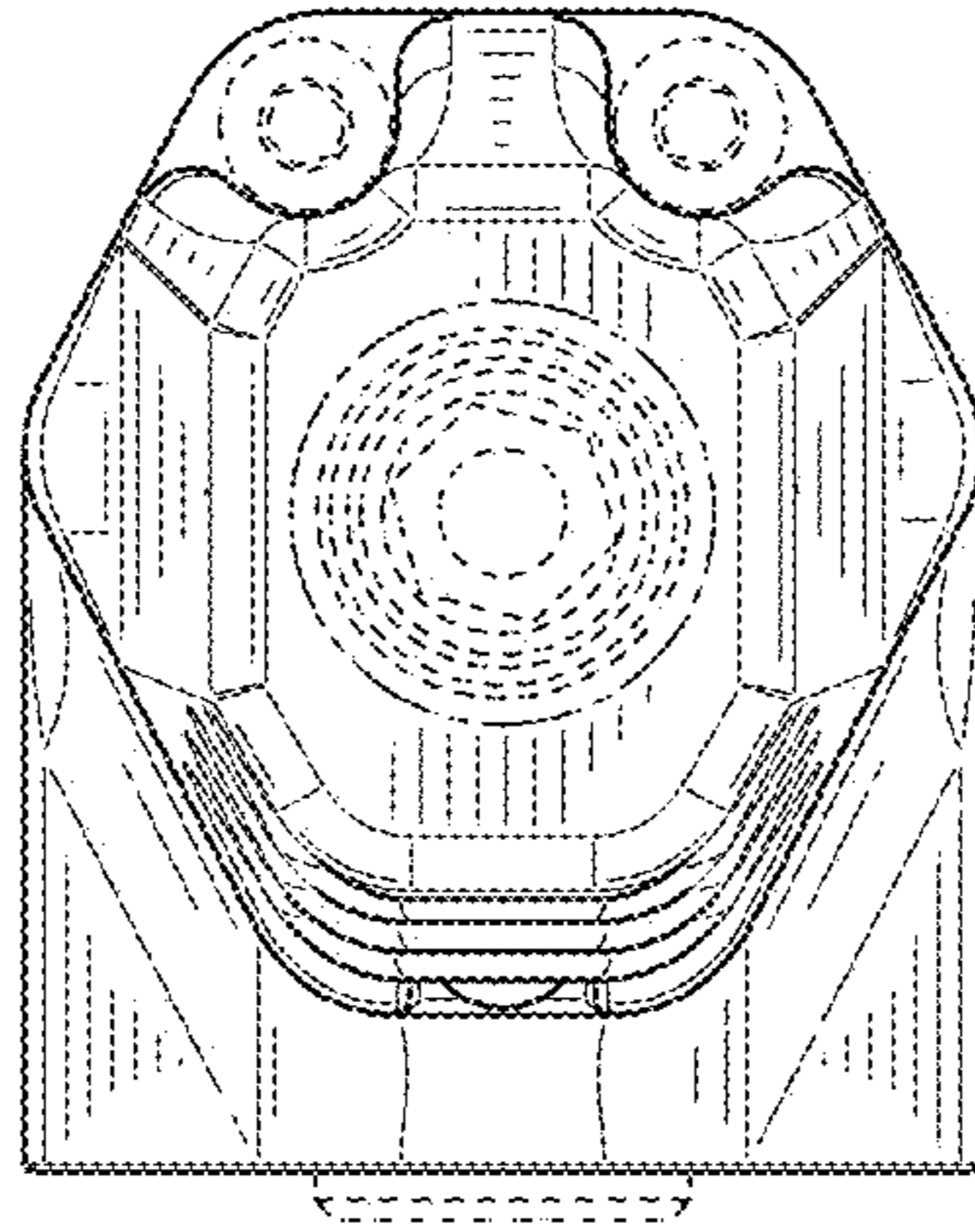


FIG. 2

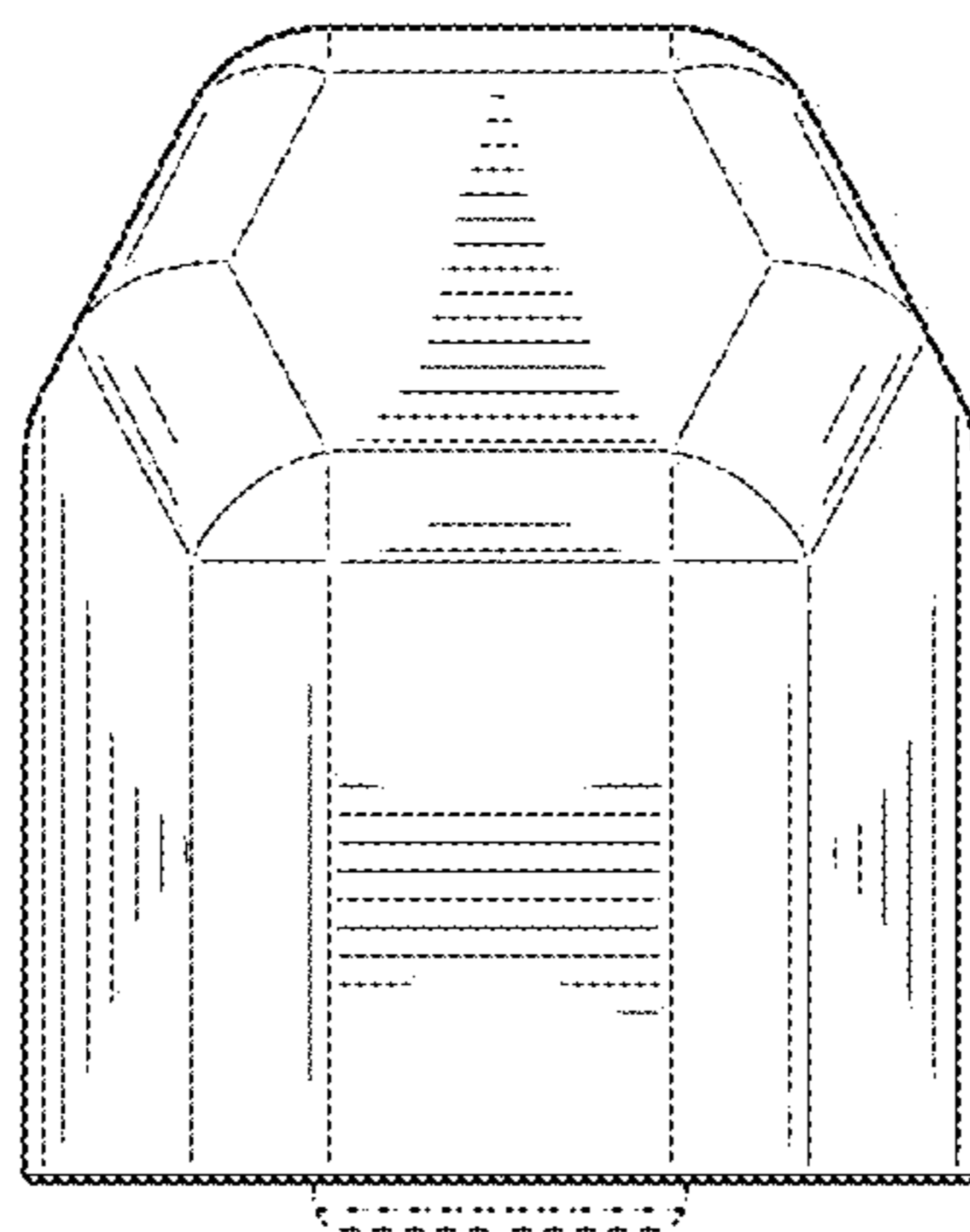


FIG. 3

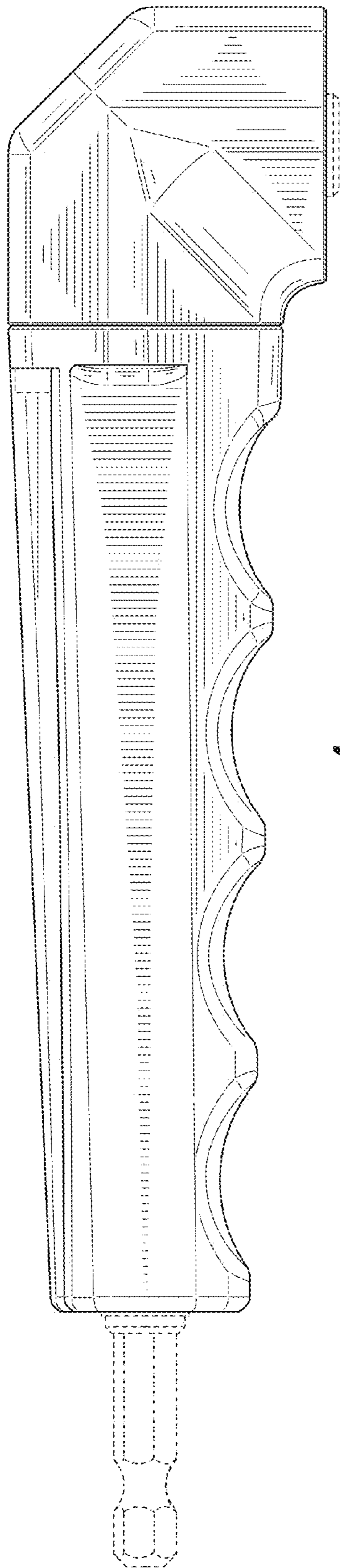


FIG. 4

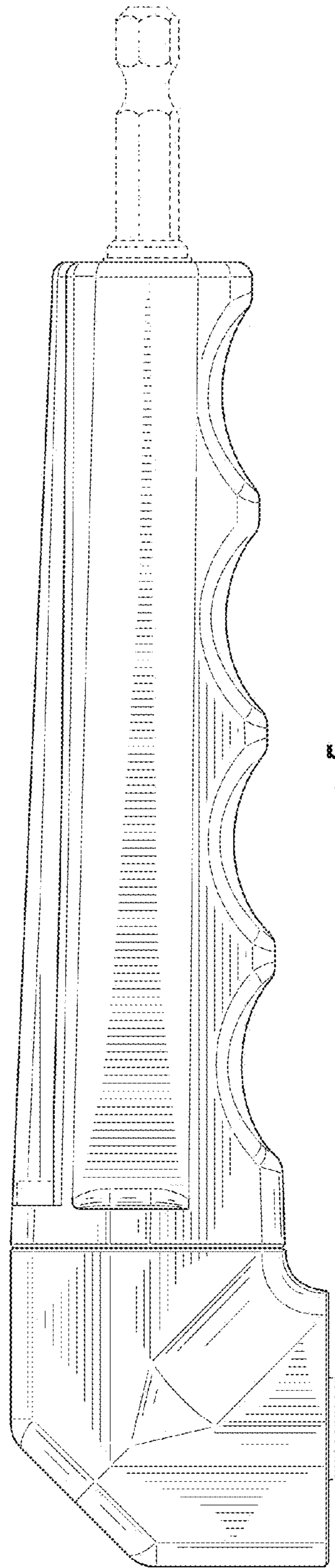


FIG. 5

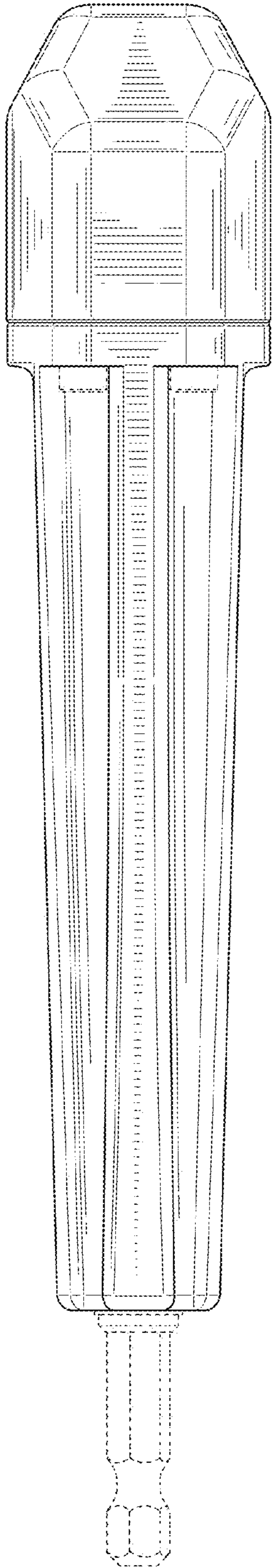


FIG. 6

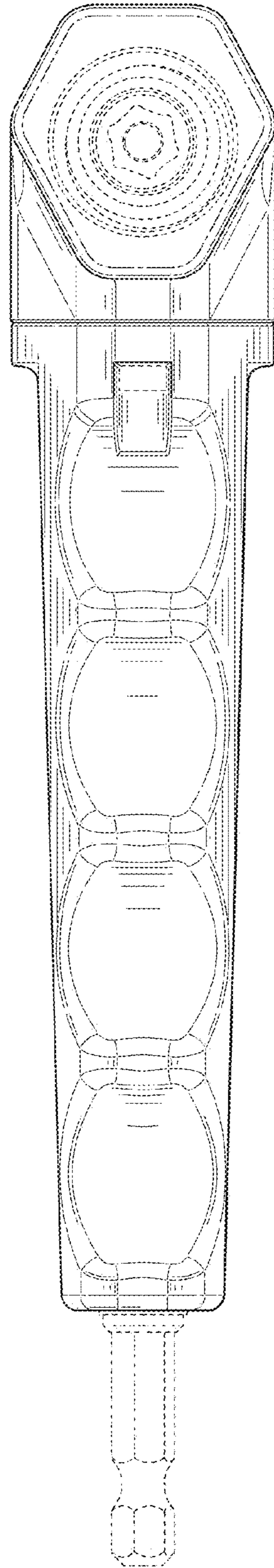


FIG. 7