



US00D764247S

(12) **United States Design Patent**
McQuillan et al.

(10) **Patent No.:** **US D764,247 S**

(45) **Date of Patent:** **** Aug. 23, 2016**

(54) **SAW BLADE**
(71) Applicant: **Milwaukee Electric Tool Corporation**,
Brookfield, WI (US)
(72) Inventors: **Patrick David John McQuillan**,
Wauwatosa, WI (US); **Brad Urban**,
Wauwatosa, WI (US); **Dylan Kugel**,
Eagle, WI (US); **Austin J. Kazda**,
Wauwatosa, WI (US); **Py Chang**,
Milwaukee, WI (US)

(73) Assignee: **MILWAUKEE ELECTRIC TOOL CORPORATION**, Brookfield, WI (US)

(**) Term: **14 Years**

(21) Appl. No.: **29/524,203**

(22) Filed: **Apr. 17, 2015**

(51) **LOC (10) Cl.** **08-03**

(52) **U.S. Cl.**
USPC **D8/20**

(58) **Field of Classification Search**
USPC D8/19, 20, 70, 98; D15/129, 133, 134,
D15/139; 37/219
CPC B23D 61/12; B23D 61/121; B23D 61/123;
B23D 61/126; B23D 49/14
See application file for complete search history.

(56) **References Cited**

U.S. PATENT DOCUMENTS

3,028,889	A *	4/1962	McCarty	B23D 61/128 30/166.3
D242,980	S *	1/1977	Fuller	D8/20
5,119,708	A *	6/1992	Musgrove	B23D 61/123 30/355
D405,667	S *	2/1999	Rivera	D8/20
6,244,152	B1 *	6/2001	Di Nicolantonio	..	B23D 61/021 83/835
D465,138	S *	11/2002	Raines	D8/20
D482,945	S *	12/2003	Grolimund	D8/20
7,225,714	B2 *	6/2007	Rompel	B23D 61/121 76/112

D623,490	S *	9/2010	Lauber	D8/20
D637,876	S *	5/2011	Williams	D8/20
D640,907	S *	7/2011	Underhile	D8/20
8,261,456	B2 *	9/2012	Scott	B23D 51/10 30/166.3
8,365,644	B2 *	2/2013	Huffer	B23D 61/12 30/369
D686,049	S *	7/2013	Ji	D8/20
D686,470	S *	7/2013	Ji	D8/20
D687,276	S *	8/2013	Ji	D8/20
D688,543	S *	8/2013	Neitzell	D8/20
8,596,166	B2 *	12/2013	Bucks	B23D 61/121 76/112
8,607,464	B2 *	12/2013	Scott	B23D 51/01 30/166.3
8,689,667	B2 *	4/2014	Butzen	B23D 61/121 30/355
D706,099	S *	6/2014	Neitzell	D8/20
8,776,659	B2 *	7/2014	Butzen	B23D 61/121 30/355

(Continued)

Primary Examiner — Elizabeth Albert

(74) *Attorney, Agent, or Firm* — Michael Best & Friedrich LLP

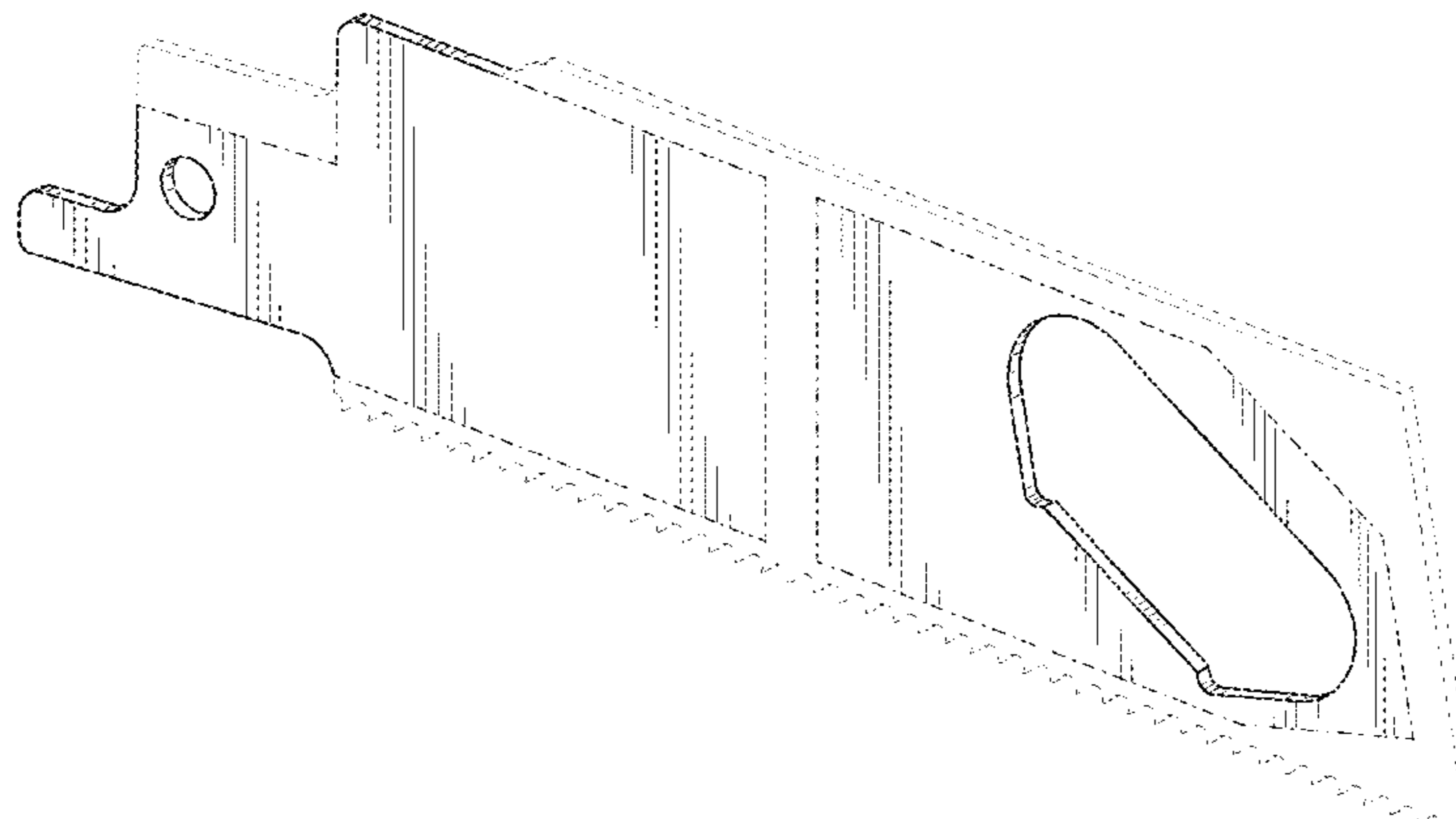
(57) **CLAIM**

We claim the ornamental design for a saw blade, as shown and described.

DESCRIPTION

FIG. 1 is a perspective view of a saw blade showing our new design;
FIG. 2 is a first side view of the saw blade of FIG. 1.
FIG. 3 is a second side view of the saw blade of FIG. 1.
FIG. 4 is a top view of the saw blade of FIG. 1.
FIG. 5 is a bottom view of the saw blade of FIG. 1.
FIG. 6 is a first end view of the saw blade of FIG. 1; and,
FIG. 7 is a second end view of the saw blade of FIG. 1.
Portions of the saw blade shown in evenly spaced broken lines form no part of the claimed design. The long and short broken lines that define the bounds of the claimed design form no part thereof.

1 Claim, 3 Drawing Sheets



(56)

References Cited

U.S. PATENT DOCUMENTS

D732,914 S *	6/2015	Hampton	D8/20	2009/0049973 A1 *	2/2009	Huffer	B23D 61/12 83/697
9,079,259 B2 *	7/2015	Grolimund	B23D 61/14	2009/0145280 A1 *	6/2009	Bucks	B23D 61/121 83/835
9,132,492 B2 *	9/2015	Butzen	B23D 61/125	2010/0126328 A1 *	5/2010	Grolimund	B23D 61/128 83/848
D744,794 S *	12/2015	Elliston	D8/20	2012/0042765 A1 *	2/2012	Kazda	B23D 49/11 83/835
2002/0184988 A1 *	12/2002	Rohman	B23D 61/123 83/835	2012/0090443 A1 *	4/2012	Butzen	B23D 61/121 83/849
2005/0262702 A1 *	12/2005	Hawthorn	B23D 61/126 30/166.3	2012/0297952 A1 *	11/2012	Butzen	B23D 61/121 83/835
2006/0130341 A1 *	6/2006	Burry	B23D 61/121 30/166.3	2014/0260879 A1 *	9/2014	Grolimund	B23D 61/121 83/835
2006/0130628 A1 *	6/2006	Rompel	B23D 61/121 83/835	2014/0283667 A1 *	9/2014	Butzen	B23D 61/121 83/835
2006/0174495 A1 *	8/2006	Junior	B23D 51/10 30/339	2015/0231713 A1 *	8/2015	Kazda	B23D 61/12 83/835

* cited by examiner

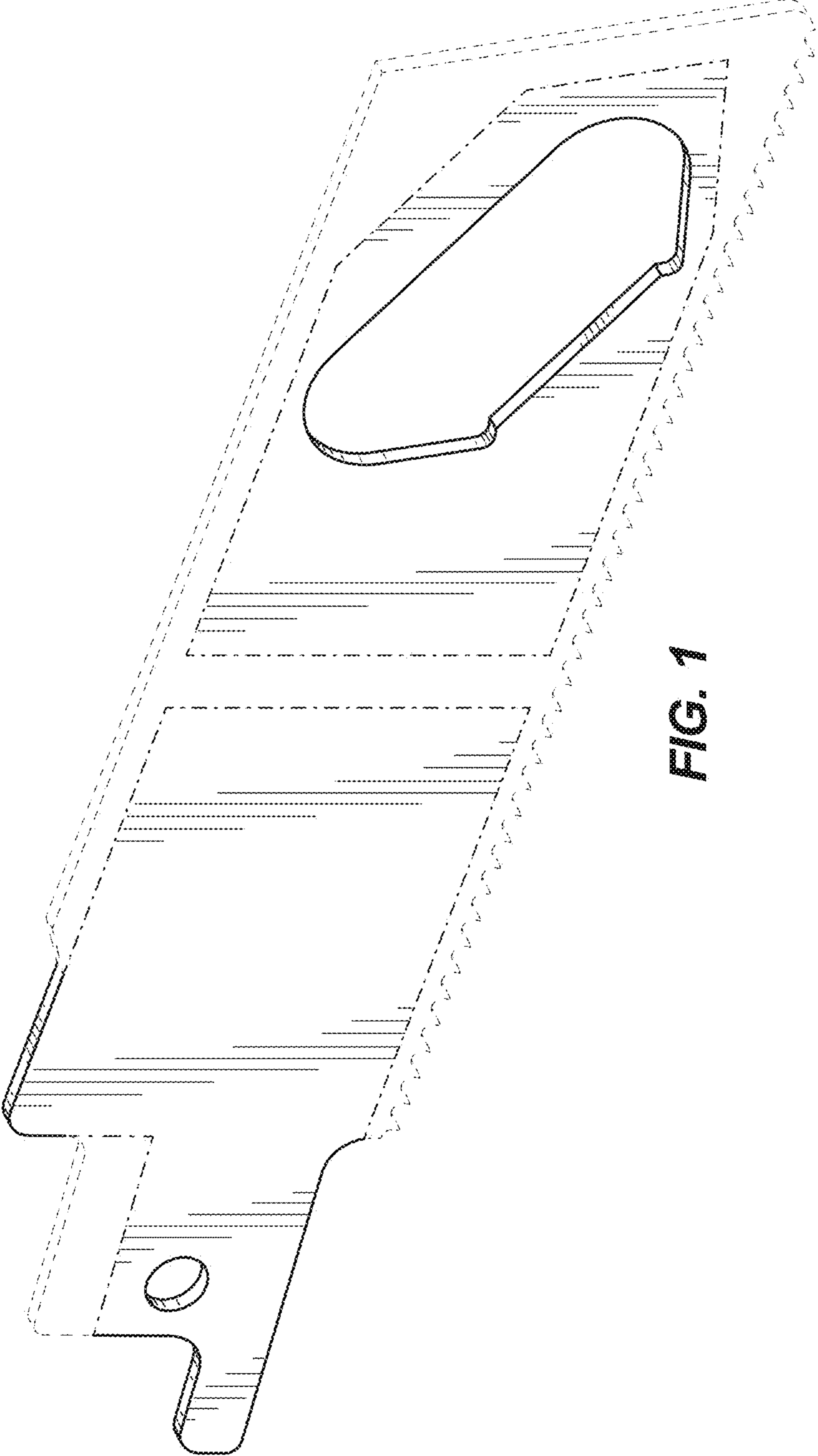


FIG. 1

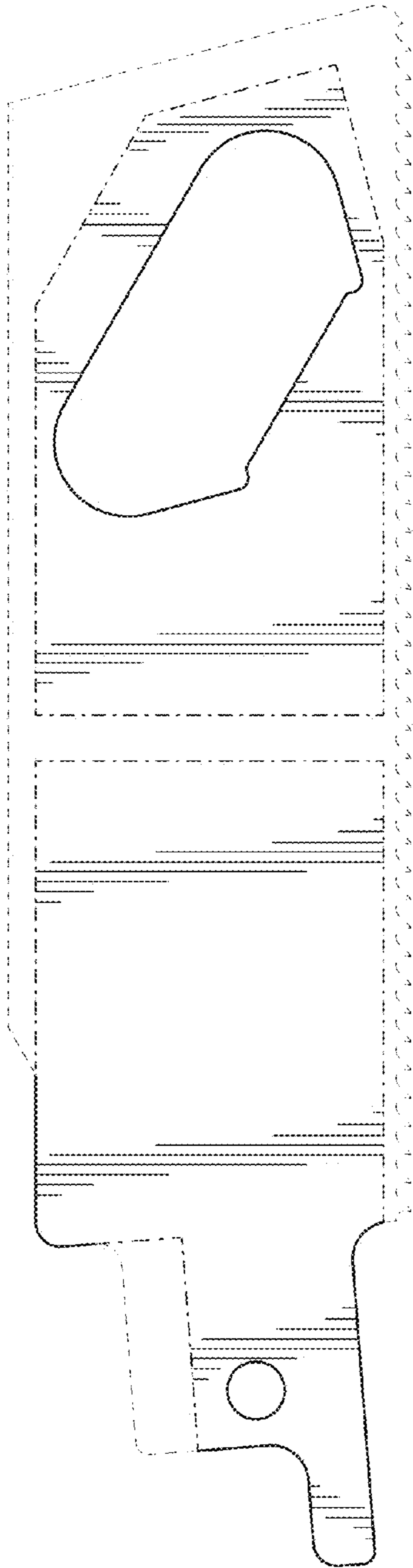


FIG. 2

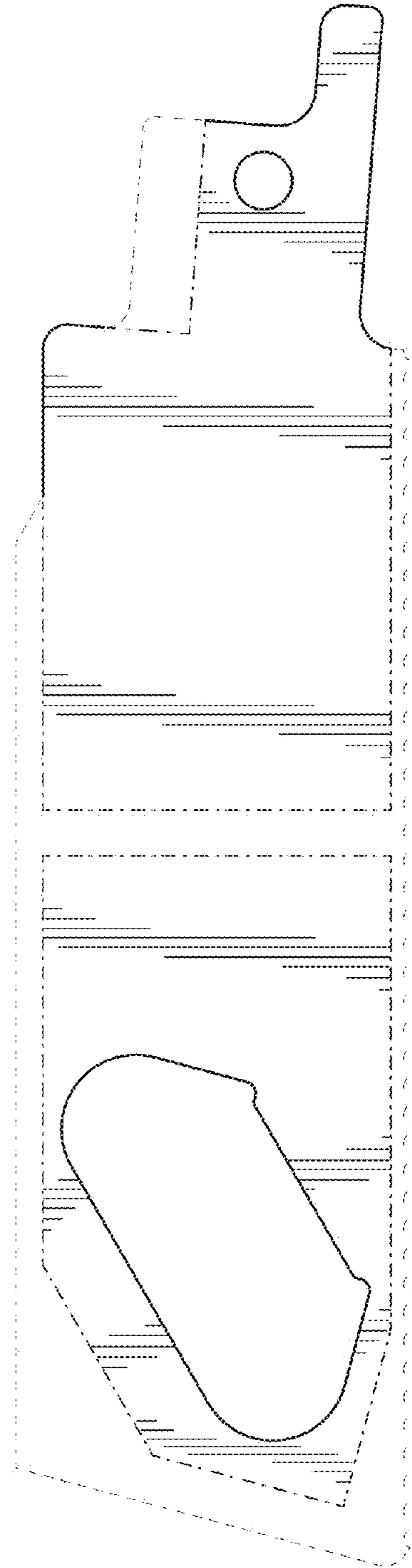


FIG. 3

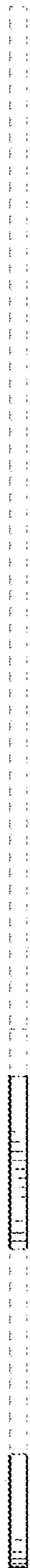


FIG. 4

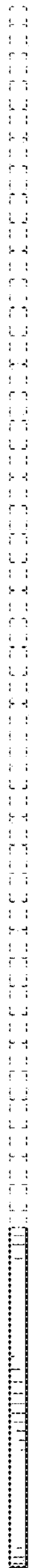


FIG. 5

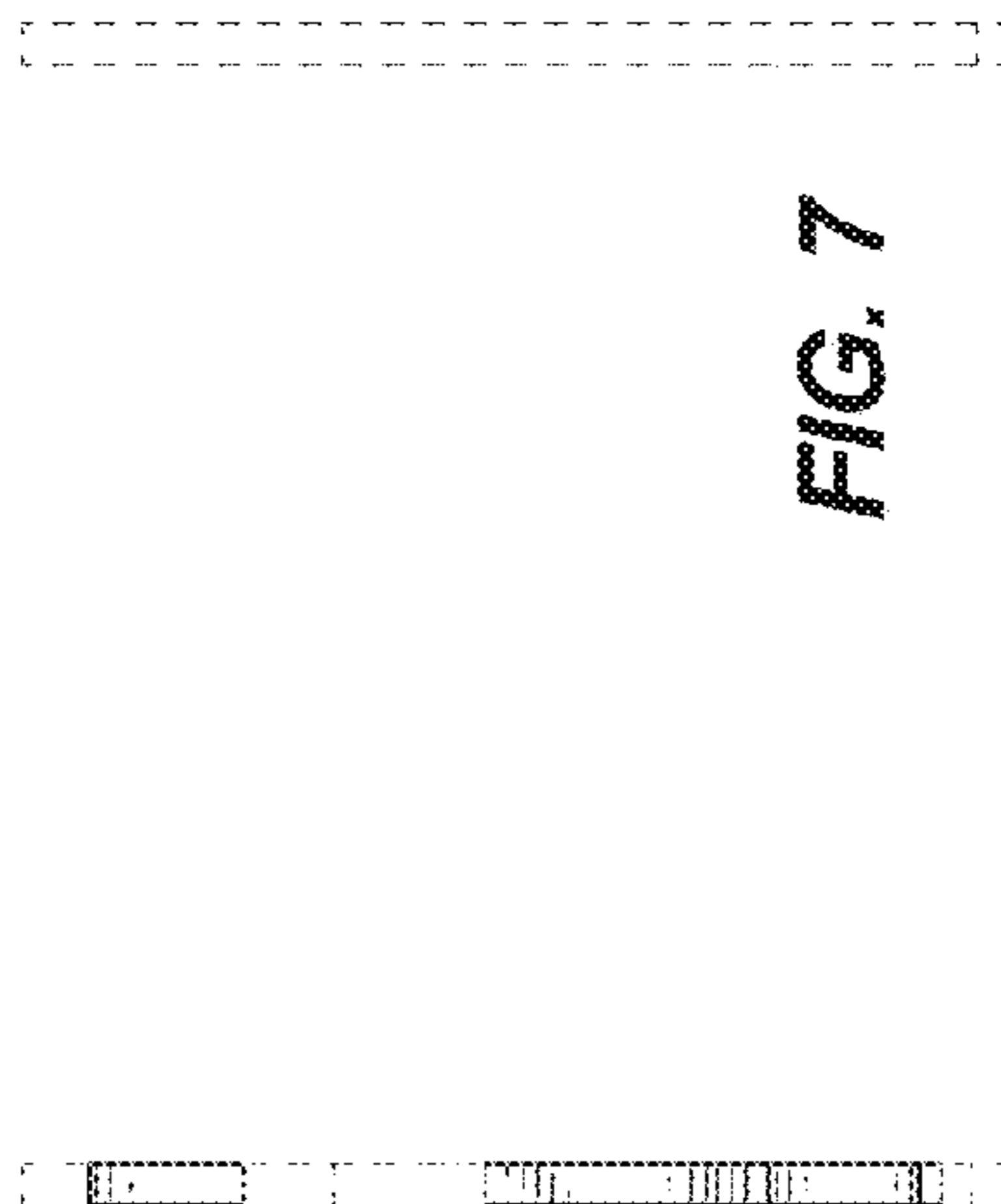


FIG. 6

FIG. 7