

US00D764245S

(12) **United States Design Patent**
Amarant

(10) **Patent No.:** **US D764,245 S**

(45) **Date of Patent:** **** Aug. 23, 2016**

- (54) **ICE RESURFACING BLADE**
- (71) Applicant: **Jeremy Amarant**, Valencia, CA (US)
- (72) Inventor: **Jeremy Amarant**, Valencia, CA (US)
- (**) Term: **14 Years**
- (21) Appl. No.: **29/515,354**
- (22) Filed: **Jan. 22, 2015**
- (51) **LOC (10) Cl.** **08-03**
- (52) **U.S. Cl.**
USPC **D8/20**
- (58) **Field of Classification Search**
USPC D8/19, 20, 70, 98; D15/129, 133, 134,
D15/139; 37/219
CPC E01H 4/02; E01H 4/023; B23D 61/12;
B23D 61/121; B23D 61/123; B23D 61/126;
B23D 49/14
See application file for complete search history.

- D506,663 S * 6/2005 Biller D25/125
- 6,908,373 B1 * 6/2005 Ohman B26D 7/12
451/160
- 6,968,879 B2 * 11/2005 Schuh B27L 11/005
144/174
- D583,204 S * 12/2008 Creswell D8/14
- D602,752 S * 10/2009 Luciano, Jr. D8/20
- D663,595 S * 7/2012 Nikkel D8/20
- D679,968 S * 4/2013 Chiu D8/20
- D682,056 S * 5/2013 Beilin D8/20
- D684,444 S * 6/2013 Medhurst D8/20
- 8,671,596 B2 * 3/2014 Manion E01H 4/023
299/24
- D712,942 S * 9/2014 Zeiner D15/139
- 2007/0157476 A1 * 7/2007 Hunt B26B 9/02
30/355

* cited by examiner

Primary Examiner — Elizabeth Albert

(74) *Attorney, Agent, or Firm* — Dale J. Ream

(57) **CLAIM**

The ornamental design for an ice resurfacing blade, as shown and described.

(56) **References Cited**

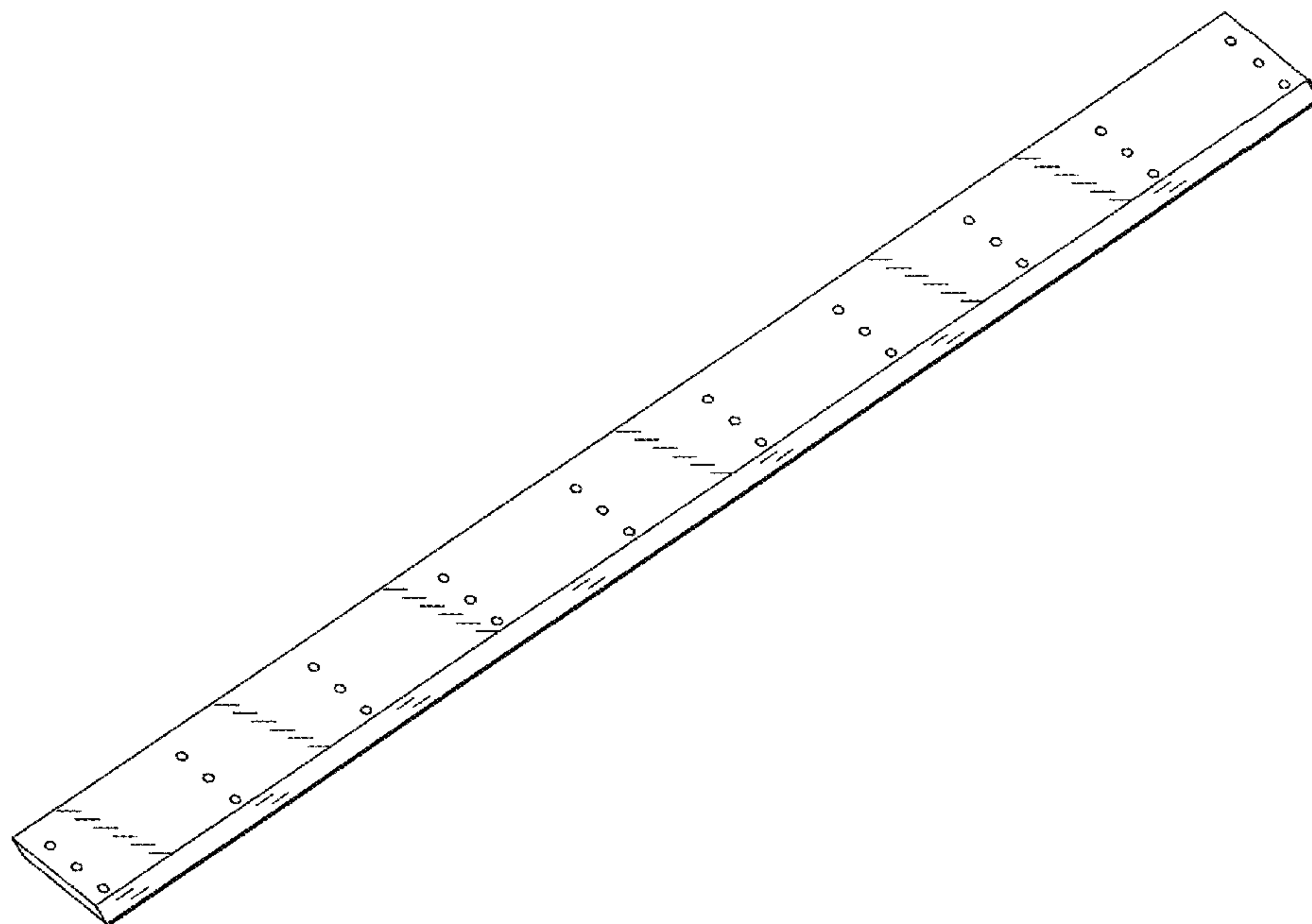
U.S. PATENT DOCUMENTS

- 339,606 A * 4/1886 Wells B27L 11/005
144/241
- 2,538,743 A * 1/1951 Alston B05B 15/0475
118/504
- D204,877 S * 5/1966 West D8/20
- D258,659 S * 3/1981 Nystrom D15/139
- 4,423,758 A * 1/1984 Haller B27L 11/005
144/176
- 4,503,893 A * 3/1985 Demopoulos B27L 11/005
144/176
- D386,655 S * 11/1997 Spierer D8/20
- 5,819,826 A * 10/1998 Schmatjen B27L 11/005
144/176

DESCRIPTION

FIG. 1 is a perspective view of an ice resurfacing blade showing my new design;
 FIG. 2 is a front view, the back view being a mirror image thereof;
 FIG. 3 is a right side view thereof;
 FIG. 4 is a left side view thereof;
 FIG. 5 is a top view thereof; and,
 FIG. 6 is a bottom view thereof.

1 Claim, 3 Drawing Sheets



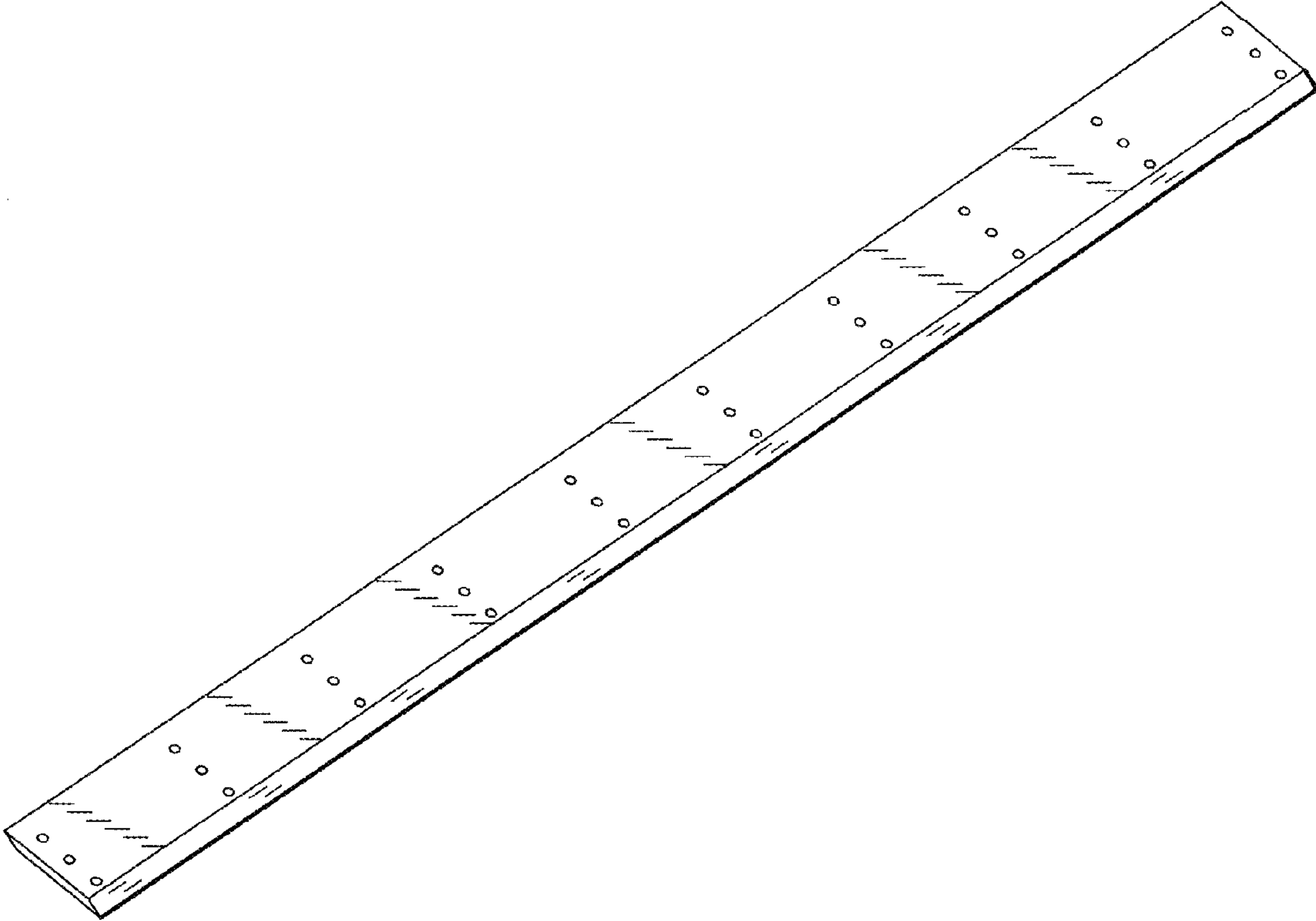


FIG. 1



FIG. 2



FIG. 3



FIG. 4

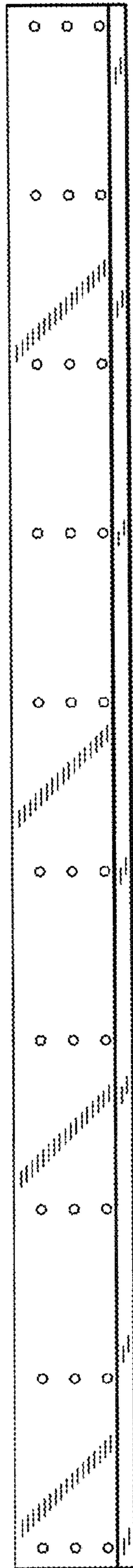


FIG. 5

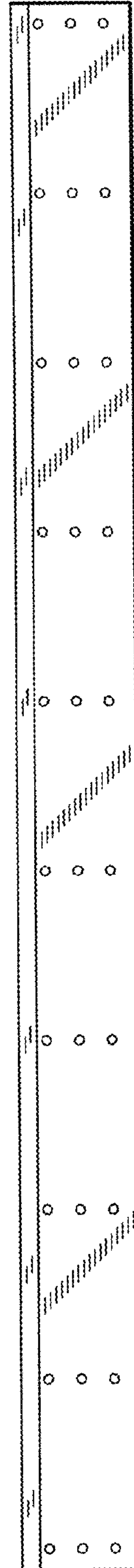


FIG. 6