



US00D764243S

(12) **United States Design Patent**
McConnell

(10) **Patent No.:** **US D764,243 S**

(45) **Date of Patent:** **** Aug. 23, 2016**

- (54) **MANUALLY OPERATED AUGER**
- (71) Applicant: **Bruce McConnell**, Lincoln, CA (US)
- (72) Inventor: **Bruce McConnell**, Lincoln, CA (US)
- (**) Term: **14 Years**
- (21) Appl. No.: **29/516,914**
- (22) Filed: **Feb. 6, 2015**
- (51) **LOC (10) Cl.** **08-01**
- (52) **U.S. Cl.**
USPC **D8/8**
- (58) **Field of Classification Search**
USPC D8/1, 7, 8, 11, 13
CPC A01B 1/00; A01D 11/00; E21B 10/44;
E21B 7/005; E21B 11/00; A01C 5/02; A01C
5/00
See application file for complete search history.

- 6,119,787 A * 9/2000 Garcia A01B 1/065
172/25
- D485,742 S * 1/2004 Heberle D8/354
- D546,167 S * 7/2007 Noethe D8/1

* cited by examiner

Primary Examiner — Sheryl Lane

Assistant Examiner — Ieisha Price

(74) *Attorney, Agent, or Firm* — Crossley and Stevenson
Intellectual Property Law

(57) **CLAIM**

The ornamental design for a manually operated auger, as shown and described.

DESCRIPTION

FIG. 1 is a front elevation view of the first embodiment of a manually operated auger showing my new design, having a clockwise rotatable blade;

FIG. 2 is a rear elevation view thereof;

FIG. 3 is a right side elevation view thereof;

FIG. 4 is a left side elevation view thereof;

FIG. 5 is a top plan view thereof;

FIG. 6 is a bottom plan view thereof;

FIG. 7 is an isometric view thereof.

FIG. 8 is a front elevation view of the second embodiment of a manually operated auger, having a counterclockwise rotatable blade;

FIG. 9 is a rear elevation view thereof as shown in FIG. 8;

FIG. 10 is a right side elevation view thereof as shown in FIG. 8;

FIG. 11 is a left side elevation view thereof as shown in FIG. 8;

FIG. 12 is a top plan view thereof as shown in FIG. 8;

FIG. 13 is a bottom plan view thereof as shown in FIG. 8; and,

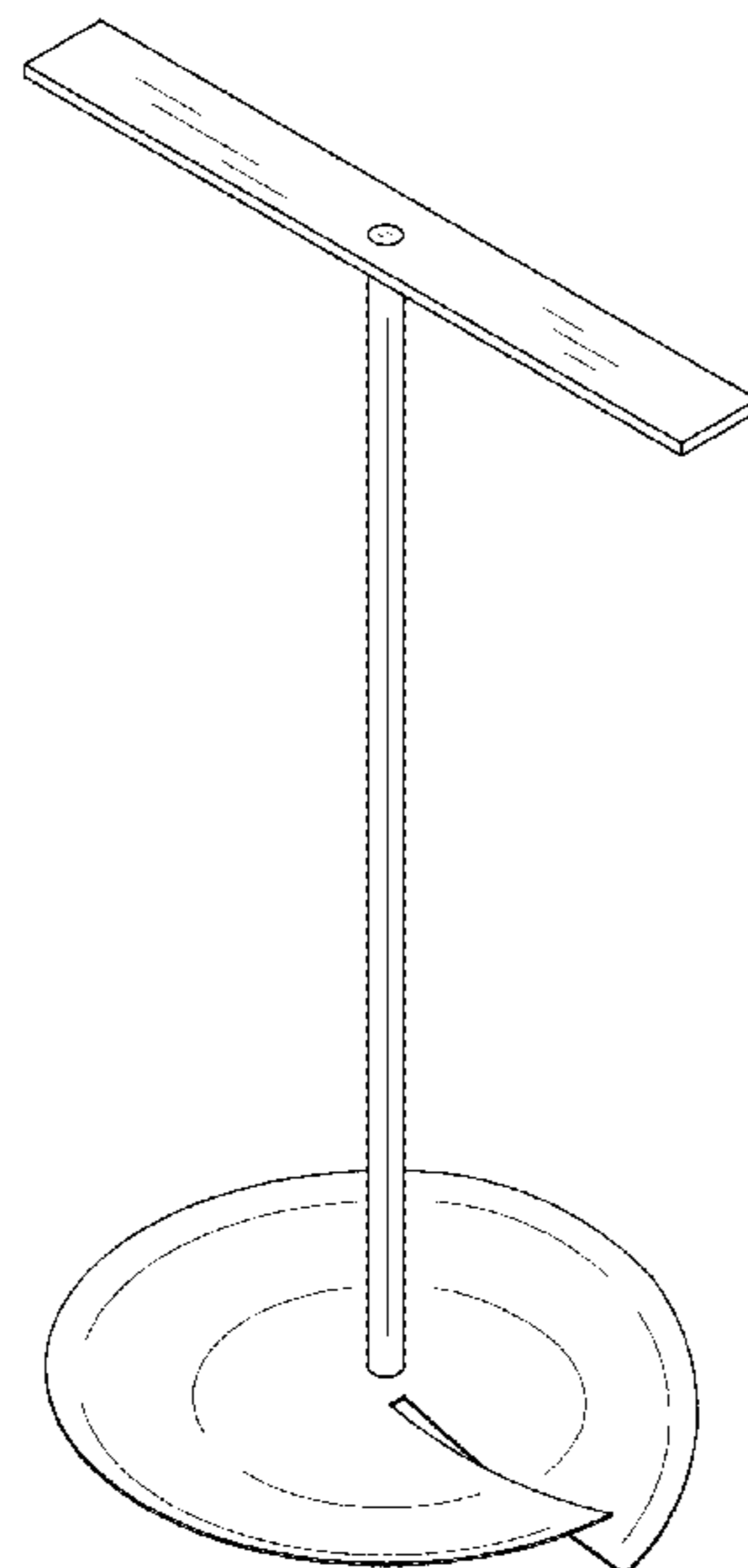
FIG. 14 is an isometric view thereof as shown in FIG. 8.

(56) **References Cited**

U.S. PATENT DOCUMENTS

- 322,365 A * 7/1885 Fosburgh E21B 10/44
175/388
- 357,544 A * 2/1887 Albright E21B 11/005
175/385
- 573,388 A * 12/1896 Brownlee E21B 10/44
175/388
- D30,847 S * 5/1899 Falz D8/7
- 1,684,291 A * 9/1928 Summers E21B 7/061
175/388
- 2,476,047 A * 7/1949 Kidder E21B 7/008
175/170
- 2,896,729 A 7/1959 Brechlin
- 3,080,006 A * 3/1963 Brolin F25C 5/043
175/18
- D250,388 S * 11/1978 Rantanen D15/21
- 4,659,127 A 4/1987 Hancovsky

1 Claim, 12 Drawing Sheets



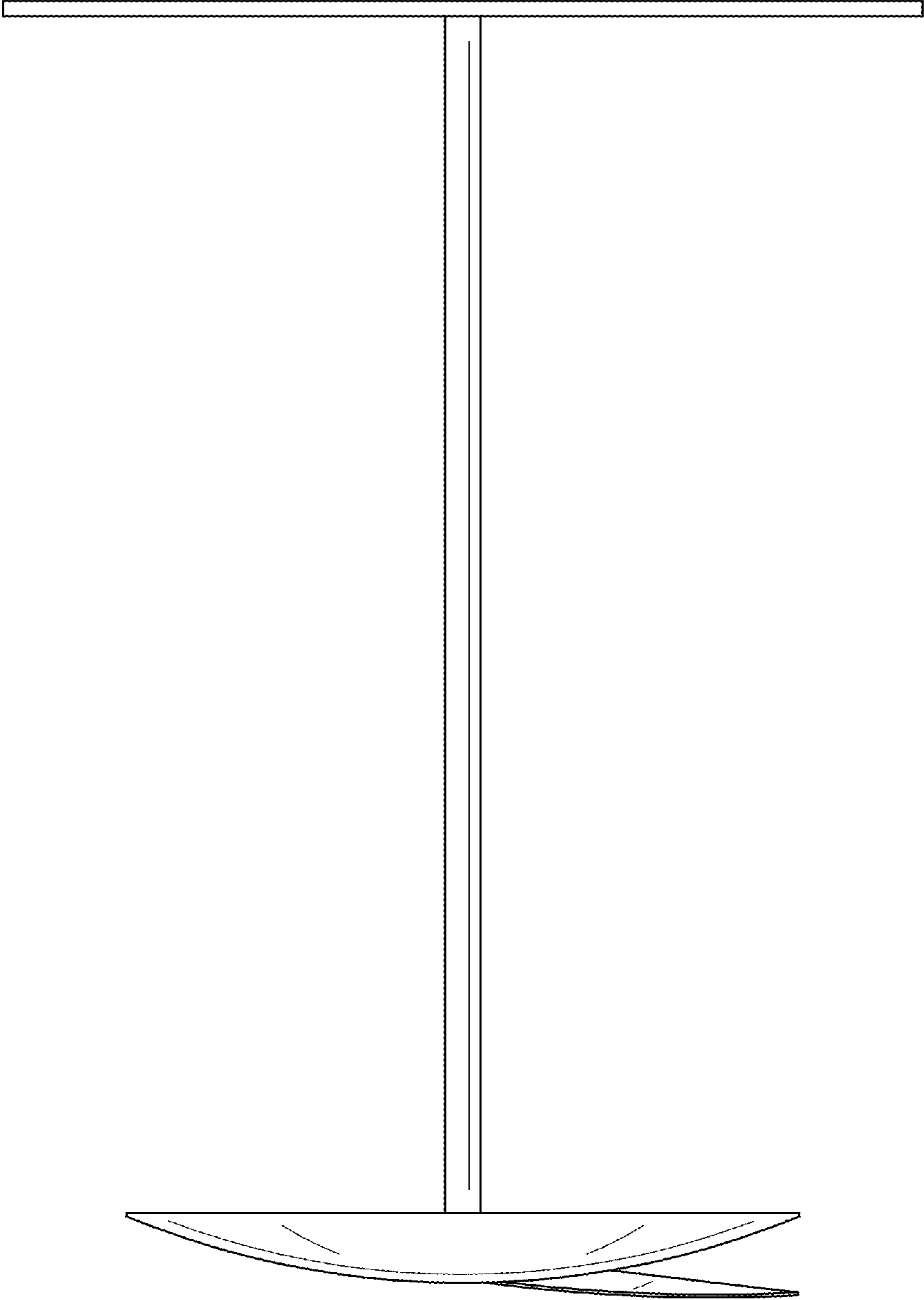


FIG. 1

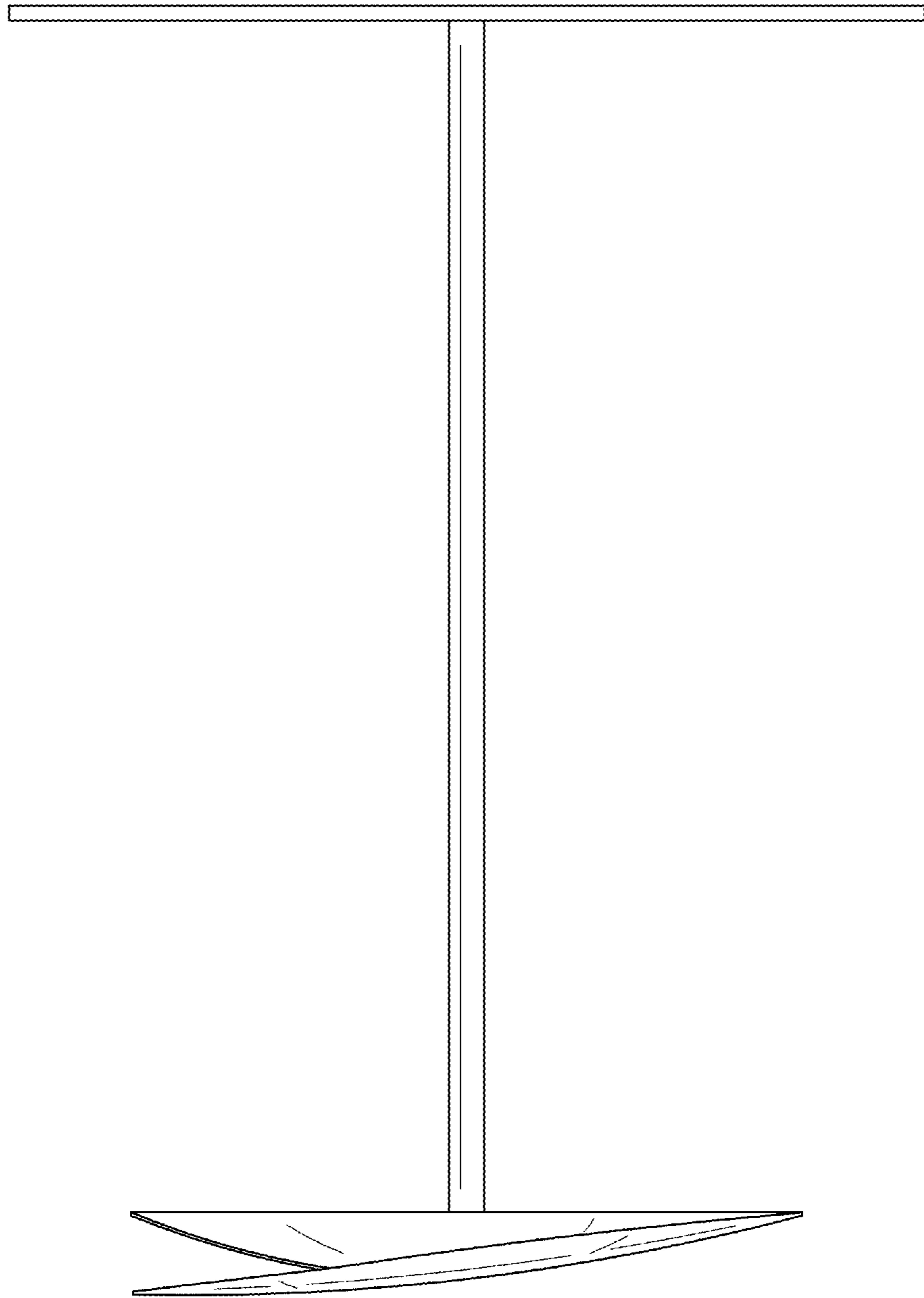


FIG. 2

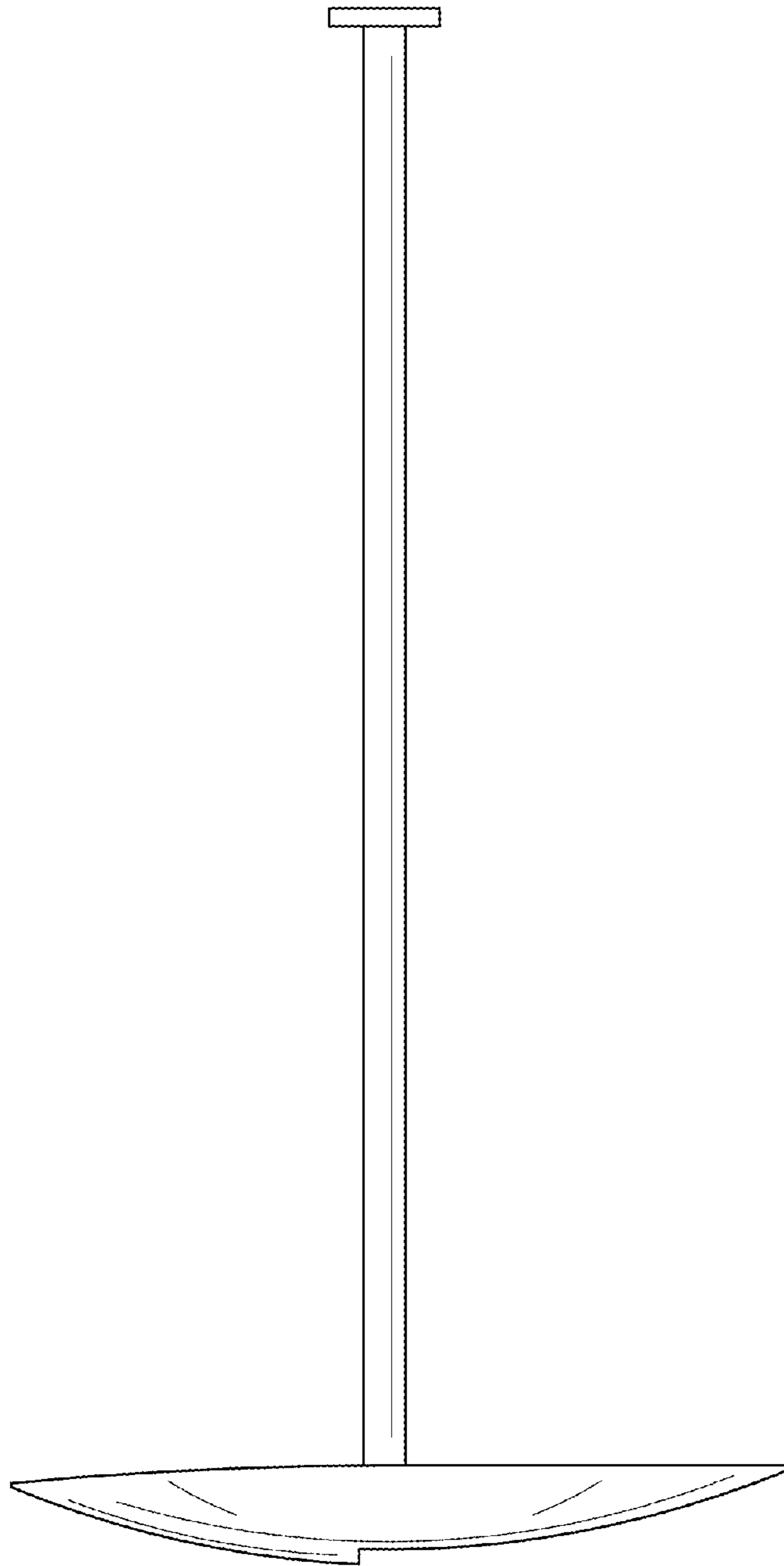


FIG. 3

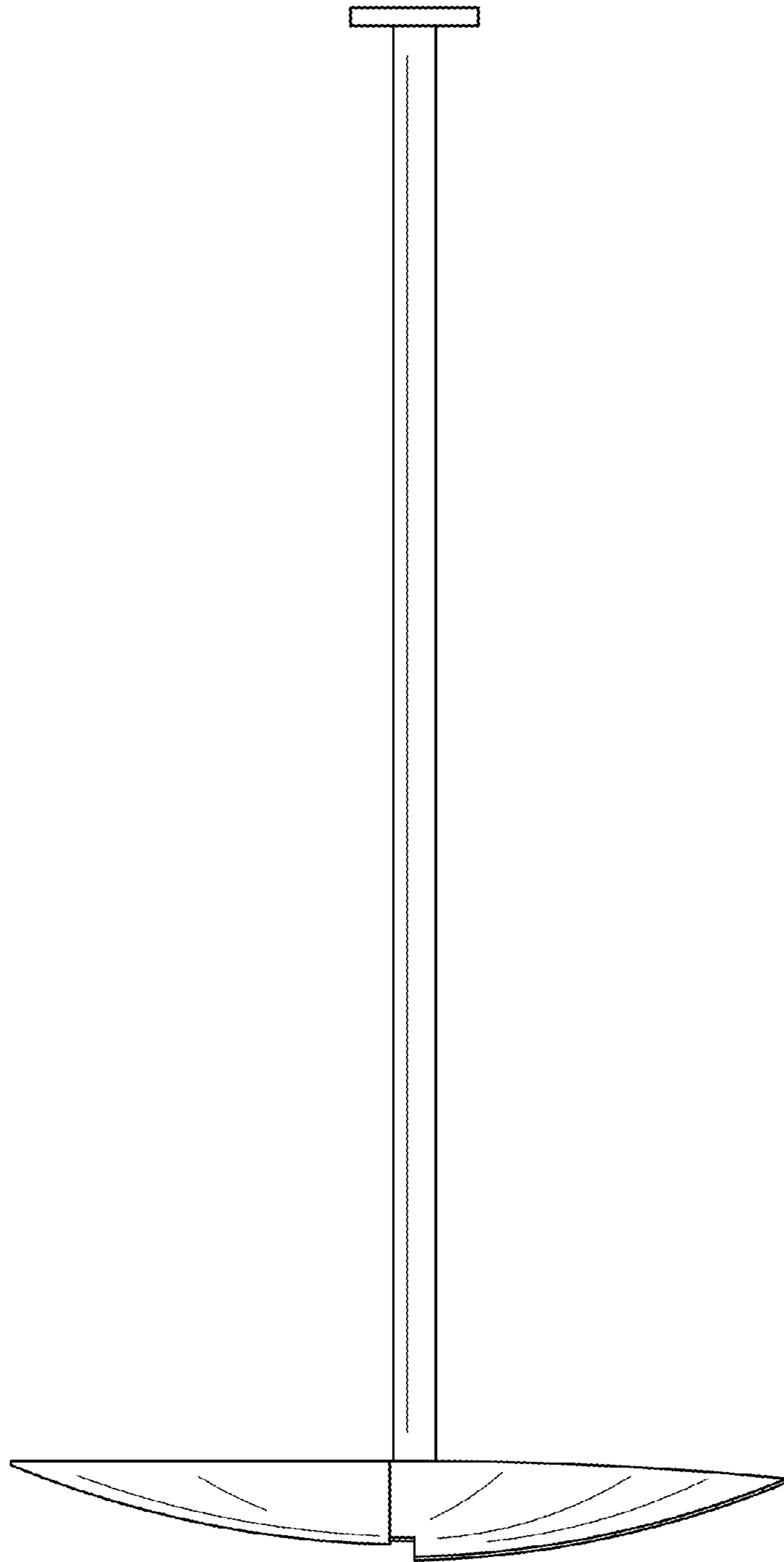
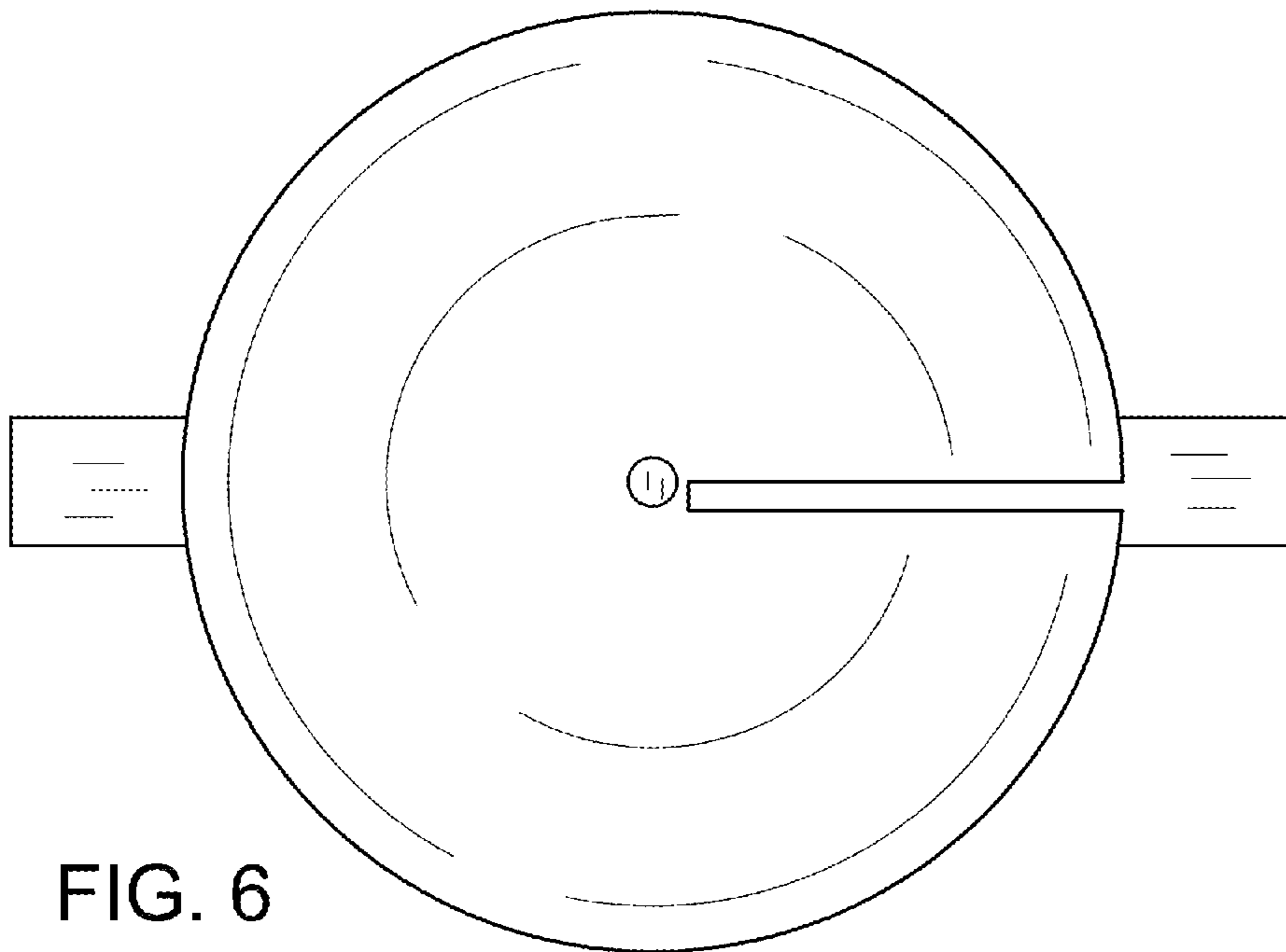
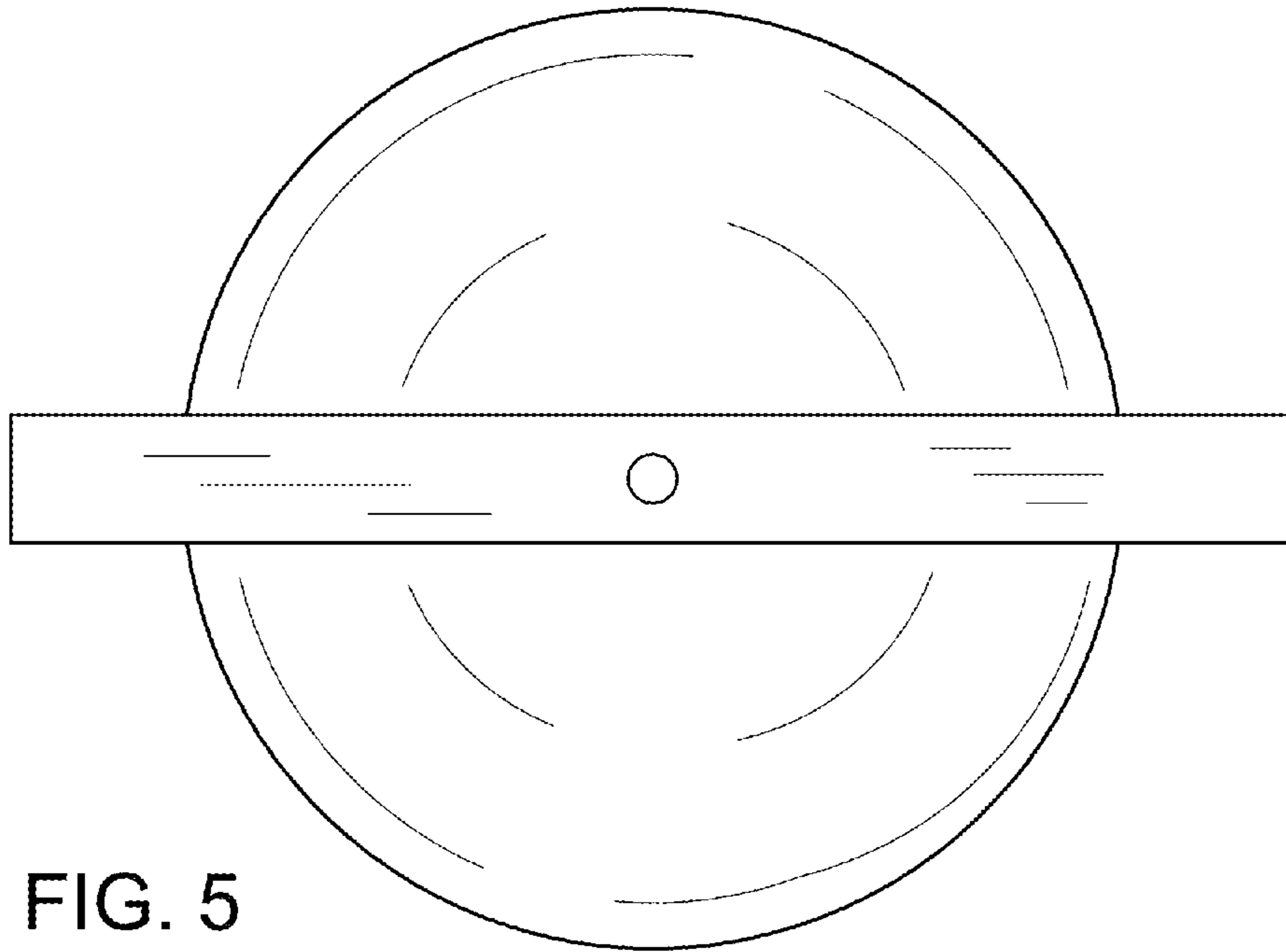


FIG. 4



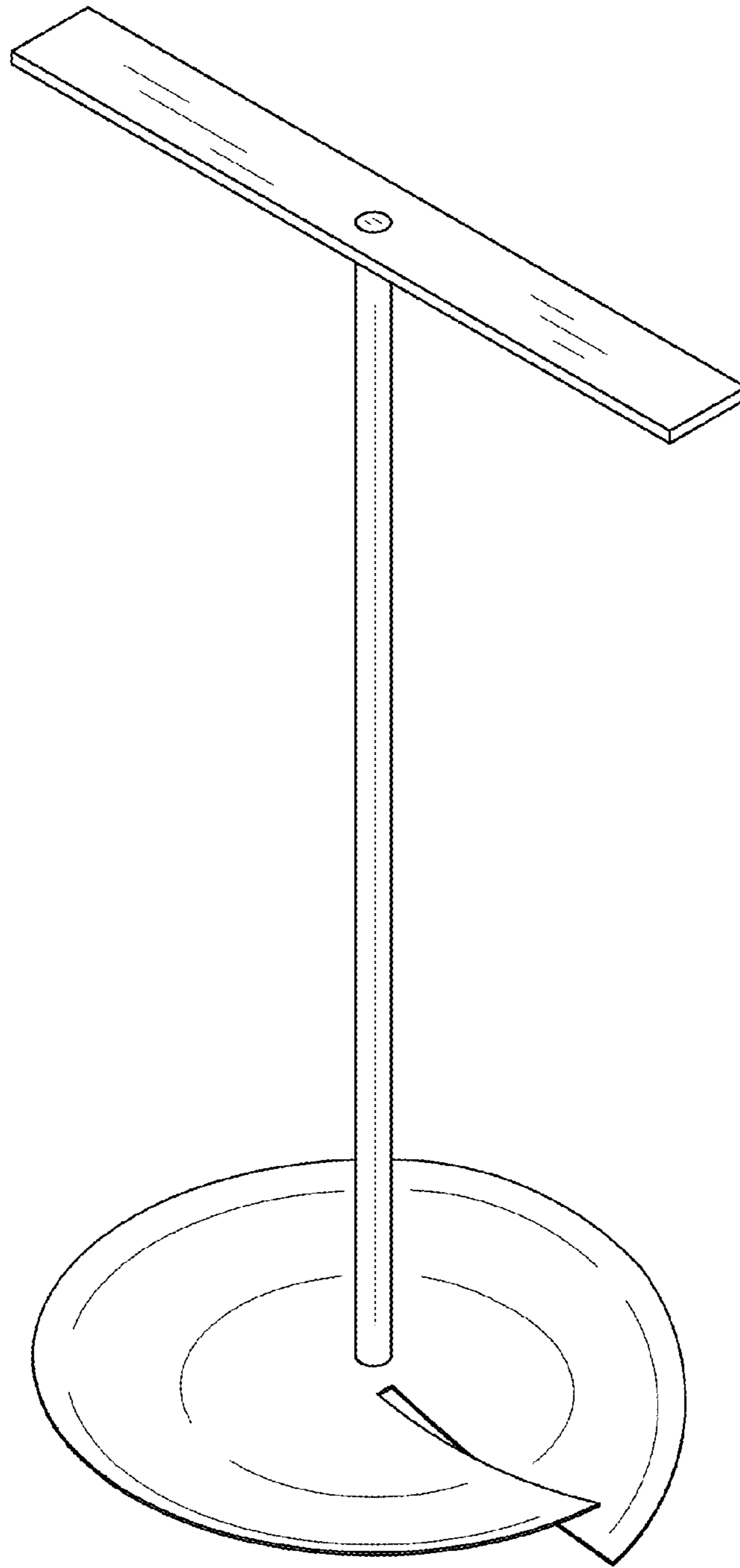


FIG. 7

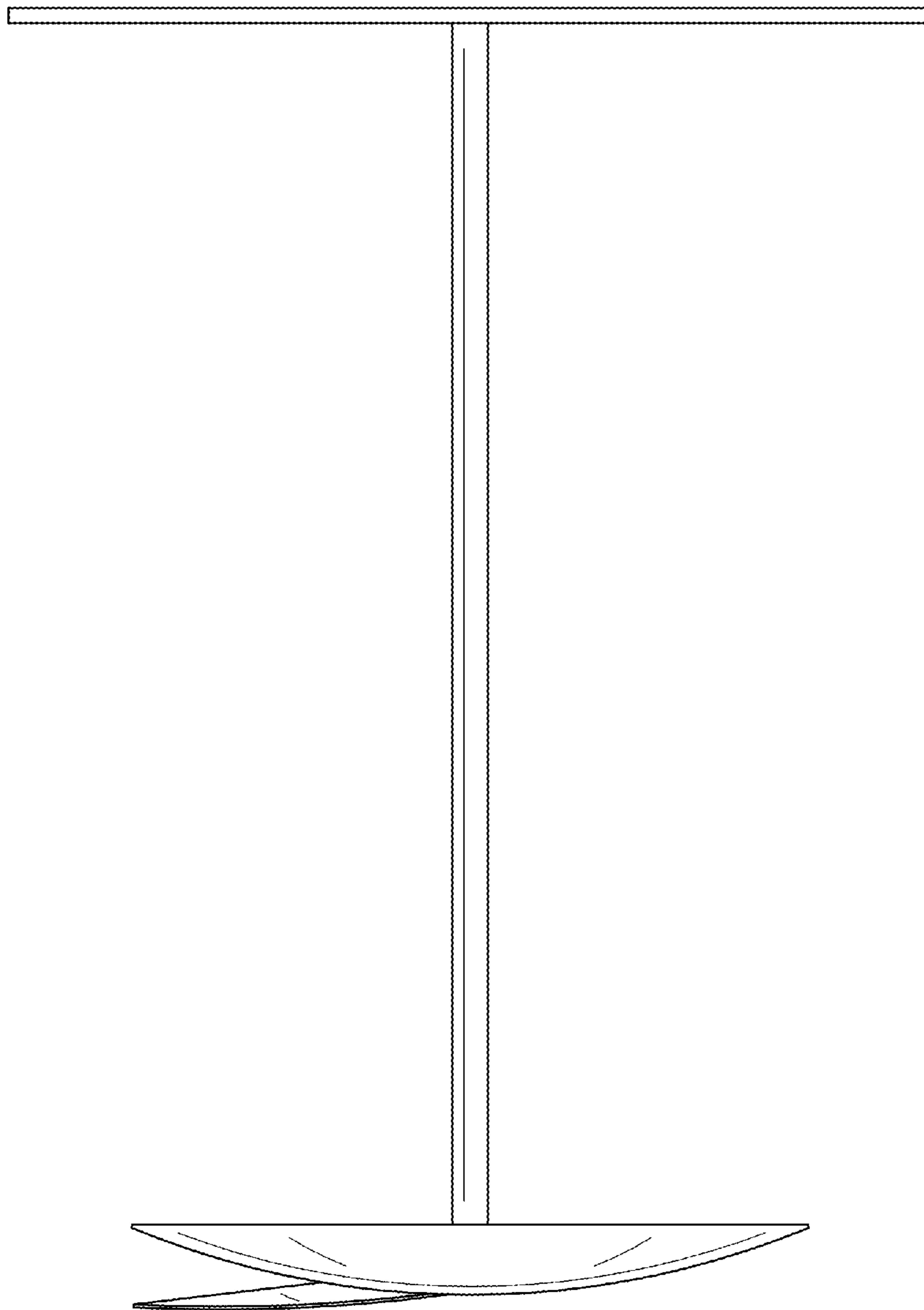


FIG. 8

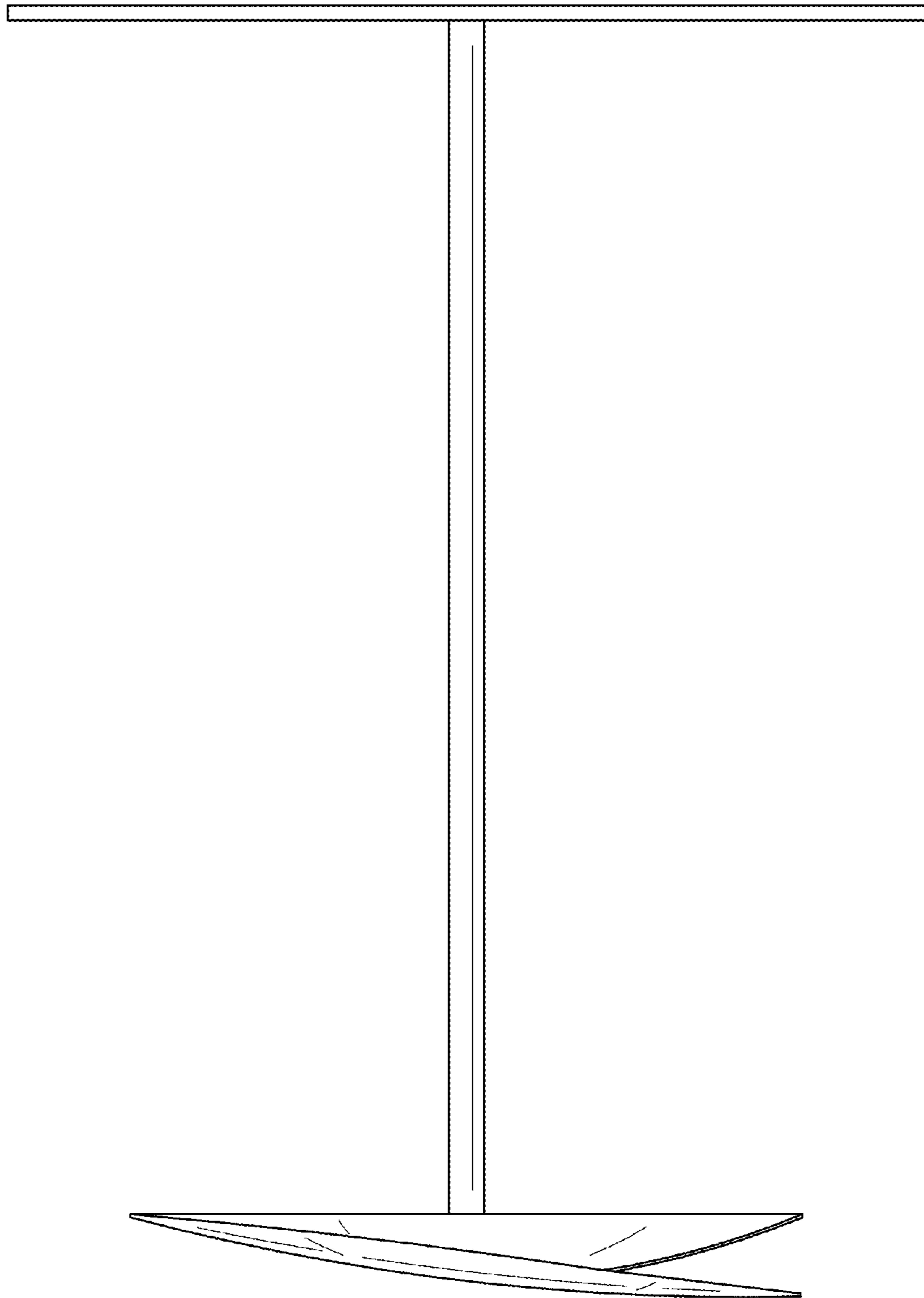


FIG. 9

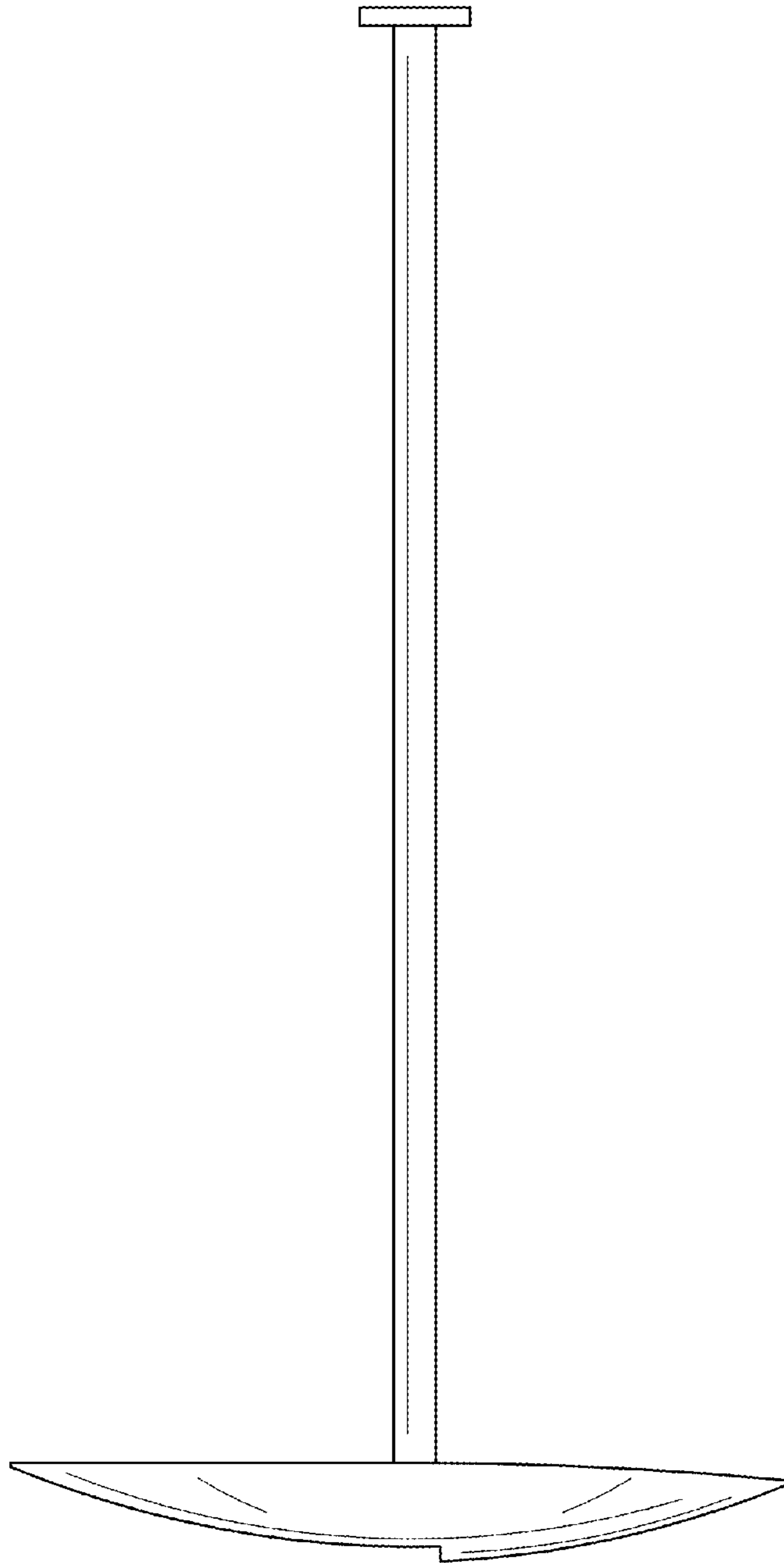


FIG. 10

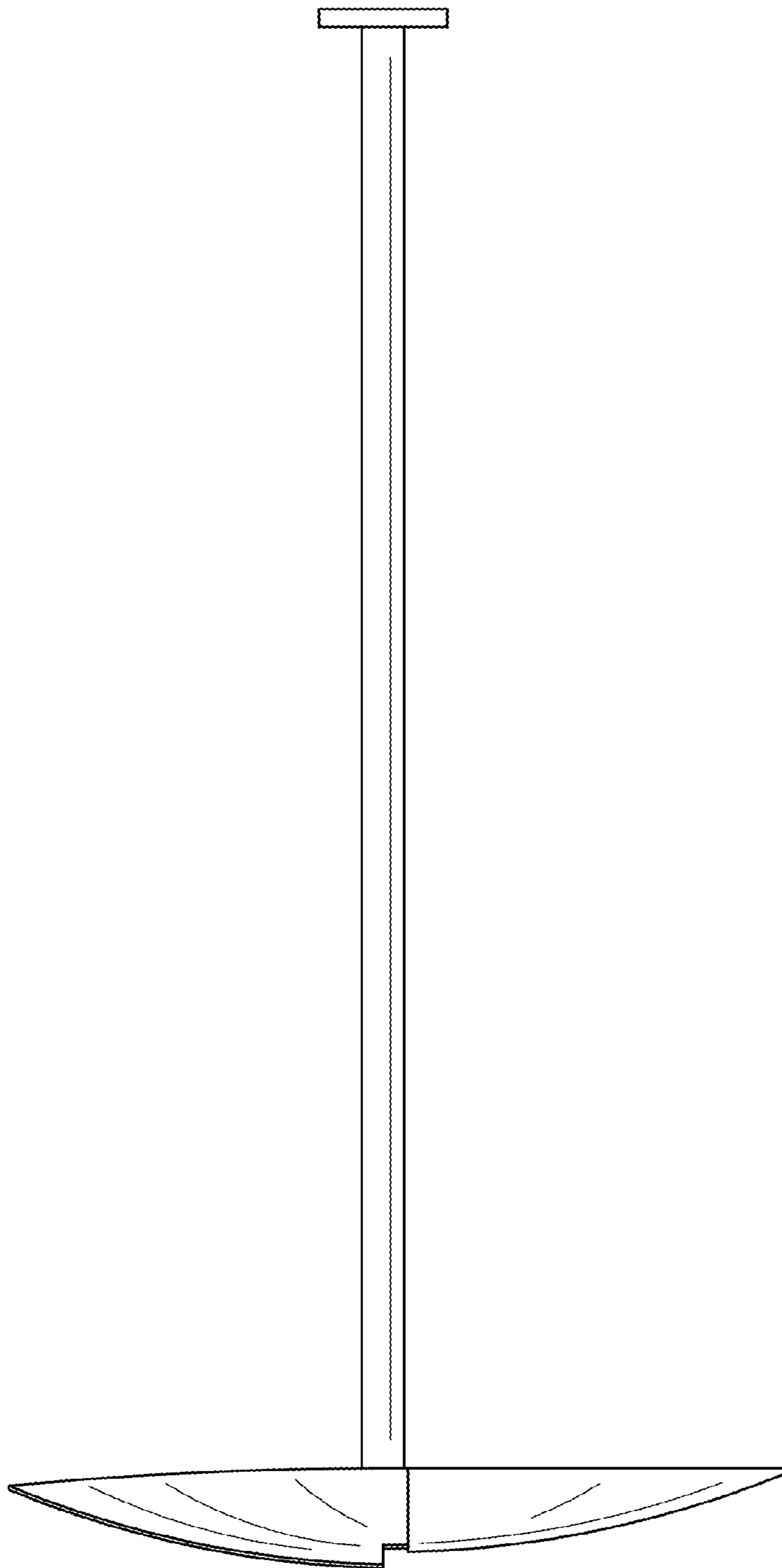


FIG. 11

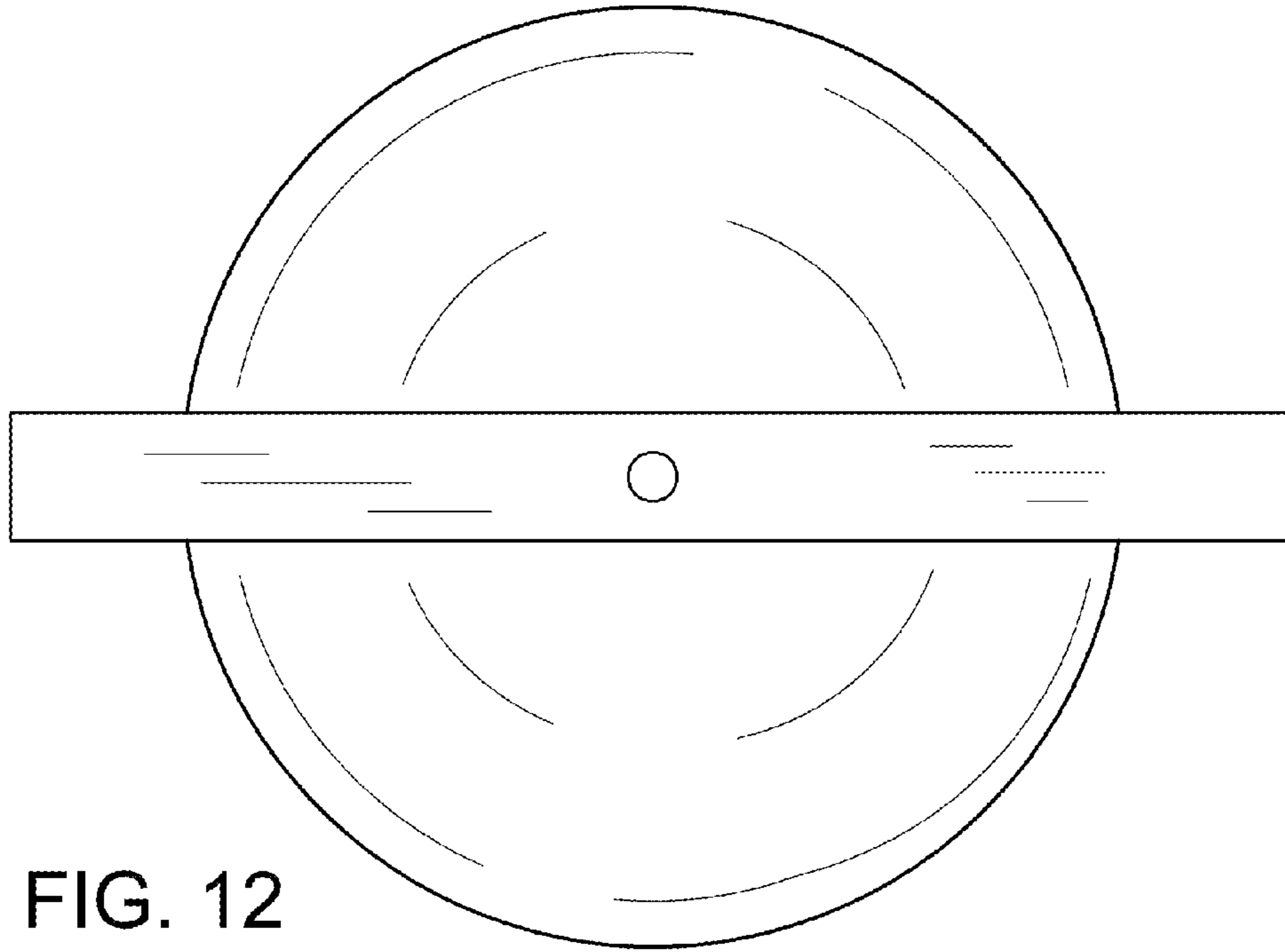


FIG. 12

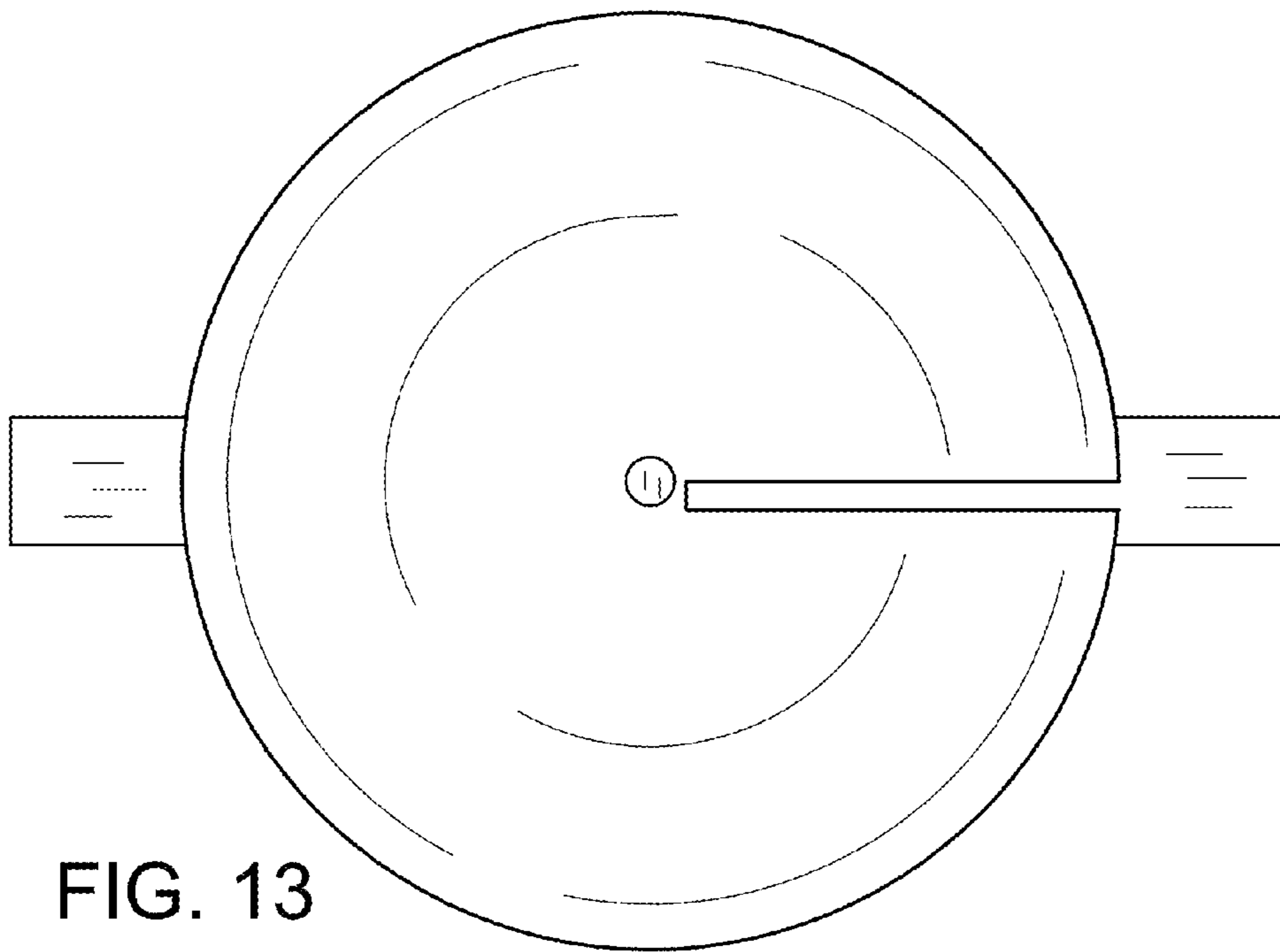


FIG. 13

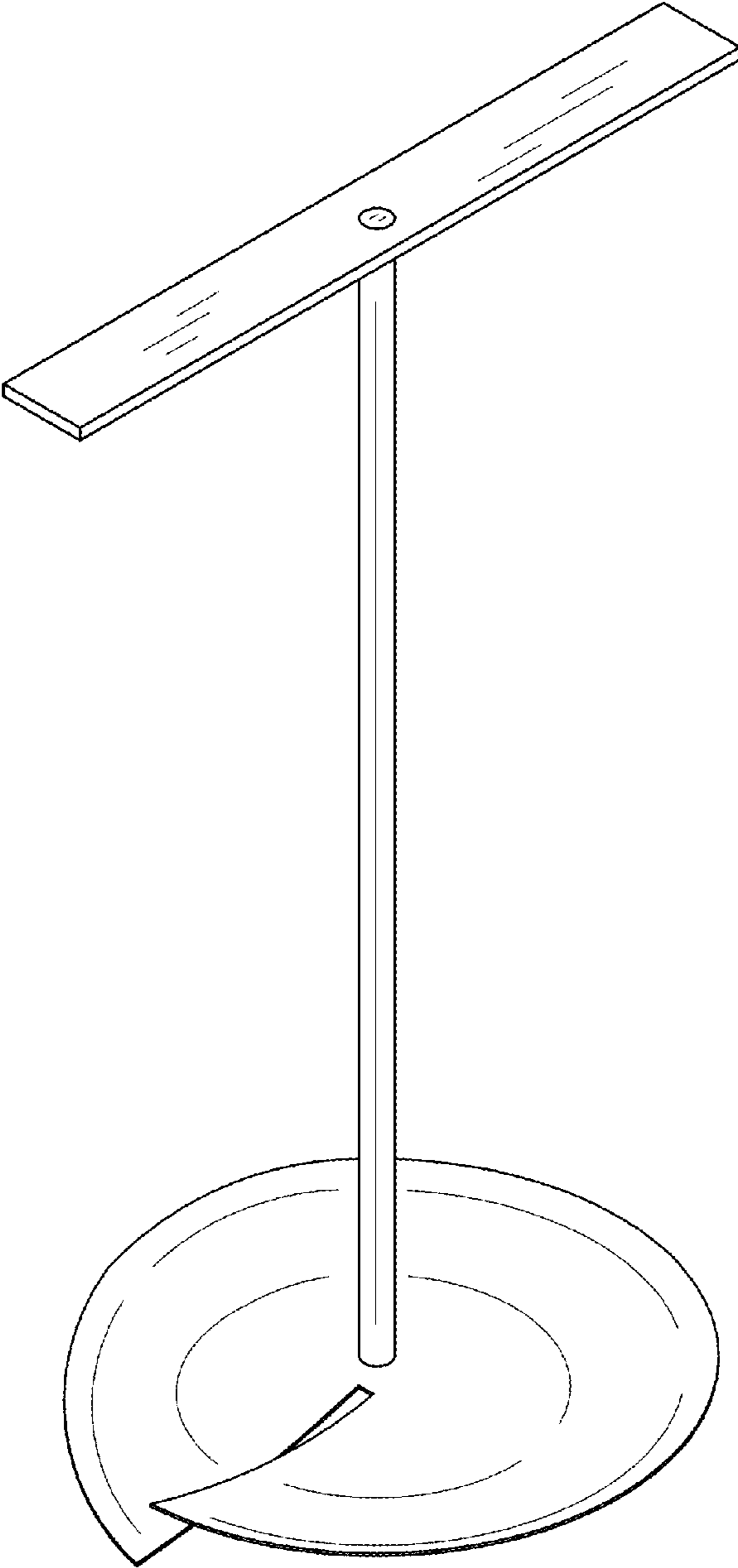


FIG. 14