



US00D764239S

(12) **United States Design Patent**
Glassman et al.

(10) **Patent No.:** **US D764,239 S**

(45) **Date of Patent:** **** Aug. 23, 2016**

(54) **CONTAINER**

(71) Applicant: **Kindle Hill, LLC**, Gwynedd Valley, PA (US)

(72) Inventors: **Saly A. Glassman**, Gwynedd Valley, PA (US); **Robyn Yantes**, Philadelphia, PA (US); **Scott J. Soma**, Media, PA (US)

(73) Assignee: **KINDLE HILL, LLC**, Gwynedd Valley, PA (US)

(**) Term: **14 Years**

(21) Appl. No.: **29/507,483**

(22) Filed: **Oct. 28, 2014**

(51) **LOC (10) Cl.** **07-02**

(52) **U.S. Cl.**
USPC **D7/637**

(58) **Field of Classification Search**
USPC D7/601-603, 612, 615, 629, 630, 631, D7/637-641; D19/65, 75, 81-85; 76/82, 76/84, 86; 211/13.1, 60.1, 70, 70.6, 70.7; 248/37.3, 37.6

CPC A47G 21/00; A47G 21/14; A47F 5/16; A47F 7/00; A47F 7/0028; A47F 7/283; B26B 3/00; B26B 27/00

See application file for complete search history.

(56) **References Cited**

U.S. PATENT DOCUMENTS

2,682,950 A	7/1954	Mercer	
D303,001 S *	8/1989	Su	D22/118
D306,235 S	2/1990	Tamamura	
D367,526 S *	2/1996	Bignon	D23/366
D391,851 S *	3/1998	Joergensen	D9/434
D404,917 S	2/1999	Miller et al.	
D409,805 S *	5/1999	Lion	D32/35
5,921,383 A	7/1999	Shefler et al.	
D429,970 S	8/2000	Liu	
D430,727 S	9/2000	Wisniewski	

D479,401 S	9/2003	Claypool	
D480,277 S	10/2003	Claypool	
D508,839 S *	8/2005	Brown	D8/99
D550,516 S	9/2007	Tsai	
RE40,108 E	2/2008	Kuo	
7,367,449 B2	5/2008	Kaminski et al.	
D590,213 S *	4/2009	Young	D7/631

(Continued)

FOREIGN PATENT DOCUMENTS

CN	86201107 U	3/1987
CN	201668224 U	12/2010

(Continued)

OTHER PUBLICATIONS

International Search Report issued Apr. 1, 2013 in Int'l Application No. PCT/US2013/021123.

Int'l Preliminary Report on Patentability issued Jul. 24, 2014 in Int'l Application No. PCT/US2013/021123.

Primary Examiner — Derrick Holland

Assistant Examiner — Janice Lim

(74) *Attorney, Agent, or Firm* — Panitch Schwarze Belisario & Nadel LLP

(57) **CLAIM**

The ornamental design for a container, as shown and described.

DESCRIPTION

FIG. 1 is a front perspective view of a container, showing my new design;

FIG. 2 is a top plan view thereof;

FIG. 3 is a bottom plan view thereof;

FIG. 4 is a side elevational view thereof;

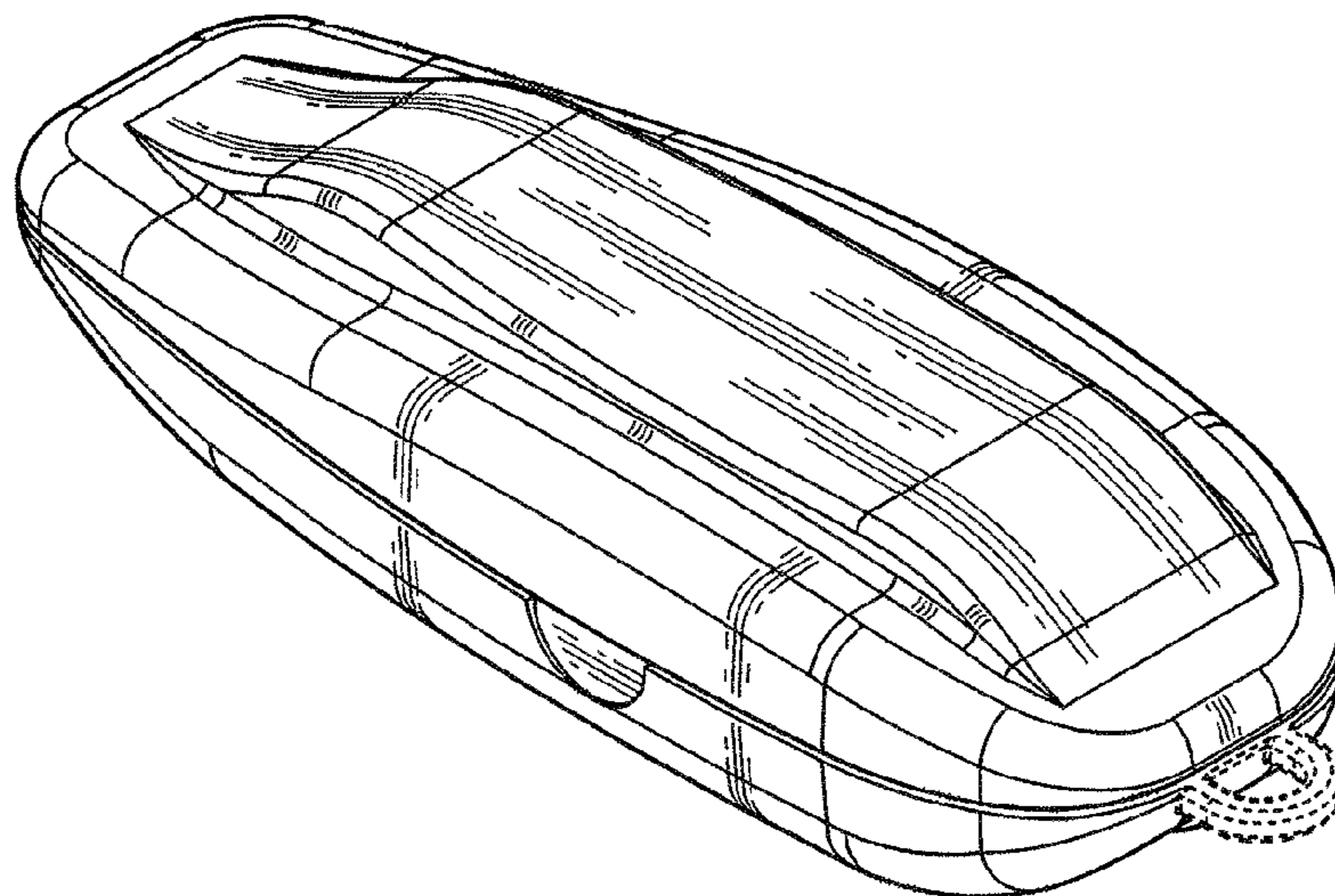
FIG. 5 is an opposite side elevational view thereof;

FIG. 6 is a front elevational view thereof; and,

FIG. 7 is a rear elevational view thereof.

The broken line portions are included to show unclaimed subject matter only and form no part of the claimed design.

1 Claim, 4 Drawing Sheets



(56)

References Cited

FOREIGN PATENT DOCUMENTS

U.S. PATENT DOCUMENTS

D612,148 S 3/2010 Treece et al.
D625,913 S 10/2010 Phillips
D673,430 S 1/2013 Glassman
D684,675 S * 6/2013 Irvin D23/366

CN 201759268 U 3/2011
RU 77761 U1 11/2008
TW M311360 U 5/2007

* cited by examiner

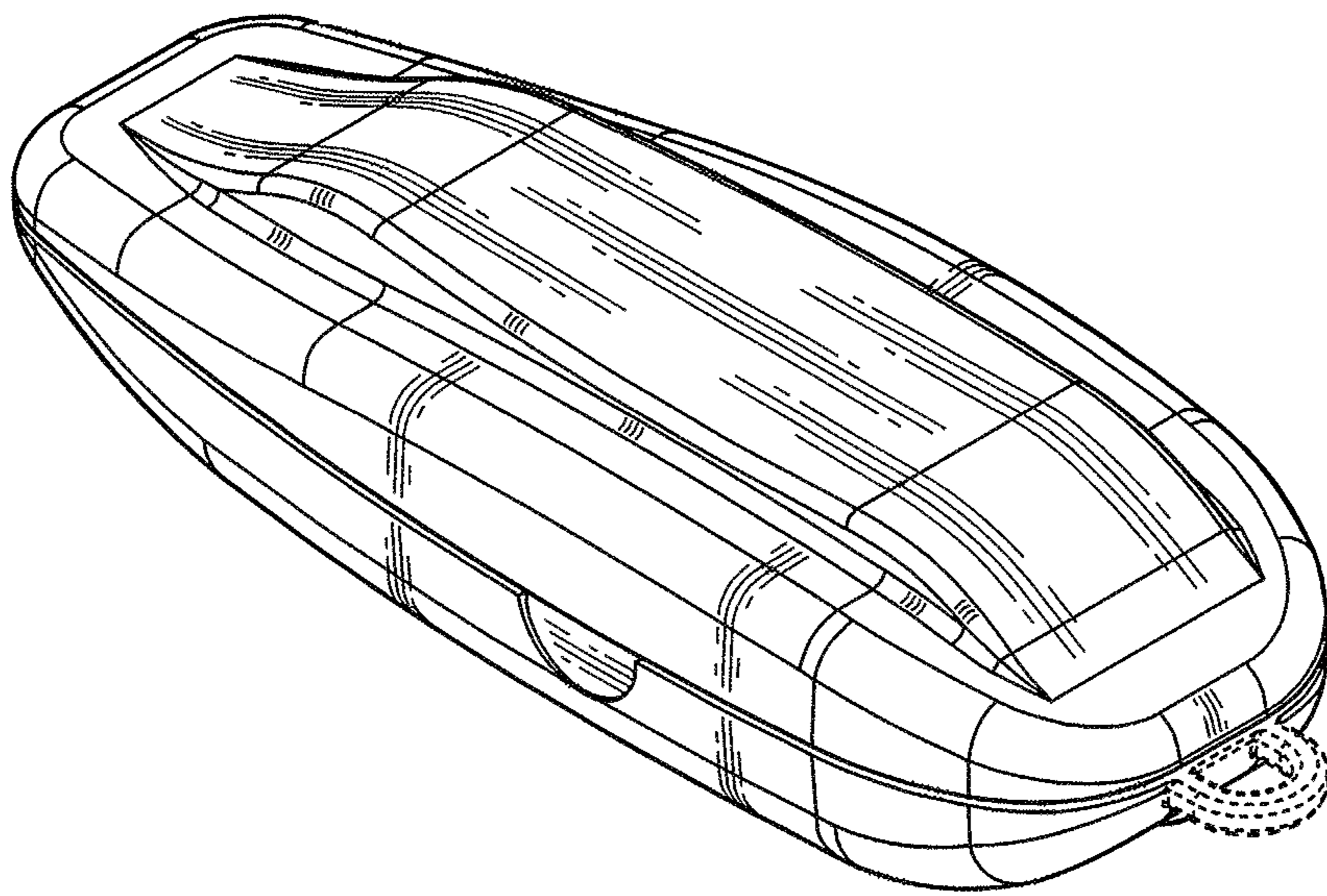


FIG. 1

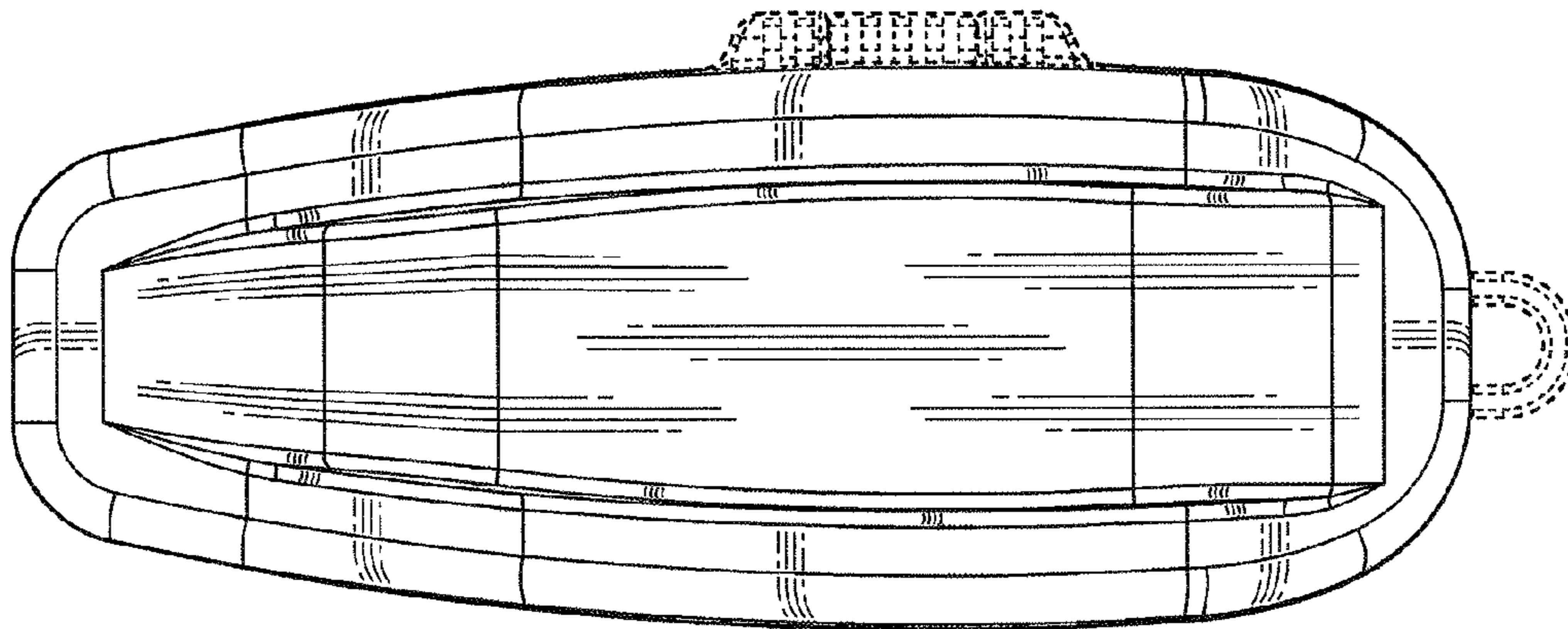


FIG. 2

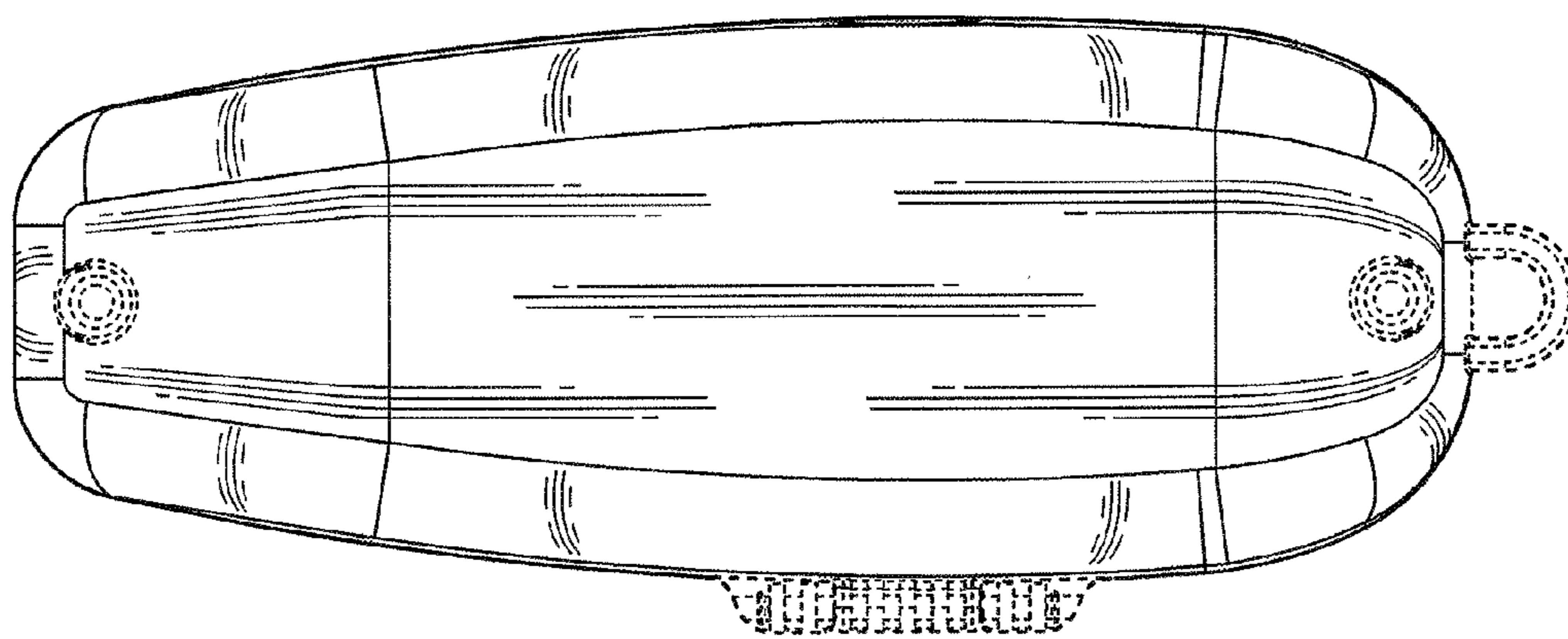


FIG. 3

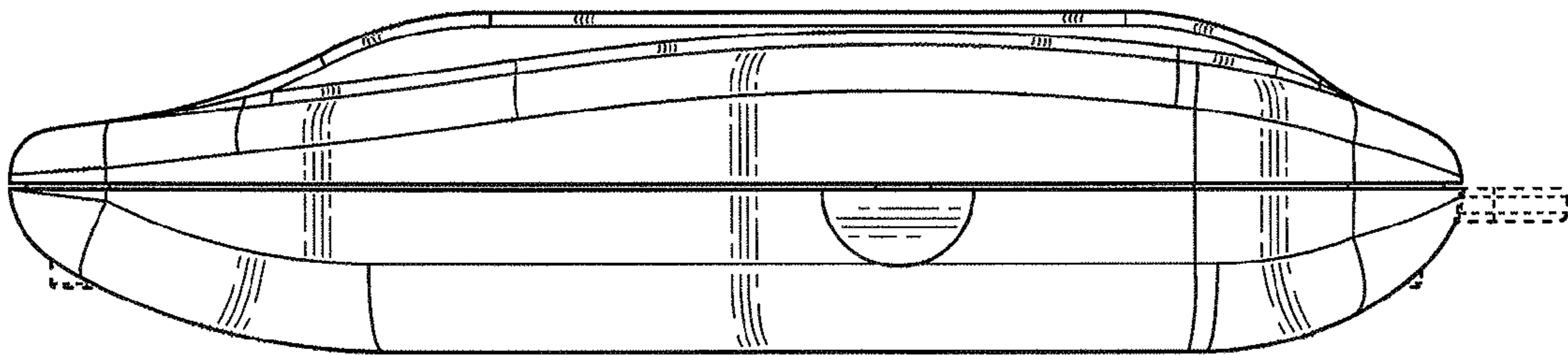


FIG. 4

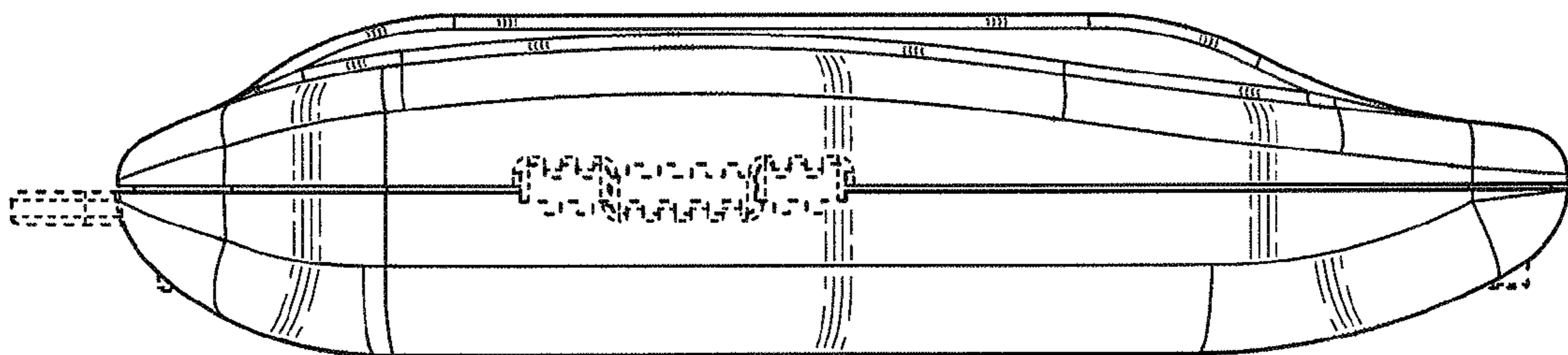


FIG. 5

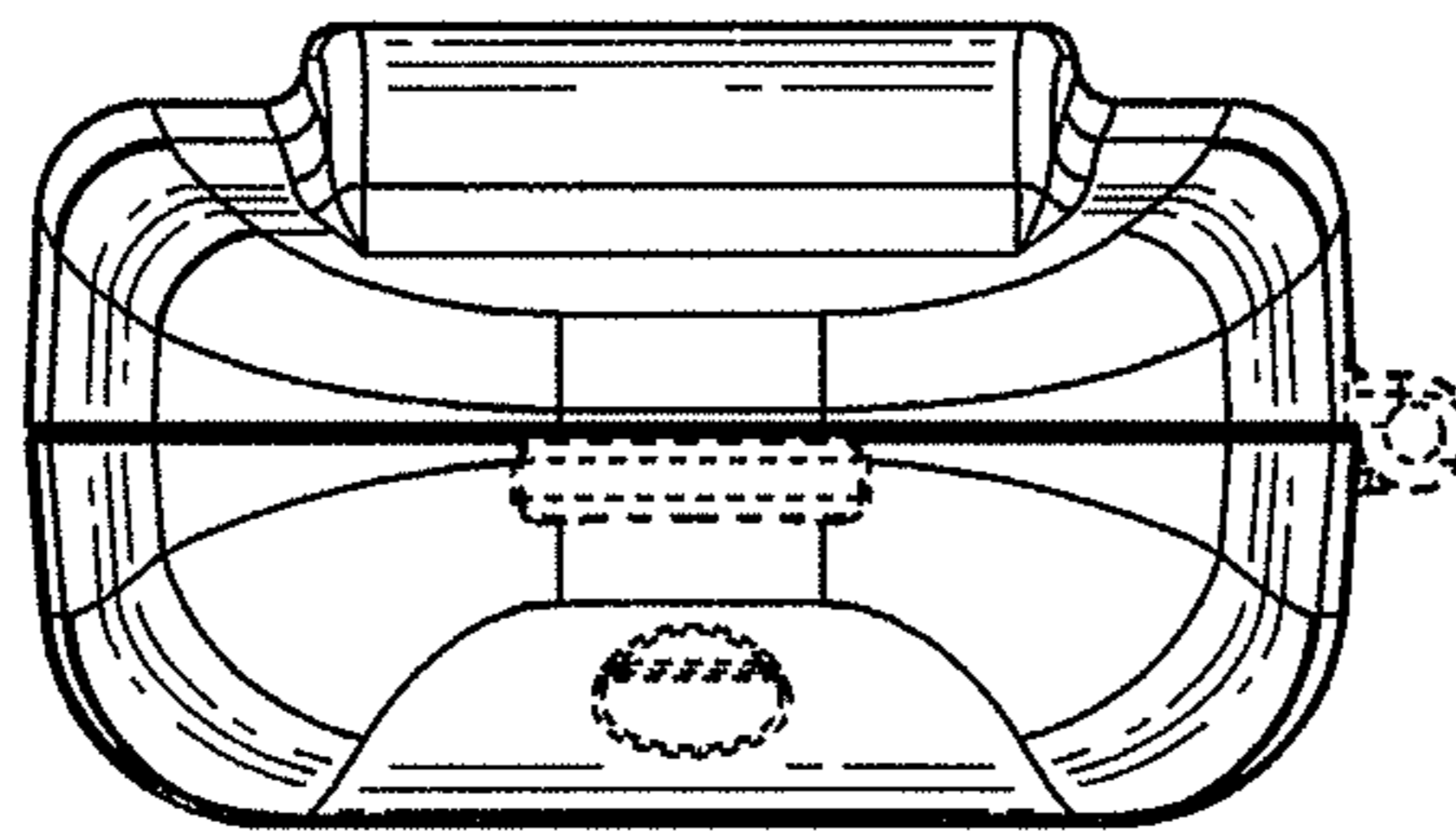


FIG. 6

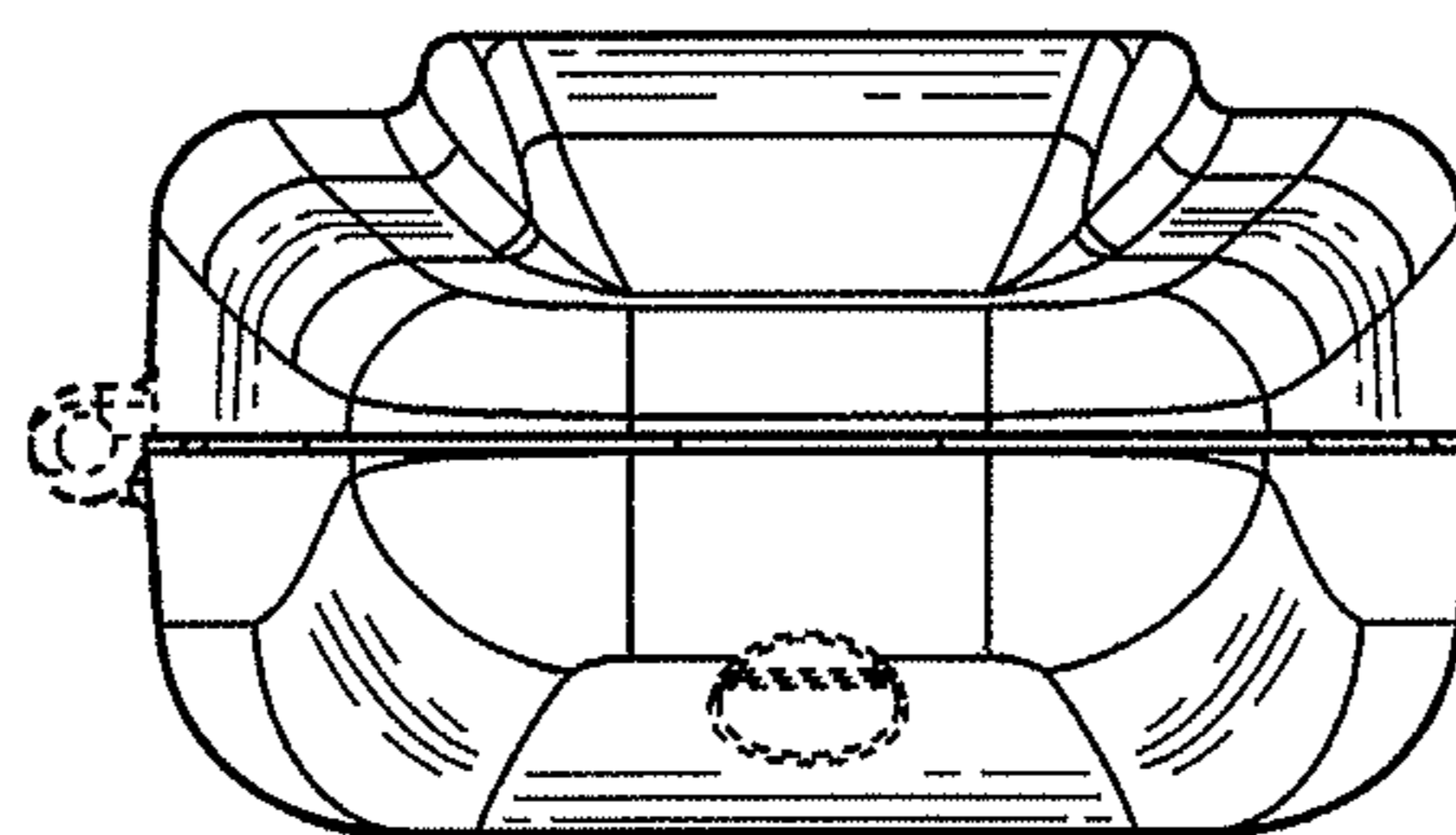


FIG. 7