



US00D764238S

(12) **United States Design Patent** (10) **Patent No.:** **US D764,238 S**
Guindi et al. (45) **Date of Patent:** **** Aug. 23, 2016**

(54) **UTENSIL HOLDER**

(71) Applicants: **Henry V. Guindi**, Brooklyn, NY (US);
Juan C. Escobar, Edgewater, NJ (US)

(72) Inventors: **Henry V. Guindi**, Brooklyn, NY (US);
Juan C. Escobar, Edgewater, NJ (US)

(73) Assignee: **HDS TRADING CORP.**, North
Brunswick, NJ (US)

(**) Term: **14 Years**

(21) Appl. No.: **29/504,433**

(22) Filed: **Oct. 6, 2014**

(51) **LOC (10) Cl.** **07-99**

(52) **U.S. Cl.**
USPC **D7/637**

(58) **Field of Classification Search**
USPC D7/601–603, 612, 615, 629, 630, 631,
D7/637–641; D19/65, 75, 81–85; 76/82,
76/84, 86; 211/13.1, 60.1, 70, 70.6, 70.7;
248/37.3, 37.6
CPC A47F 5/16; A47F 7/00; A47G 21/00;
A47G 21/14; B26B 3/00; B26B 27/00
See application file for complete search history.

(56) **References Cited**

U.S. PATENT DOCUMENTS

D185,884 S *	8/1959	Cross	D7/704
D348,079 S *	6/1994	Bogen	D19/100
D419,632 S *	1/2000	Ashcroft	D21/796
D441,222 S *	5/2001	Higazy	D6/677.2
D517,870 S *	3/2006	Perkins	D7/637
D532,259 S *	11/2006	Goodman	D7/601
D533,750 S *	12/2006	Goodman	D7/601
D539,102 S *	3/2007	Goodman	D7/601
D582,219 S *	12/2008	Prevost	D7/601
D611,995 S *	3/2010	Taylor	D21/309

* cited by examiner

Primary Examiner — Derrick Holland

Assistant Examiner — Janice Lim

(74) *Attorney, Agent, or Firm* — Ostrolenk Faber LLP

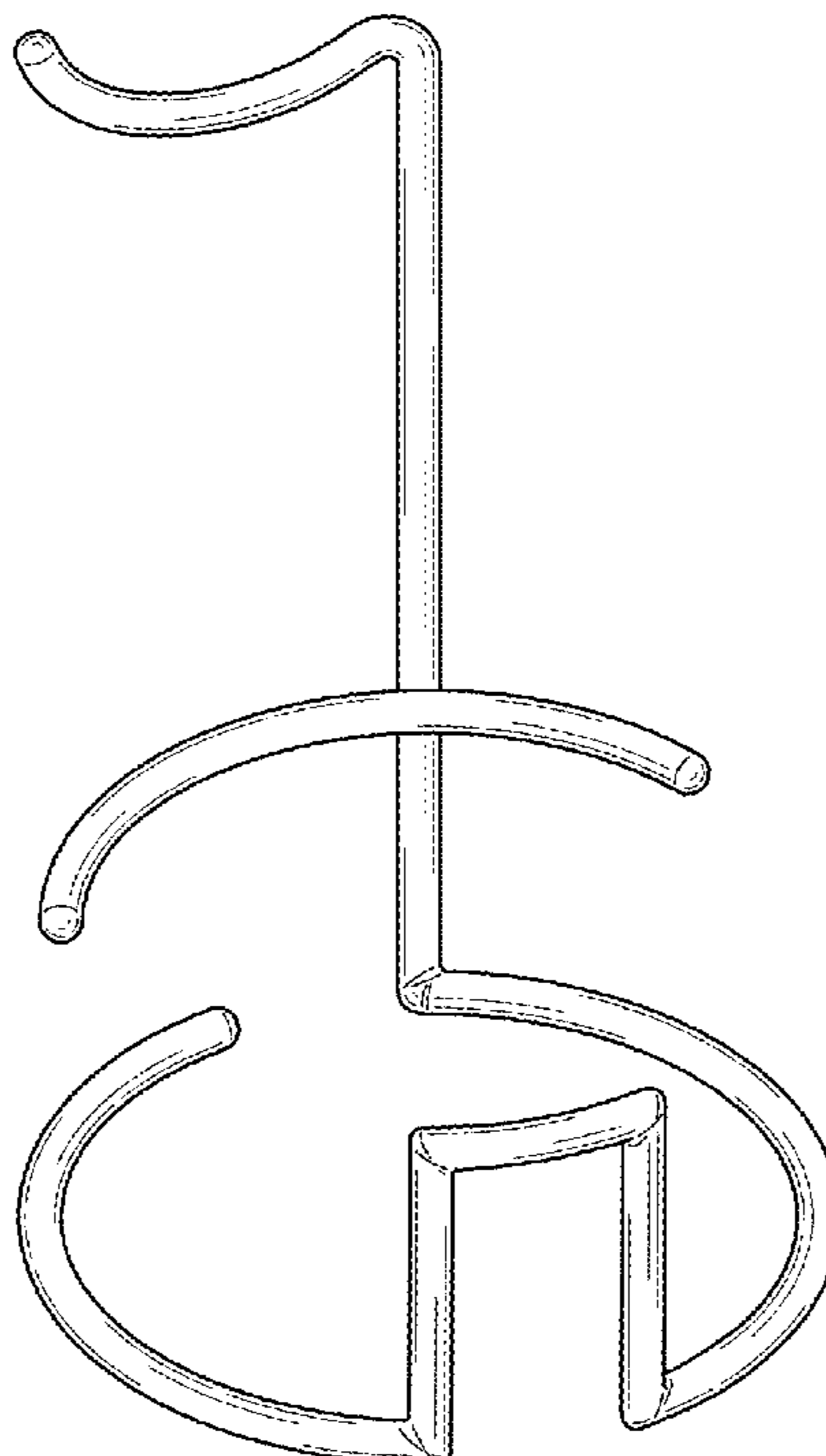
(57) **CLAIM**

The ornamental design for a utensil holder, as shown and described.

DESCRIPTION

FIG. 1 is a top, front and side perspective view of a utensil holder showing our new design;
FIG. 2 is a front view thereof;
FIG. 3 is a rear view thereof;
FIG. 4 is a side view thereof;
FIG. 5 is an opposite side view thereof;
FIG. 6 is a top plan view thereof; and,
FIG. 7 is a bottom plan view thereof.

1 Claim, 3 Drawing Sheets



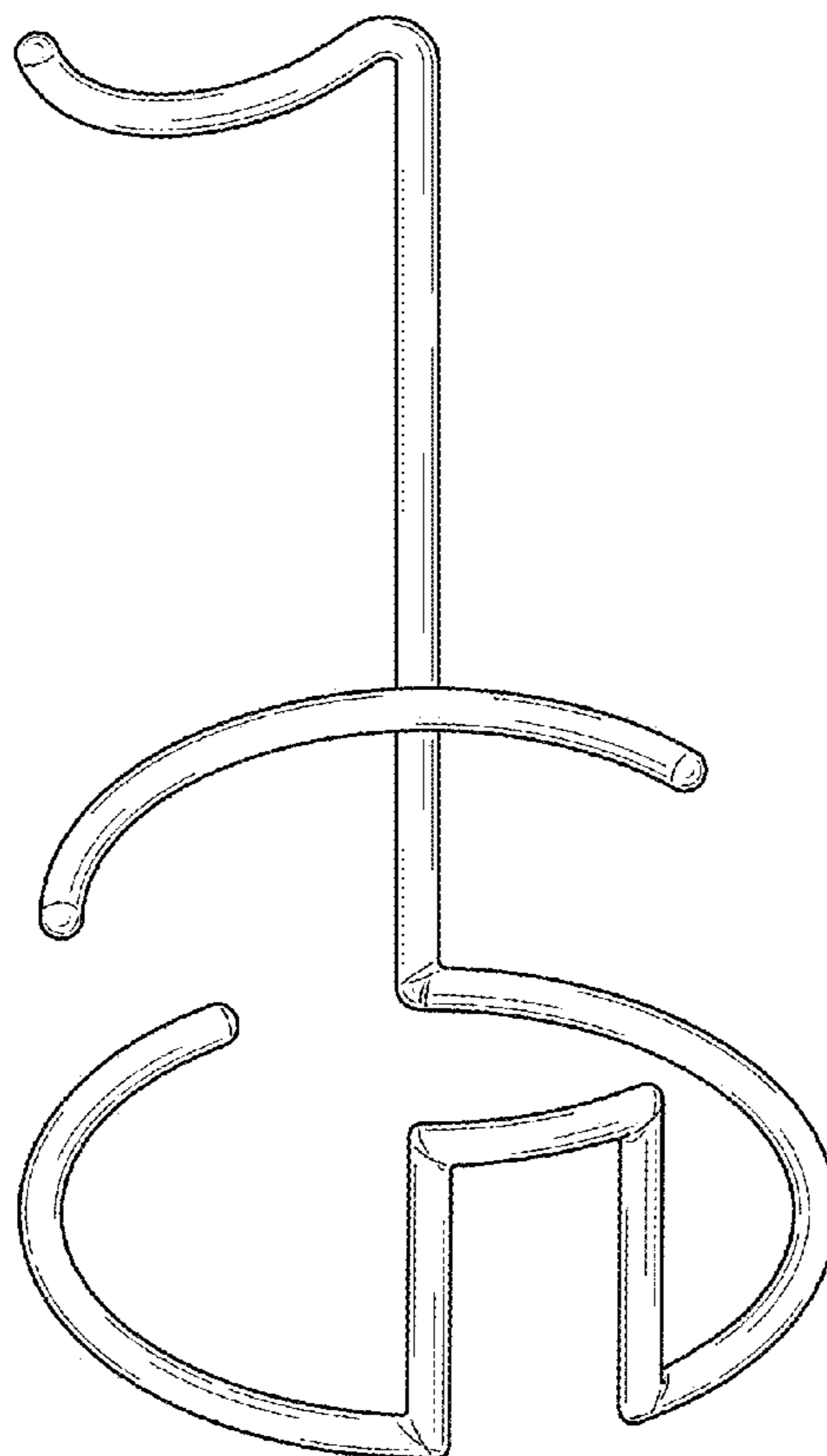


FIG. 1

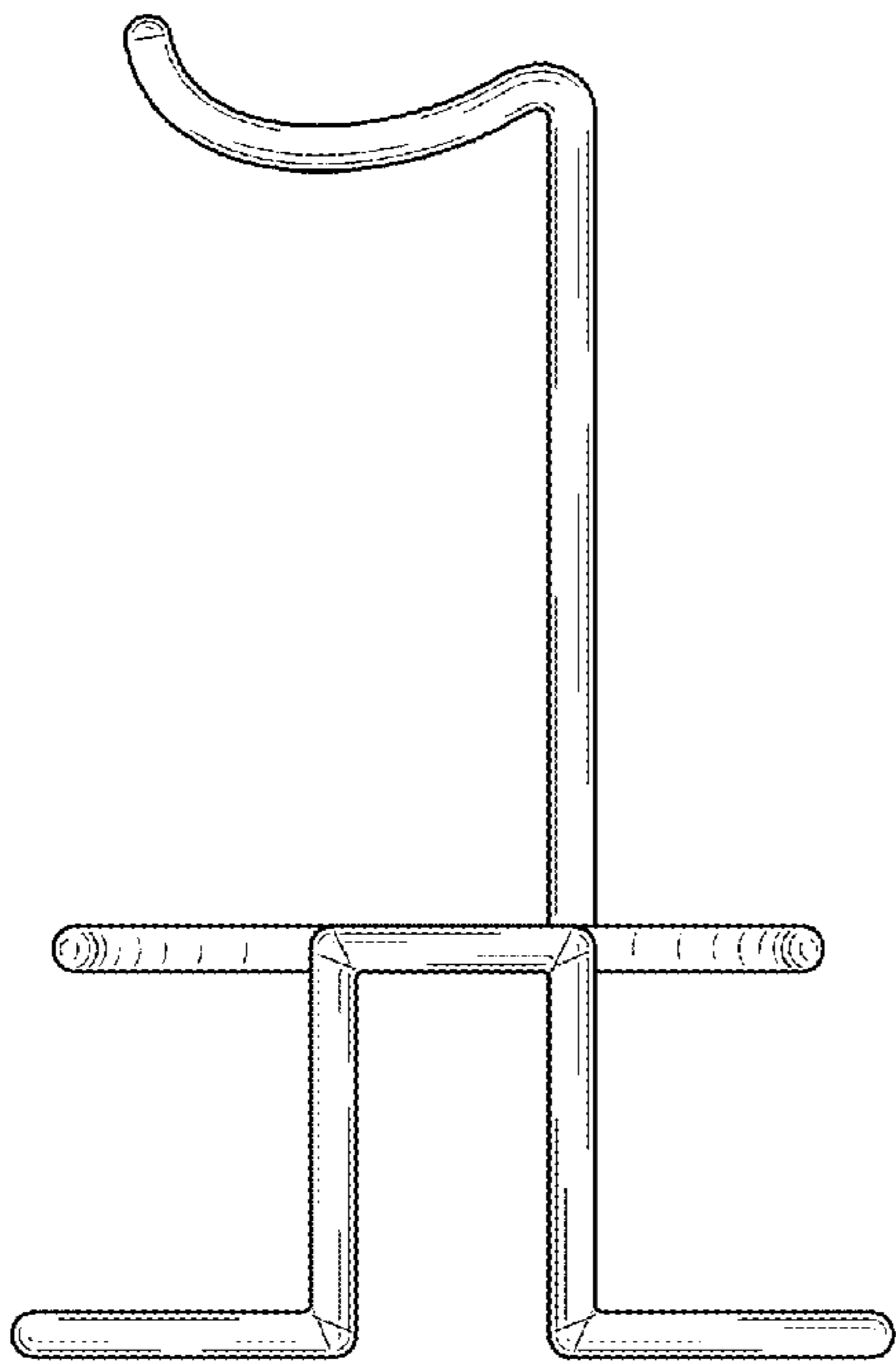


FIG. 2

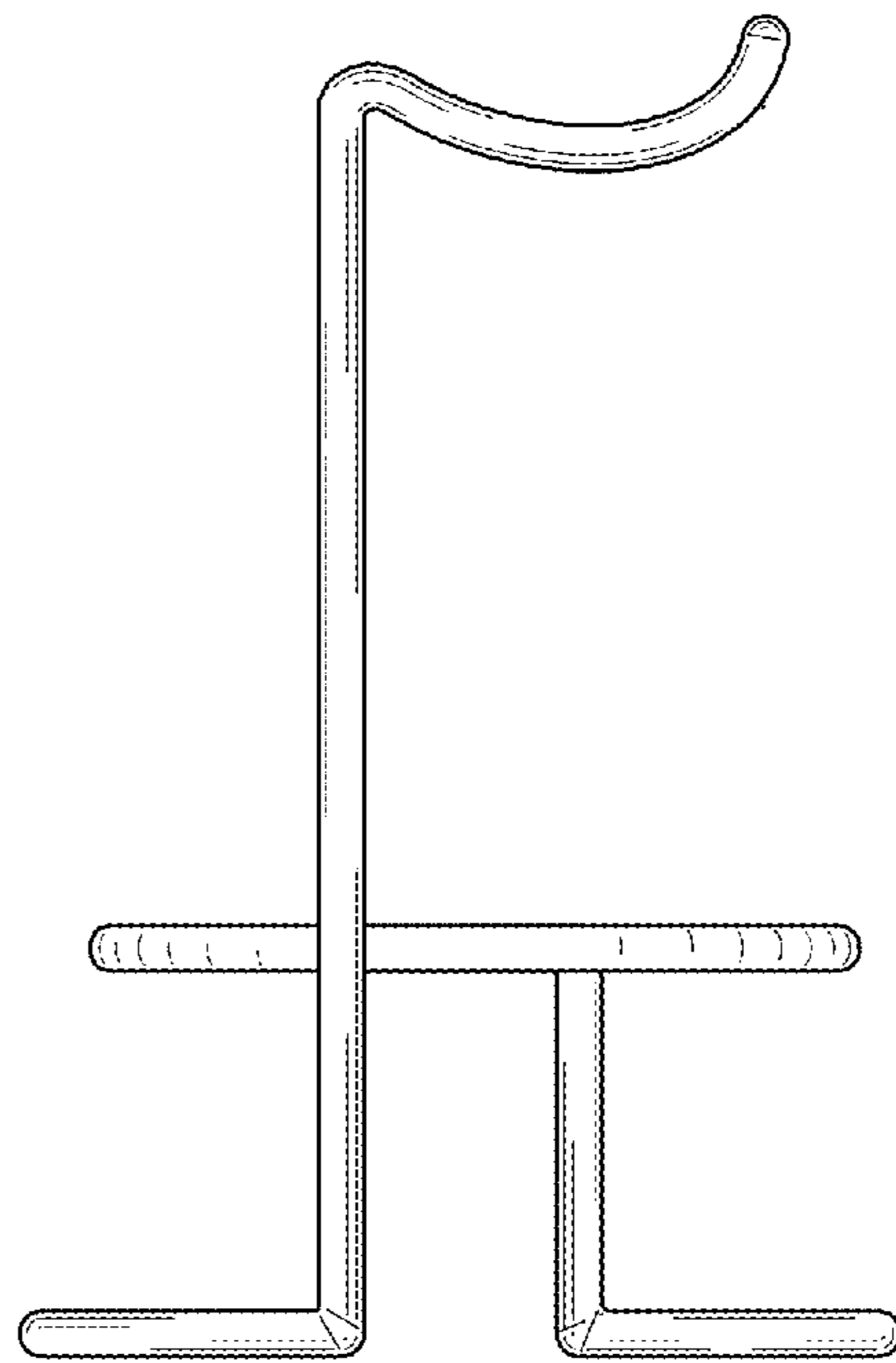


FIG. 3

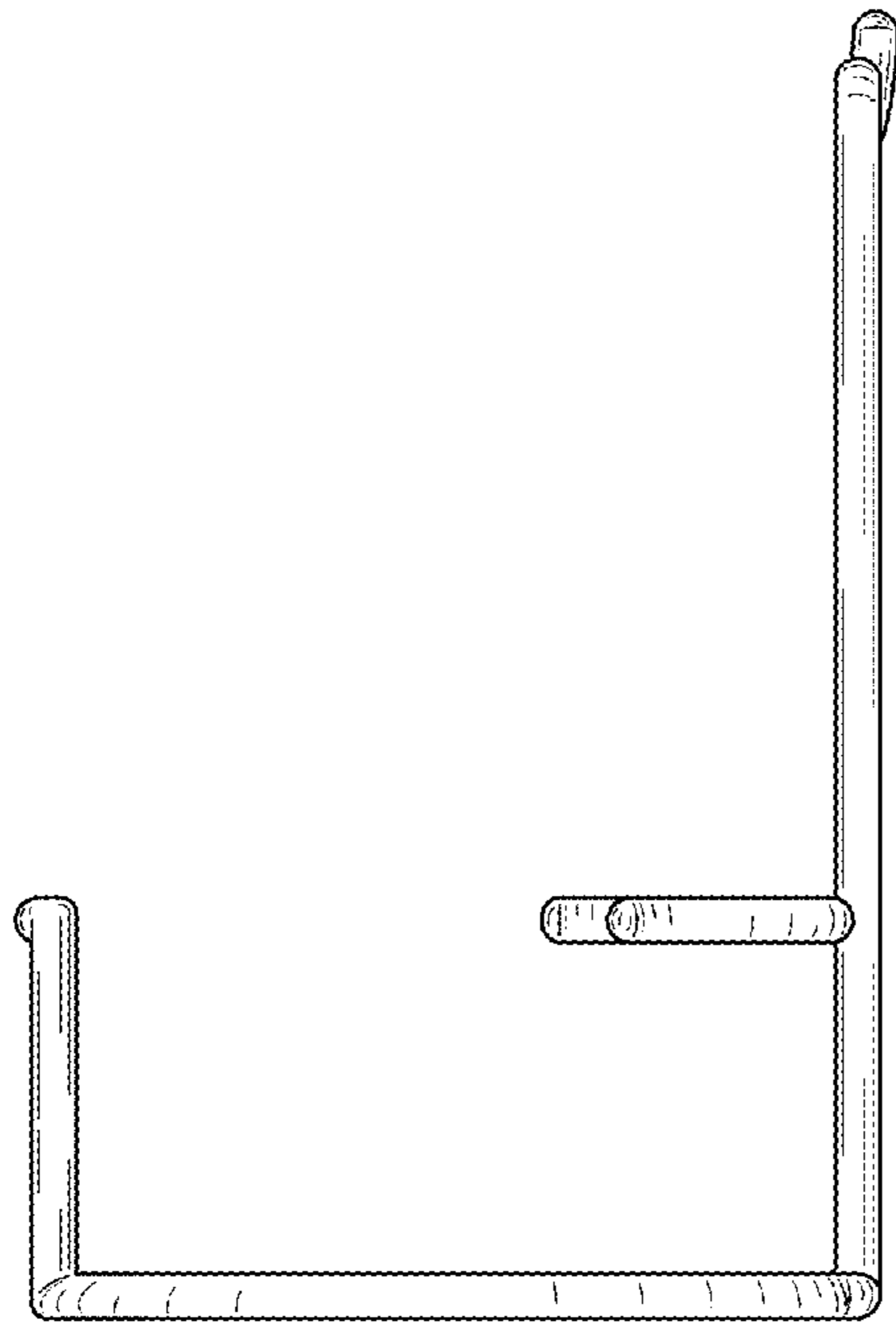


FIG. 4

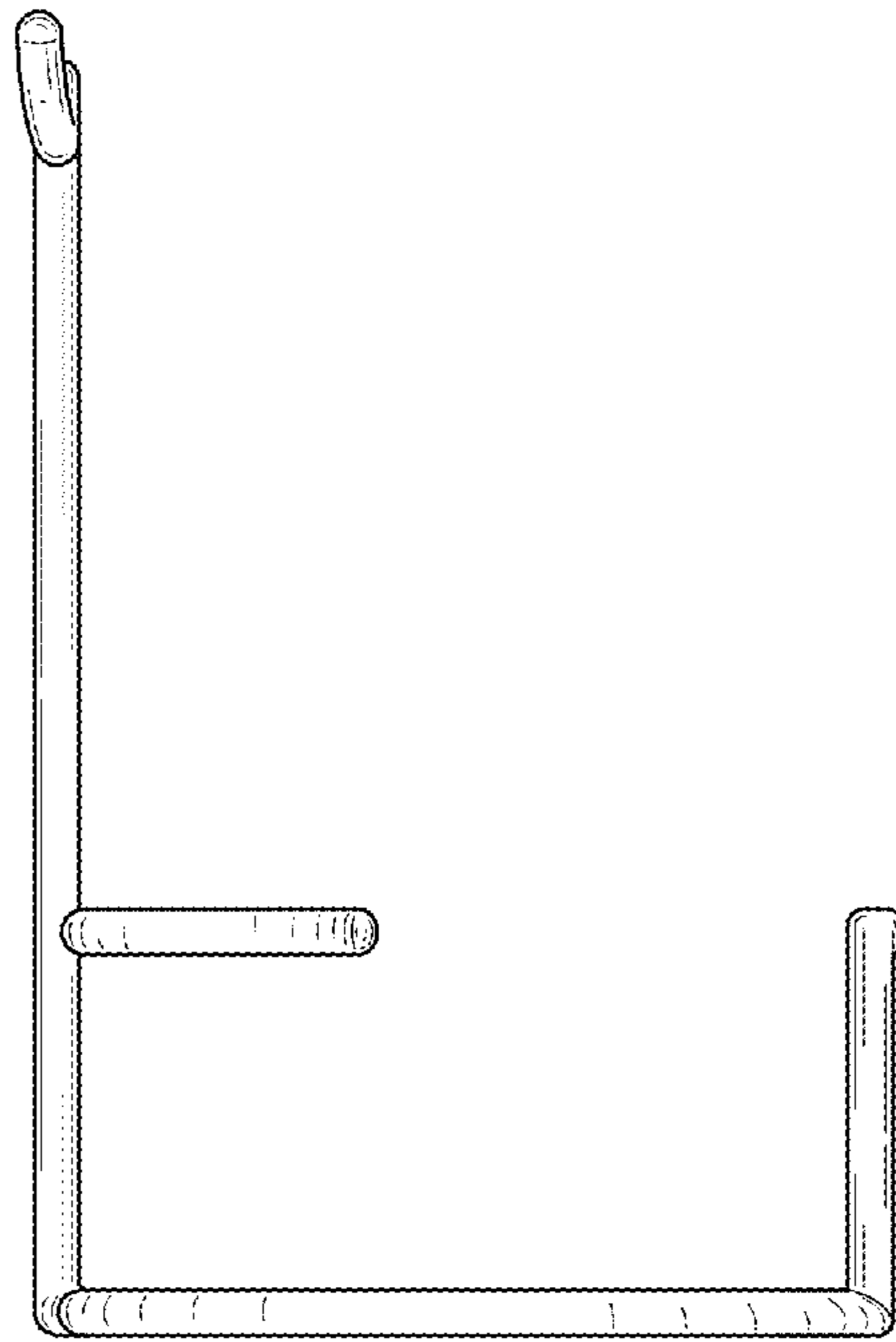


FIG. 5

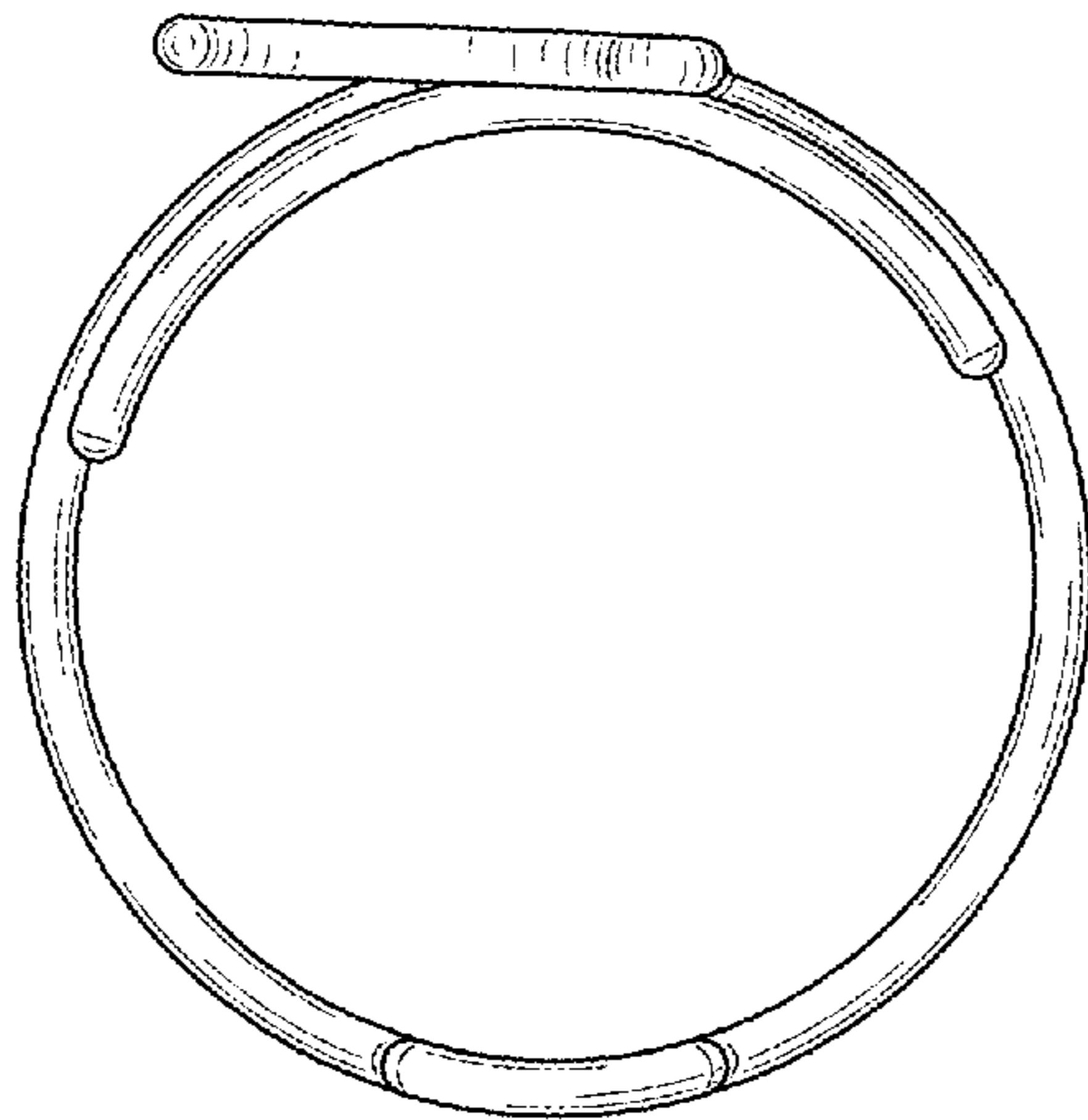


FIG. 6

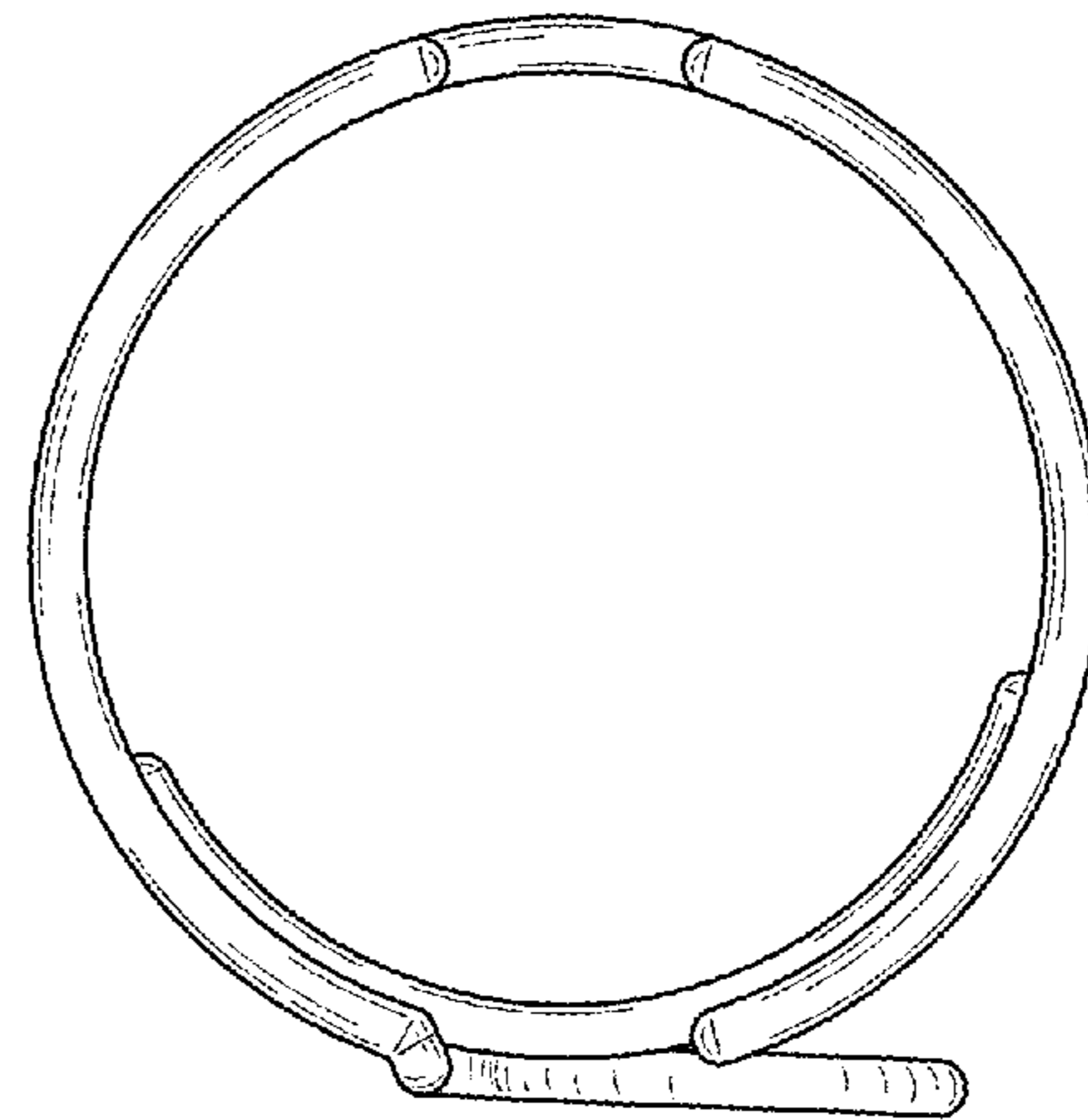


FIG. 7