



US00D764237S

(12) **United States Design Patent**
Yen et al.

(10) **Patent No.:** **US D764,237 S**

(45) **Date of Patent:** **** Aug. 23, 2016**

(54) **FOOD STORAGE CONTAINER**

(71) Applicant: **Omielife, Inc.**, San Francisco, CA (US)

(72) Inventors: **Nancy Yen**, San Francisco, CA (US);
Lucas Menanix, El Cerrito, CA (US);
Robin Bigio, San Francisco, CA (US)

(73) Assignee: **Omielife, Inc.**, San Francisco, CA (US)

(**) Term: **14 Years**

(21) Appl. No.: **29/491,653**

(22) Filed: **May 22, 2014**

(51) **LOC (10) Cl.** **07-06**

(52) **U.S. Cl.**
USPC **D7/629**

(58) **Field of Classification Search**
USPC D7/602, 629, 630, 709, 538-542;
D3/201-206, 273, 274
CPC B65D 25/108; B65D 25/04; B65D 1/24;
A47J 41/0088; A47J 41/0072; A47G 23/04;
A45C 3/02
See application file for complete search history.

(56) **References Cited**

U.S. PATENT DOCUMENTS

- 4,250,998 A * 2/1981 Taylor A45C 11/20
206/570
- 4,346,813 A * 8/1982 Cho B65D 25/04
220/532
- 4,845,959 A * 7/1989 Magee B65D 81/3816
62/310

- 5,277,329 A * 1/1994 Pomroy B65D 1/24
206/541
- 5,579,932 A * 12/1996 Drozd B65D 50/041
215/201
- 7,861,552 B1 * 1/2011 Hughes A45C 11/20
62/371

* cited by examiner

Primary Examiner — Terry Wallace

(74) *Attorney, Agent, or Firm* — Loginov & Associates, PLLC; William A. Loginov

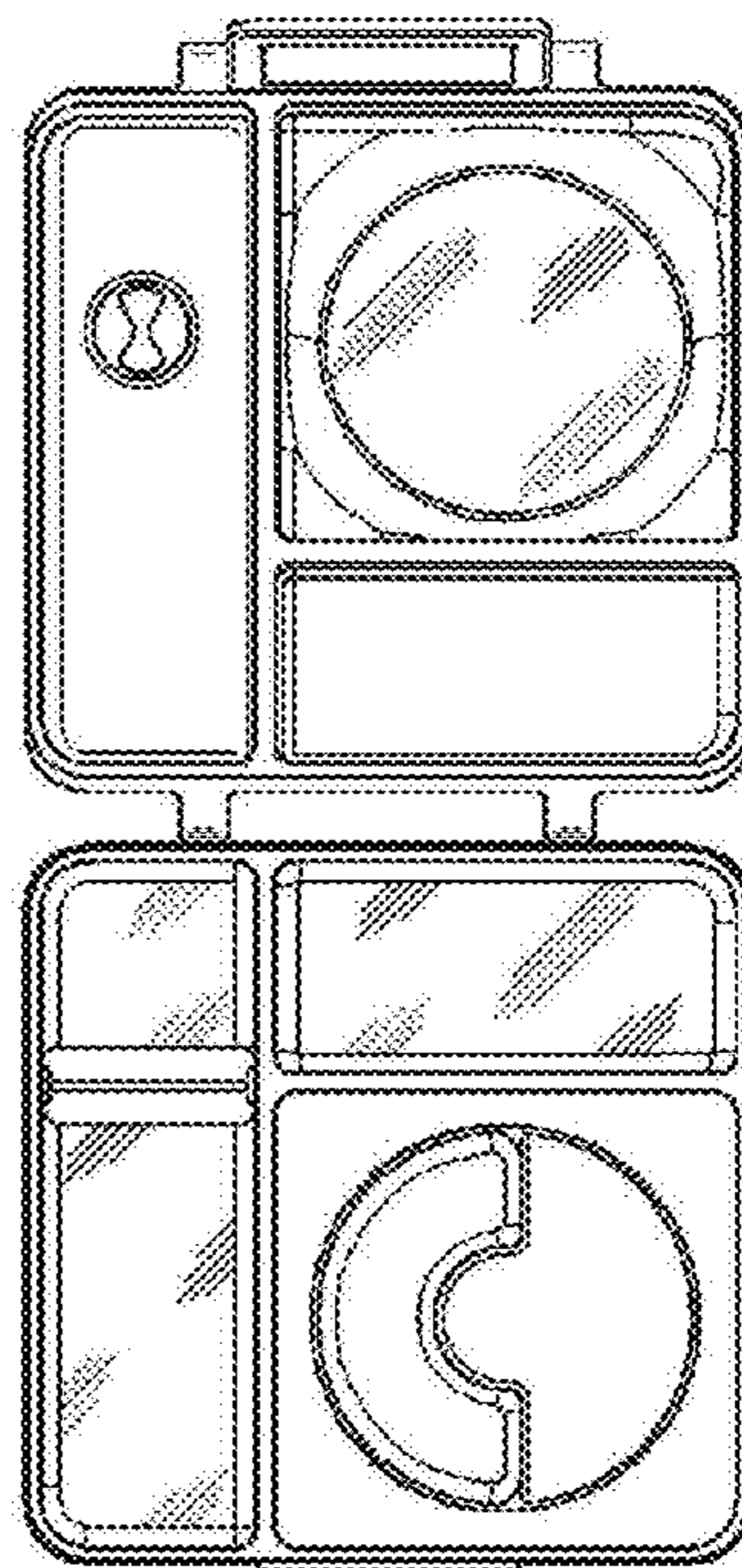
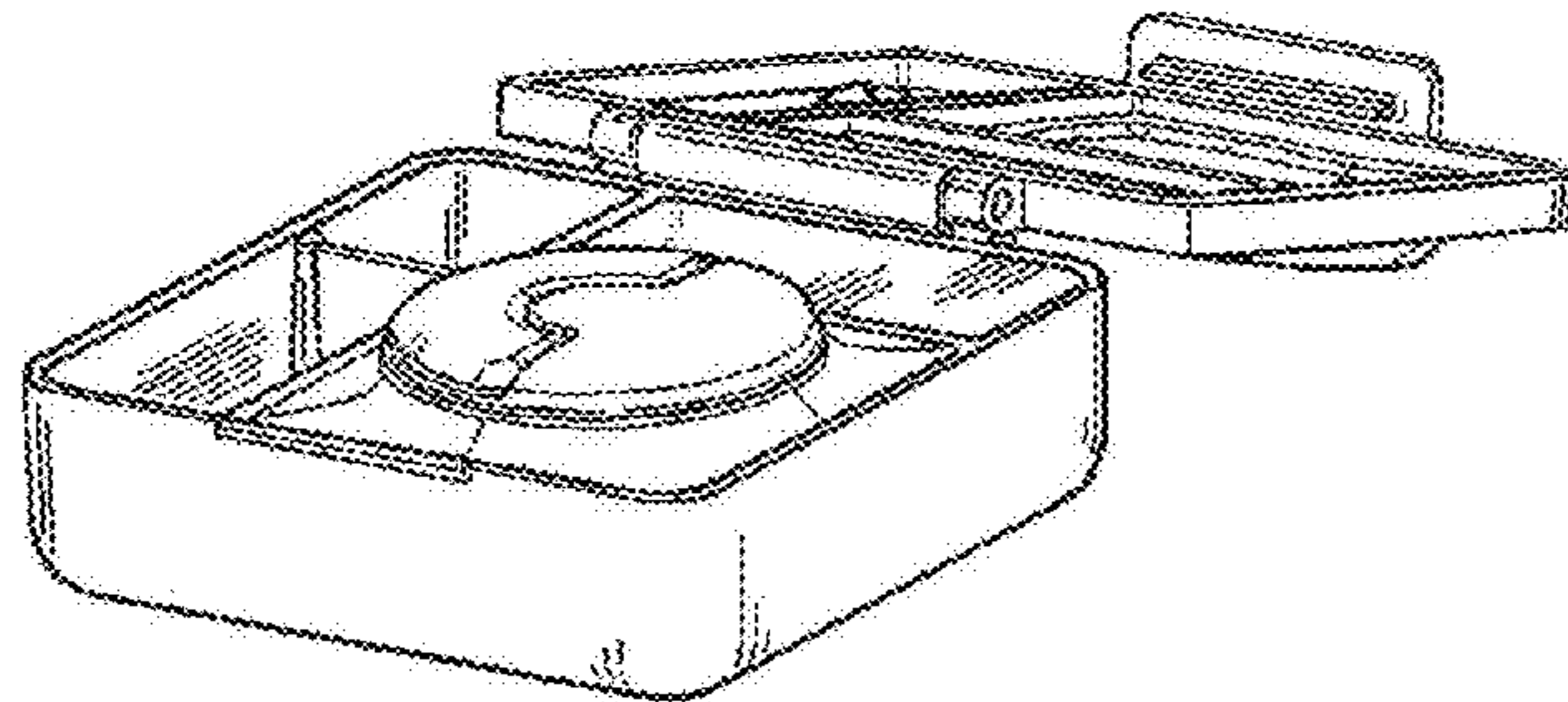
(57) **CLAIM**

The ornamental design for a food storage container, as shown and described.

DESCRIPTION

FIG. 1 is a perspective view of a food storage container showing our new design.
 FIG. 2 is a front view thereof.
 FIG. 3 is a rear view thereof.
 FIG. 4 is a right side view thereof.
 FIG. 5 is a left side view thereof.
 FIG. 6 is a top plan view thereof.
 FIG. 7 is a bottom plan view thereof.
 FIG. 8 is a perspective view thereof shown in a closed position.
 FIG. 9 is a front view of FIG. 8.
 FIG. 10 is a rear view of FIG. 8.
 FIG. 11 is a right side view of FIG. 8.
 FIG. 12 is a left side view of FIG. 8.
 FIG. 13 is a top plan view of FIG. 8; and,
 FIG. 14 is a bottom plan view of FIG. 8.

1 Claim, 2 Drawing Sheets



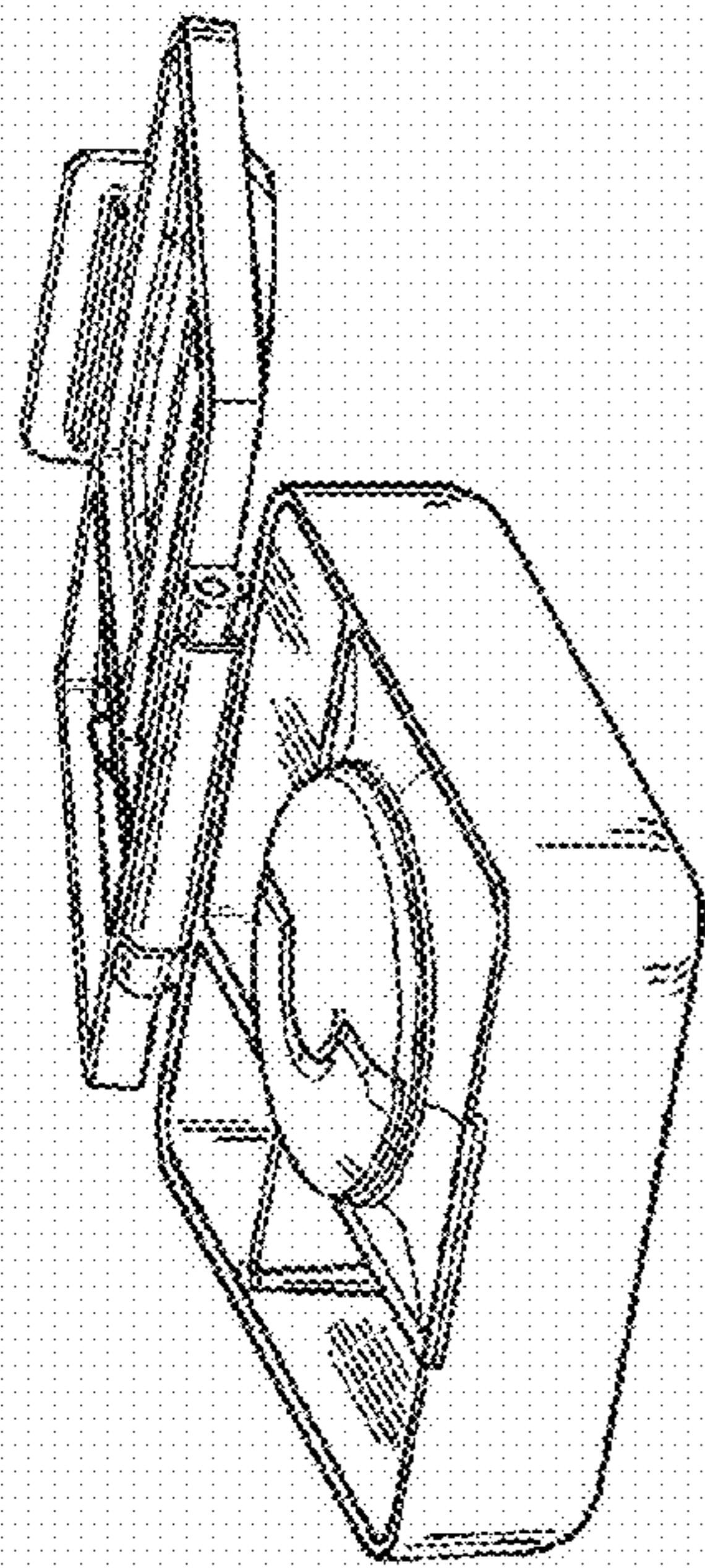


Fig. 1

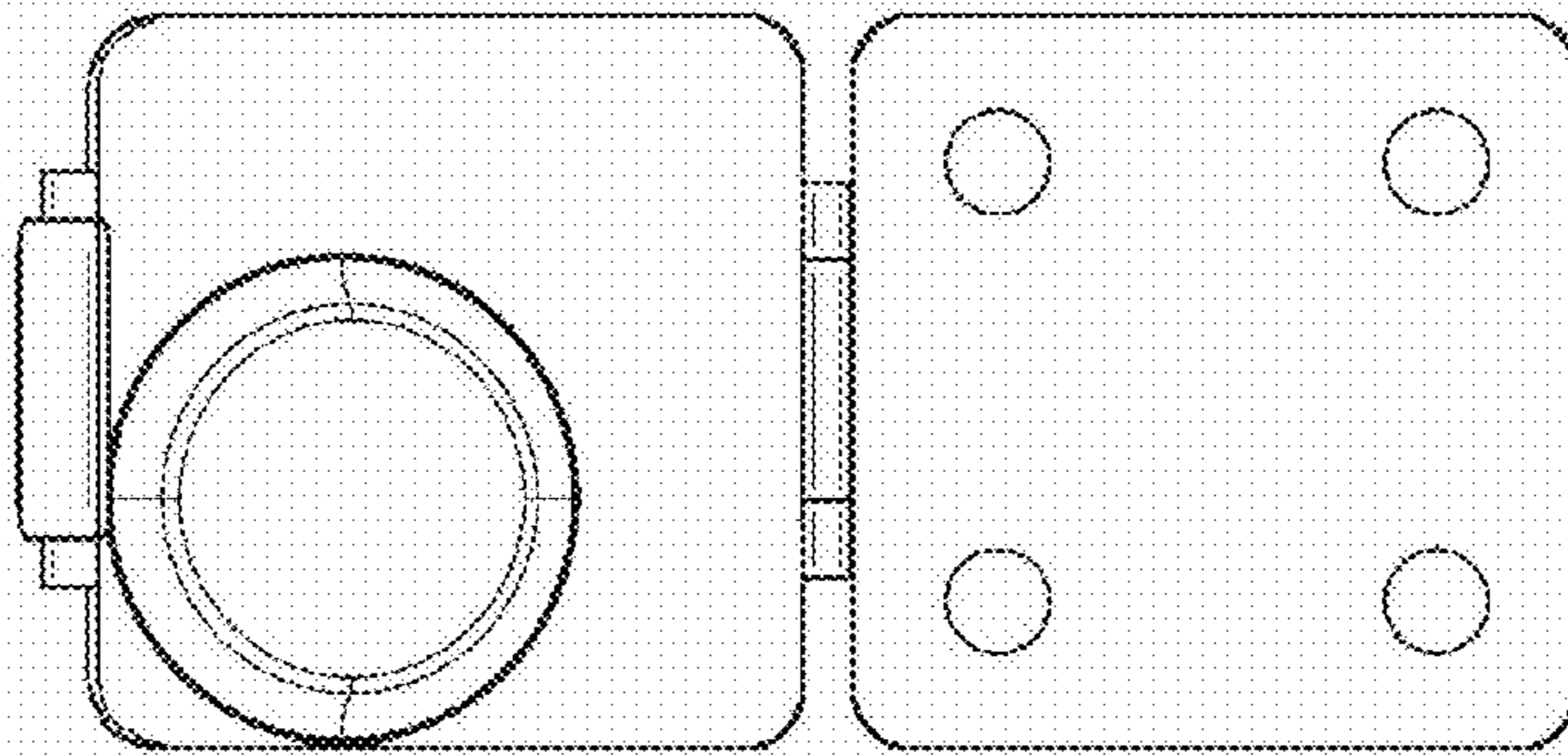


Fig. 2

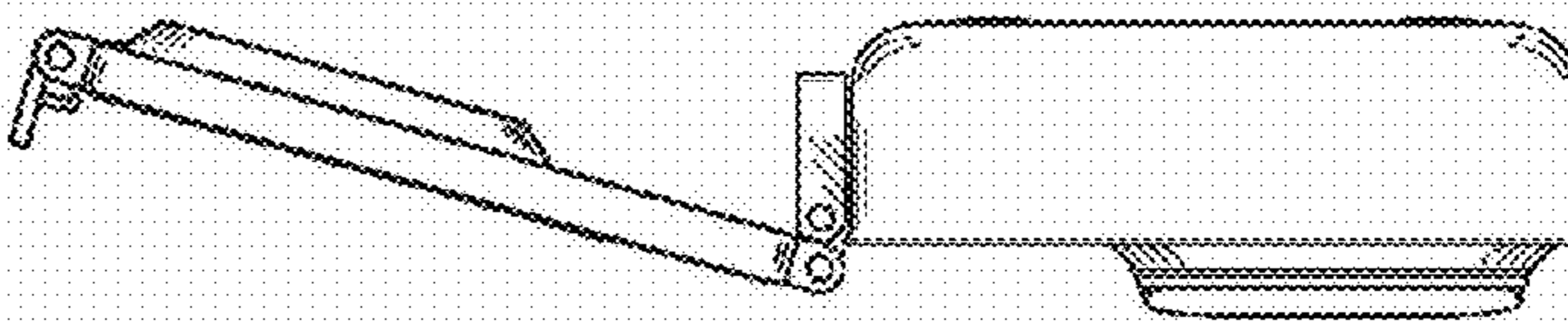


Fig. 3

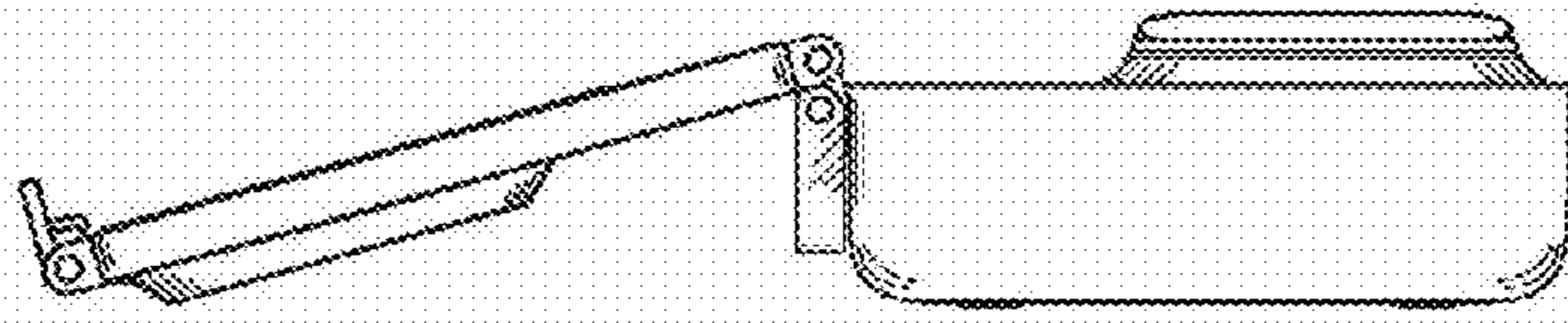


Fig. 4

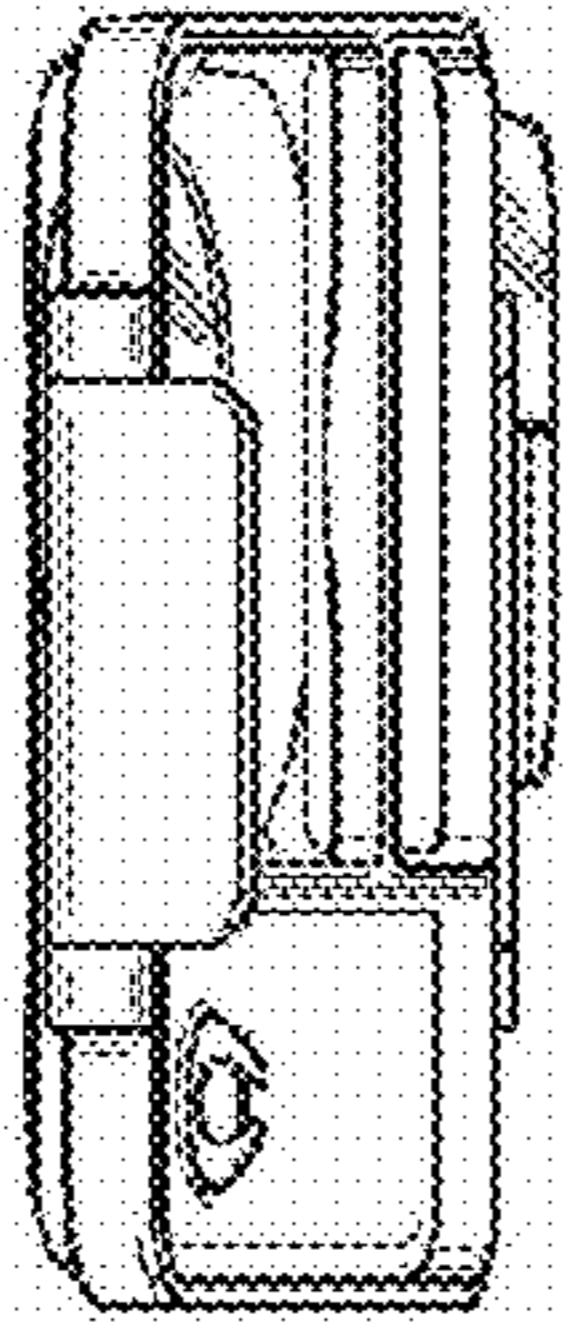


Fig. 5

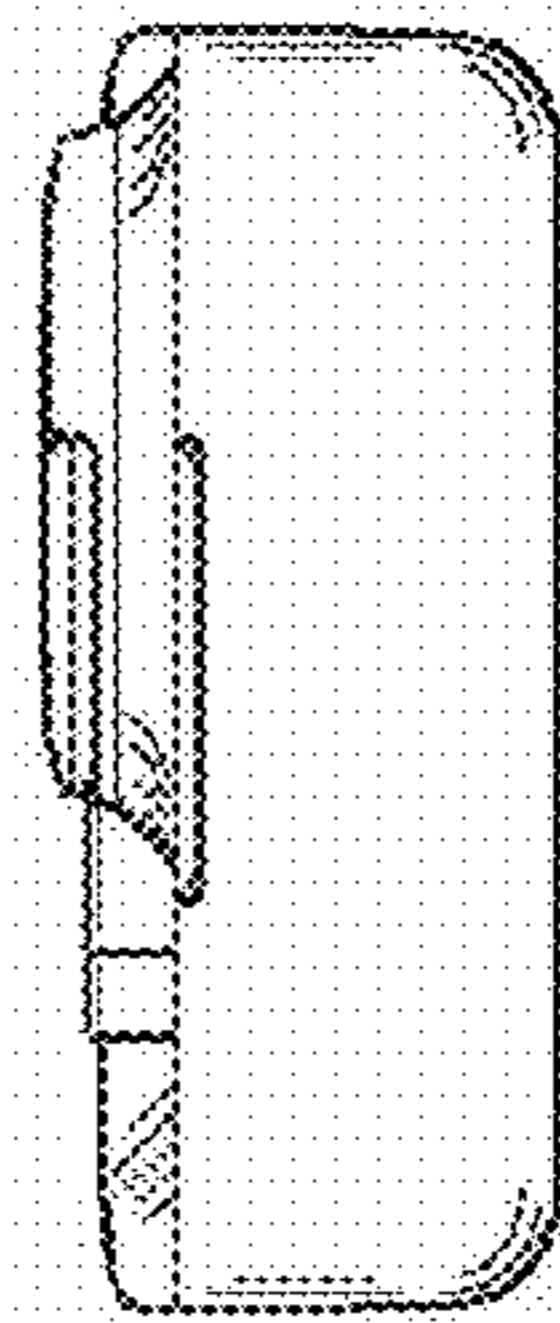


Fig. 6

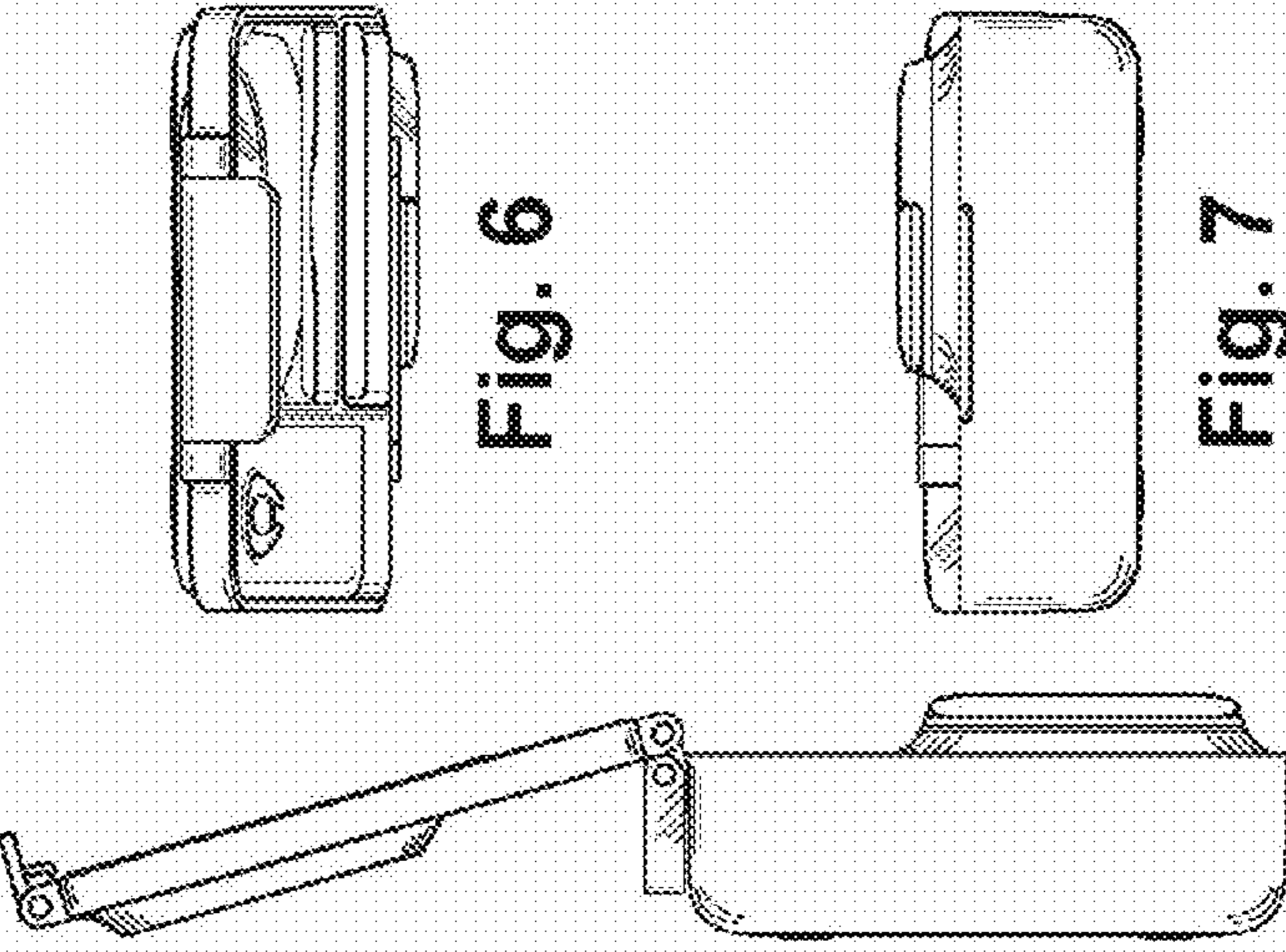


Fig. 7

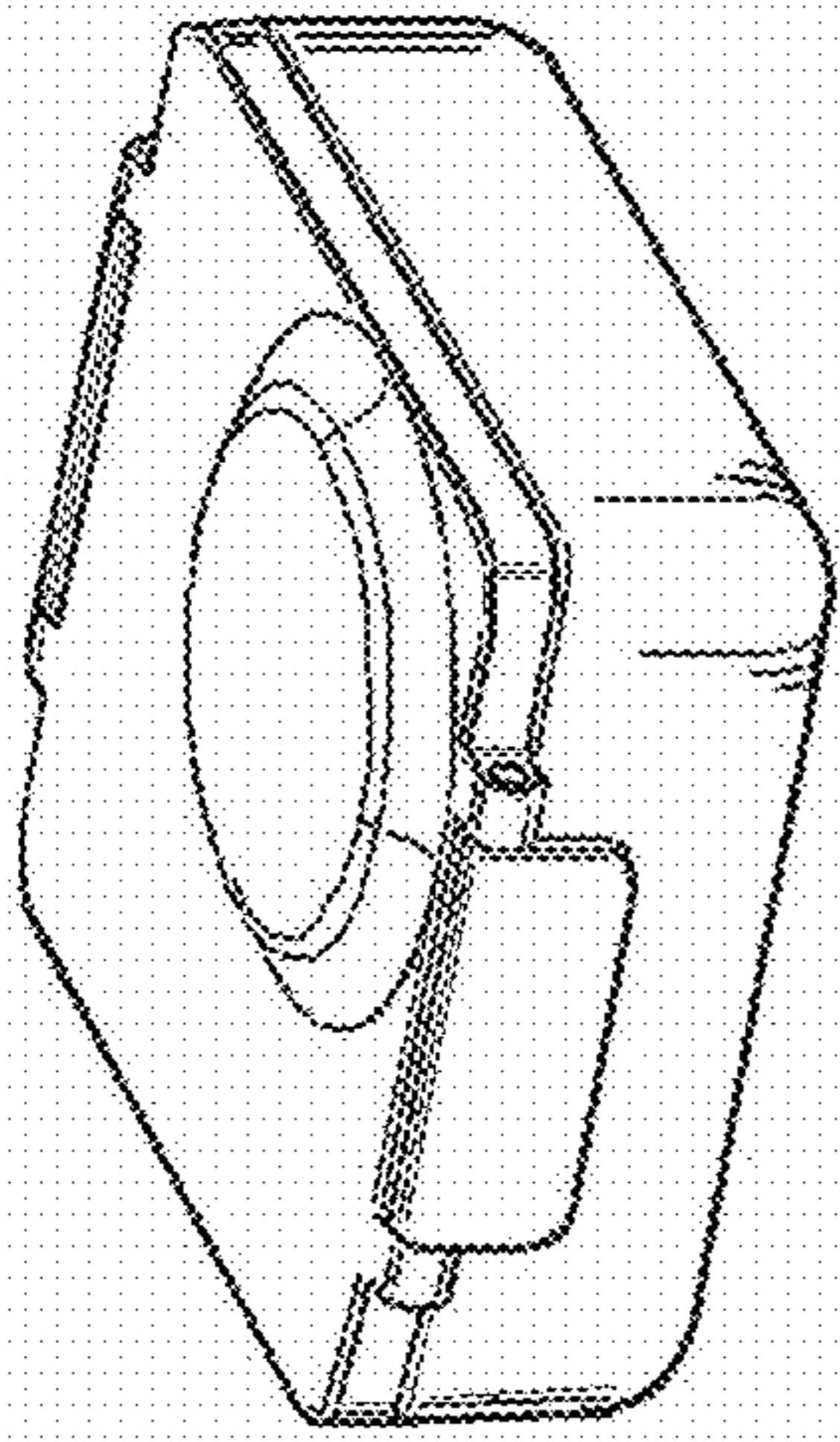


Fig. 8

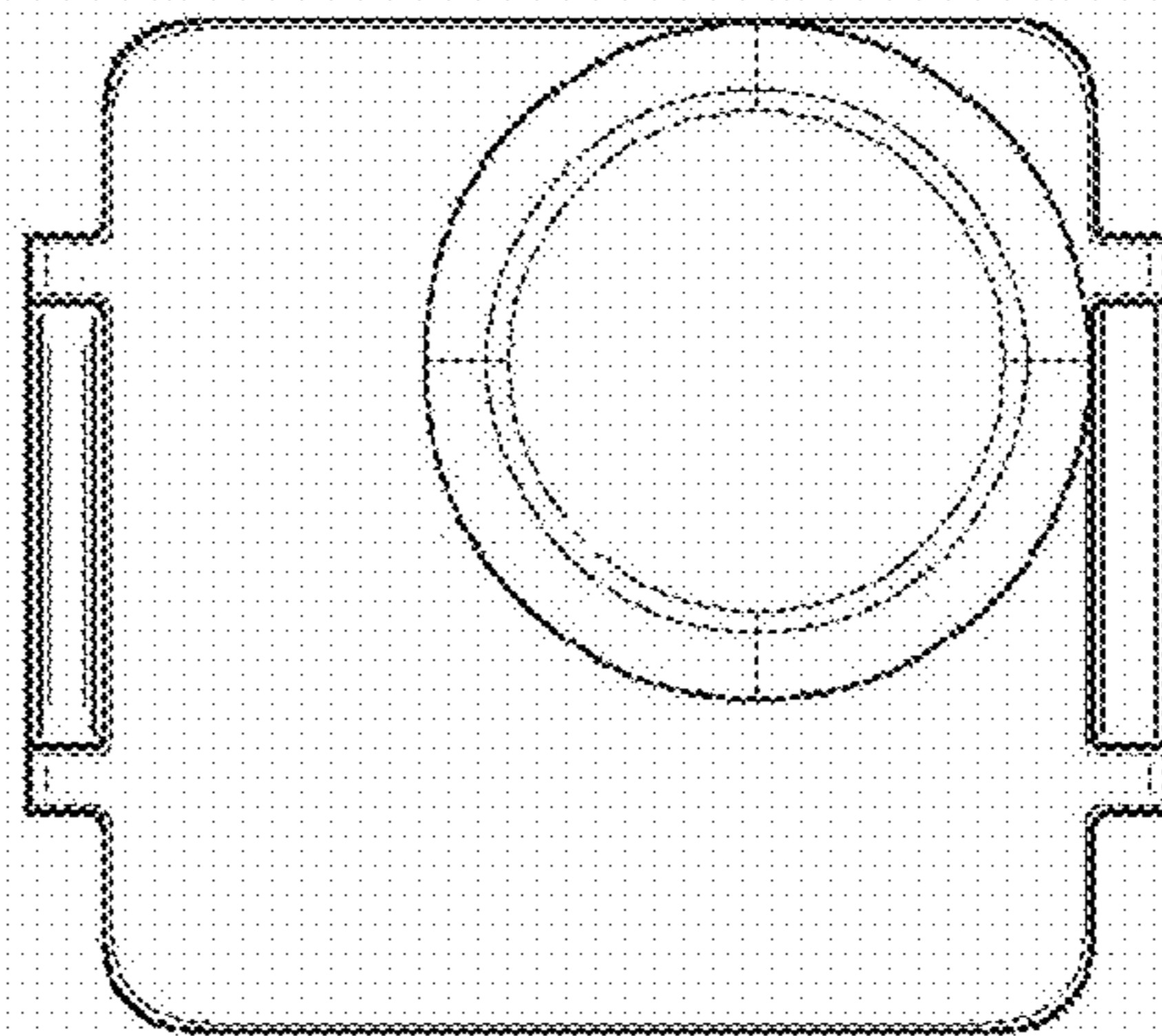


Fig. 9

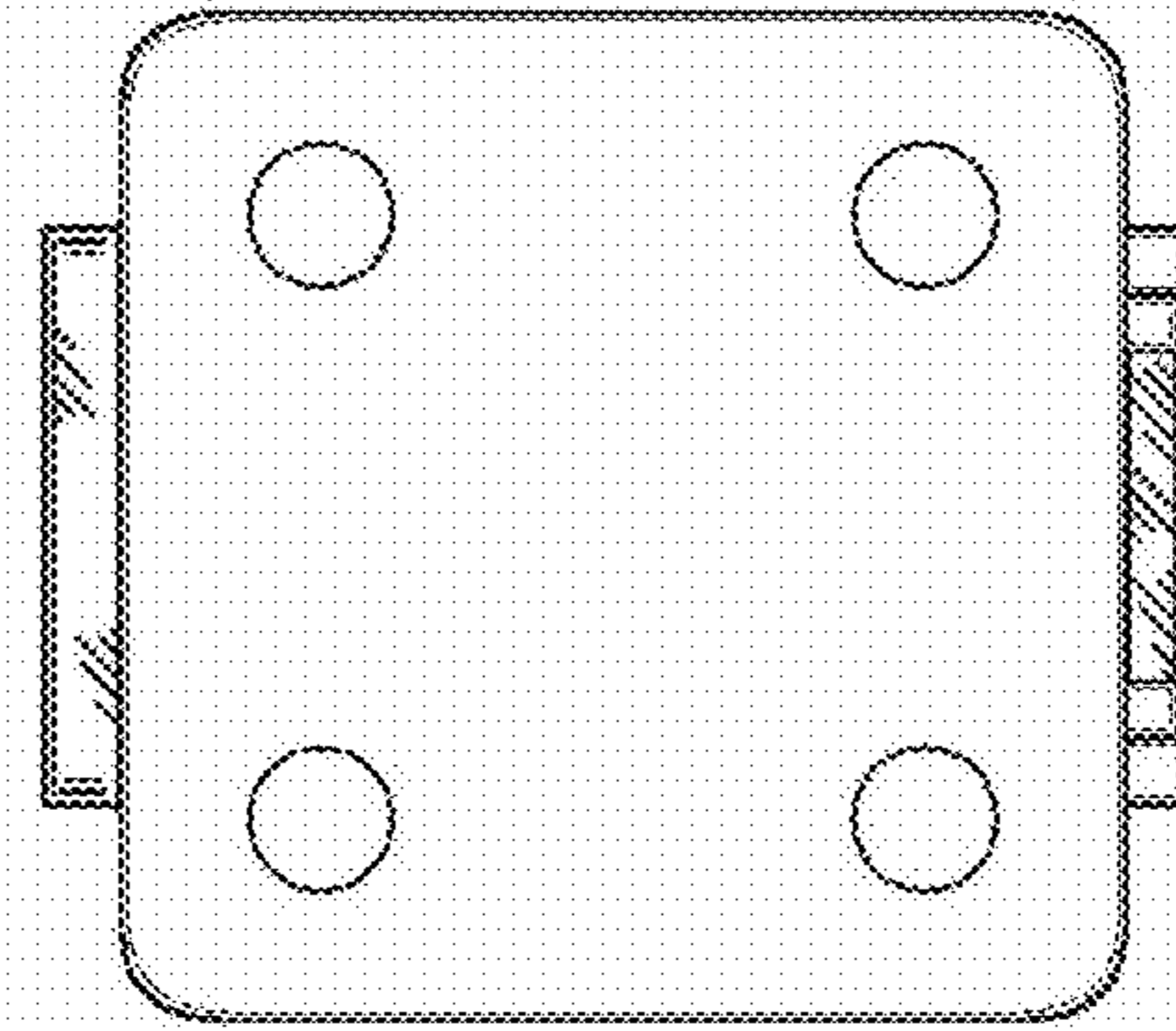


Fig. 10

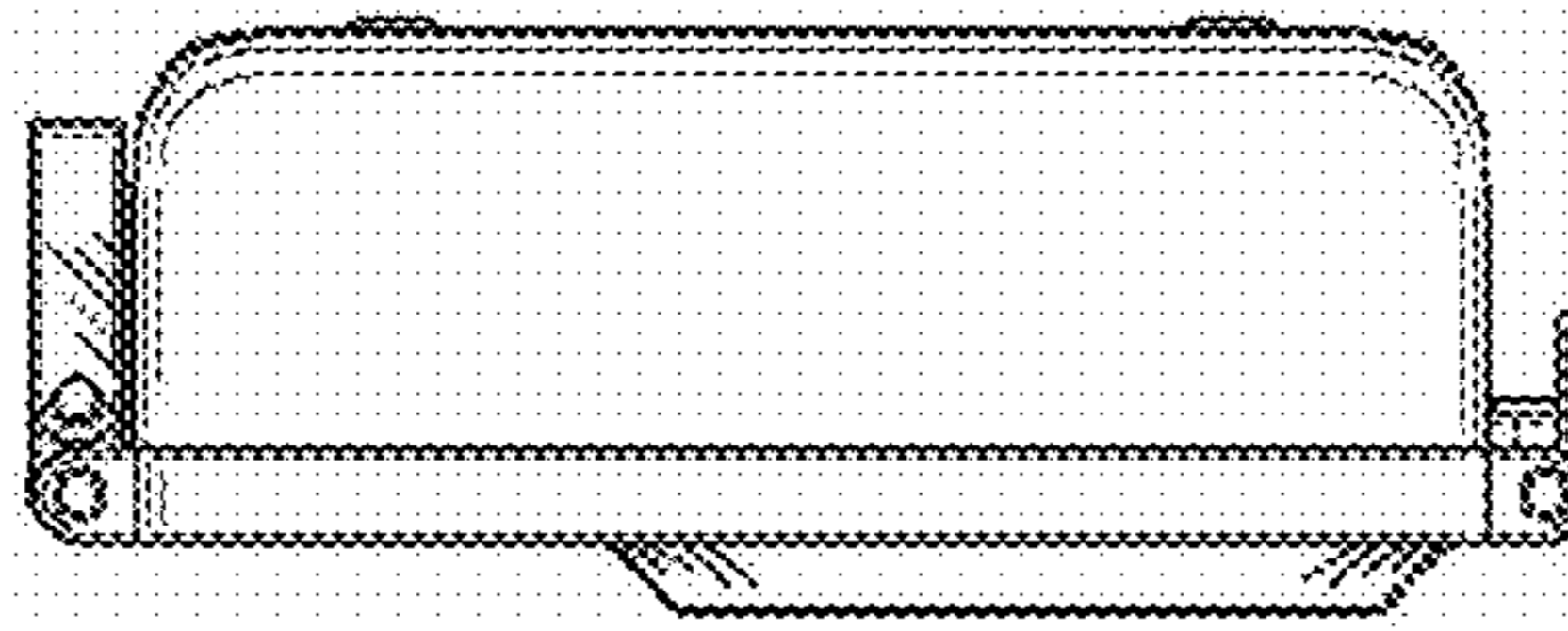


Fig. 11

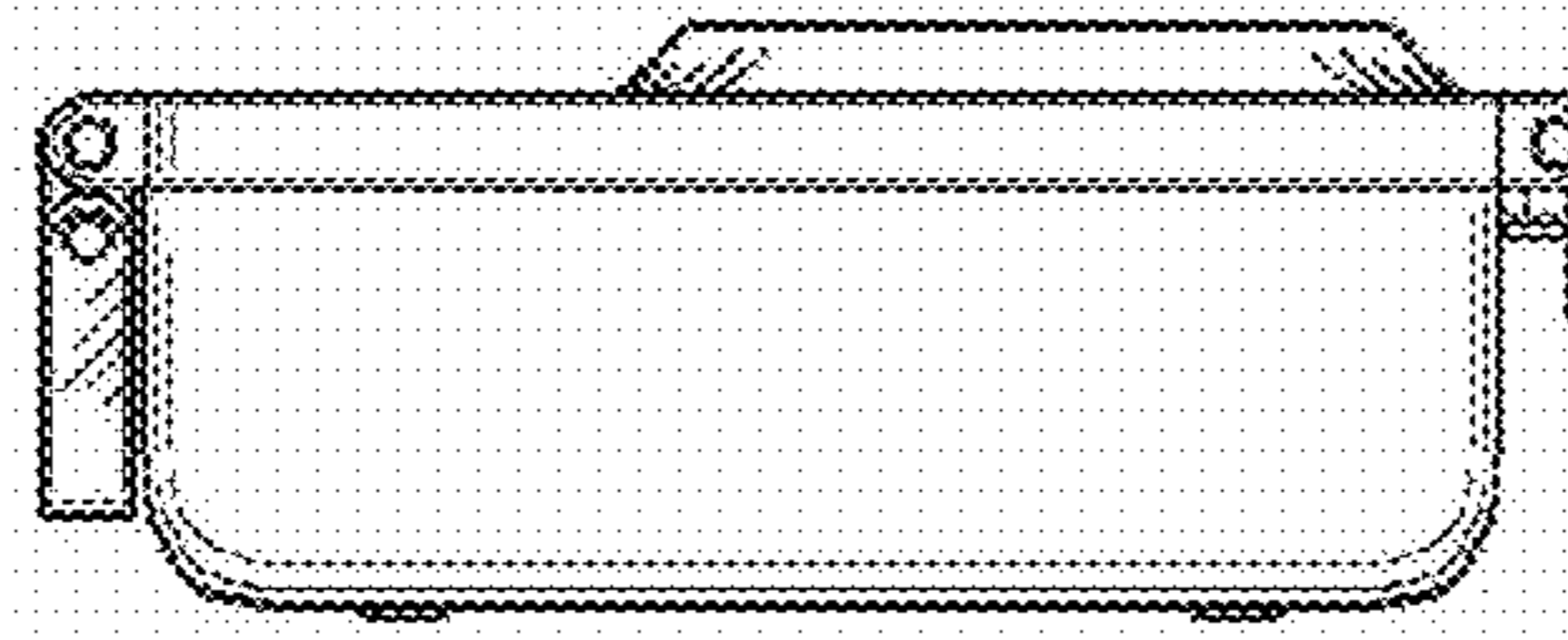


Fig. 12

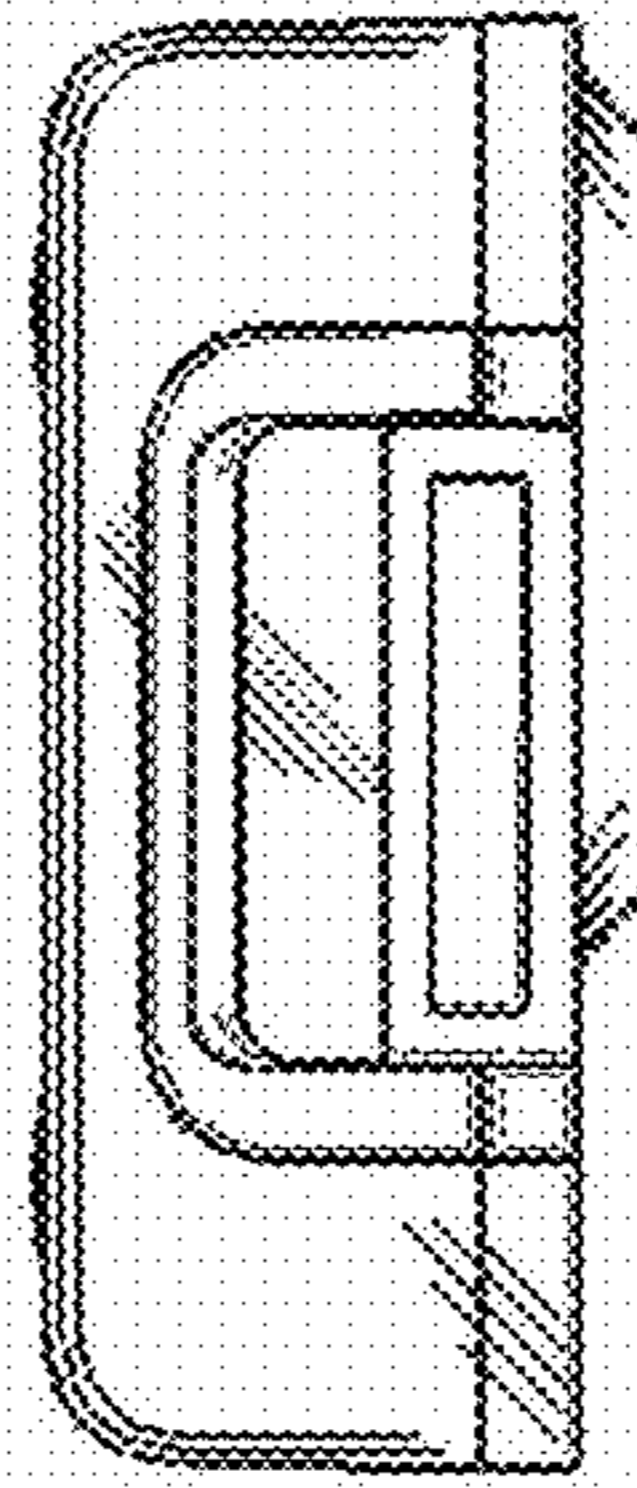


Fig. 13

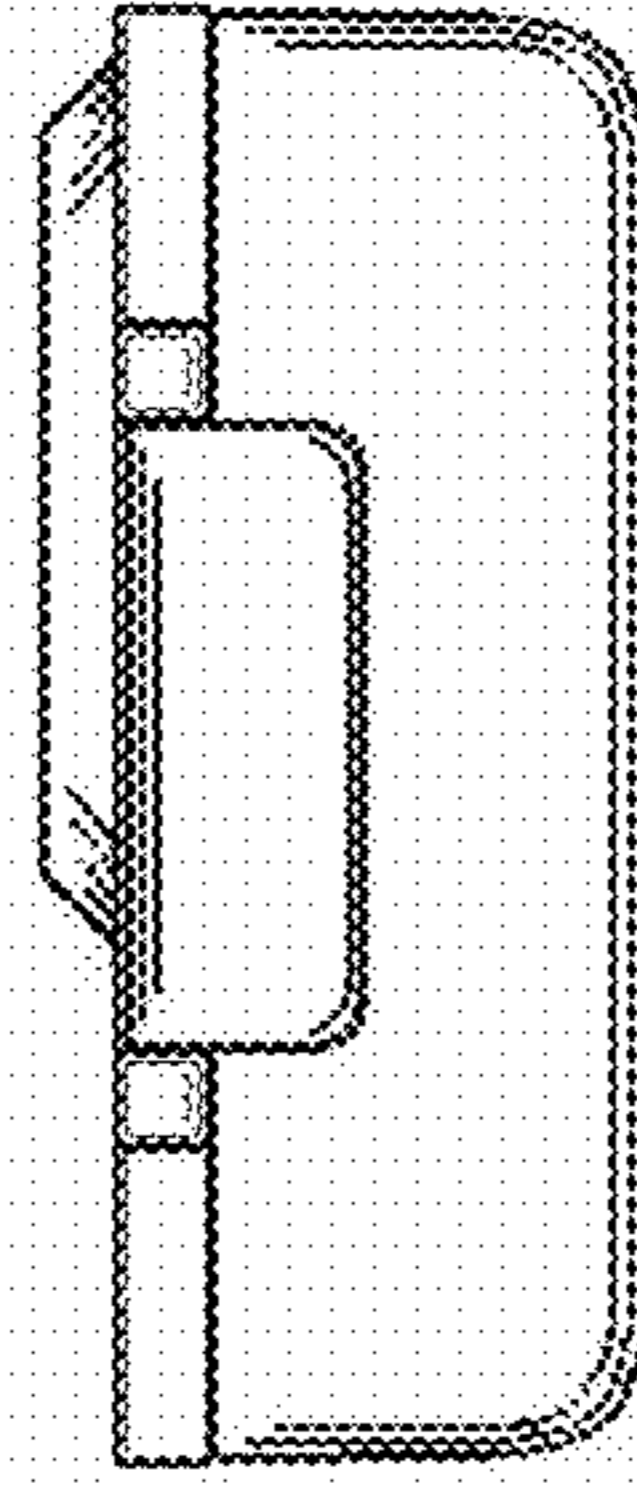


Fig. 14