

US00D764236S

(12) **United States Design Patent**
Hertaus

(10) **Patent No.:** **US D764,236 S**

(45) **Date of Patent:** **** Aug. 23, 2016**

(54) **ROLLING COFFEE POD DRAWER**

(56) **References Cited**

(71) Applicant: **Lipper International Inc.**, Wallingford, CT (US)

U.S. PATENT DOCUMENTS

(72) Inventor: **Alan R. Hertaus**, LeSuer, MN (US)

D481,233 S *	10/2003	Post	D6/675.1
D486,981 S *	2/2004	Post	D6/675.1
D653,063 S *	1/2012	Post	D6/705.6
D659,481 S *	5/2012	Tiemann	D7/600.1
D660,088 S *	5/2012	Tiemann	D7/600.1
D660,652 S *	5/2012	Tiemann	D7/600.1
D661,951 S *	6/2012	Tiemann	D7/600.1
D670,943 S *	11/2012	Hertaus	D6/705
D674,213 S *	1/2013	Hertaus	D6/663
D676,715 S *	2/2013	Tsai	D7/600.1
D679,954 S *	4/2013	Snider	D7/600.1
D680,380 S *	4/2013	Tiemann	D7/600.1
D682,039 S *	5/2013	Tiemann	D7/600.4
D682,040 S *	5/2013	Tiemann	D7/600.4
D684,404 S *	6/2013	Hertaus	D6/705

(73) Assignee: **LIPPER INTERNATIONAL INC.**, Wallingford, CT (US)

(**) Term: **14 Years**

(21) Appl. No.: **29/523,557**

(22) Filed: **Apr. 10, 2015**

(51) **LOC (10) Cl.** **07-06**

(52) **U.S. Cl.**
USPC **D7/600.1**

(58) **Field of Classification Search**
USPC D7/600, 600.1, 600.2, 600.3, 600.4, D7/392, 397, 589, 590, 596, 597, 601, 602, D7/609, 610, 612, 614, 615, 620, 701-708, D7/708.1, 709, 710; D3/275, 295-298, D3/306, 307, 313, 315, 319, 201, 276, 283, D3/291, 302, 304; D19/75, 77, 78, 83, 86, D19/92; D6/436, 449, 458, 462, 509, 510, D6/512, 514, 521, 525, 573, 574; 312/323, 312/330.1, 334.1, 334.27, 408; 211/77, 78, 211/126.11, 126.15, 129.1, 131.1, 133.1, 211/133.2, 133.4, 133.5, 133.6
CPC A47B 88/10; A47B 88/20; A47B 88/0418; A47B 88/0466; A47B 88/04; A47B 88/0451; A47B 46/00; A47J 31/44; A47J 31/3642; A47J 47/16

See application file for complete search history.

(Continued)

Primary Examiner — Mark Goodwin

(74) *Attorney, Agent, or Firm* — Lucas & Mercanti, LLP

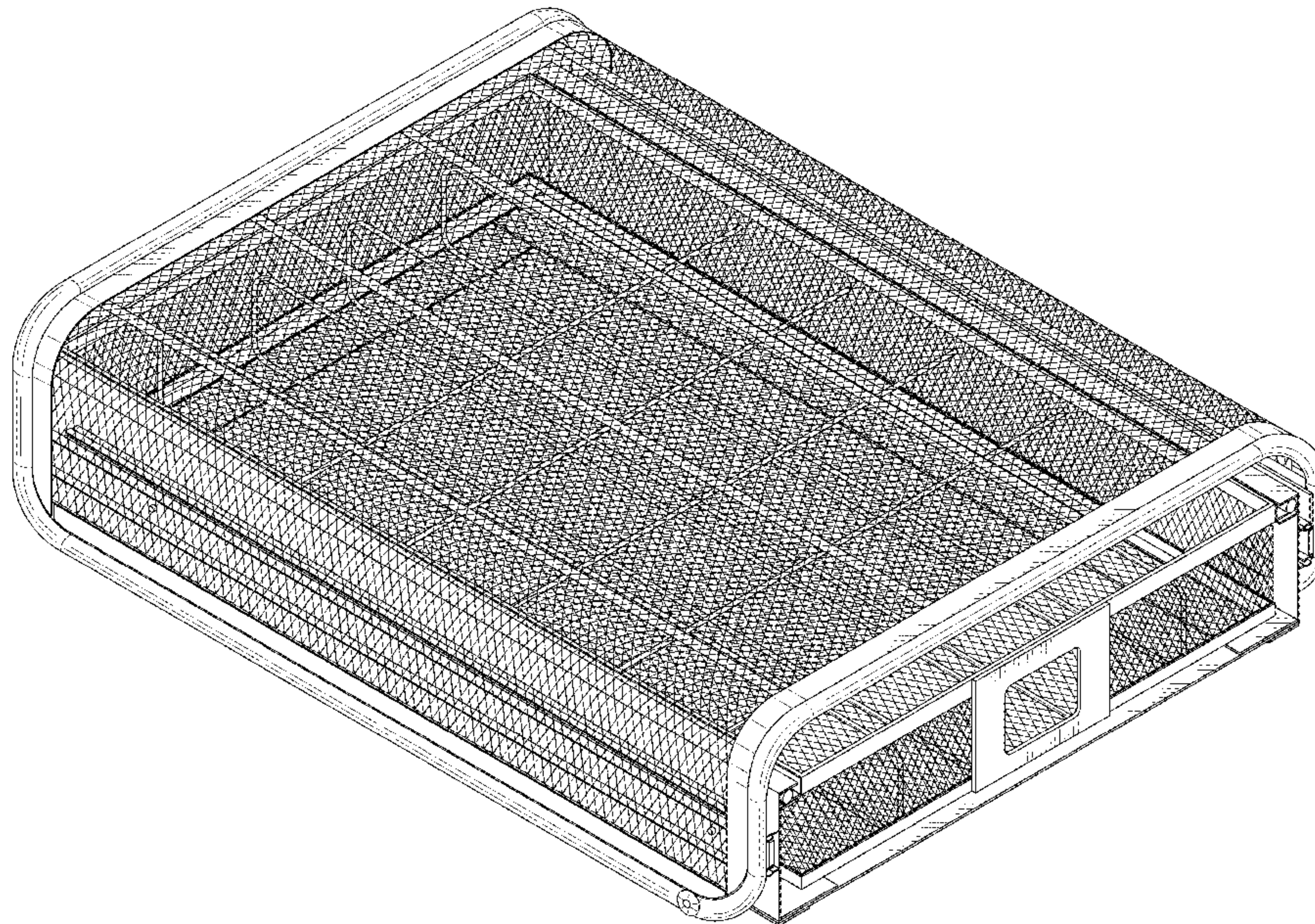
(57) **CLAIM**

The ornamental design for a rolling coffee pod drawer, as shown and described.

DESCRIPTION

FIG. 1 is a perspective view of a rolling coffee pod drawer; FIG. 2 is a top view of the rolling coffee pod drawer; FIG. 3 is a side view of the rolling coffee pod drawer; FIG. 4 is a second side view of the rolling coffee pod drawer FIG. 5 is a third side view of the rolling coffee pod drawer FIG. 6 is a fourth side view of the rolling coffee pod drawer FIG. 7 is a bottom view of the rolling coffee pod drawer; FIG. 8 is a perspective view of the rolling coffee pod drawer, with an insert placed in the drawer in open condition; and, FIG. 9 is a perspective view of the rolling coffee pod drawer, with the insert placed in the drawer in half-closed condition.

1 Claim, 7 Drawing Sheets



(56)

References Cited

U.S. PATENT DOCUMENTS

D686,464 S *	7/2013	Tiemann	D7/600.1	D703,005 S *	4/2014	Tiemann	D7/600.1
D688,487 S *	8/2013	Hertaus	D6/705.6	8,974,014 B1 *	3/2015	Tiemann	A47B 88/20 211/71.01
D688,902 S *	9/2013	Hertaus	D6/663	D743,214 S *	11/2015	Hertaus	D7/600.4
D691,858 S *	10/2013	Tiemann	D7/600.4	D743,215 S *	11/2015	Hertaus	D7/600.4
D692,265 S *	10/2013	Hertaus	D6/705.6	D743,748 S *	11/2015	Tiemann	D7/600.1
D693,606 S *	11/2013	Hertaus	D6/671.1	D750,442 S *	3/2016	Tiemann	D7/600.1
D701,733 S *	4/2014	Tiemann	D7/600.1	2014/0091695 A1 *	4/2014	Sabounjian	A47J 31/3642 312/348.3
D703,002 S *	4/2014	Tiemann	D7/600.1	2014/0097120 A1 *	4/2014	Sabounjian	A47J 31/44 206/565
D703,003 S *	4/2014	Tiemann	D7/600.1					

* cited by examiner

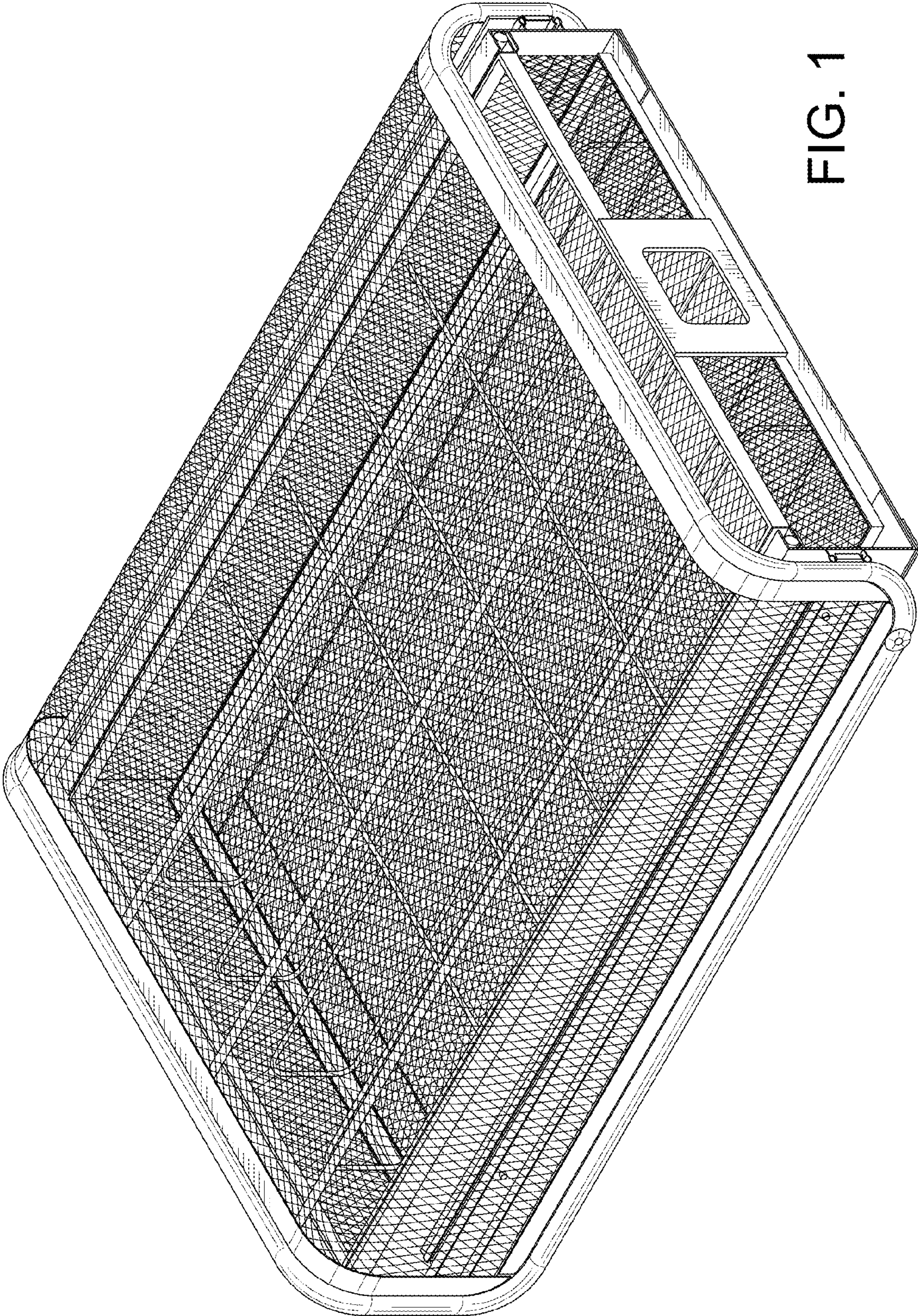


FIG. 1

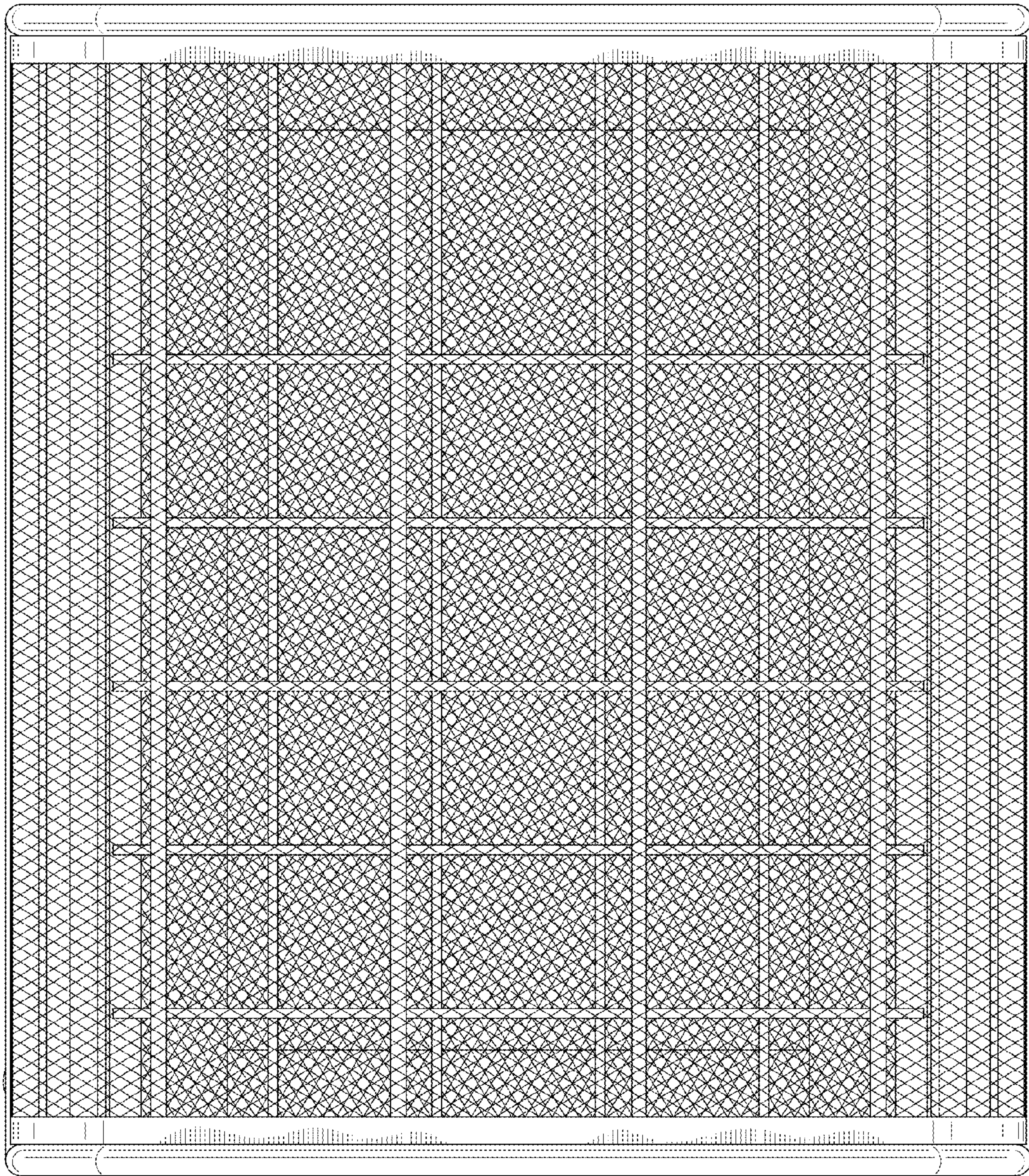


FIG. 2

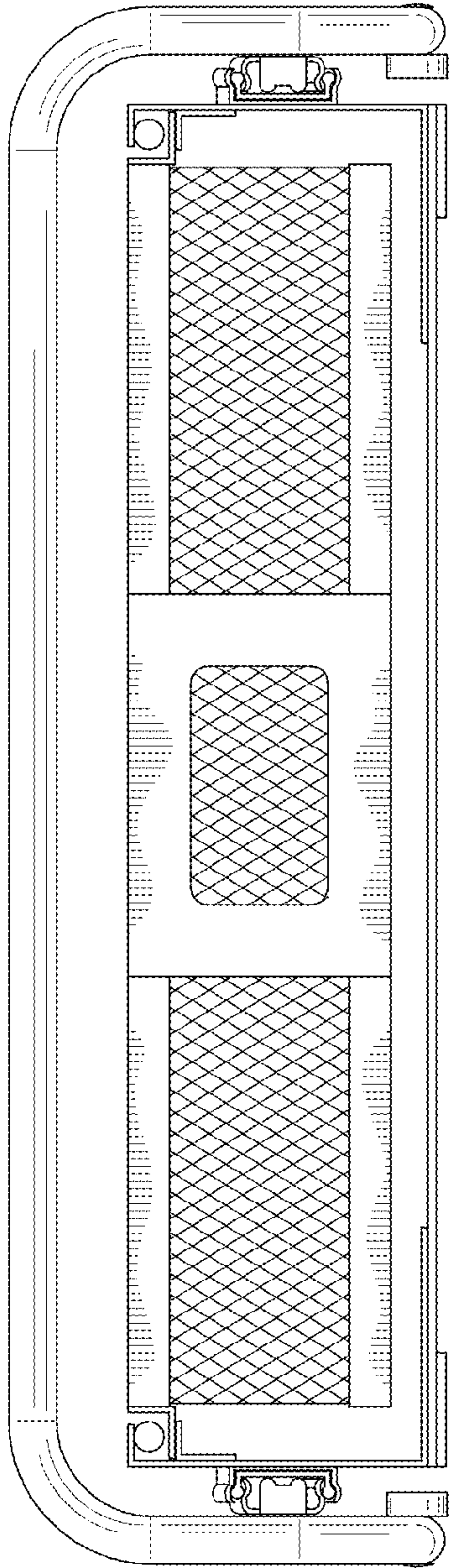


FIG. 3

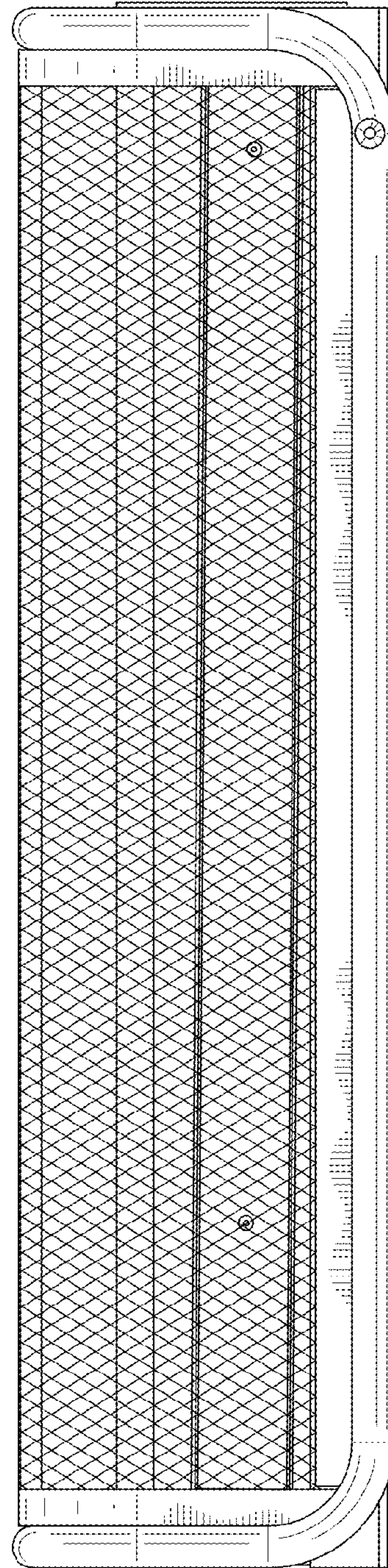


FIG. 4

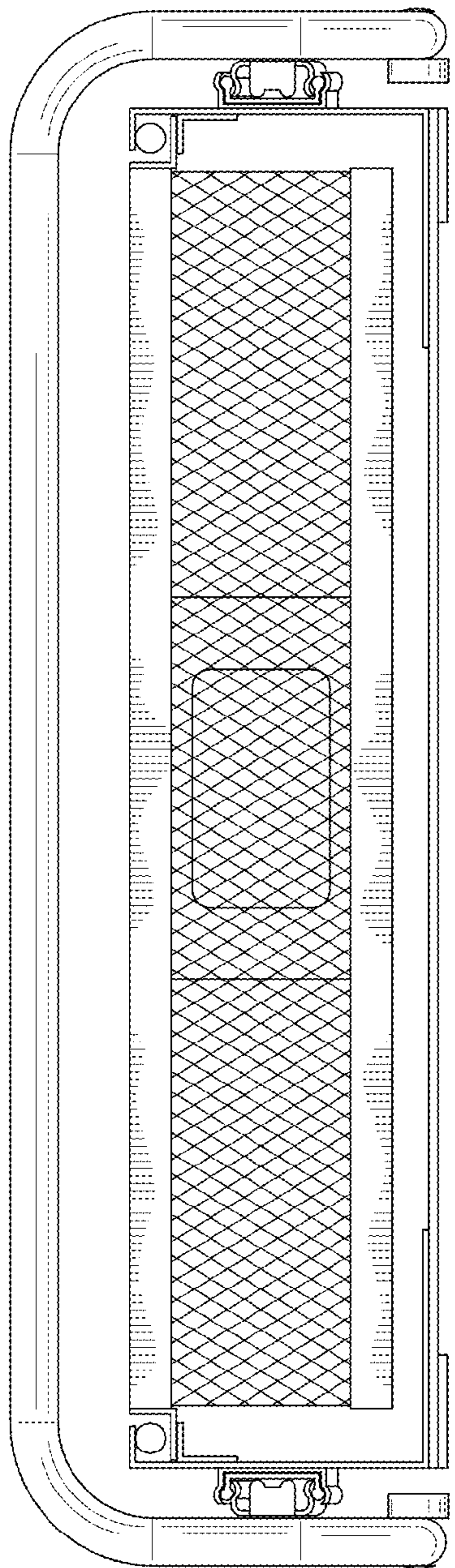


FIG. 5

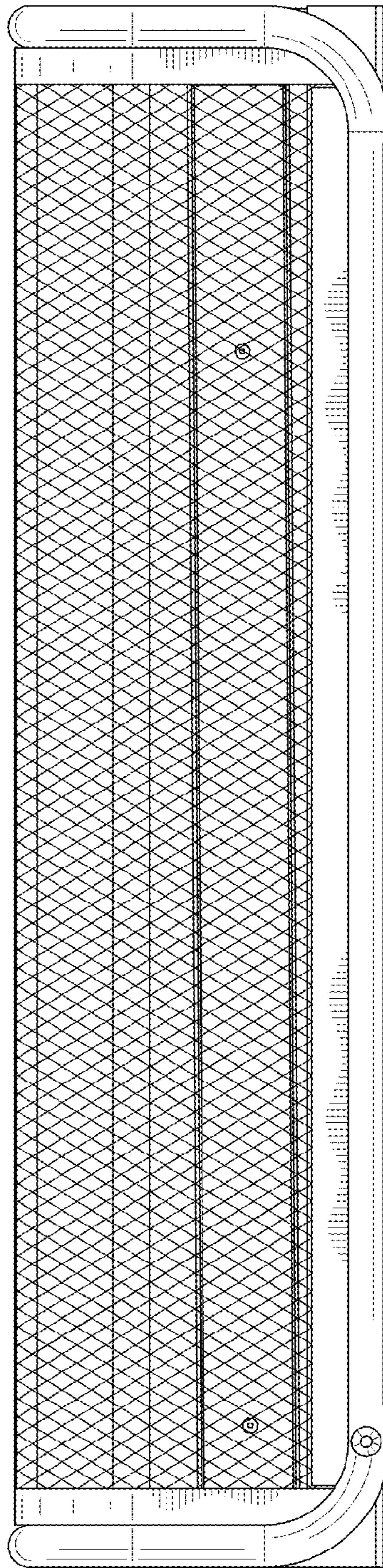


FIG. 6

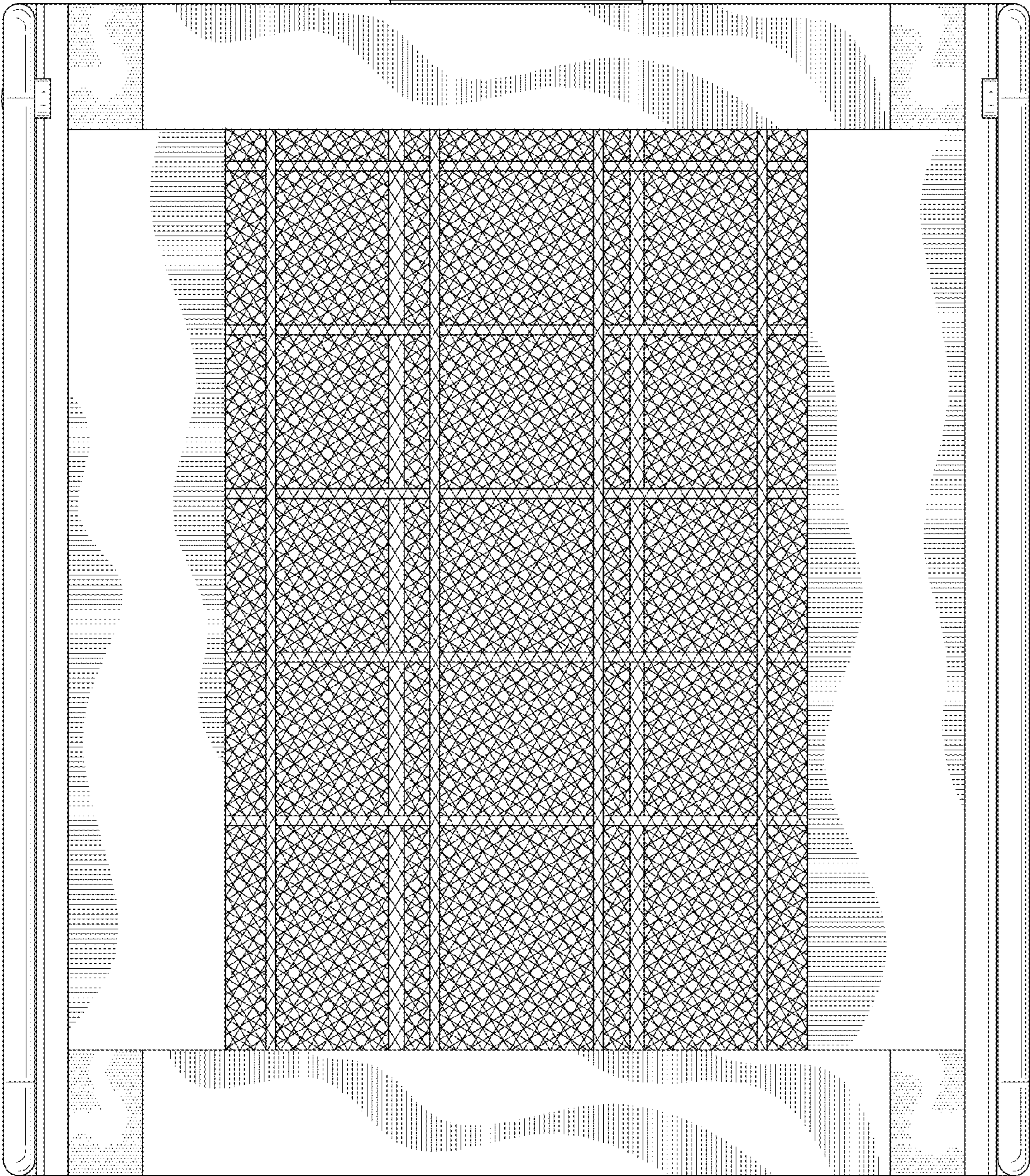


FIG. 7

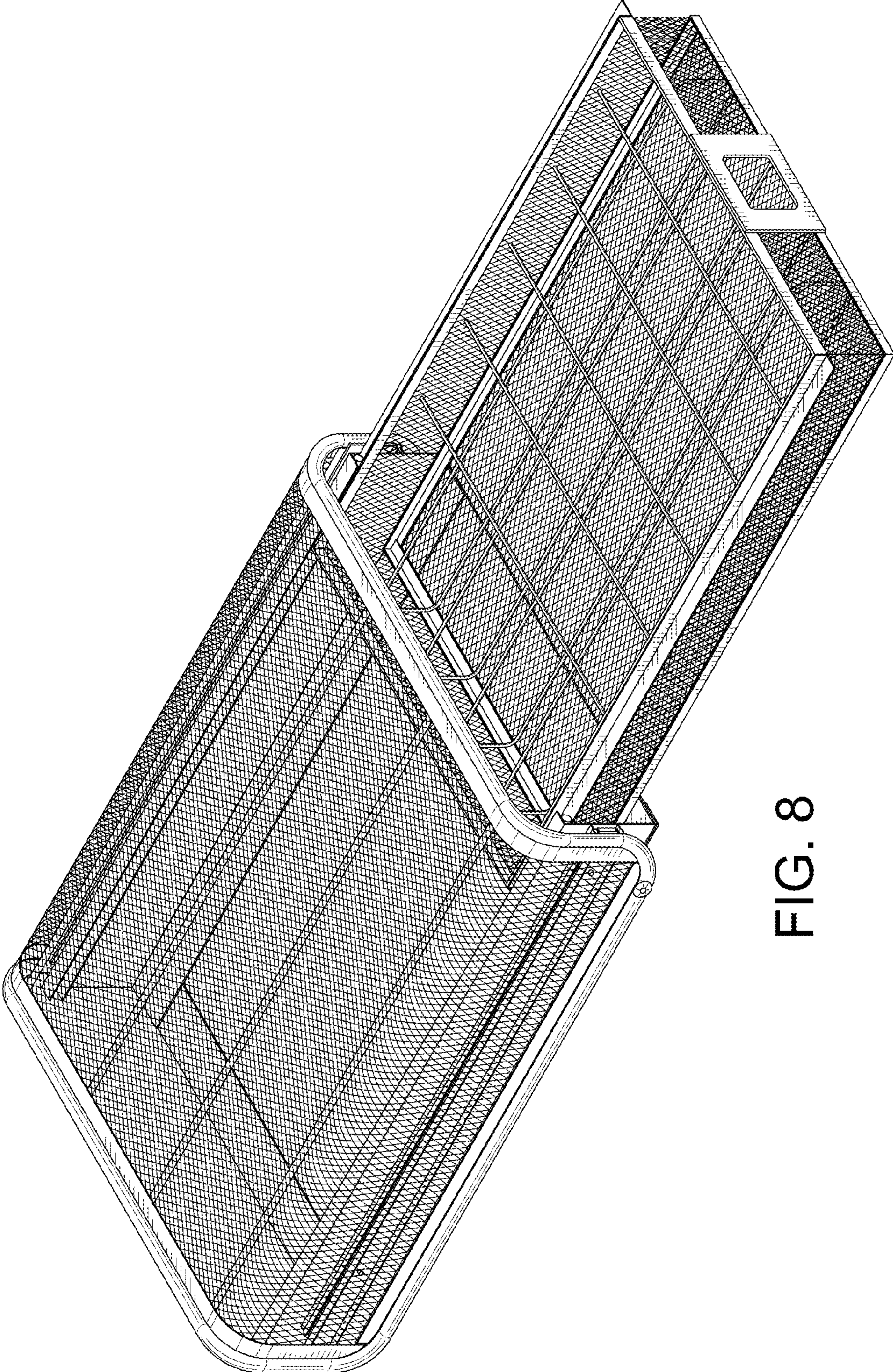


FIG. 8

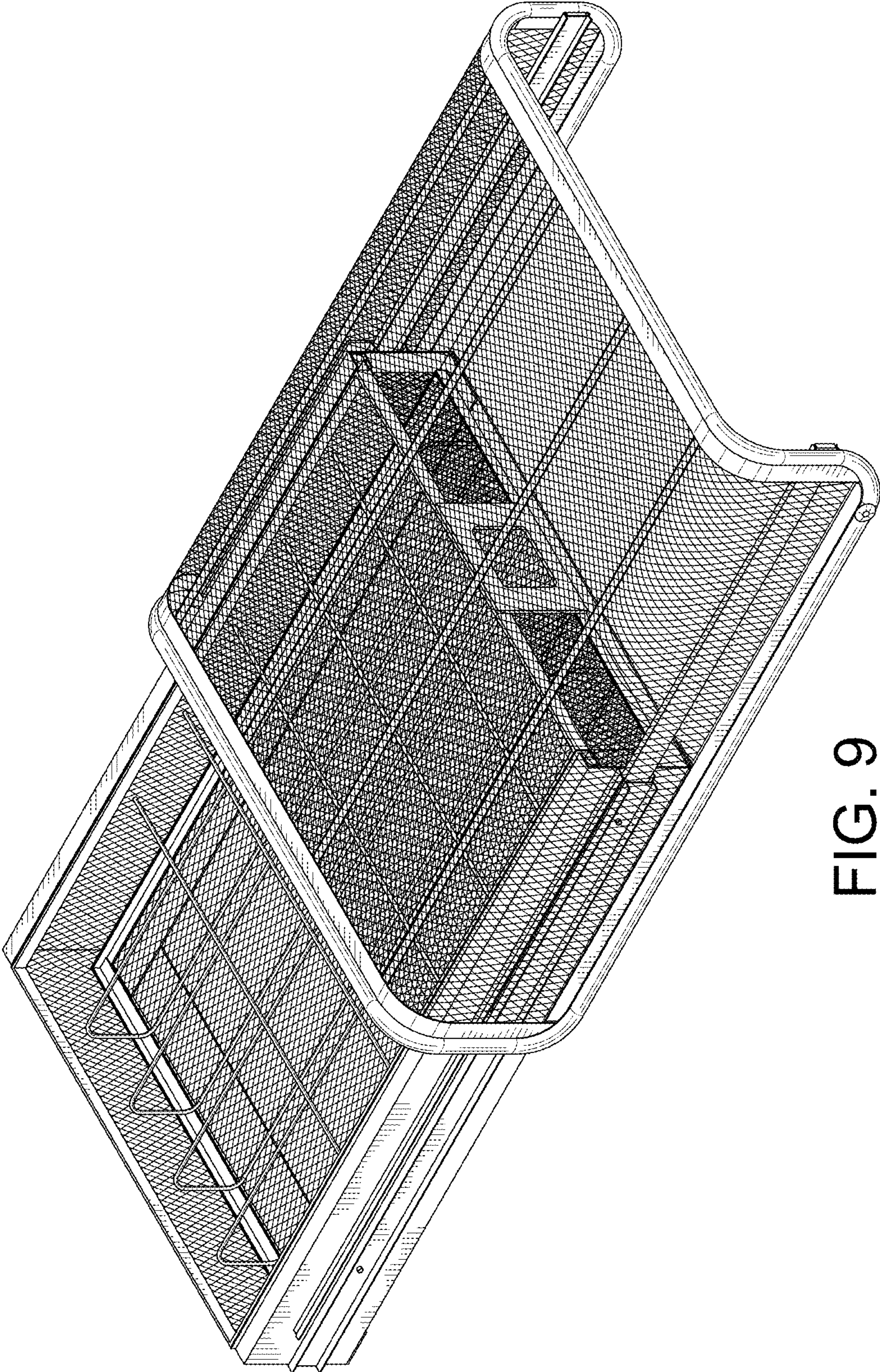


FIG. 9