



US00D764231S

(12) **United States Design Patent**
Szymanski

(10) **Patent No.:** **US D764,231 S**

(45) **Date of Patent:** **** Aug. 23, 2016**

(54) **CONTAINER WITH INSERT AND LID**

(71) Applicant: **Aaron Szymanski**, Thomaston, CT (US)

(72) Inventor: **Aaron Szymanski**, Thomaston, CT (US)

(73) Assignee: **IdeaVillage Products Corp.**, Wayne, NJ (US)

(**) Term: **15 Years**

(21) Appl. No.: **29/505,074**

(22) Filed: **May 18, 2015**

(51) **LOC (10) Cl.** **07-01**

(52) **U.S. Cl.**
USPC **D7/510; D7/511; D7/396.2; D7/392.1; D9/447**

(58) **Field of Classification Search**

USPC D7/507-512, 523, 528-532, 543, 312, D7/316, 317, 589, 607, 608, 387, 392.1, D7/396.2, 400; D9/555, 556, 569, 453, D9/499, 447, 449, 428, 425, 417; D8/499, D8/391, 393, 373; 220/669, 737, 675, 220/592.17; 206/520
CPC A47G 19/2272; A47G 19/2216; A47G 19/22; B65D 1/265; B65D 3/06; B65D 41/62; B65D 2543/00351; B65D 2543/00046

See application file for complete search history.

(56) **References Cited**

U.S. PATENT DOCUMENTS

D551,503 S * 9/2007 Bouie D7/509
D572,531 S * 7/2008 Romandy D7/510
D622,105 S * 8/2010 Koennecke D7/509
2005/0061821 A1 * 3/2005 Smith B65D 1/46
220/675
2013/0037558 A1 * 2/2013 Selina B65D 21/0219
220/715
2013/0056463 A1 * 3/2013 Buck D7/509

* cited by examiner

Primary Examiner — Marianne Pandozzi

Assistant Examiner — Jae Liang

(74) *Attorney, Agent, or Firm* — Dan DeLaRosa

(57) **CLAIM**

The ornamental design for a container with insert and lid, as shown and described.

DESCRIPTION

FIG. 1 is a front perspective view of a container with insert and lid showing our new design;

FIG. 2 is a front elevational view thereof;

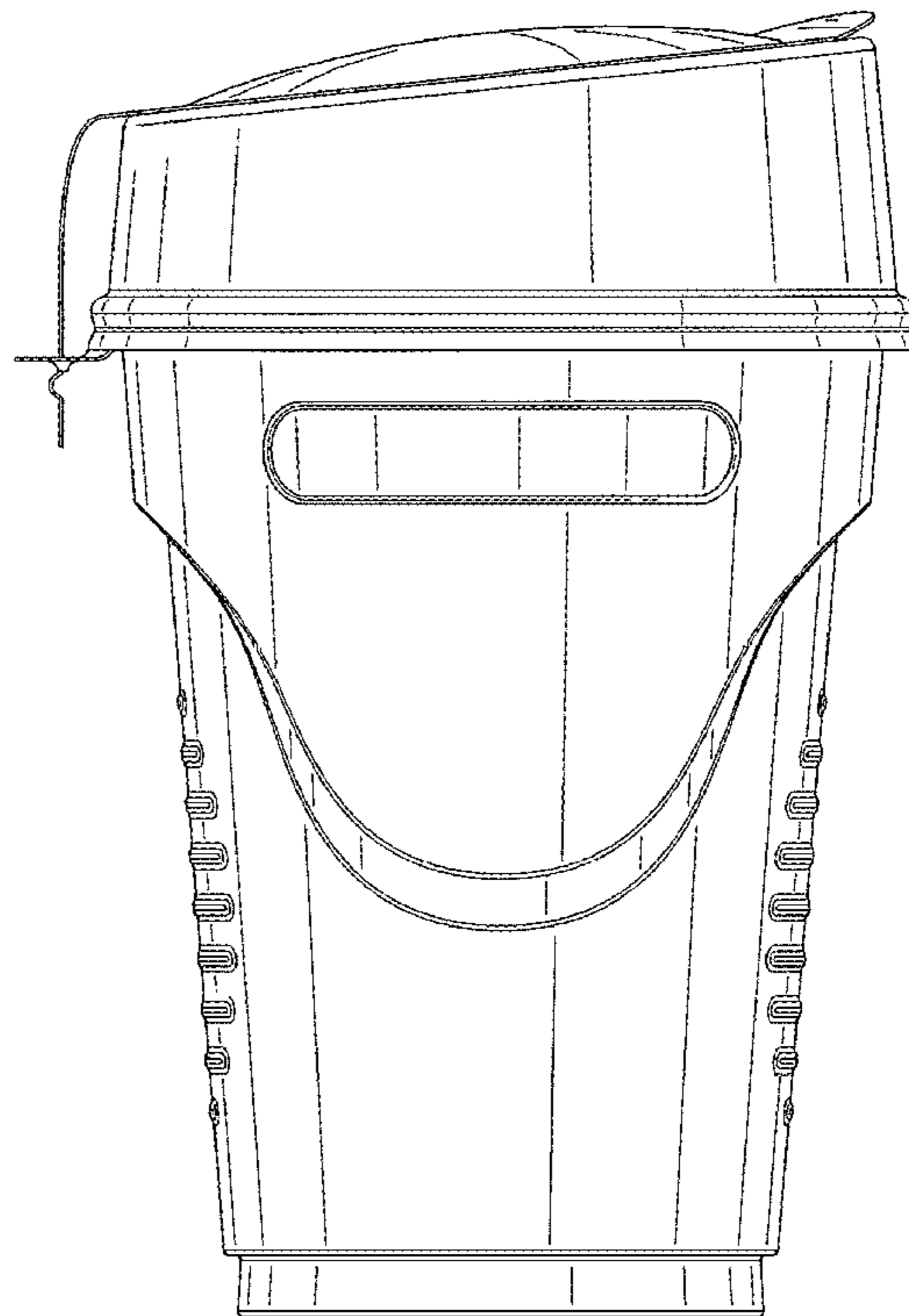
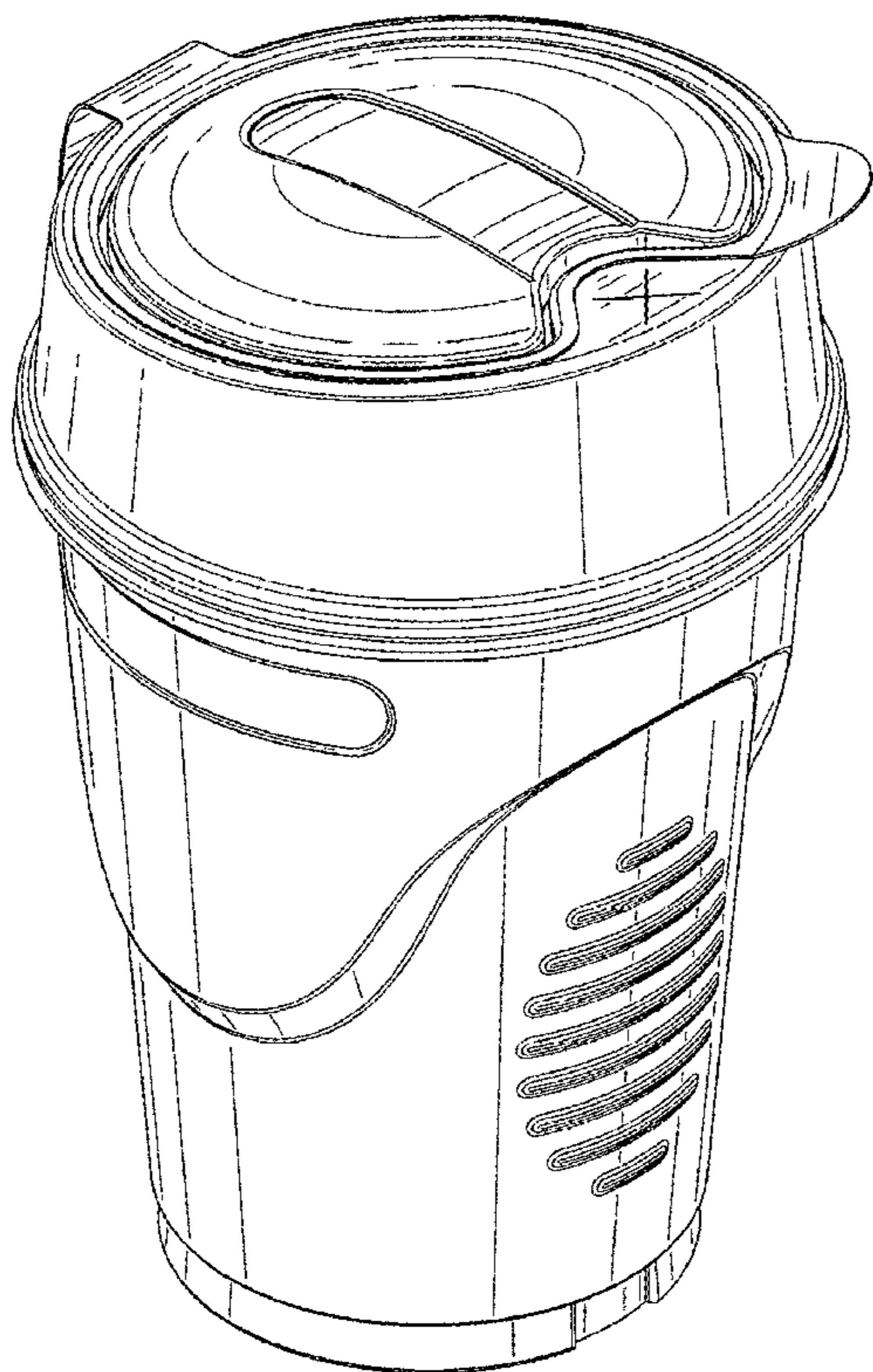
FIG. 3 is a rear elevational view thereof;

FIG. 4 is a first side elevational view thereof; and,

FIG. 5 is a second side elevational view thereof.

The broken lines in the drawing depict portions of the container with insert and lid that form no part of the claimed design.

1 Claim, 7 Drawing Sheets



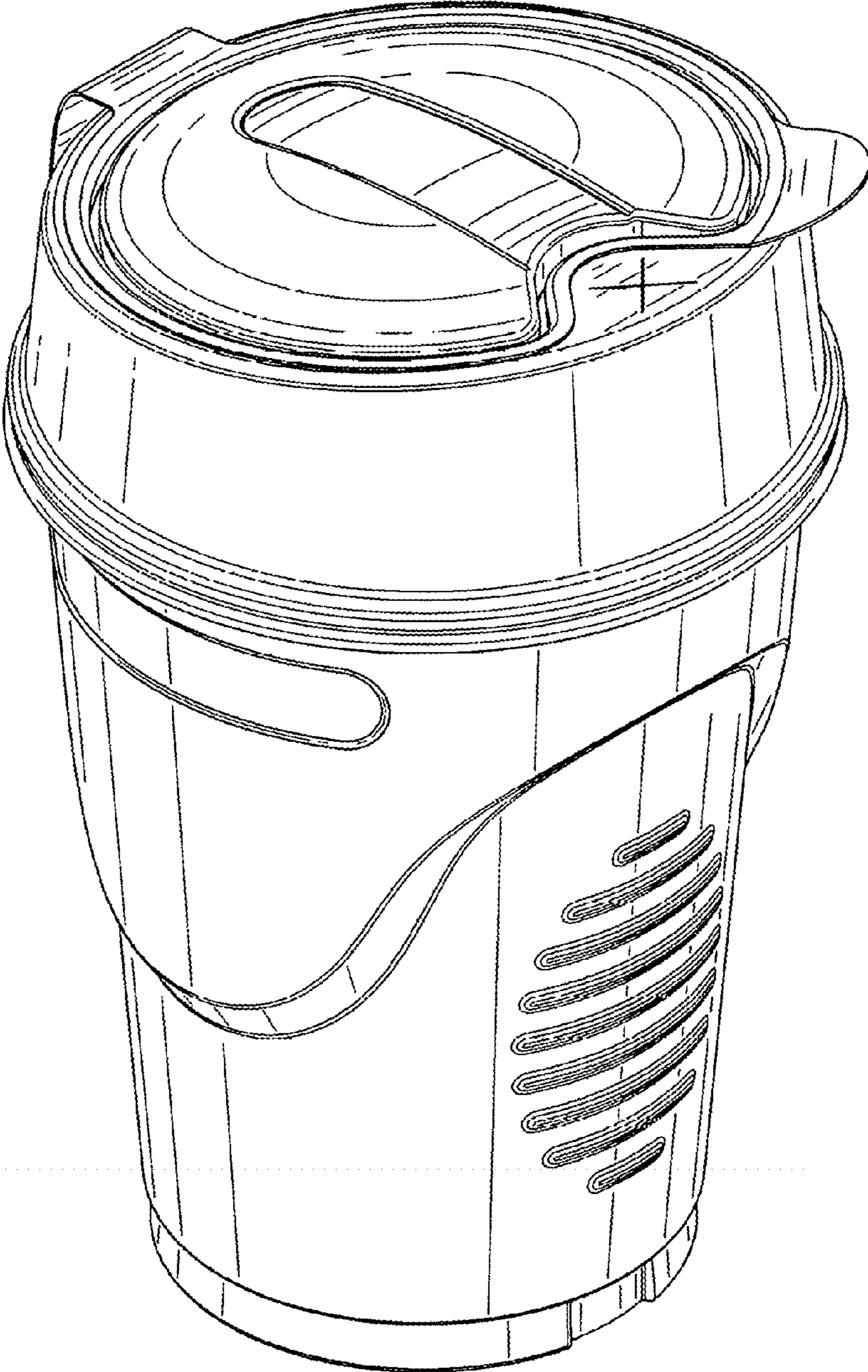


FIG. 1

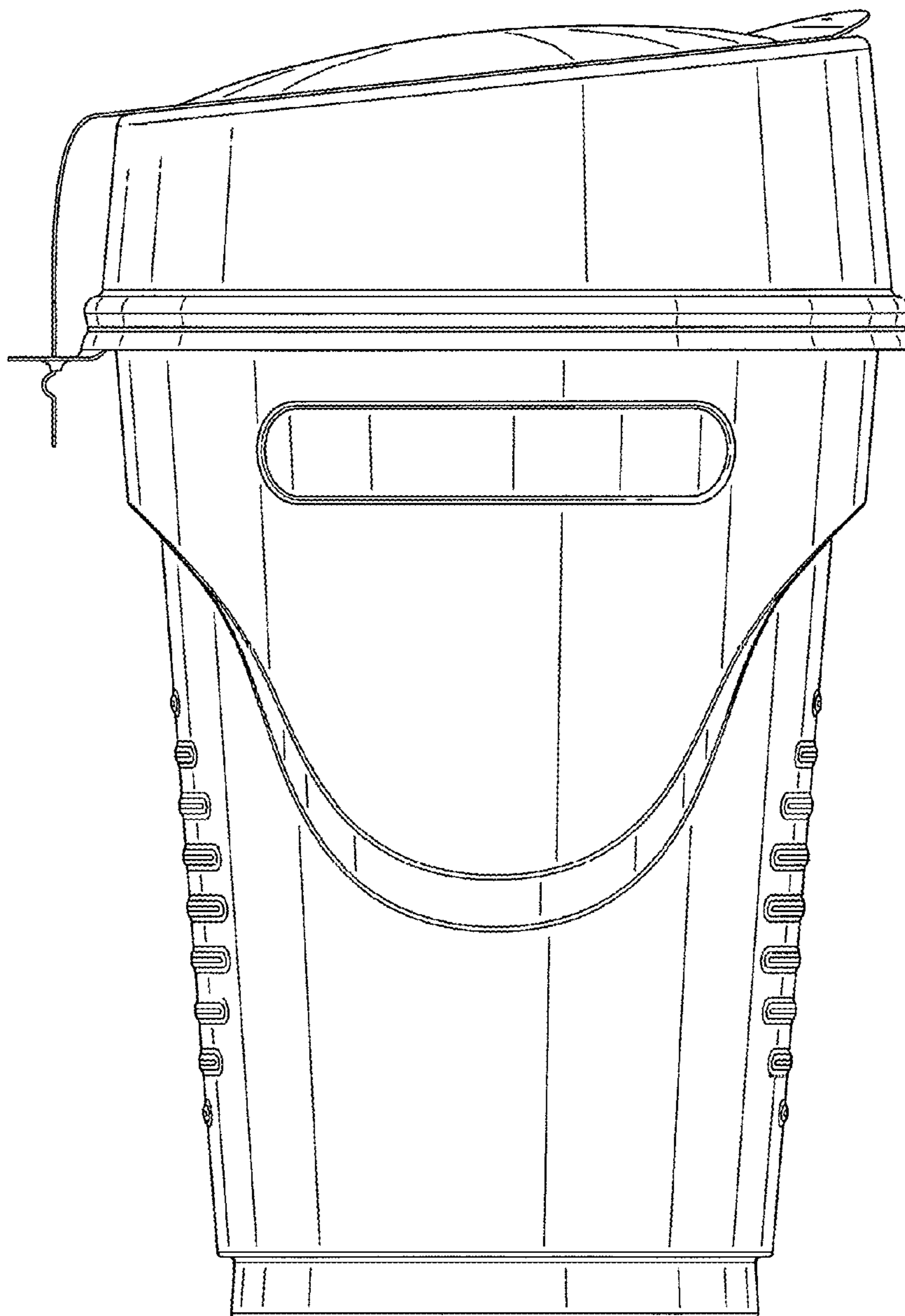


FIG. 2

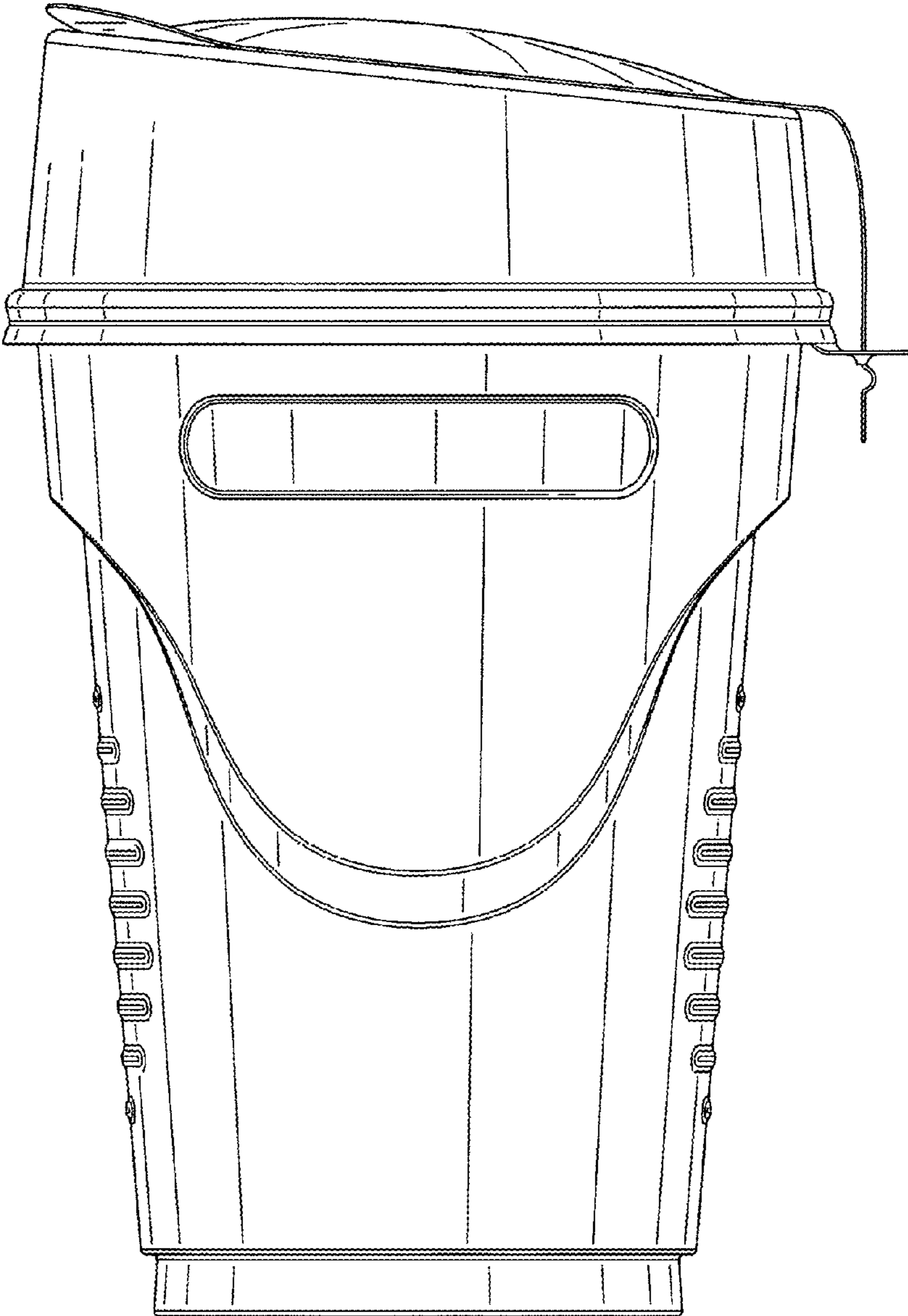


FIG. 3

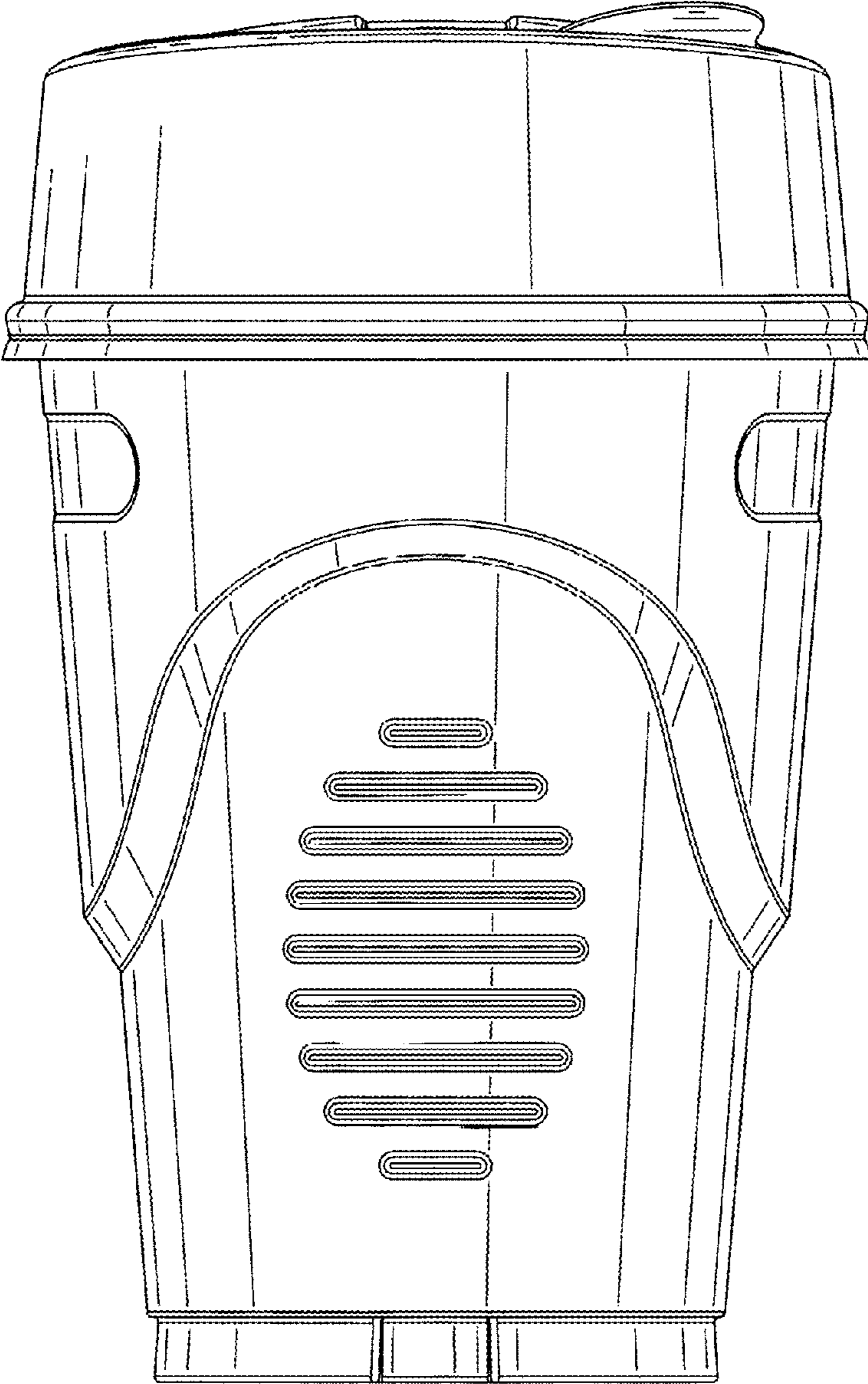


FIG. 4

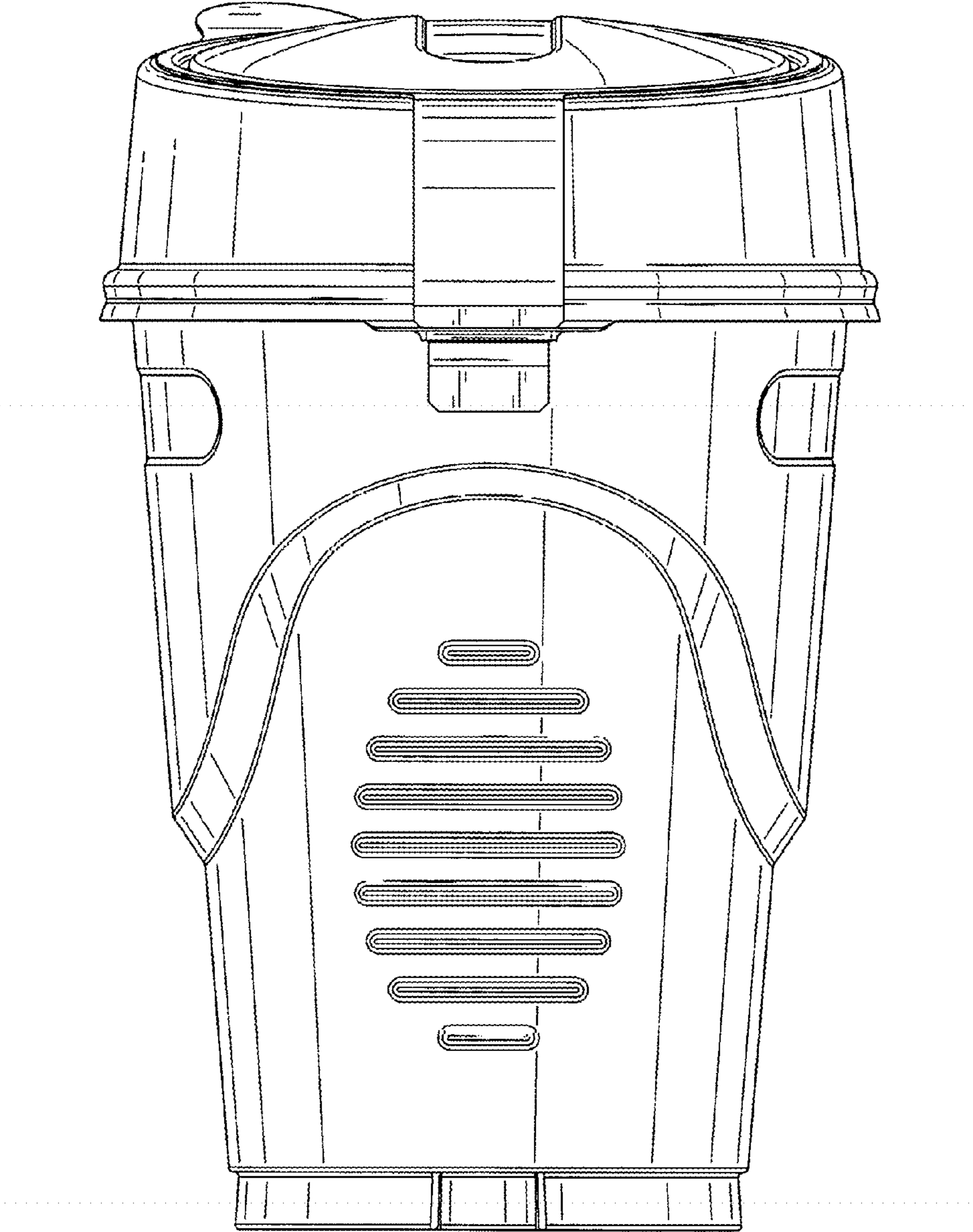


FIG. 5

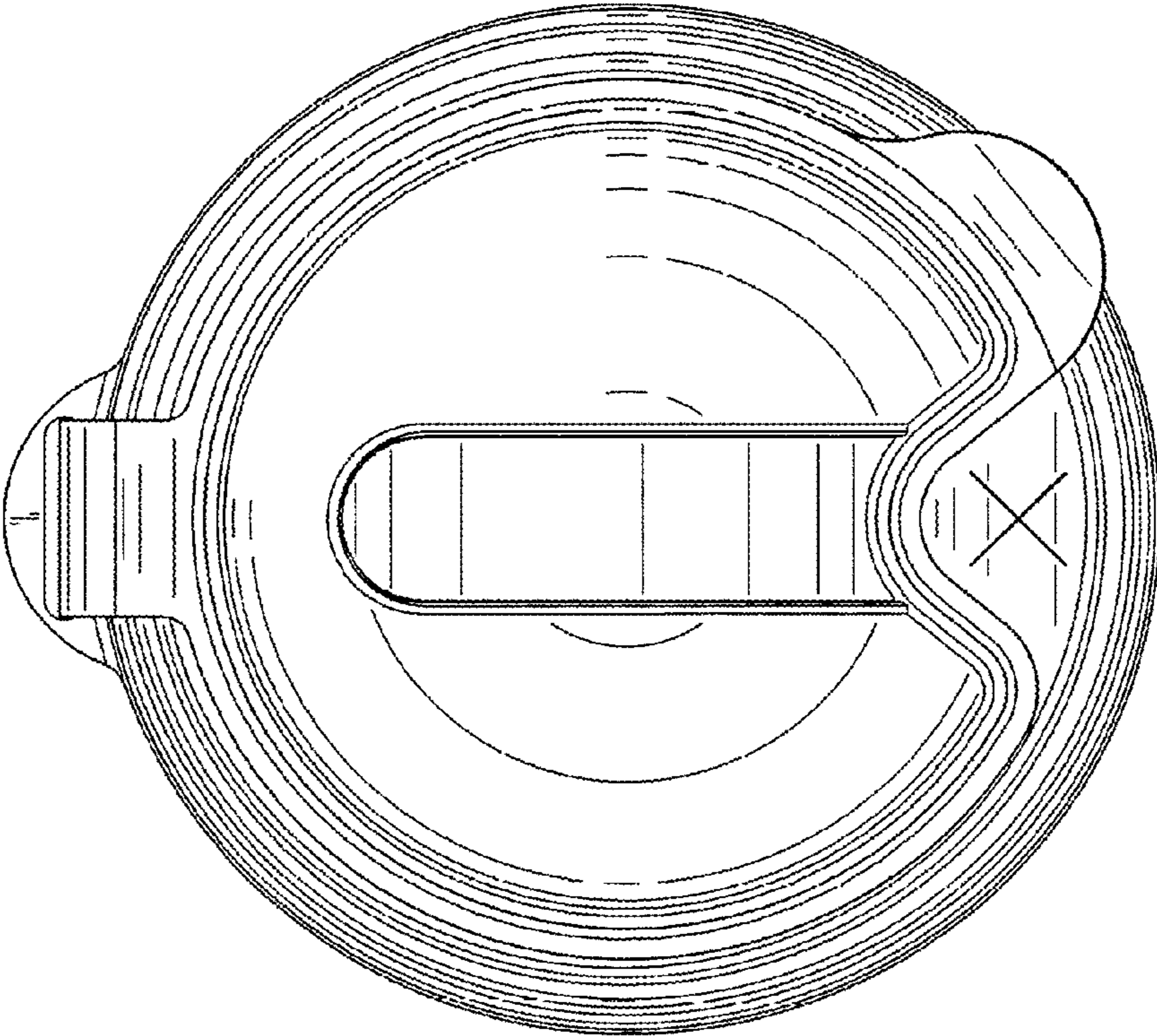


FIG. 6

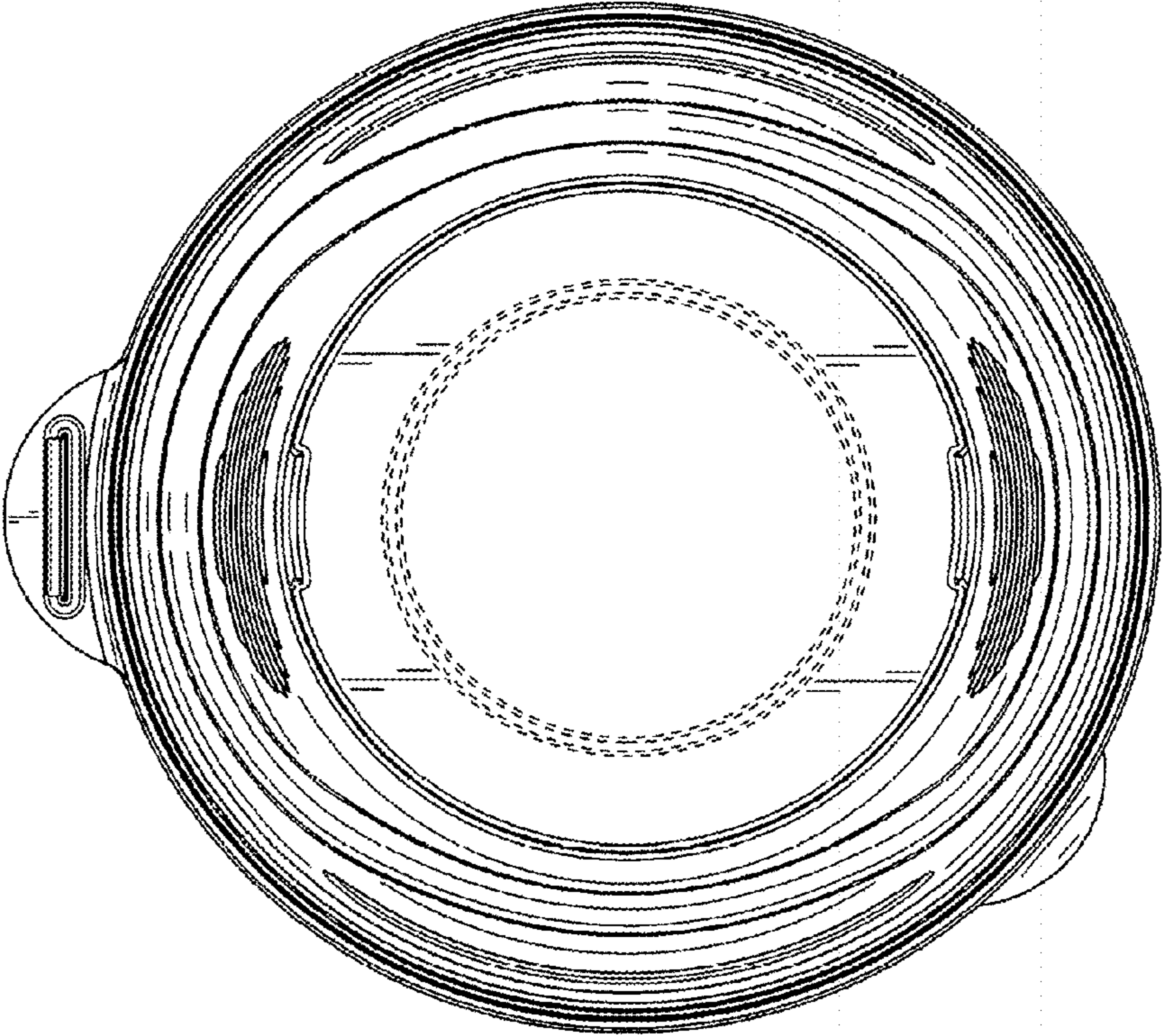


FIG. 7