

US00D764230S

(12) **United States Design Patent**  
**Shoemaker et al.**

(10) **Patent No.:** **US D764,230 S**

(45) **Date of Patent:** **\*\* Aug. 23, 2016**

(54) **WARMER DRAWER**

(71) Applicant: **Sears Brands, L.L.C.**, Hoffman Estates, IL (US)

(72) Inventors: **Anthony Shoemaker**, Bartlett, IL (US);  
**Jason Silverstein**, Hoffman Estates, IL (US); **Daniel Green**, Charlotte, NC (US); **Roddy Burgess**, Charlotte, NC (US)

(73) Assignee: **SEARS BRANDS, L.L.C.**, Hoffman Estates, IL (US)

(\*\*) Term: **15 Years**

(21) Appl. No.: **29/528,358**

(22) Filed: **May 28, 2015**

(51) **LOC (10) Cl.** ..... **07-02**

(52) **U.S. Cl.**  
USPC ..... **D7/405**

(58) **Field of Classification Search**  
USPC ..... D7/402, 403-408, 351, 350.4,  
D7/350.1-350.3, 323, 339-340, 346-349,  
D7/394

CPC .... H05B 6/763; H05B 6/6414; H05B 6/6408;  
Y02B 40/14; Y02B 40/143; Y02B 40/146;  
F24C 15/02; F24C 1/00; F24C 14/00; F24C  
3/00; F24C 5/00; F24C 7/00

See application file for complete search history.

(56) **References Cited**

**U.S. PATENT DOCUMENTS**

D110,987 S \* 8/1938 Teller et al. .... 126/39 R  
D275,546 S \* 9/1984 Tanaka ..... D7/351

D330,144 S \* 10/1992 Takebata ..... D7/351  
D524,103 S \* 7/2006 Bradshaw ..... D7/405  
D572,109 S \* 7/2008 Busalt ..... D8/316  
D575,978 S \* 9/2008 Borin ..... D7/350.1  
D612,680 S \* 3/2010 Baker ..... D7/405  
D612,681 S \* 3/2010 Baker ..... D7/405  
D656,776 S \* 4/2012 Funnell, II ..... D7/340  
D668,105 S \* 10/2012 Funnell, II ..... D7/405  
D710,151 S \* 8/2014 Busalt ..... D7/405  
D736,554 S \* 8/2015 Steiner ..... D7/350.1  
2013/0319995 A1\* 12/2013 Bringe ..... F24C 7/00  
219/399

\* cited by examiner

*Primary Examiner* — Sheryl Lane

*Assistant Examiner* — Nicole Shiflet

(74) *Attorney, Agent, or Firm* — McAndrews, Held & Malloy, Ltd.

(57) **CLAIM**

The ornamental design for a warmer drawer, as shown and described.

**DESCRIPTION**

FIG. 1 is a top right front perspective view of a warmer drawer showing our new design;

FIG. 2 is a front view thereof;

FIG. 3 is a right-side elevation view thereof;

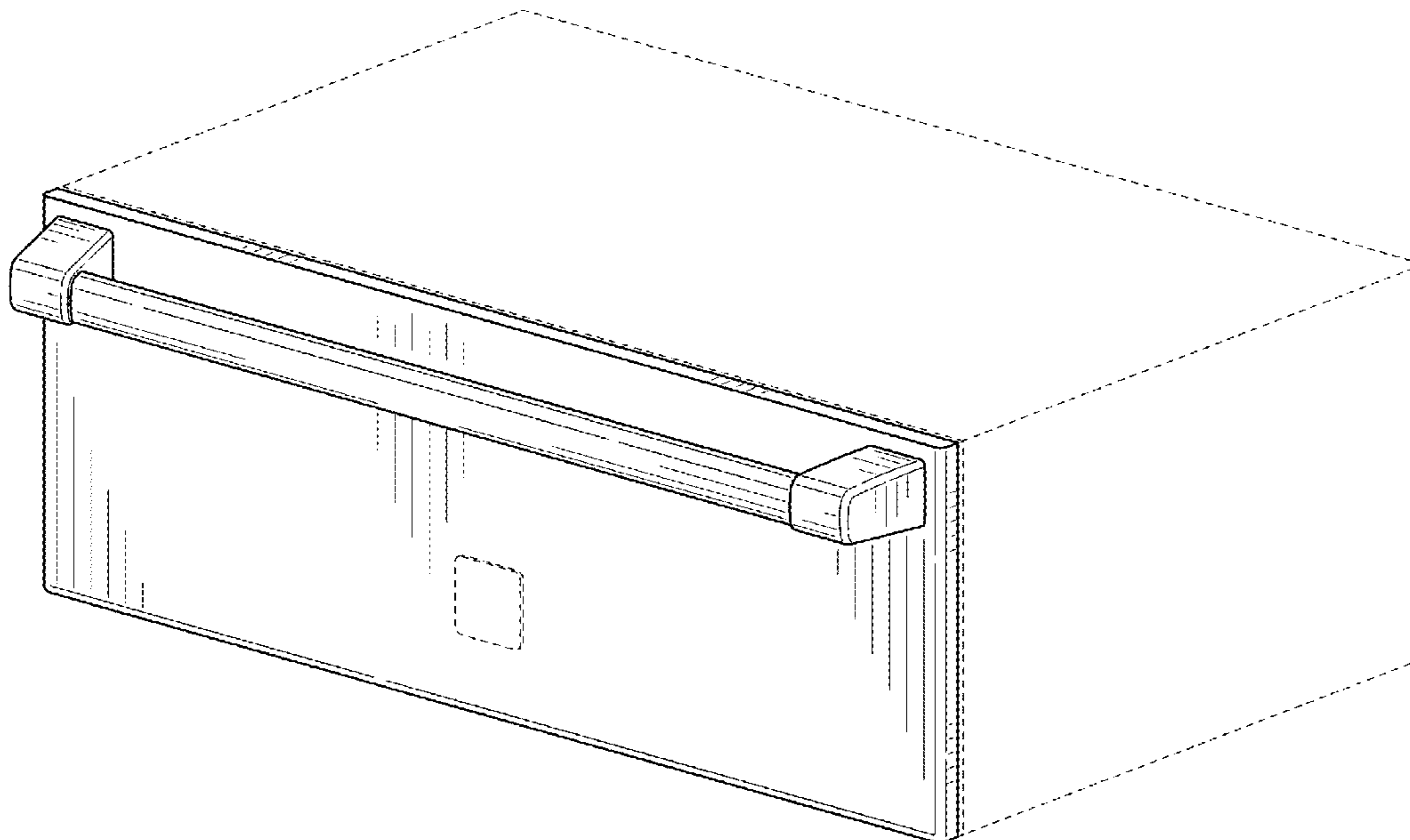
FIG. 4 is a left-side elevation view thereof;

FIG. 5 is a top plan view thereof; and,

FIG. 6 is a bottom plan view thereof.

The dashed broken lines are for environmental purposes only and form no part of the claimed design.

**1 Claim, 4 Drawing Sheets**



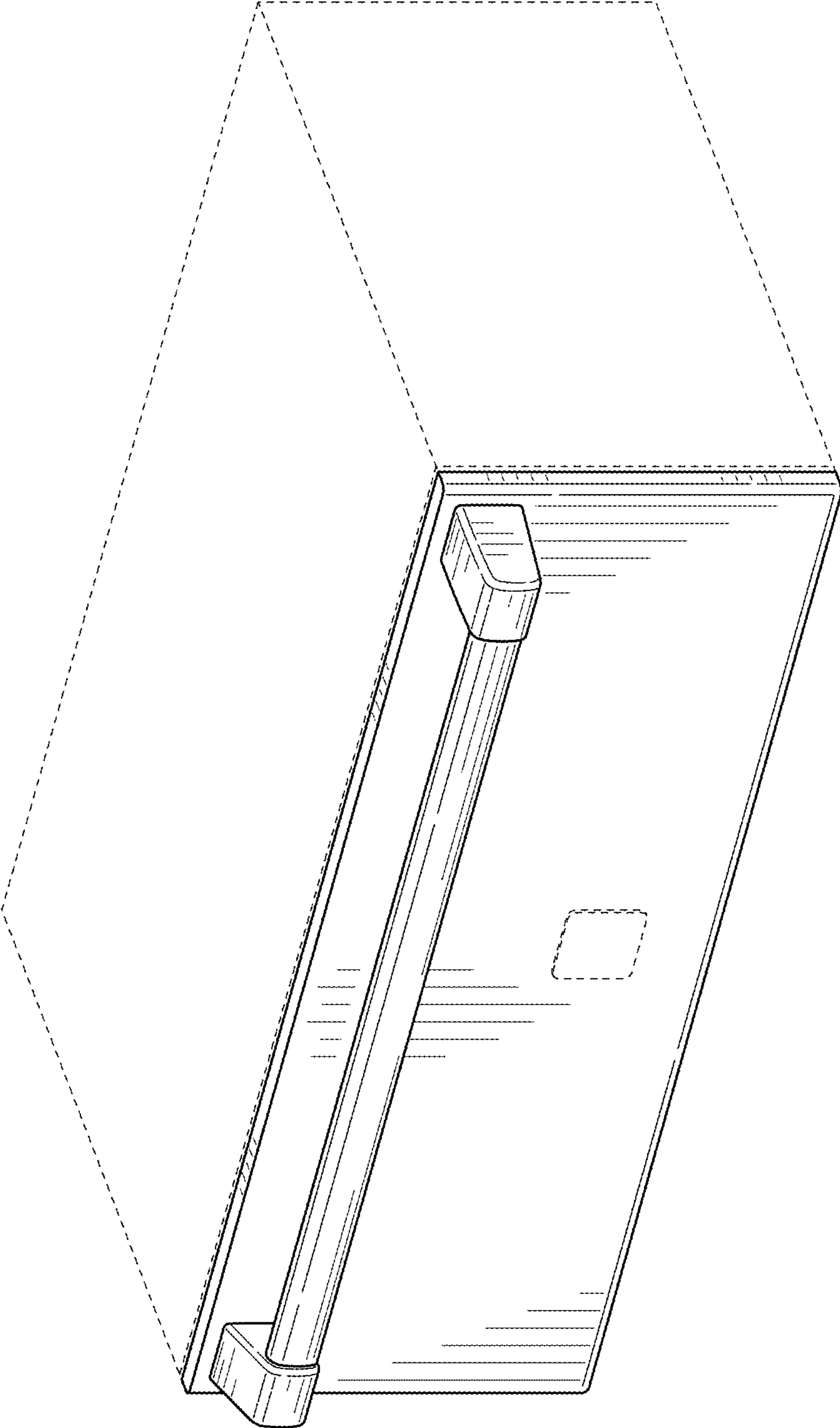


FIG. 1

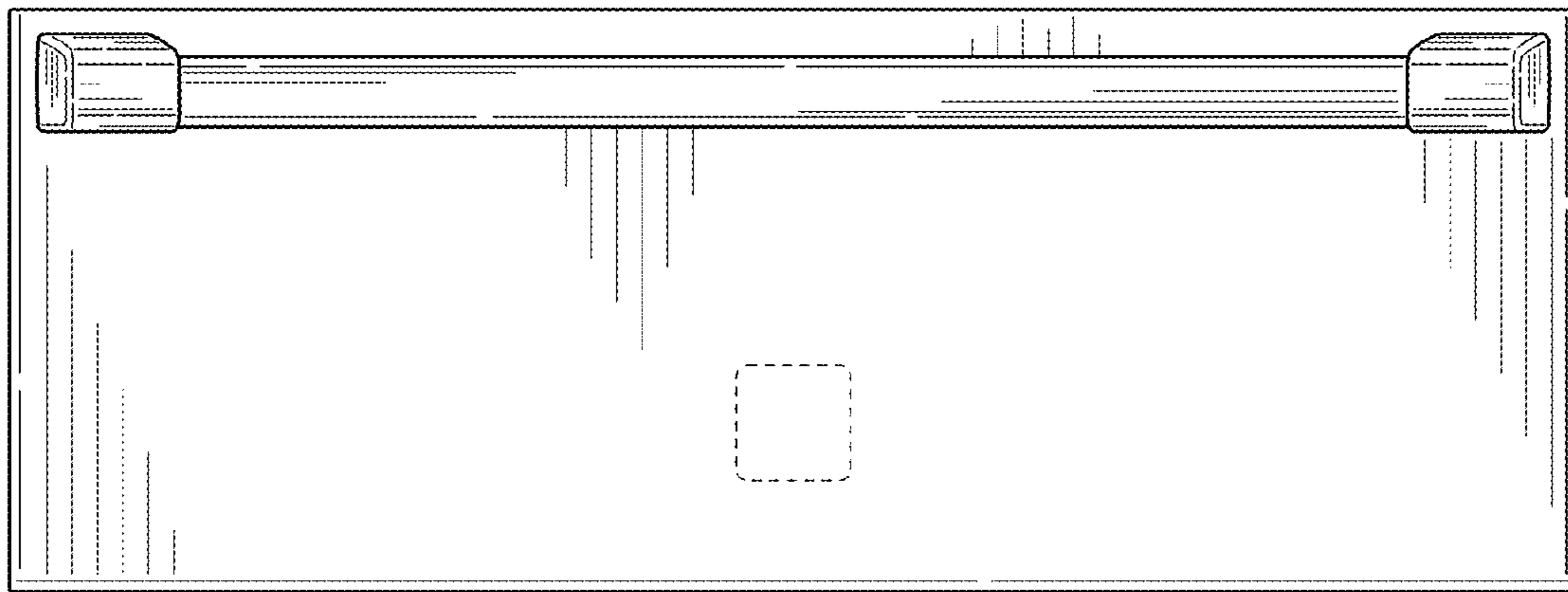


FIG. 2



FIG. 3

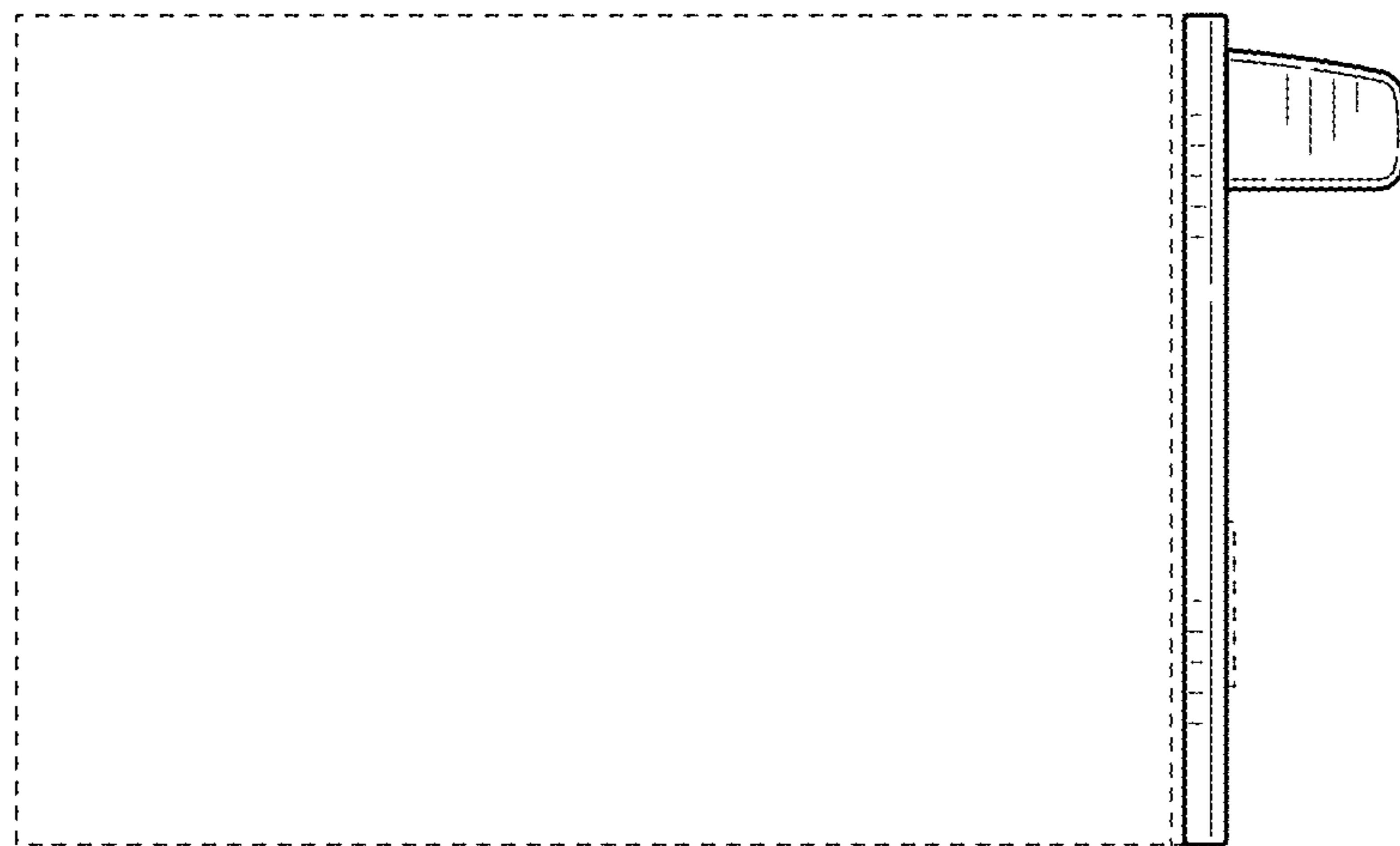


FIG. 4



FIG. 5

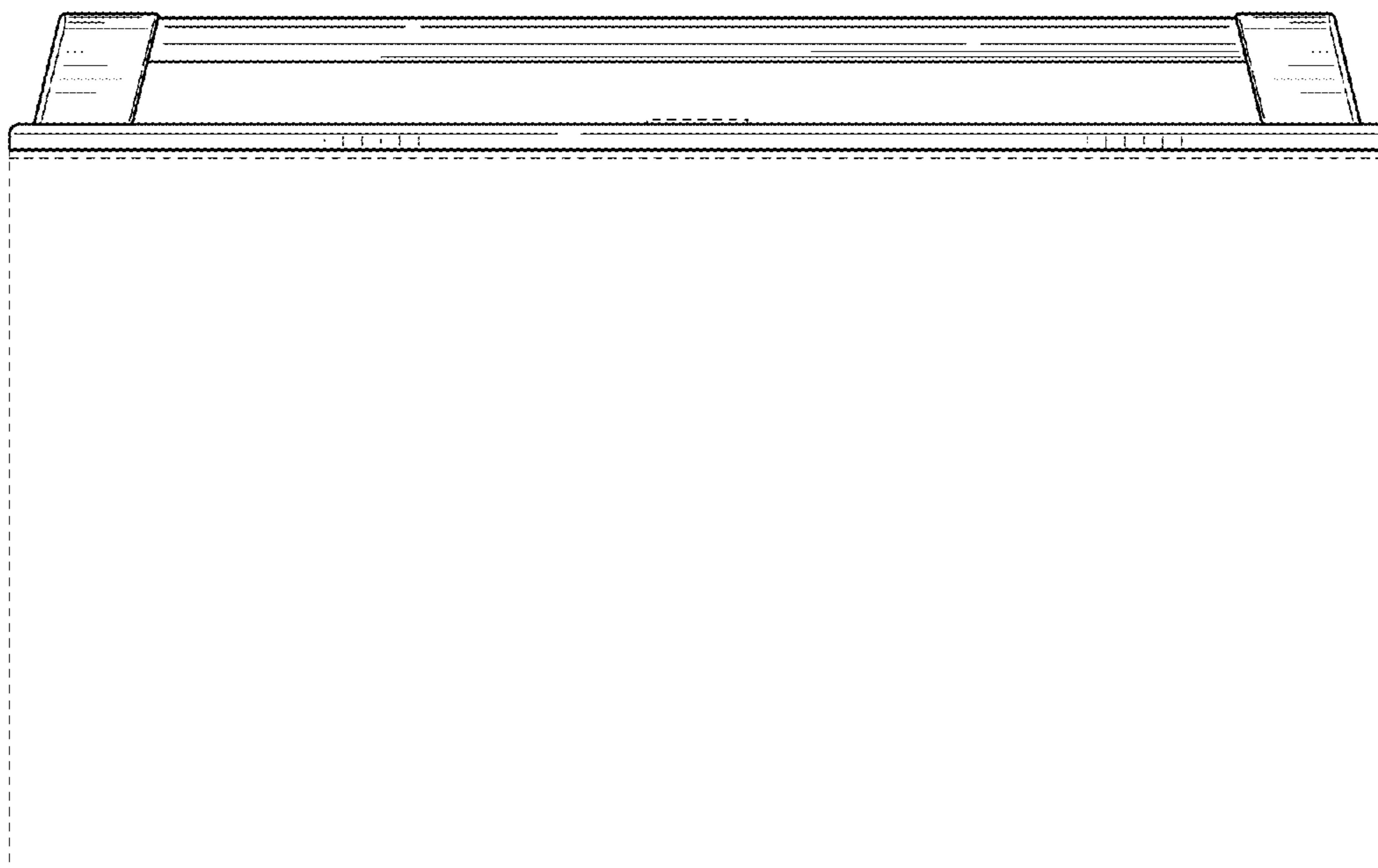


FIG. 6