



US00D764228S

(12) **United States Design Patent**
Kim et al.

(10) **Patent No.:** **US D764,228 S**

(45) **Date of Patent:** **** Aug. 23, 2016**

(54) **MICROWAVE OVEN**

(71) Applicant: **LG ELECTRONICS INC.**, Seoul (KR)

(72) Inventors: **Soo Yeon Kim**, Seoul (KR); **Han Jin Jung**, Seoul (KR); **Song Yi Han**, Seoul (KR); **In Hwan Ryu**, Seoul (KR)

(73) Assignee: **LG ELECTRONICS INC.**, Seoul (KR)

(**) Term: **14 Years**

(21) Appl. No.: **29/525,186**

(22) Filed: **Apr. 28, 2015**

(30) **Foreign Application Priority Data**

Nov. 13, 2014 (KR) 30-2014-0054708

(51) **LOC (10) Cl.** **07-02**

(52) **U.S. Cl.**
USPC **D7/405**

(58) **Field of Classification Search**
USPC D7/402, 403-408, 351, 350.4,
D7/350.1-350.3, 323, 339-340, 346-349,
D7/394

CPC H05B 6/763; H05B 6/6414; H05B 6/6408;
Y02B 40/14; Y02B 40/143; Y02B 40/146;
F24C 15/02; F24C 1/00; F24C 14/00; F24C
3/00; F24C 5/00; F24C 7/00

See application file for complete search history.

(56) **References Cited**

U.S. PATENT DOCUMENTS

D442,018 S * 5/2001 Kusachi D7/351
D461,365 S * 8/2002 Hessen D7/405
D463,198 S * 9/2002 Nishikawa D7/351

D530,973 S * 10/2006 Lee D7/351
D535,516 S * 1/2007 Lee D7/351
D705,008 S * 5/2014 Shin D7/405
D708,469 S * 7/2014 Kim D7/351
D712,694 S * 9/2014 Kim D7/351
2003/0150853 A1 * 8/2003 Kang H05B 6/6435
219/720

* cited by examiner

Primary Examiner — Sheryl Lane

Assistant Examiner — Nicole Shiflet

(74) *Attorney, Agent, or Firm* — Birch, Stewart, Kolasch & Birch, LLP

(57) **CLAIM**

We claim the ornamental design for a microwave oven, as shown and described.

DESCRIPTION

FIG. 1 is a perspective view of a microwave oven showing the new design with its door fully opened;

FIG. 2 is a front elevation view thereof;

FIG. 3 is a rear elevation view thereof;

FIG. 4 is a left-side elevation view thereof;

FIG. 5 is a right-side elevation view thereof;

FIG. 6 is a top plan view thereof;

FIG. 7 is a bottom plan view thereof;

FIG. 8 is a perspective view with its door fully closed;

FIG. 9 is a front elevation view thereof;

FIG. 10 is a rear elevation view thereof;

FIG. 11 is a left-side elevation view thereof;

FIG. 12 is a right-side elevation view thereof;

FIG. 13 is a top plan view thereof; and,

FIG. 14 is a bottom plan view thereof.

The broken lines in the drawing figures are included for the purpose of illustrating environment and form no part of the claimed design.

1 Claim, 9 Drawing Sheets

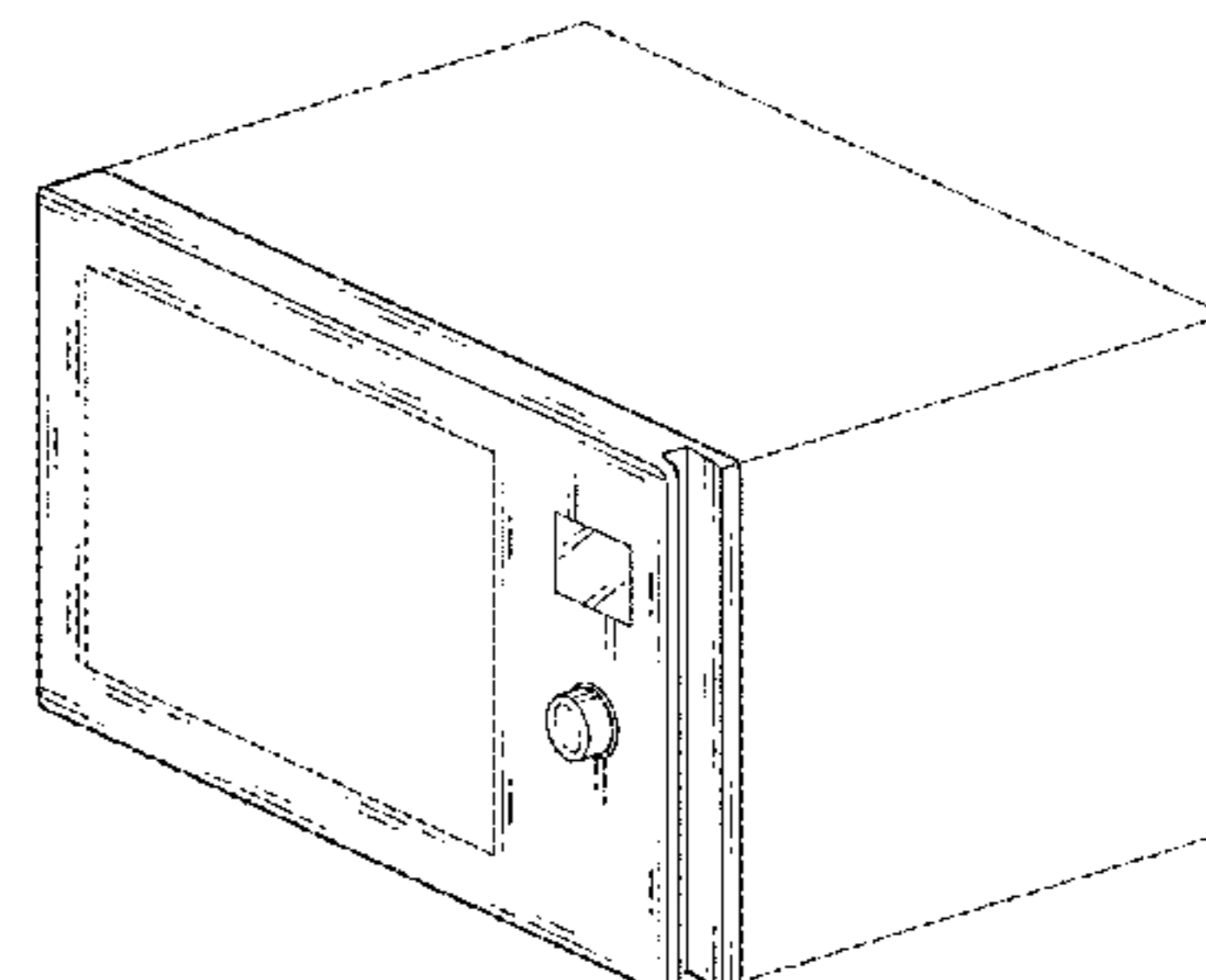
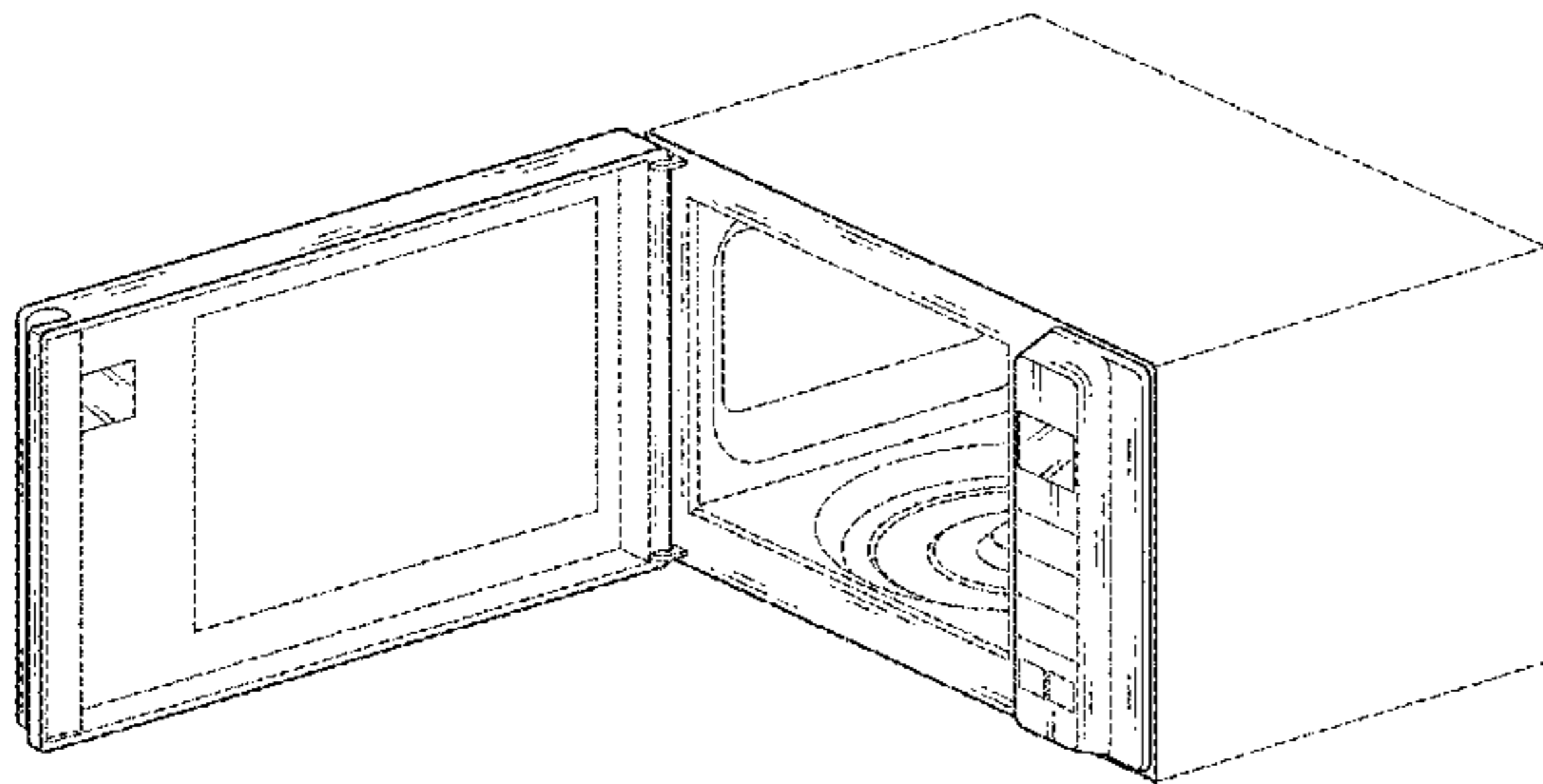


FIG. 1

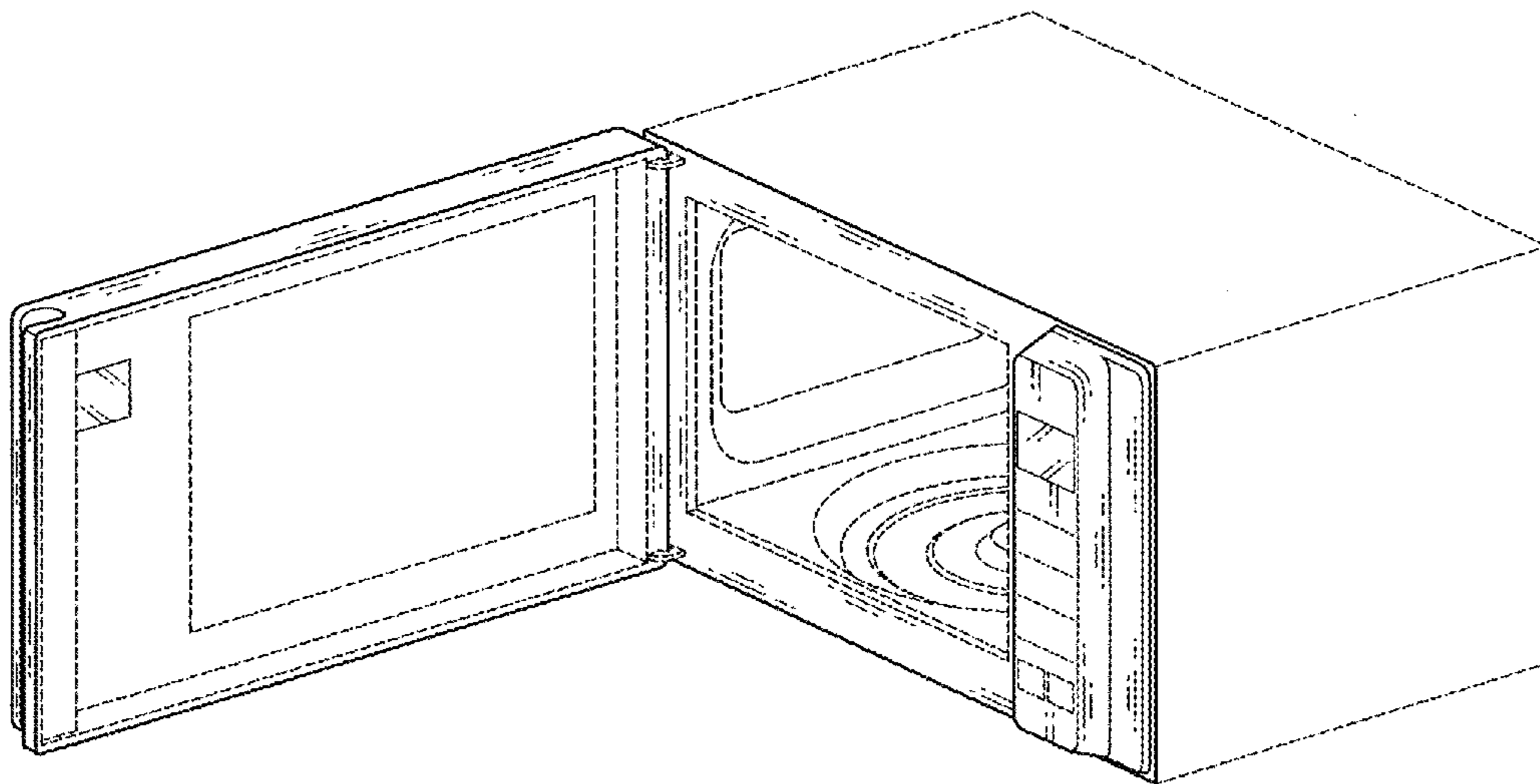


FIG. 2

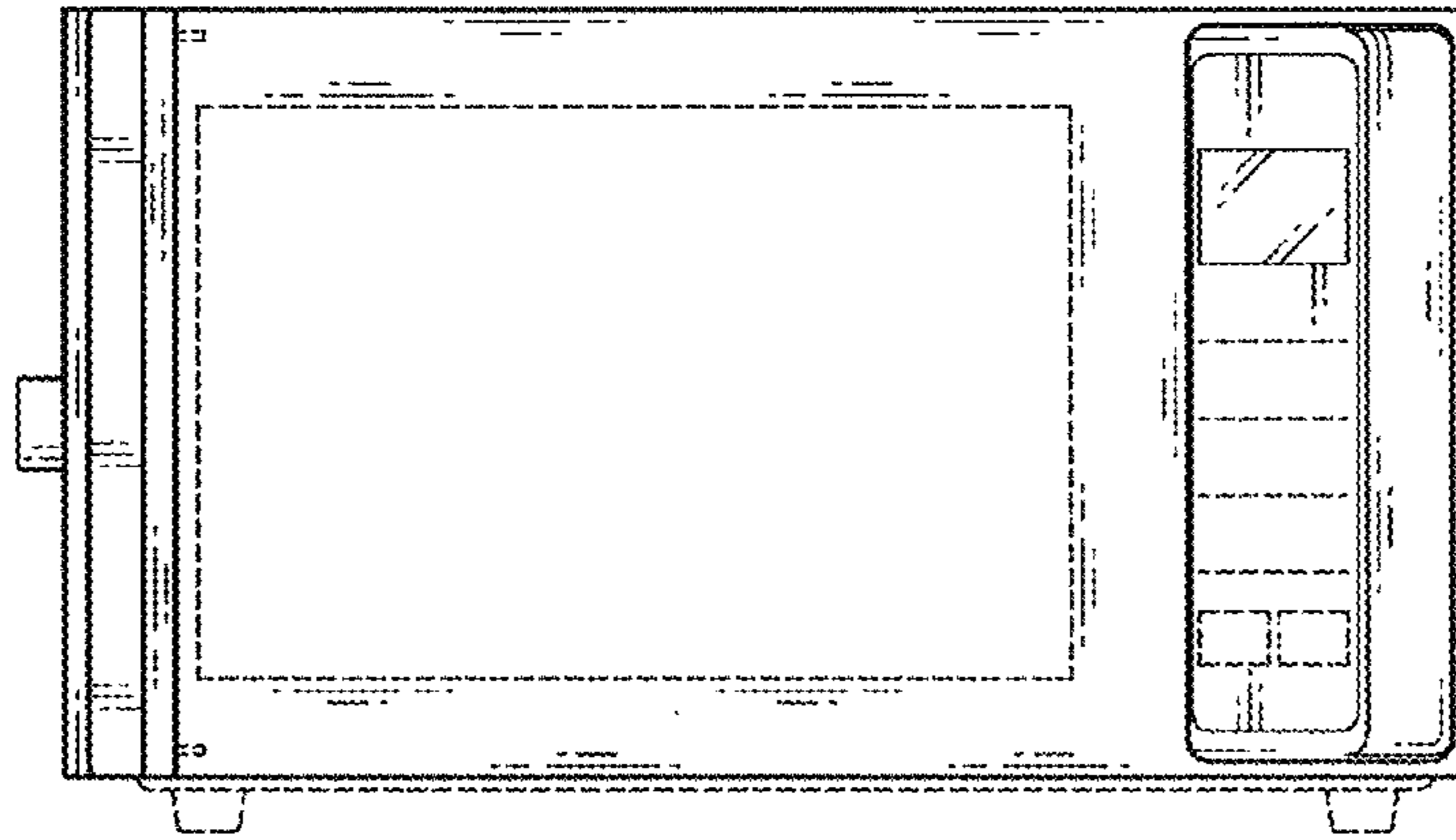


FIG. 3



FIG. 4

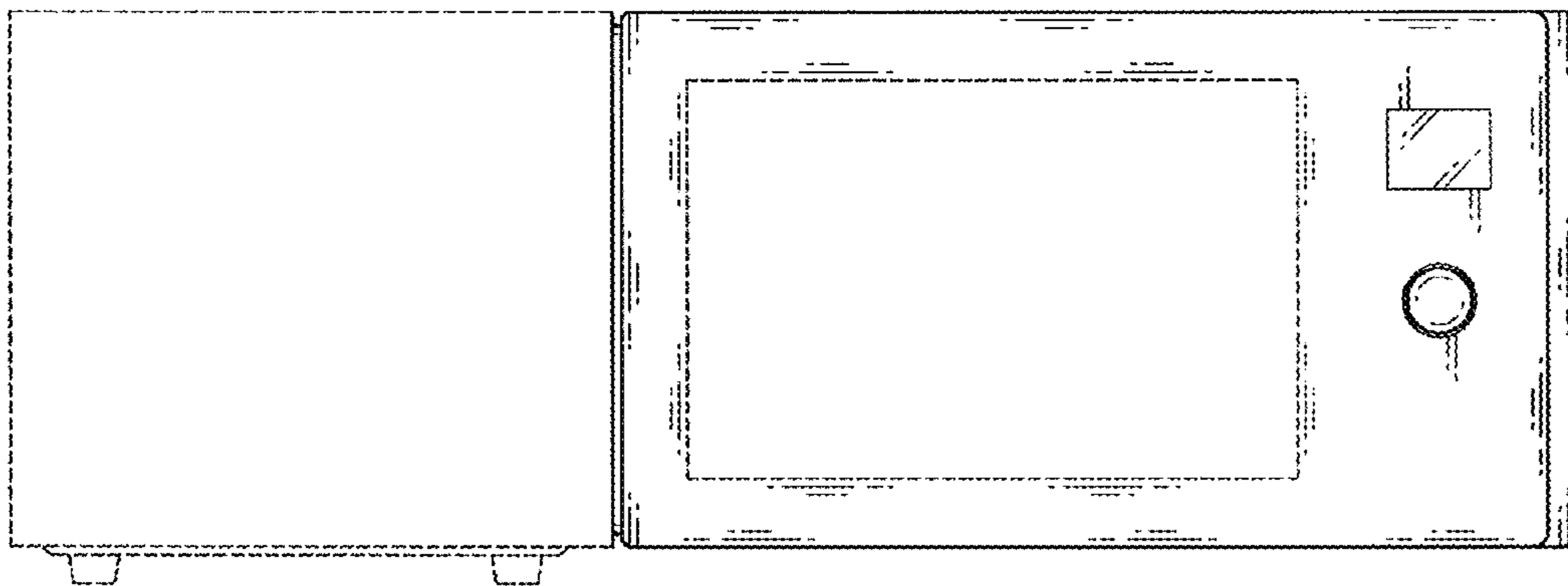


FIG. 5

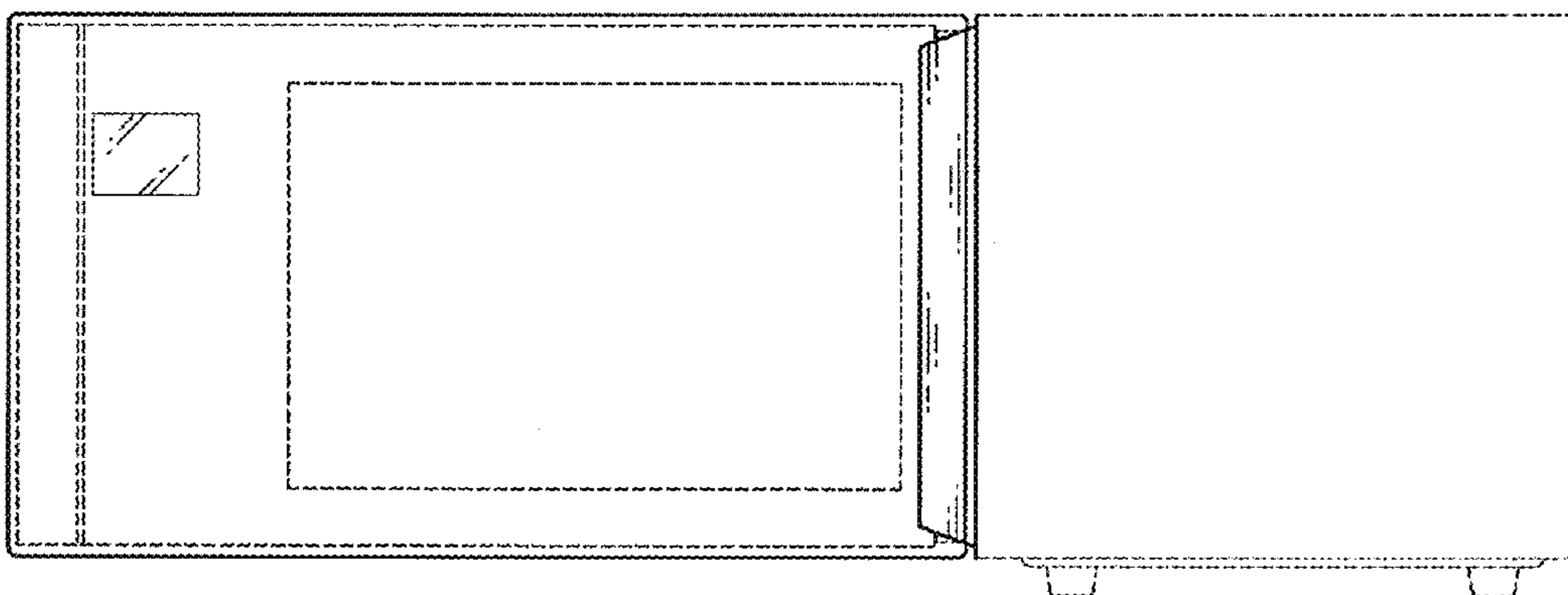


FIG. 6

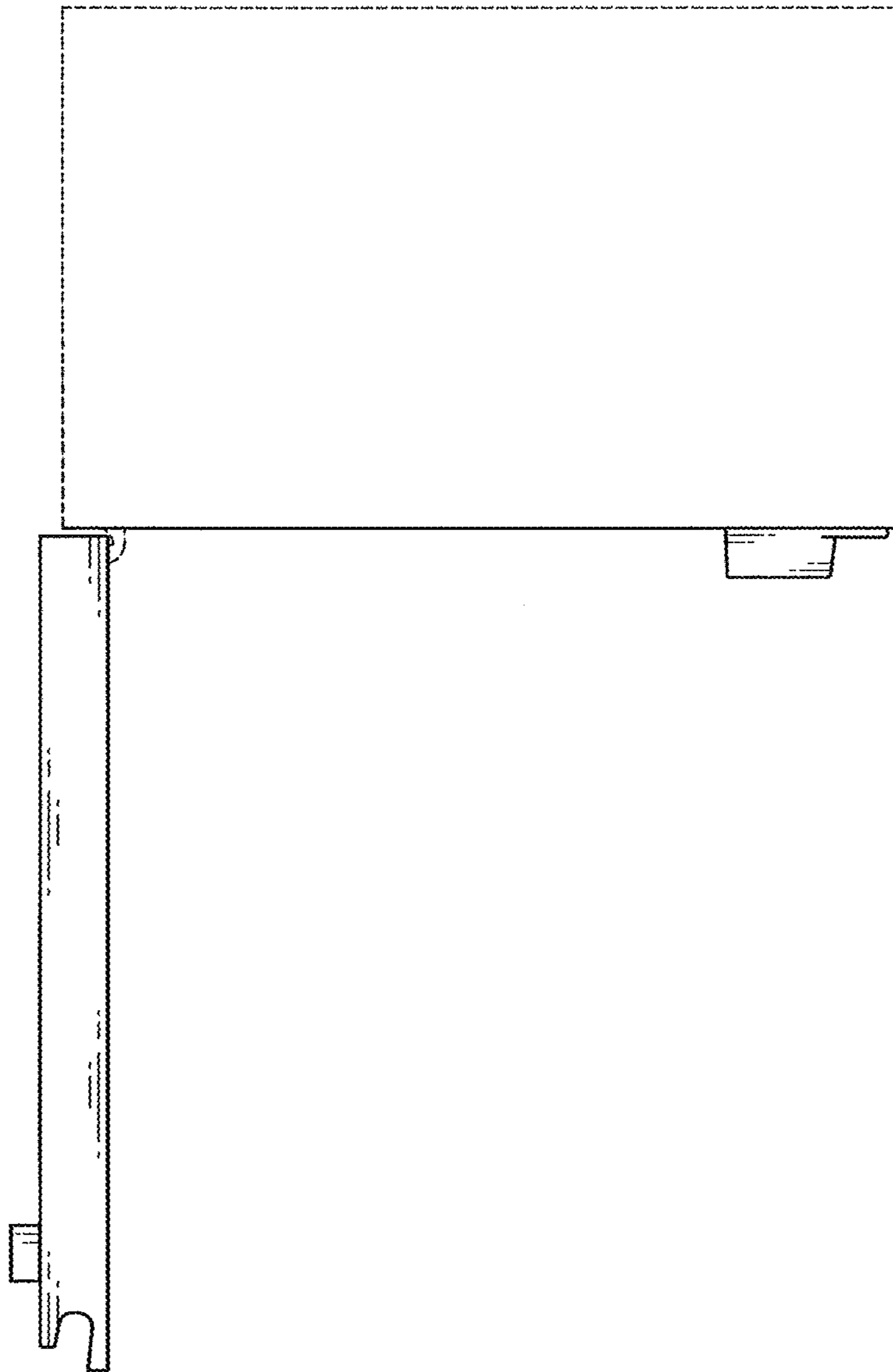


FIG. 7

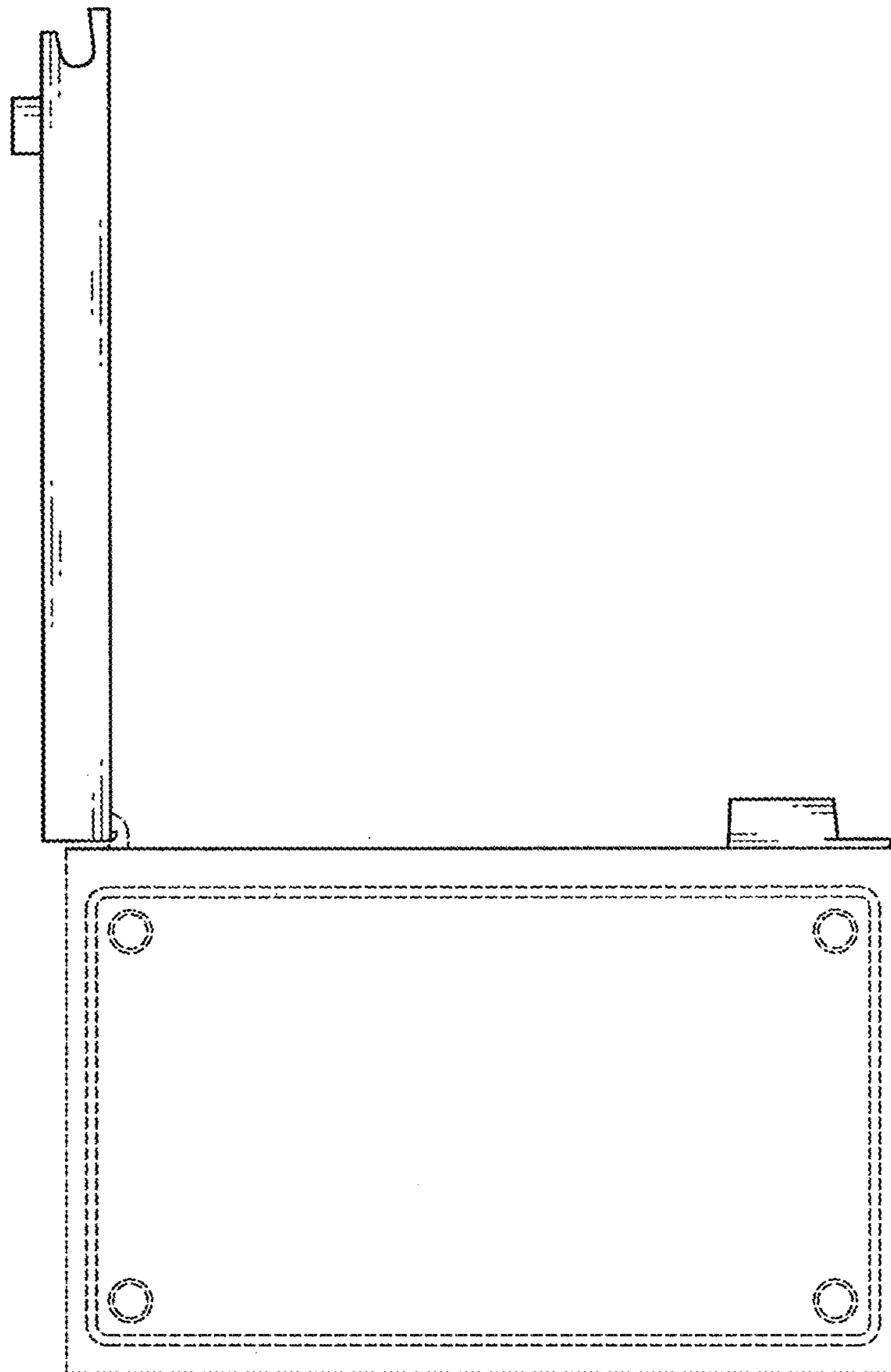


FIG. 8

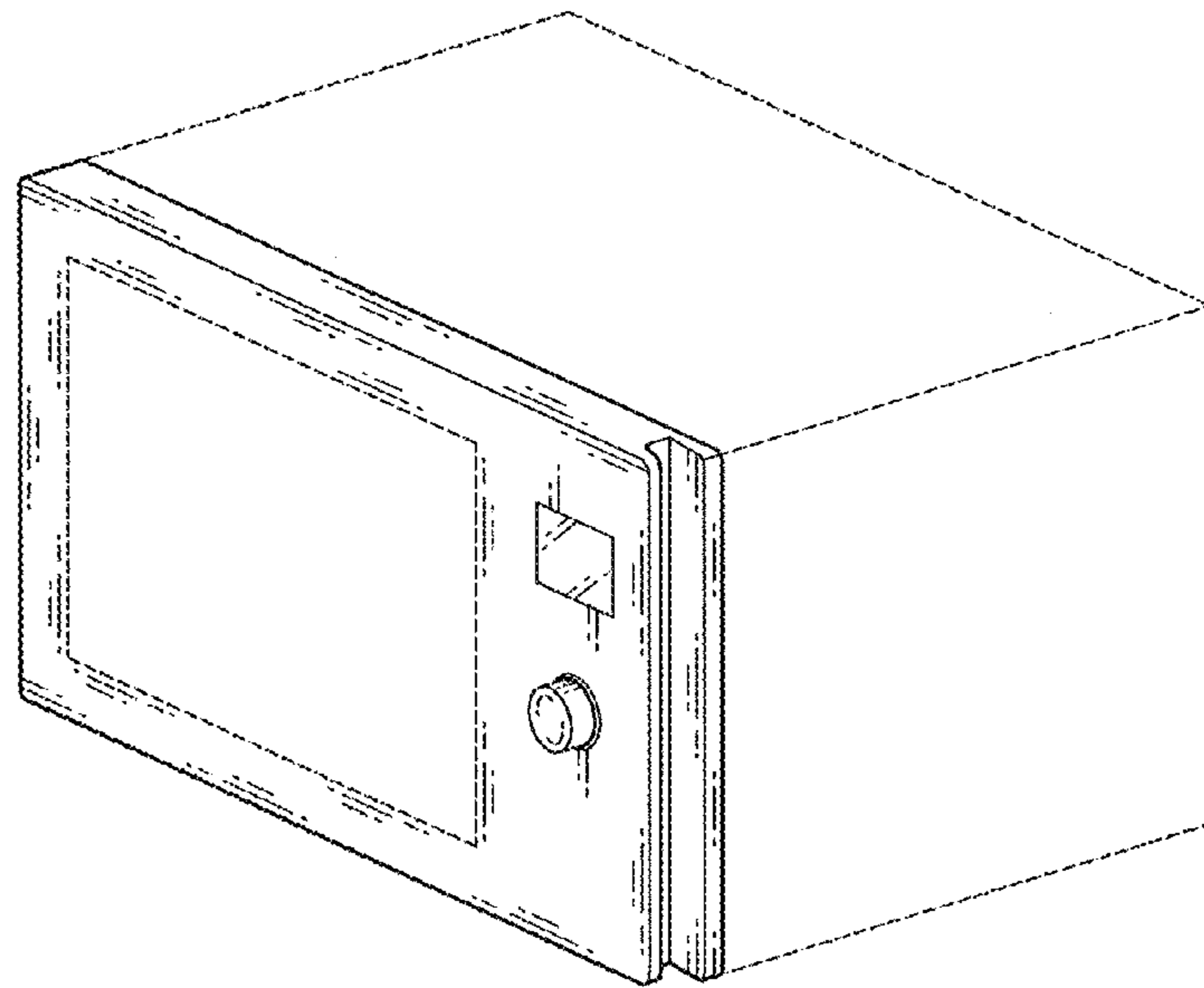


FIG. 9

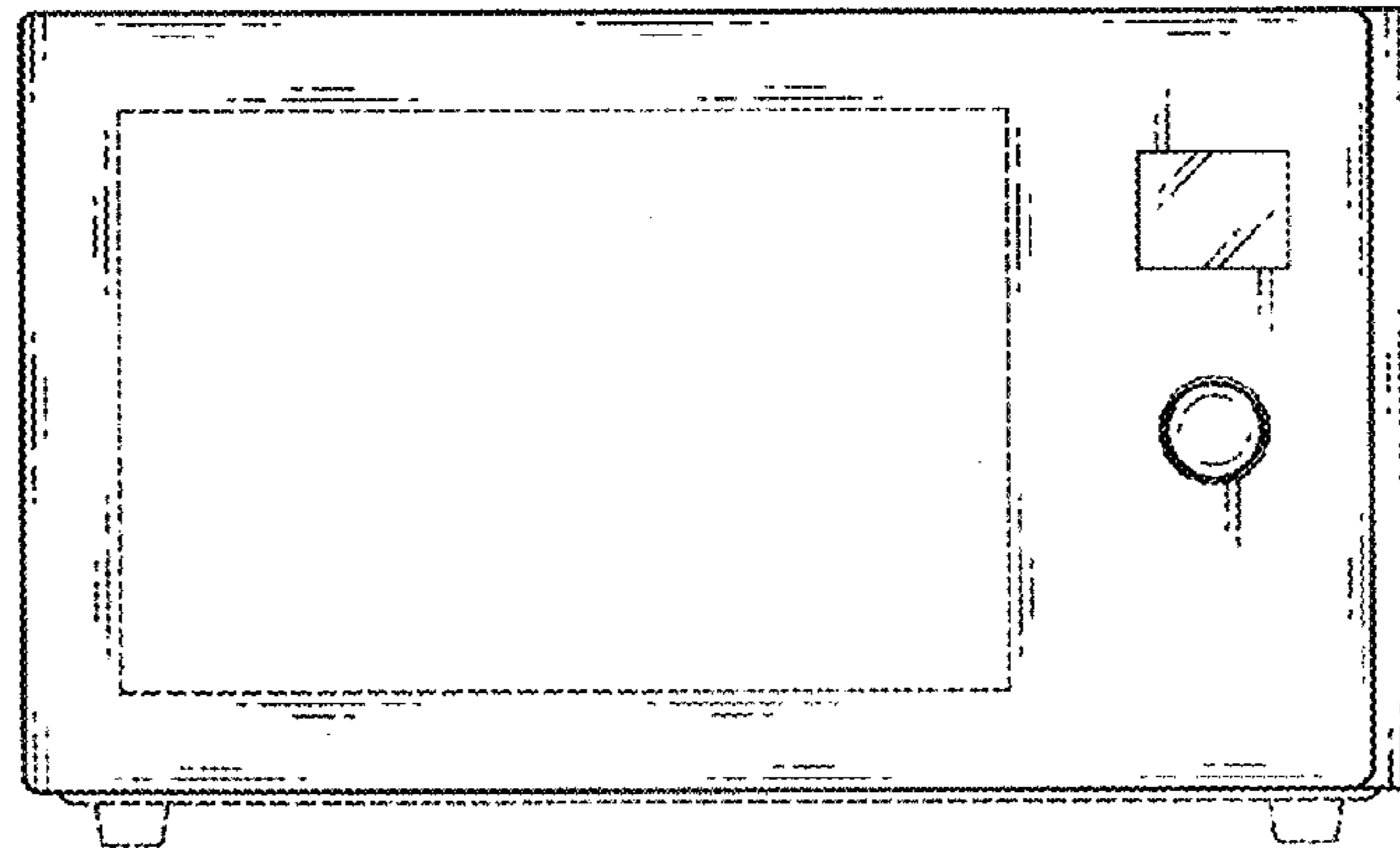


FIG. 10

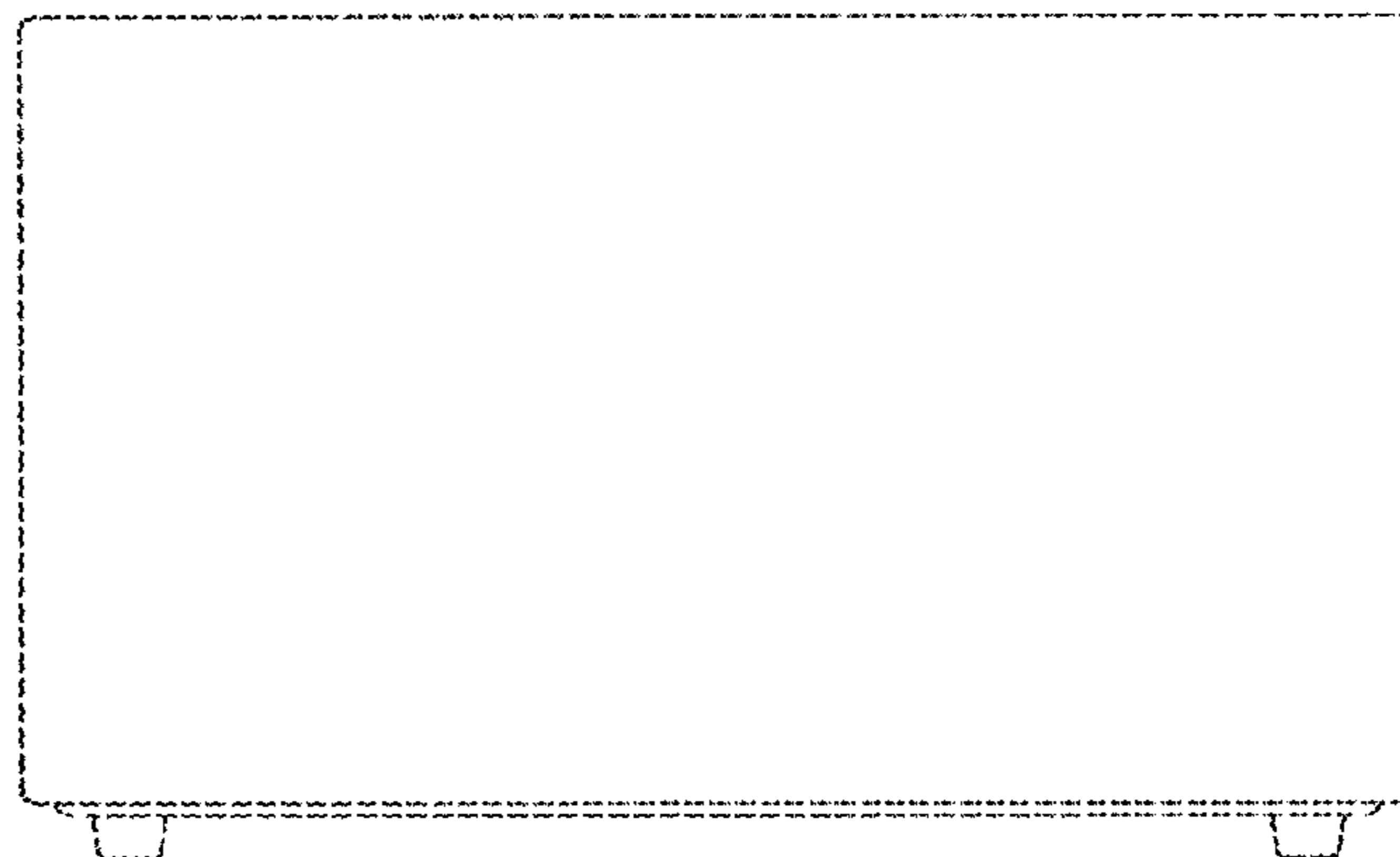


FIG. 11

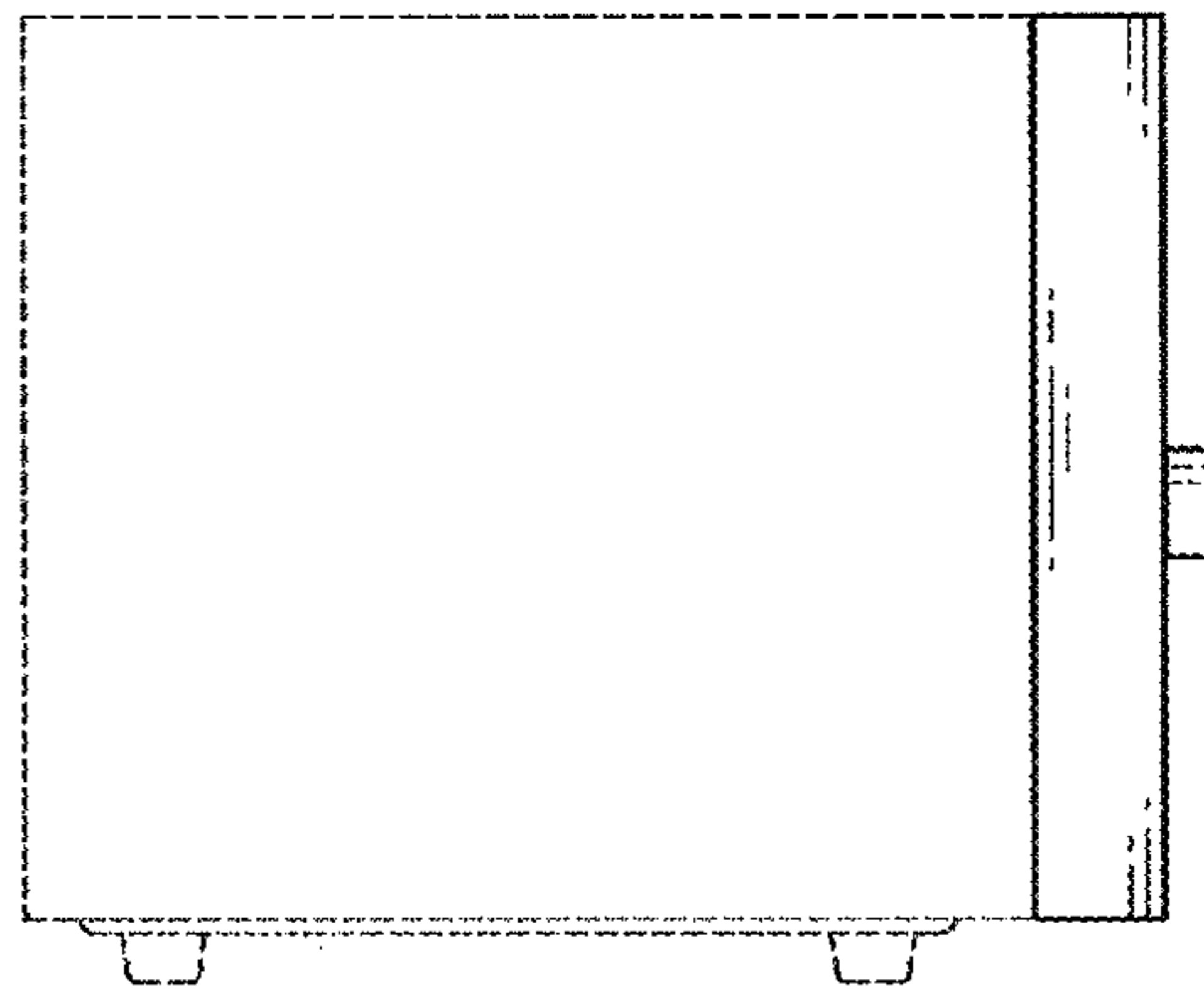


FIG. 12

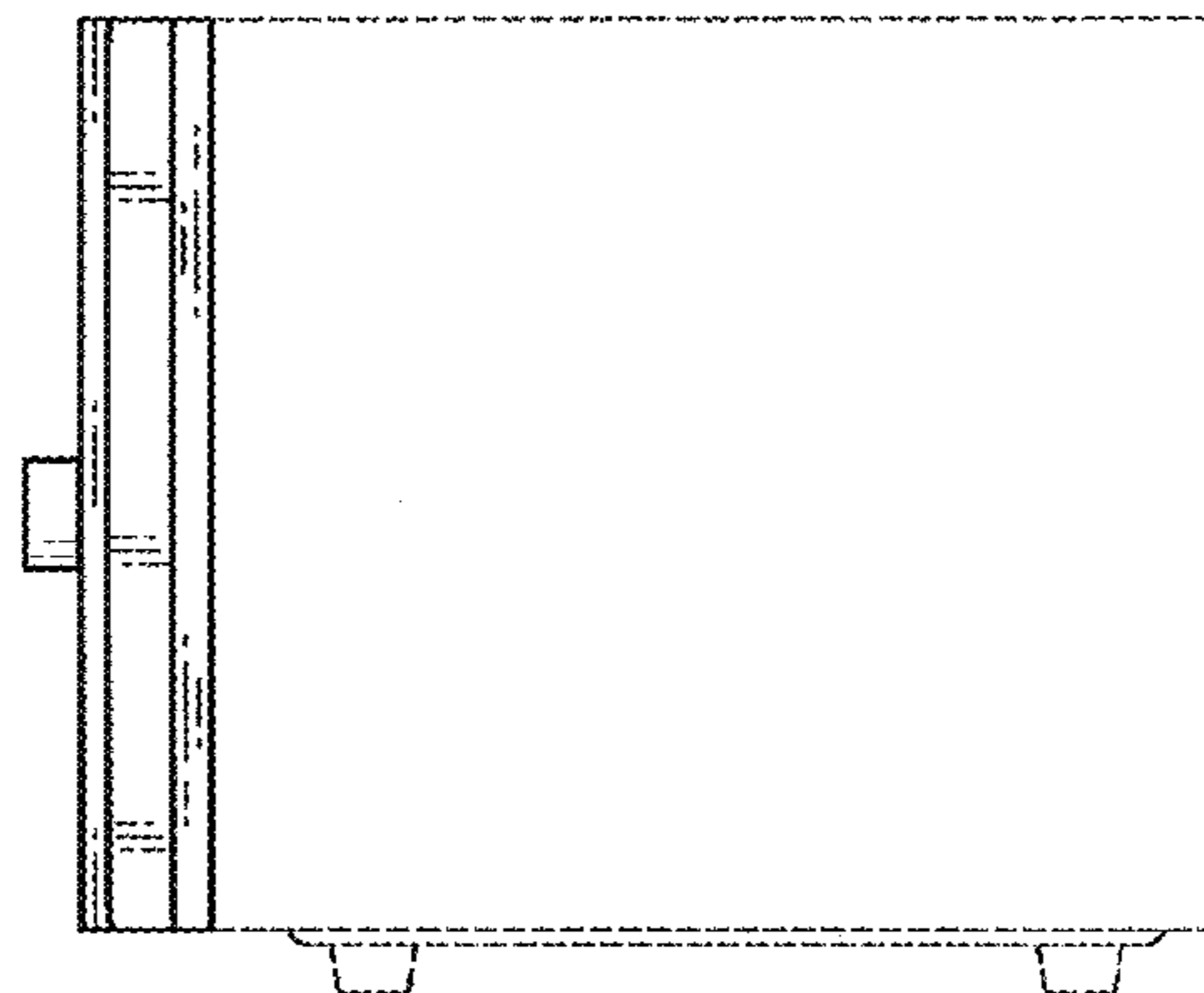


FIG. 13

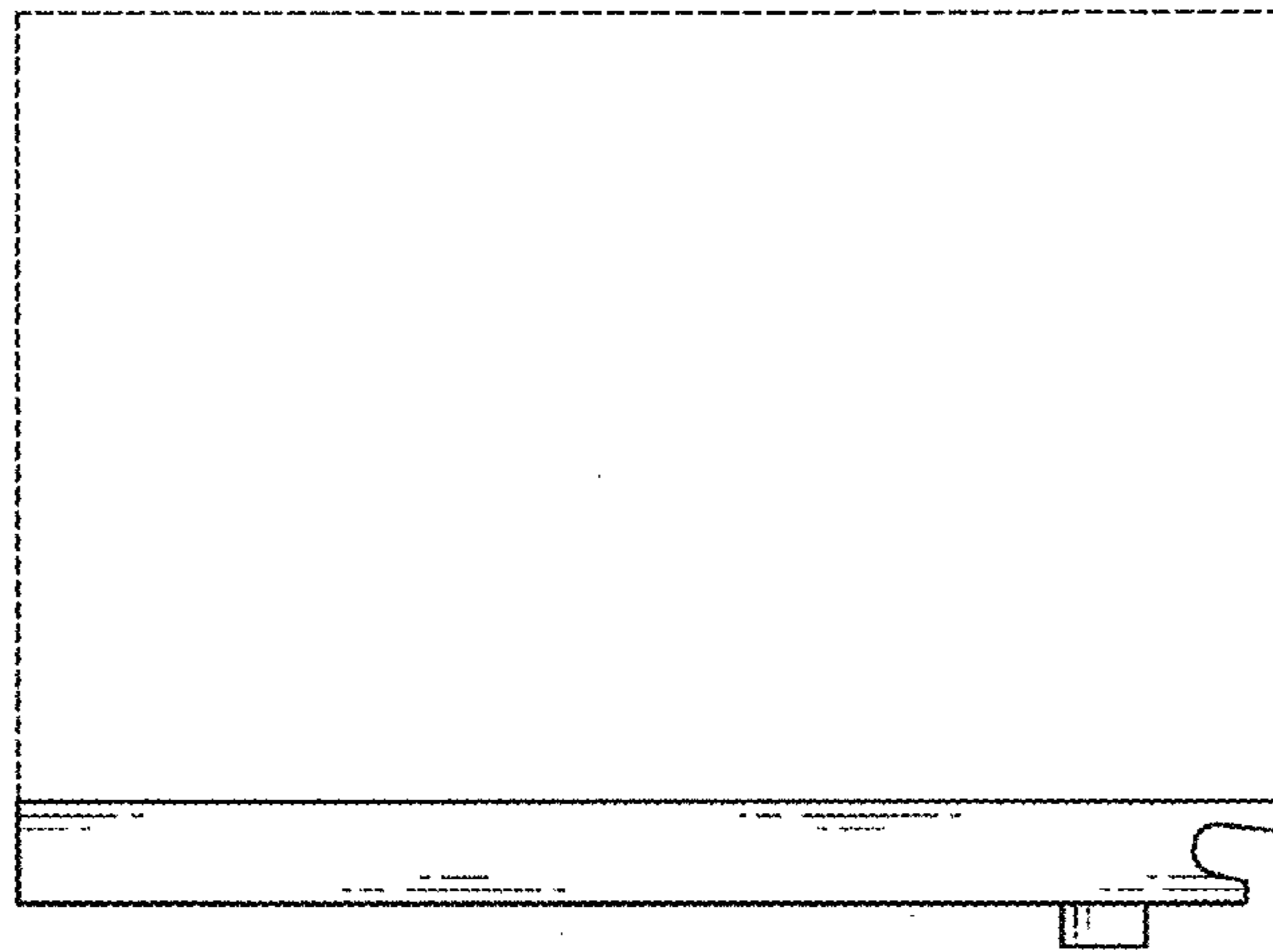


FIG. 14

