



US00D764226S

(12) **United States Design Patent**
Ming

(10) **Patent No.:** **US D764,226 S**

(45) **Date of Patent:** **** Aug. 23, 2016**

- (54) **COVERED FILTER BASKET**
- (71) Applicant: **Chan Sui Ming**, Shenzhen (CN)
- (72) Inventor: **Chan Sui Ming**, Shenzhen (CN)
- (73) Assignee: **Fourstar Group Inc.** (TW)
- (**) Term: **14 Years**
- (21) Appl. No.: **29/510,086**
- (22) Filed: **Nov. 25, 2014**
- (51) **LOC (10) Cl.** **07-99**
- (52) **U.S. Cl.**
USPC **D7/400**
- (58) **Field of Classification Search**
USPC D7/400, 398, 399, 510, 667; D11/154,
D11/152; D3/304, 306; D23/209; 99/279,
99/316, 303, 290, 295, 312; 210/471;
426/433
CPC A47J 31/00; A47J 31/44; A47J 31/057;
A47J 47/00; A47J 47/16; A47J 31/446
See application file for complete search history.

- D707,489 S * 6/2014 Hertaus D7/397
- D715,649 S * 10/2014 O'Brien D9/500
- 8,906,440 B2 * 12/2014 Otto A47J 31/0626
426/433
- D721,536 S * 1/2015 Advani D7/400
- 8,936,819 B2 * 1/2015 Perentes A47J 31/0673
426/425
- D723,868 S * 3/2015 Hertaus D7/399
- D747,139 S * 1/2016 Rondelli D7/400
- 2009/0229470 A1 * 9/2009 Dorfmueller A47J 31/0689
99/295
- 2012/0321769 A1 * 12/2012 Otto A47J 31/0642
426/433
- 2013/0017303 A1 1/2013 Vu
- 2014/0170281 A1 * 6/2014 Zweed B65D 53/02
426/433
- 2015/0157165 A1 * 6/2015 Talon A47J 31/407
206/0.5

* cited by examiner

Primary Examiner — Marianne Pandozzi
(74) *Attorney, Agent, or Firm* — Salter & Michaelson

(57) **CLAIM**
The ornamental design for a covered filter basket, as shown and described.

(56) **References Cited**

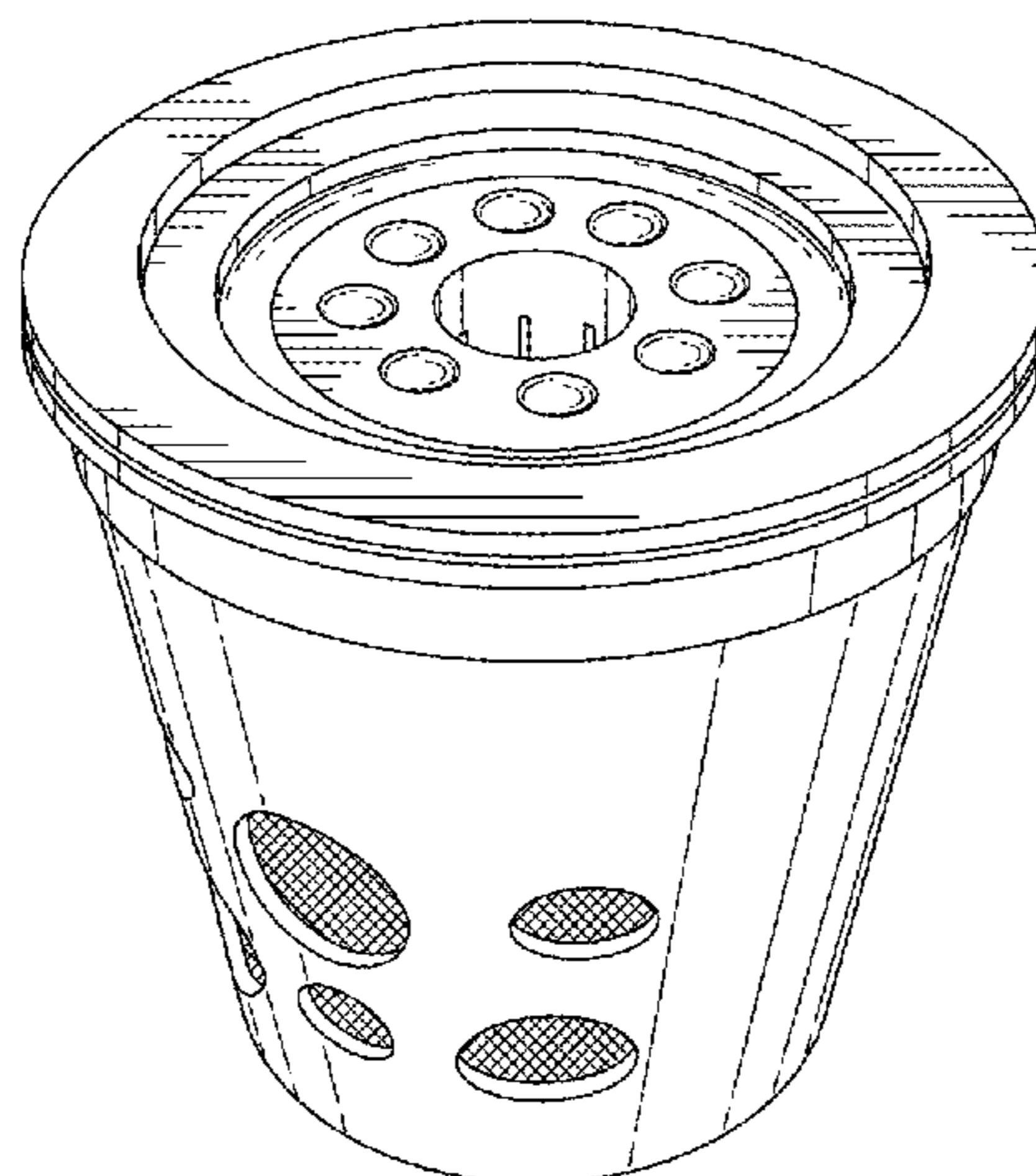
U.S. PATENT DOCUMENTS

- D255,313 S * 6/1980 Elkerbout D7/400
- D256,079 S * 7/1980 Moncrief D7/400
- D289,726 S * 5/1987 Greutert D7/310
- 4,676,396 A * 6/1987 Mamolou B65H 3/02
221/210
- 5,325,765 A 7/1994 Sylvan et al.
- 5,840,189 A 11/1998 Sylvan et al.
- D407,602 S * 4/1999 Patel D7/400
- D446,844 S * 8/2001 Claussen D23/261
- D567,021 S 4/2008 Bach et al.
- D677,120 S 3/2013 DeMiglio et al.
- D688,095 S 8/2013 DeMiglio et al.
- D691,418 S * 10/2013 Minton D7/399
- 8,561,524 B2 * 10/2013 DeMiglio A47J 31/0689
210/232
- D694,579 S 12/2013 Khubani

DESCRIPTION

FIG. 1 is a top perspective view of a covered filter basket showing my new design;
FIG. 2 is a bottom perspective thereof;
FIG. 3 is a front elevational view thereof;
FIG. 4 is a rear elevational view thereof;
FIG. 5 is a left side elevational view thereof;
FIG. 6 is a right side elevational view thereof;
FIG. 7 is a top plan view thereof;
FIG. 8 is a bottom plan view thereof;
FIG. 9 is an exploded top perspective view thereof; and,
FIG. 10 is a bottom perspective view of the cover portion of the covered filter basket with the filter basket removed for ease of illustration.

1 Claim, 7 Drawing Sheets



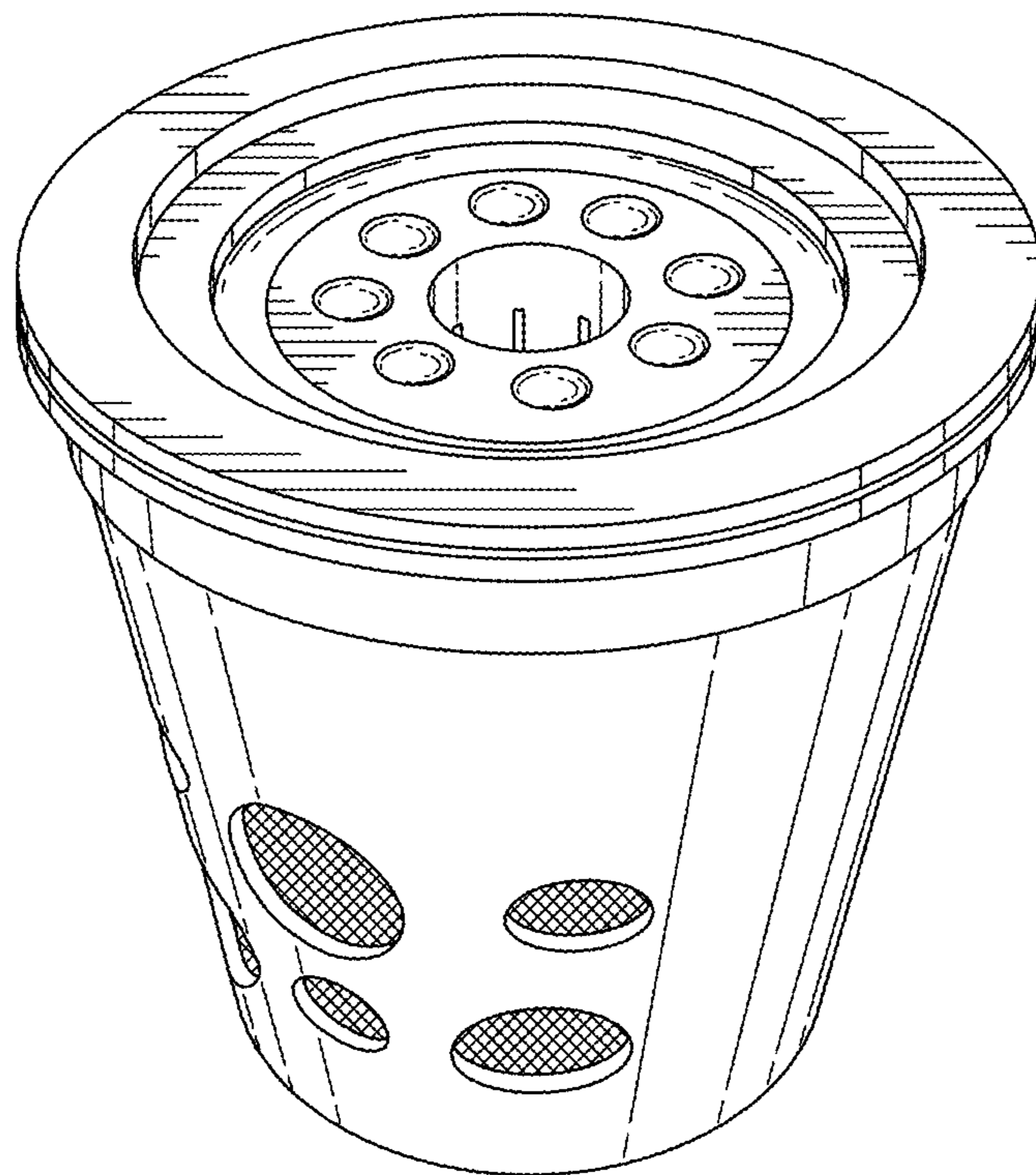


FIG. 1

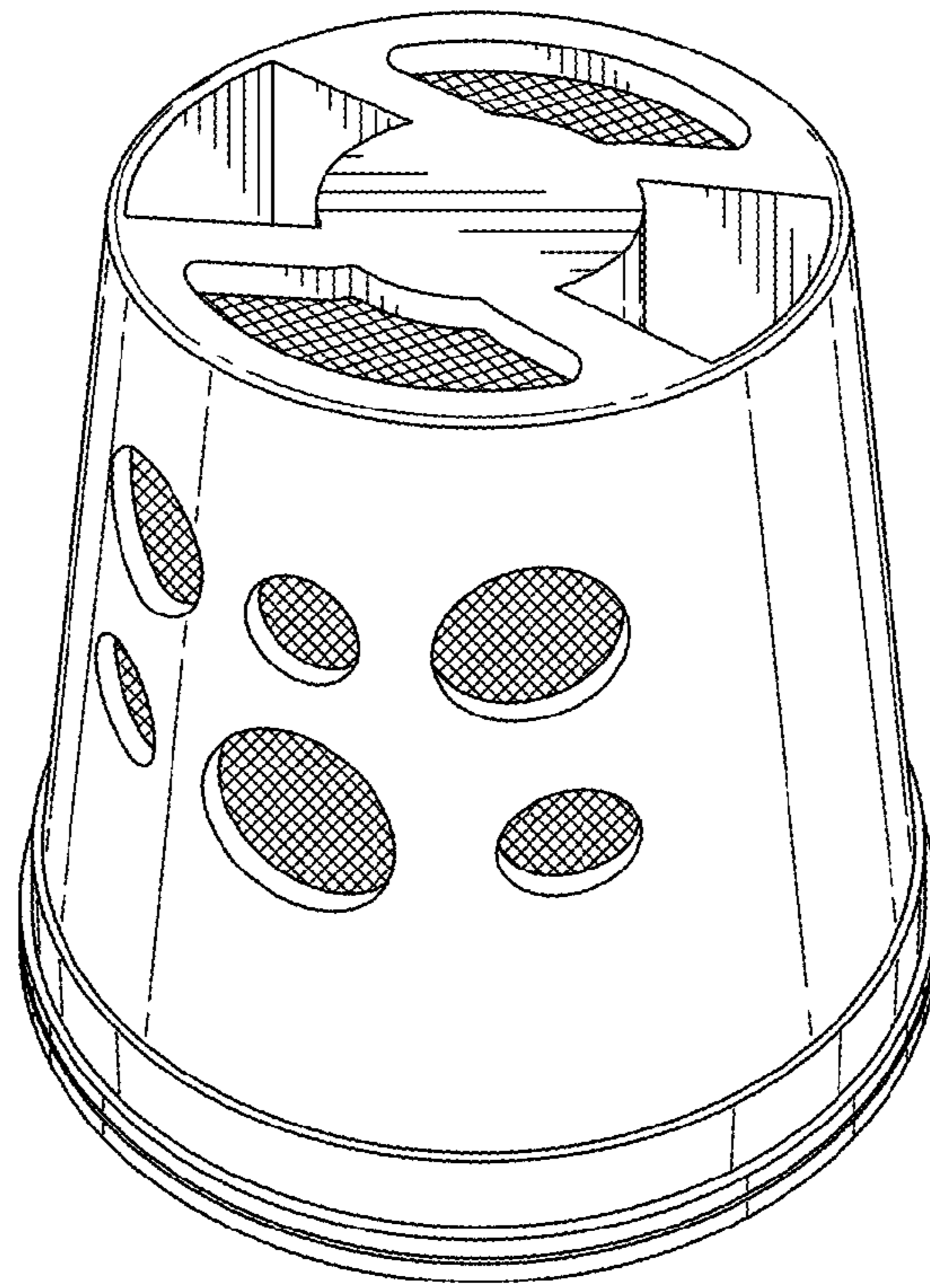


FIG. 2

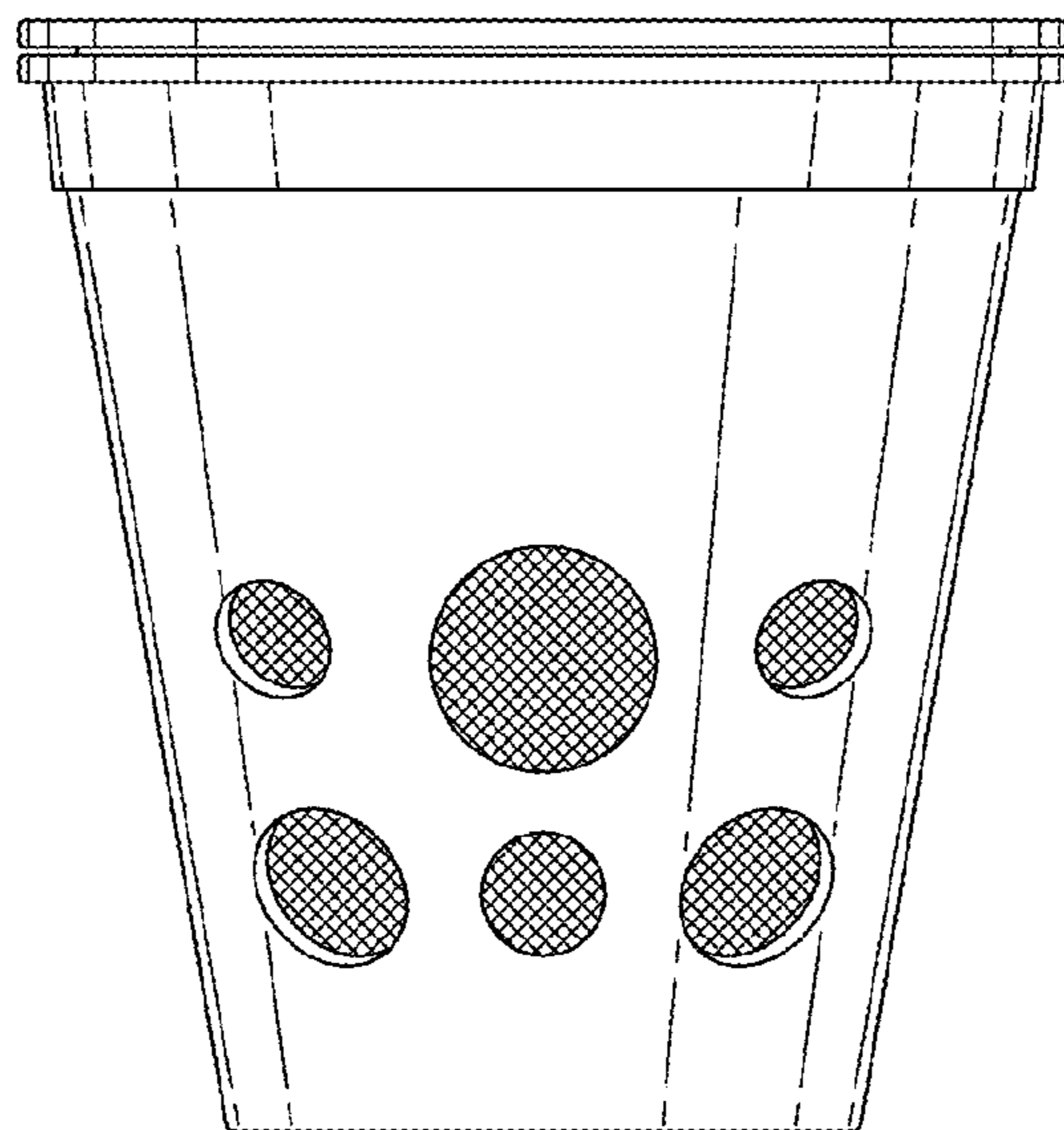


FIG. 3

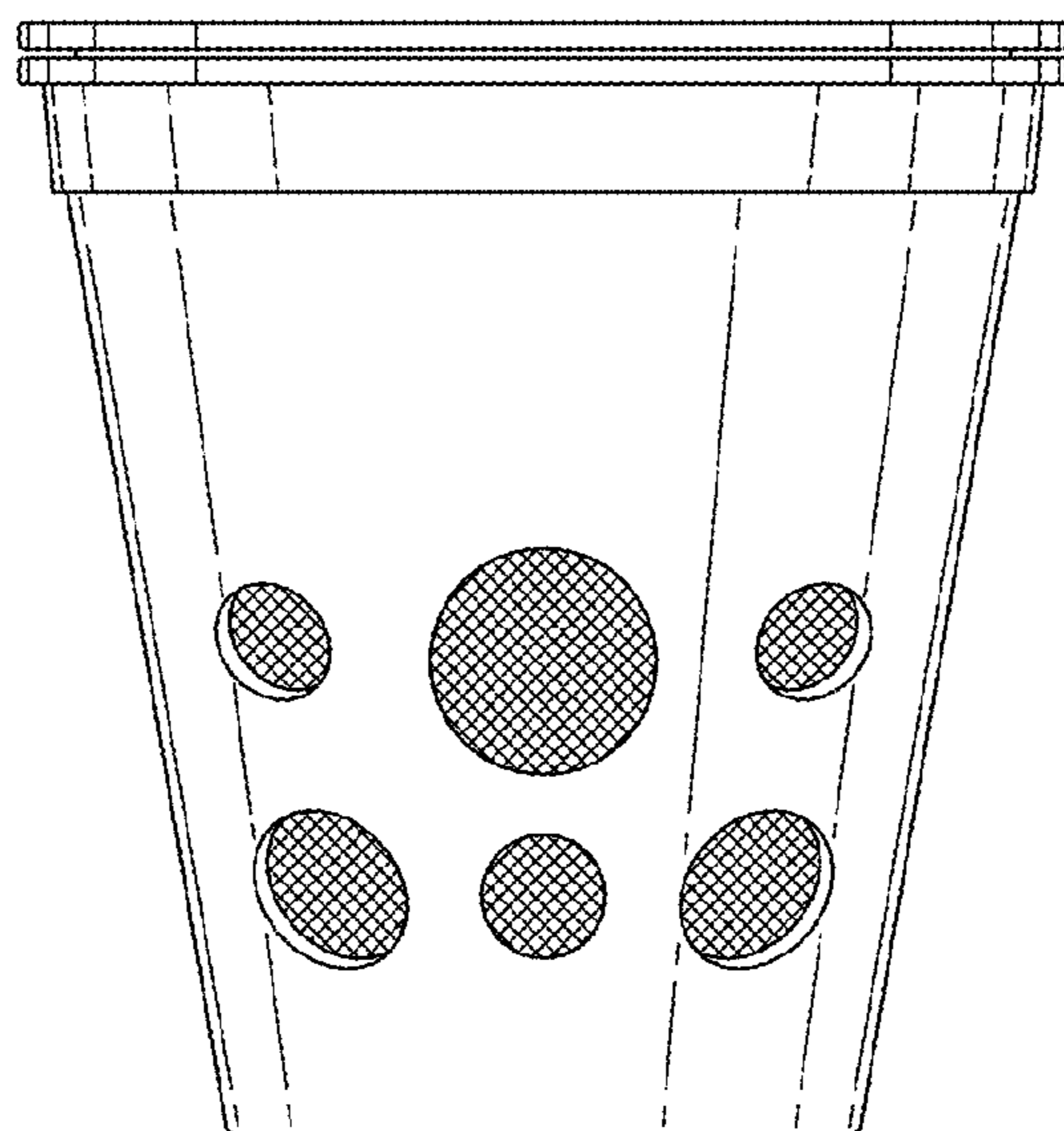


FIG. 4

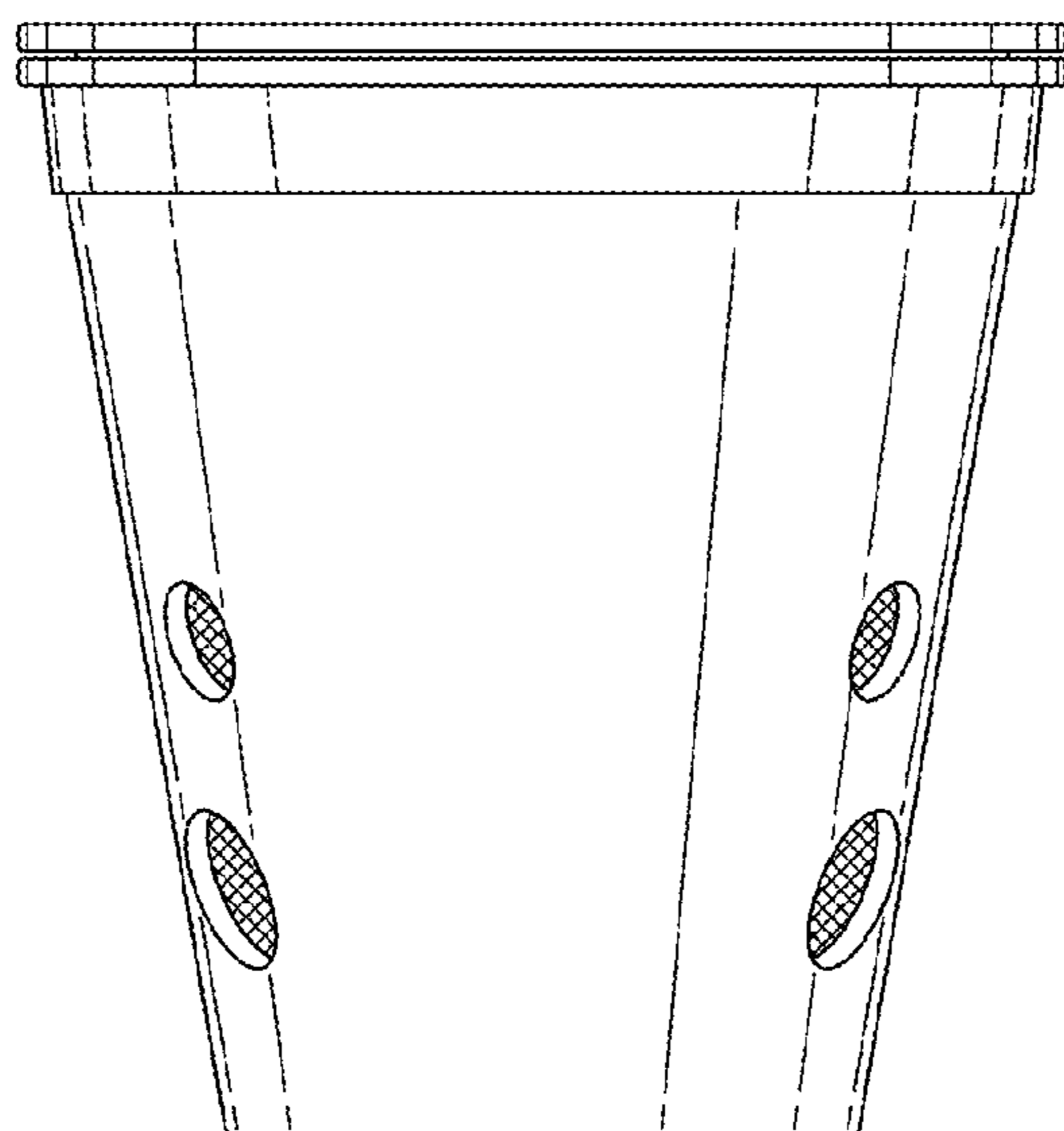


FIG. 5

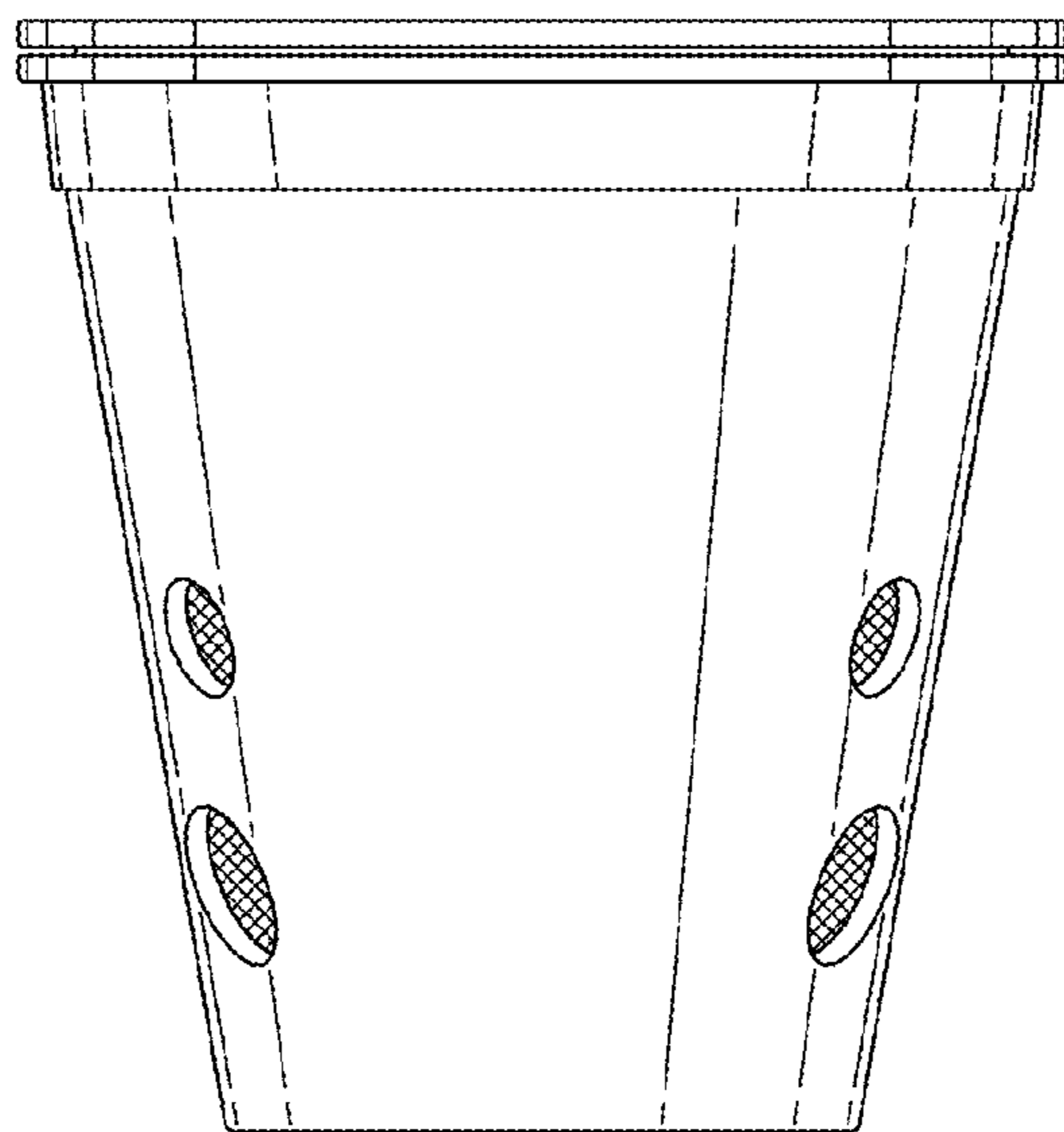


FIG. 6

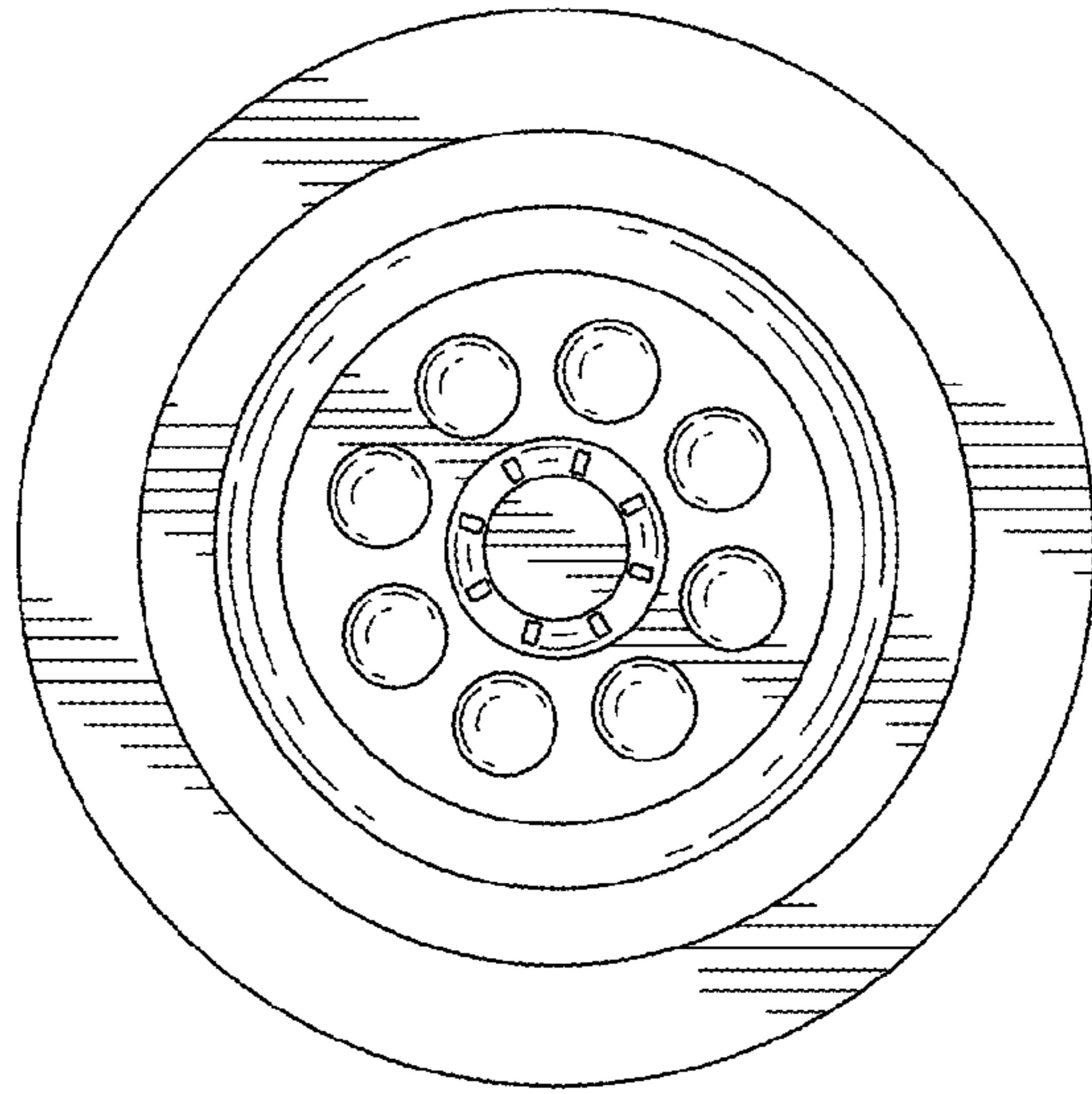


FIG. 7

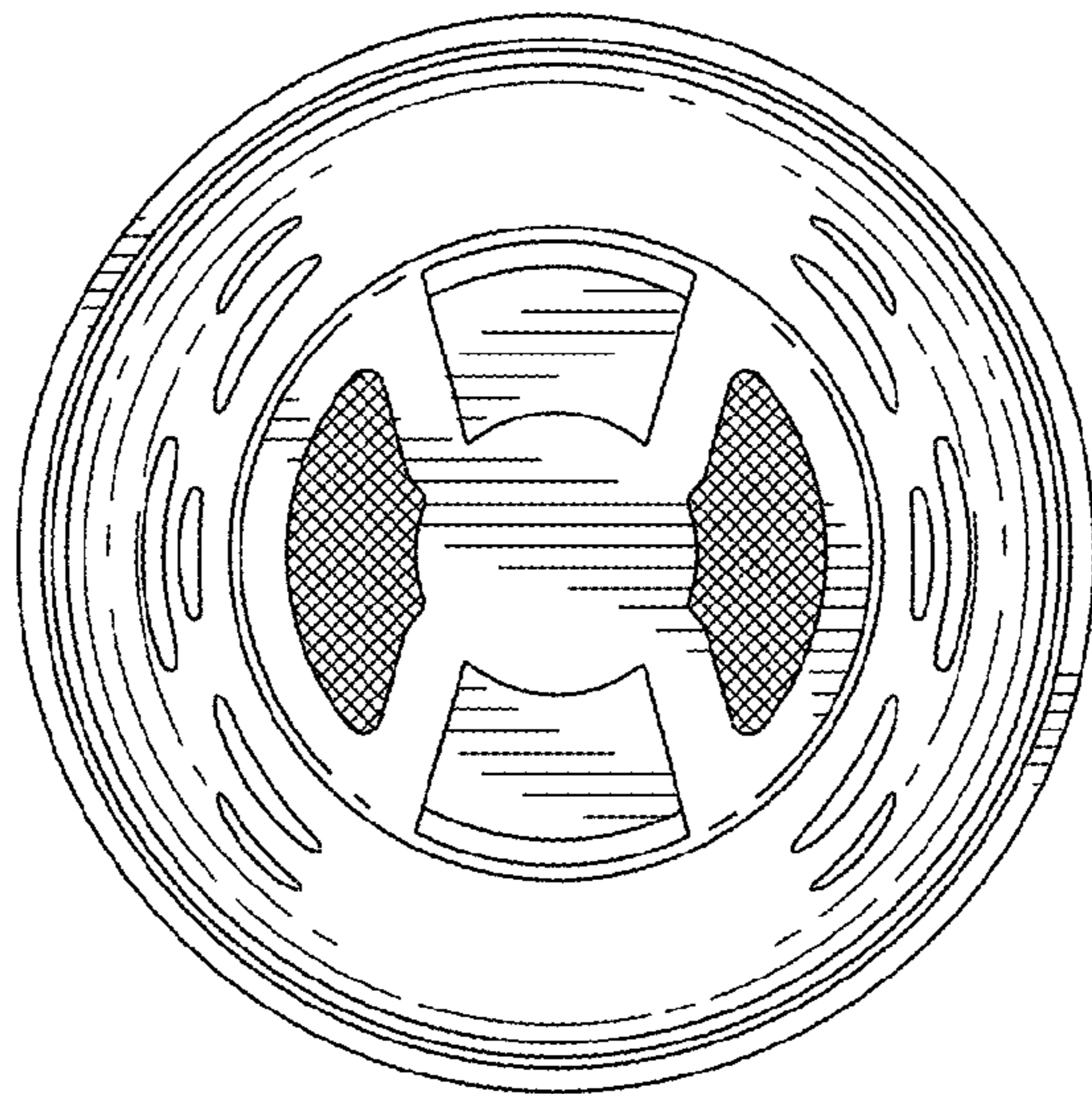


FIG. 8

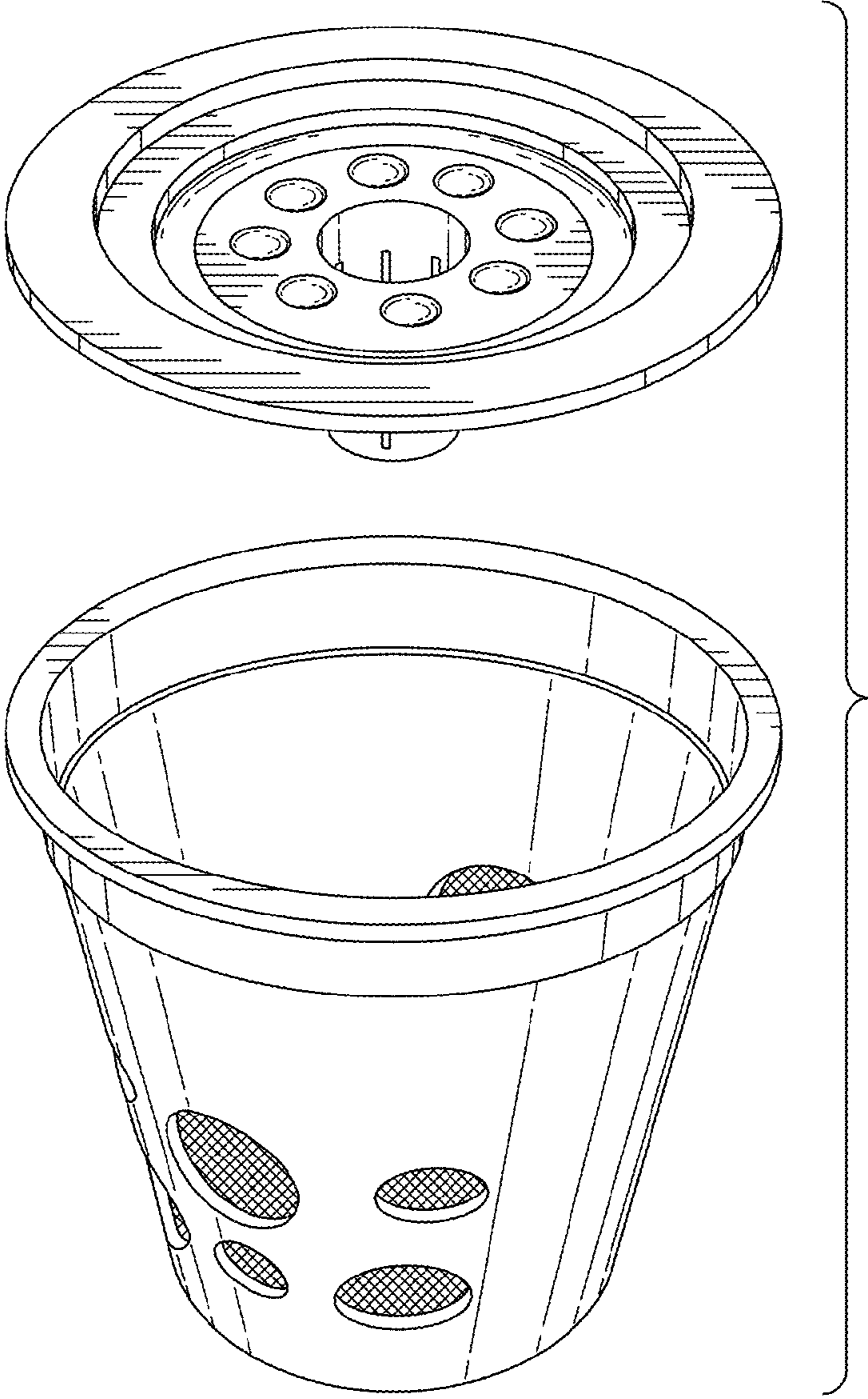


FIG. 9

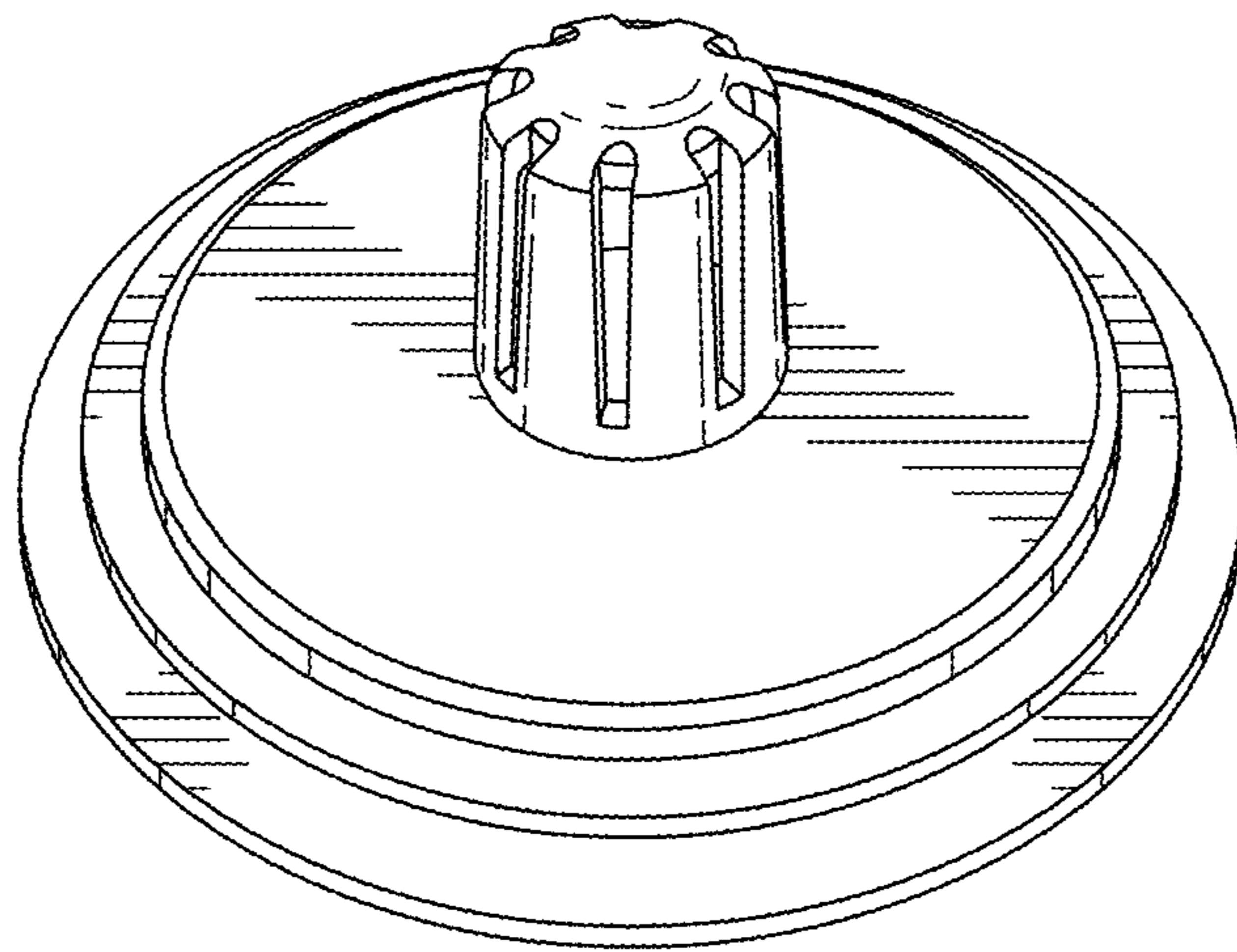


FIG. 10