

US00D764224S

(12) **United States Design Patent**
Williams

(10) **Patent No.:** **US D764,224 S**
(45) **Date of Patent:** **** Aug. 23, 2016**

(54) **UTENSIL FOR HOLDING AN OBJECT IN A LIQUID BATH**

6,543,630 B2 4/2003 Hope
6,854,609 B1 2/2005 Hettinger
8,240,488 B2* 8/2012 Huang B05B 13/0292
211/107

(71) Applicant: **Myron Williams**, Douglasville, GA (US)

2006/0243685 A1 11/2006 Monroig
2008/0173600 A1 7/2008 Mungal
2010/0181458 A1 7/2010 Liu

(72) Inventor: **Myron Williams**, Douglasville, GA (US)

2010/0327130 A1* 12/2010 Huang B05B 13/0292
248/157
2014/0014603 A1* 1/2014 Thompson A47F 5/02
211/78

(**) Term: **14 Years**

(21) Appl. No.: **29/510,032**

(22) Filed: **Nov. 24, 2014**

OTHER PUBLICATIONS

Non-Final Office Action dated Oct. 22, 2015, issued in U.S. Appl. No. 14/657,027 (13 pages).

Related U.S. Application Data

(63) Continuation-in-part of application No. 29/487,562, filed on Apr. 10, 2014, now Pat. No. Des. 751,856.

(51) **LOC (10) CL.** **07-06**

(52) **U.S. Cl.**
USPC **D7/368**

(58) **Field of Classification Search**
USPC D7/368, 669, 199
CPC A23L 3/36; A23L 3/365; F16M 11/32;
F16M 13/00; A47F 7/00; A47B 55/00;
A47B 81/02; A47B 81/04
See application file for complete search history.

* cited by examiner

Primary Examiner — Terry Wallace

(74) *Attorney, Agent, or Firm* — Westerman, Hattori, Daniels & Adrian, LLP

(56) **References Cited**

U.S. PATENT DOCUMENTS

3,310,180 A 3/1967 Neagle
3,827,571 A 8/1974 Koutny
5,248,047 A 9/1993 Randhawa
5,862,924 A 1/1999 Dumont
6,216,887 B1 4/2001 Soo
6,299,003 B1 10/2001 Osorio
6,330,948 B1 12/2001 Leto
6,364,130 B2 4/2002 Wright
6,386,379 B1 5/2002 Battaglia

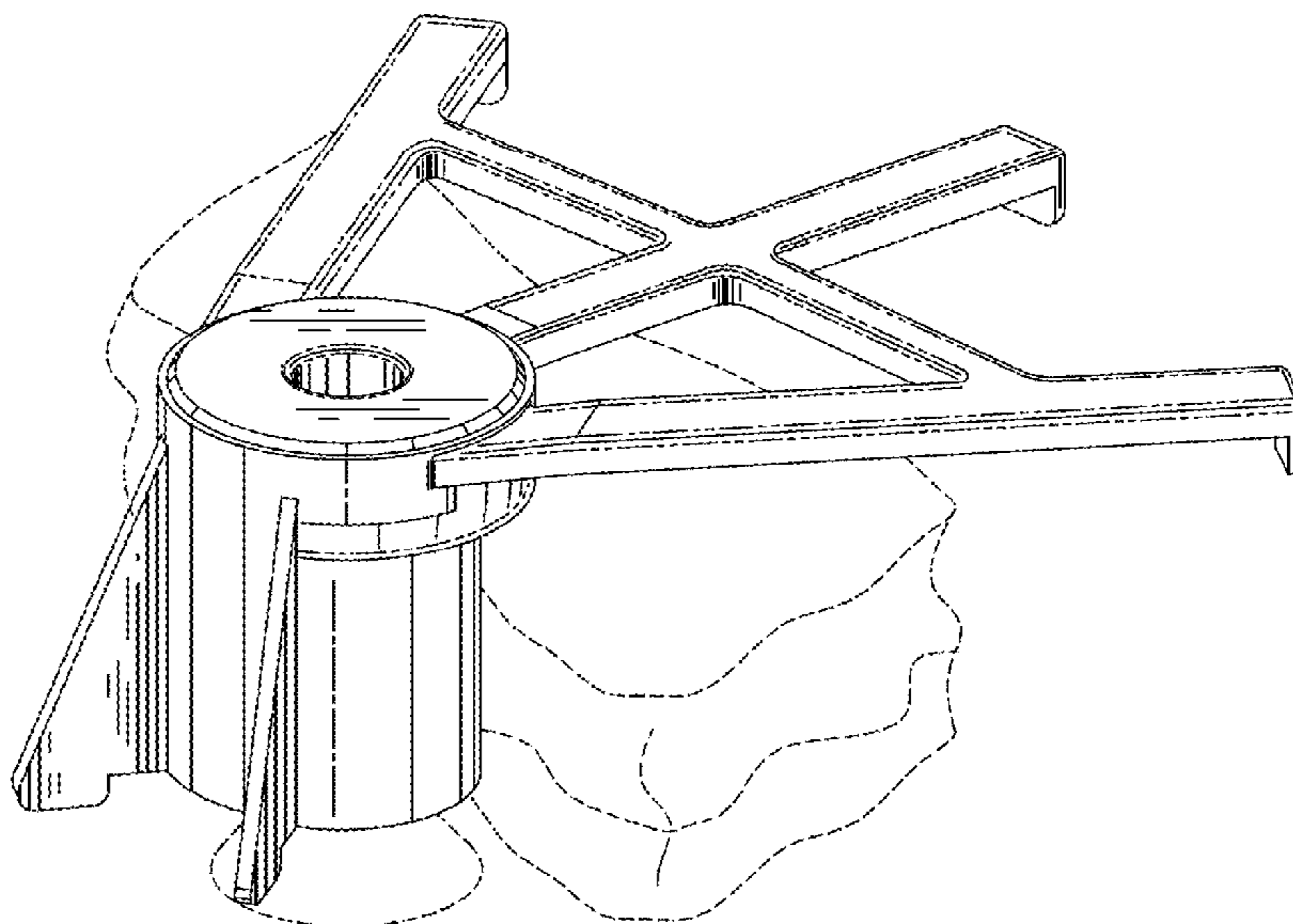
(57) **CLAIM**

The ornamental design for a utensil for holding an object in a liquid bath, as shown and described.

DESCRIPTION

FIG. 1 is an isometric view of a utensil for holding an object in a liquid bath showing my new design. FIG. 2 is a rear elevational view thereof. FIG. 3 is a top plan view thereof. FIG. 4 is a left side elevational view thereof, the right side elevational view being a mirror image thereof. FIG. 5 is a front elevational view thereof; and, FIG. 6 is a bottom plan view thereof. The broken lines showing an object and a suction cup are for illustrative purposes only and form no part of the claimed design.

1 Claim, 3 Drawing Sheets



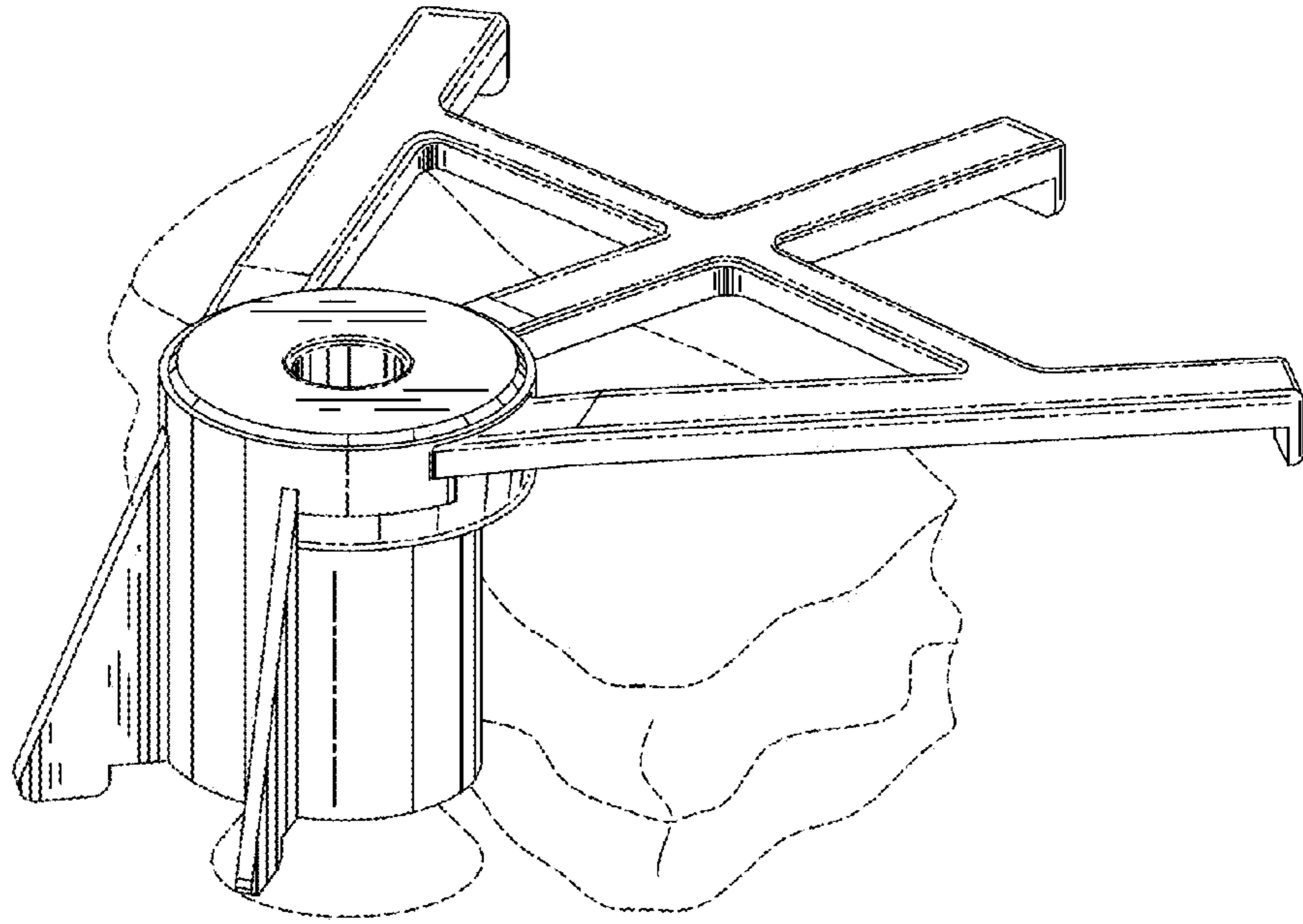


FIG. 1

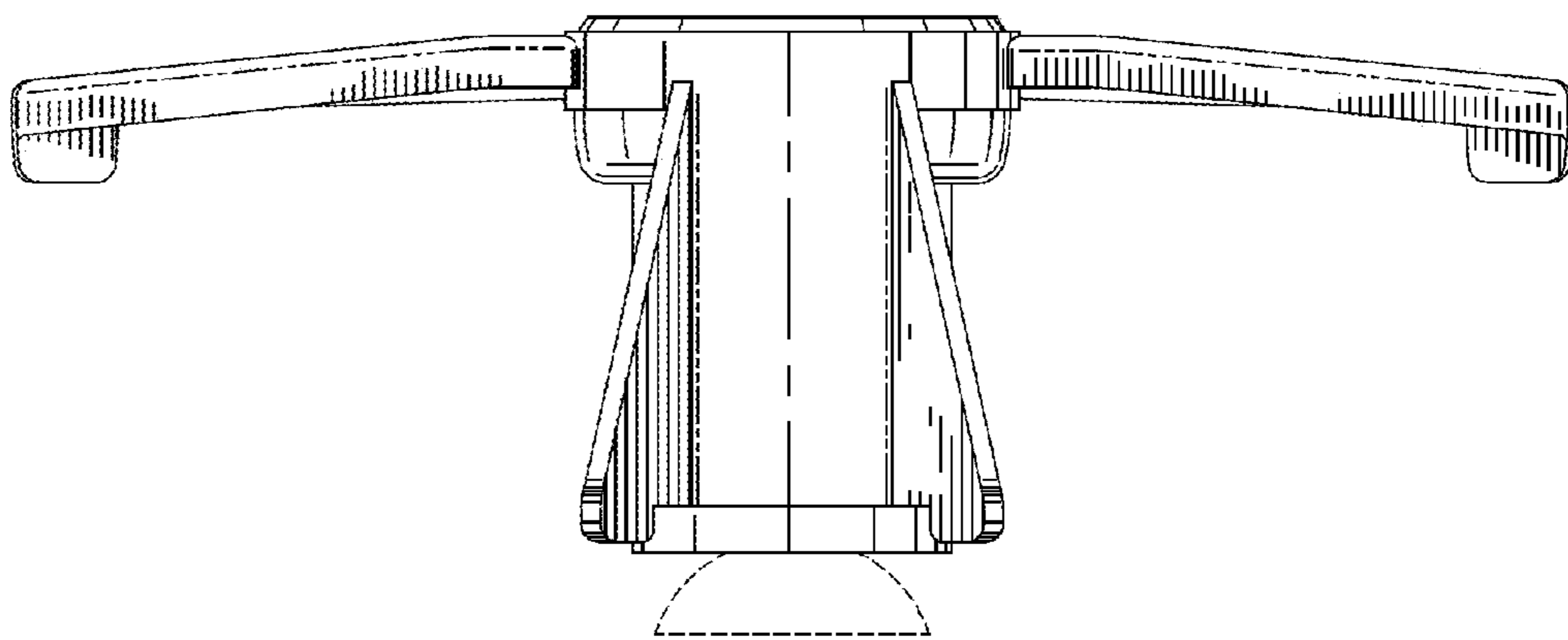


FIG. 2

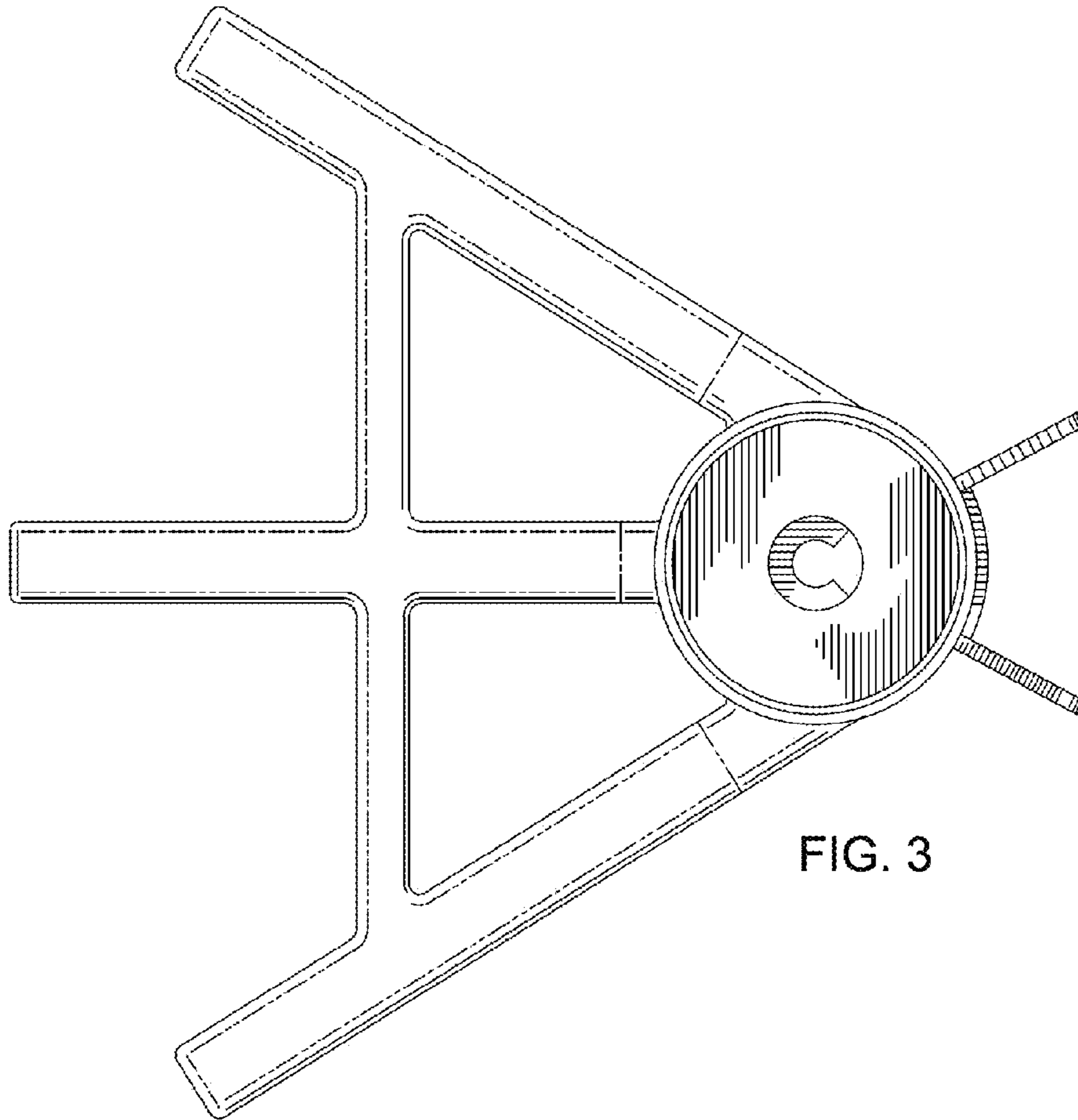


FIG. 3

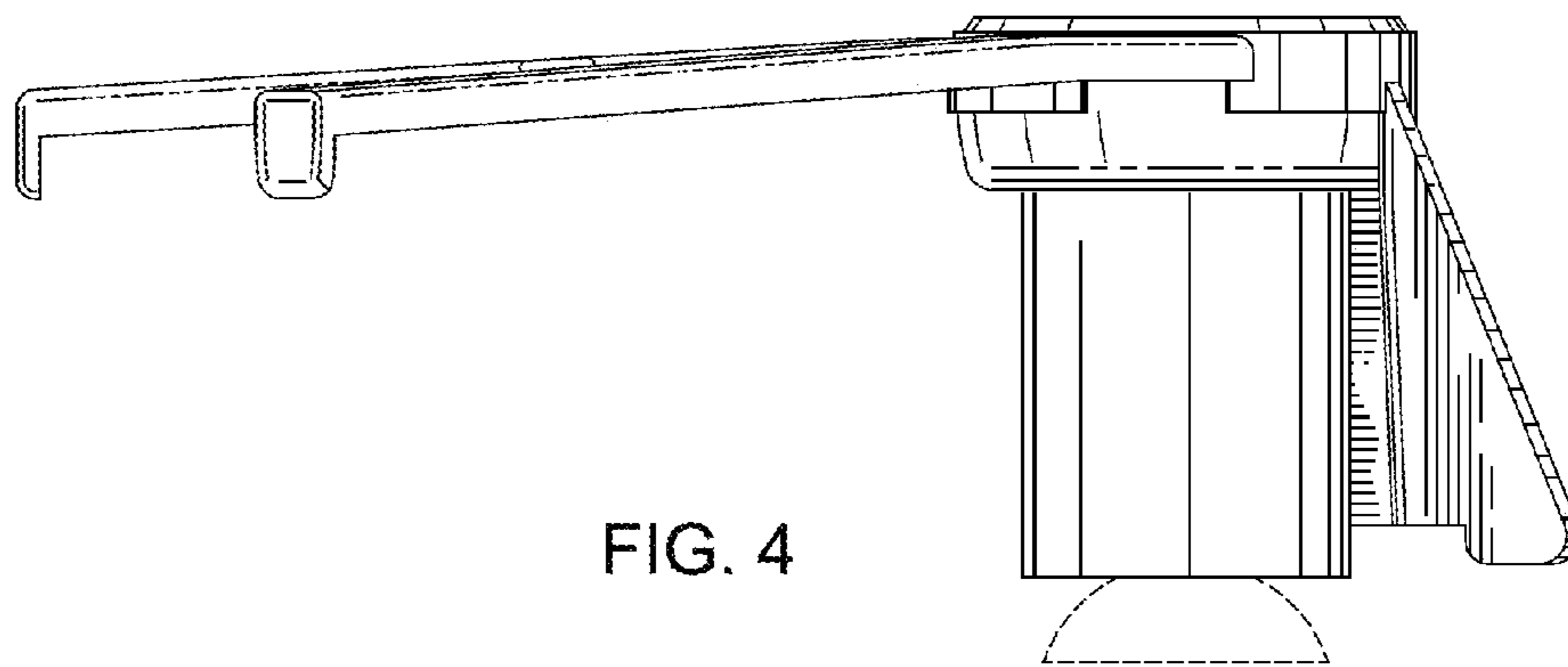


FIG. 4

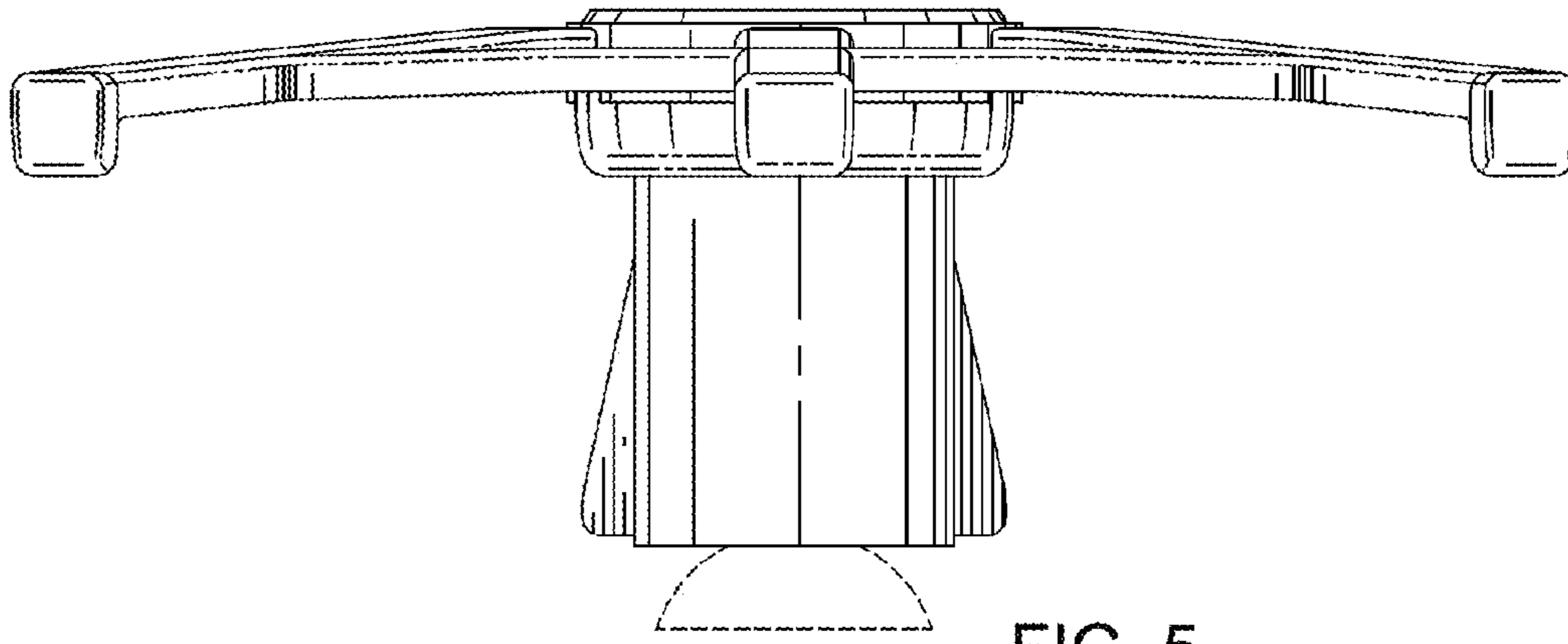


FIG. 5

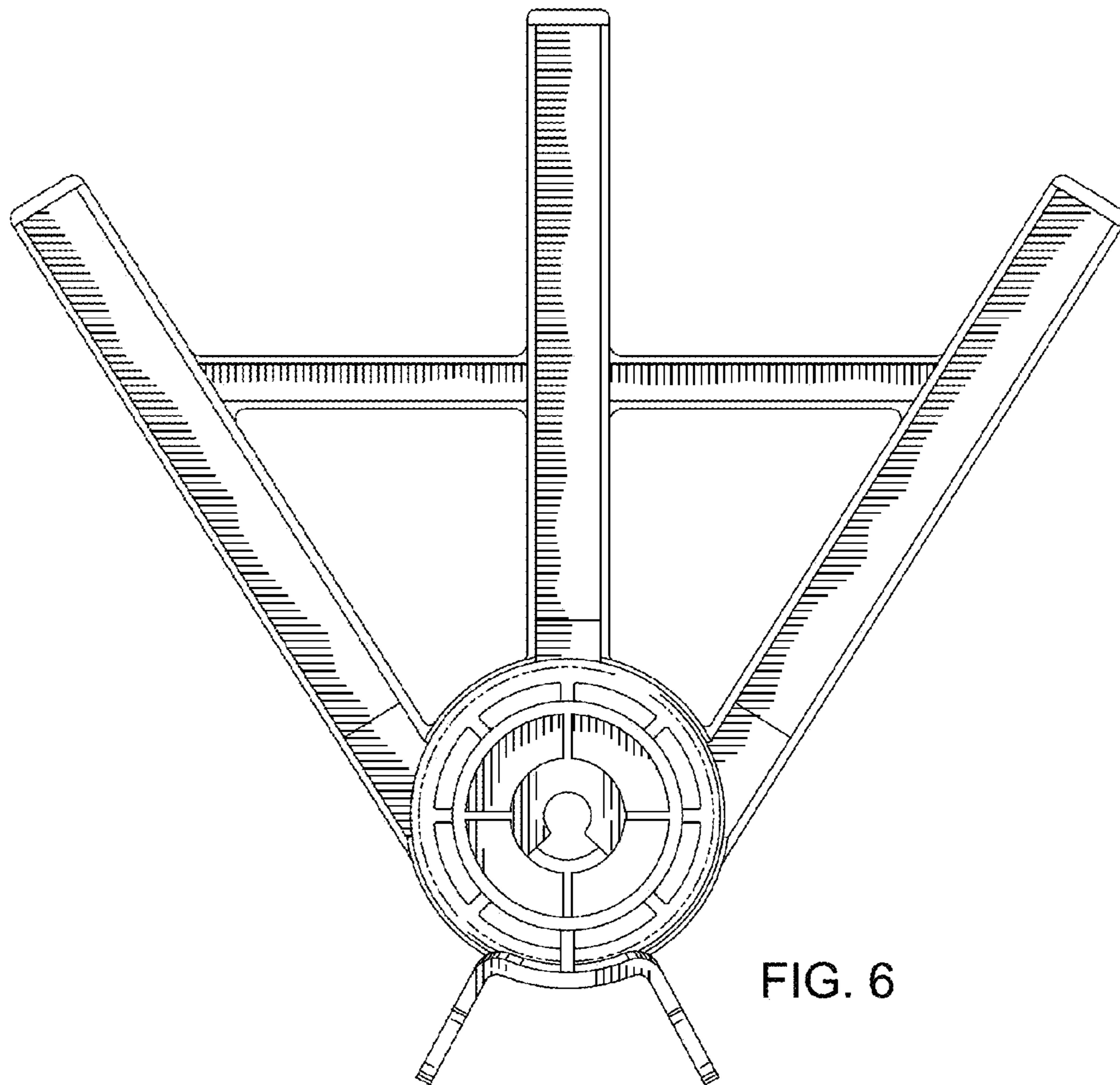


FIG. 6