



US00D764223S

(12) **United States Design Patent**
Lee

(10) **Patent No.:** **US D764,223 S**
(45) **Date of Patent:** **** Aug. 23, 2016**

(54) **INFRARED HEATING COOKER**

(71) Applicant: **Jin Hee Lee**, Seoul (KR)

(72) Inventor: **Jin Hee Lee**, Seoul (KR)

(**) Term: **14 Years**

(21) Appl. No.: **29/526,237**

(22) Filed: **May 7, 2015**

(30) **Foreign Application Priority Data**

Jan. 15, 2015 (KR) 30-2015-0001966

(51) **LOC (10) Cl.** **07-02**

(52) **U.S. Cl.**
USPC **D7/362; D7/352**

(58) **Field of Classification Search**
USPC D7/323, 337, 339, 341, 352, 354-359,
D7/362-367, 409-411
CPC A21B 1/06; A21B 1/50; A21B 1/52;
A47J 37/04; A47J 37/06; A47J 37/015;
A47J 37/067; A47J 37/0611; A47J 37/0629;
A47J 37/0676; A47J 37/108; F24C 7/06;
F24C 7/083; F24C 15/02; F24C 15/166;
H05B 3/20; H05B 3/40

See application file for complete search history.

(56) **References Cited**

U.S. PATENT DOCUMENTS

D379,051 S * 5/1997 Jacquemin D7/352
D439,792 S * 4/2001 Hedrington D7/323
D458,078 S * 6/2002 Lin D7/362
D653,904 S * 2/2012 Lee D7/362

D684,808 S * 6/2013 Mehler D7/354
D688,086 S * 8/2013 Lee D7/362
D688,087 S * 8/2013 Lee D7/362
D688,088 S * 8/2013 Lee D7/362
D688,089 S * 8/2013 Lee D7/362
D688,090 S * 8/2013 Lee D7/362
D695,059 S * 12/2013 Mehler D7/354
D749,906 S * 2/2016 Lee D7/362
2009/0095168 A1 * 4/2009 Shu A47J 37/108
99/425

* cited by examiner

Primary Examiner — Ricky Pham

(74) *Attorney, Agent, or Firm* — Kile Park Reed & Houtteman PLLC

(57) **CLAIM**

I claim, the ornamental design for an infrared heating cooker, as shown and described.

DESCRIPTION

FIG. 1 is a top and front perspective view of an infrared heating cooker, showing my new design;
FIG. 2 is a front view thereof;
FIG. 3 is a rear view thereof;
FIG. 4 is a left side view thereof;
FIG. 5 is a right side view thereof;
FIG. 6 is a top plan view thereof;
FIG. 7 is a bottom plan view thereof; and,
FIG. 8 is a reference perspective view showing how upper and lower cooking pans of the infrared heating cooker are assembled with and disassembled from each other in the arrow direction.

The broken lines shown in the figures are for illustrative purposes only and form no part of the claimed design.

1 Claim, 8 Drawing Sheets

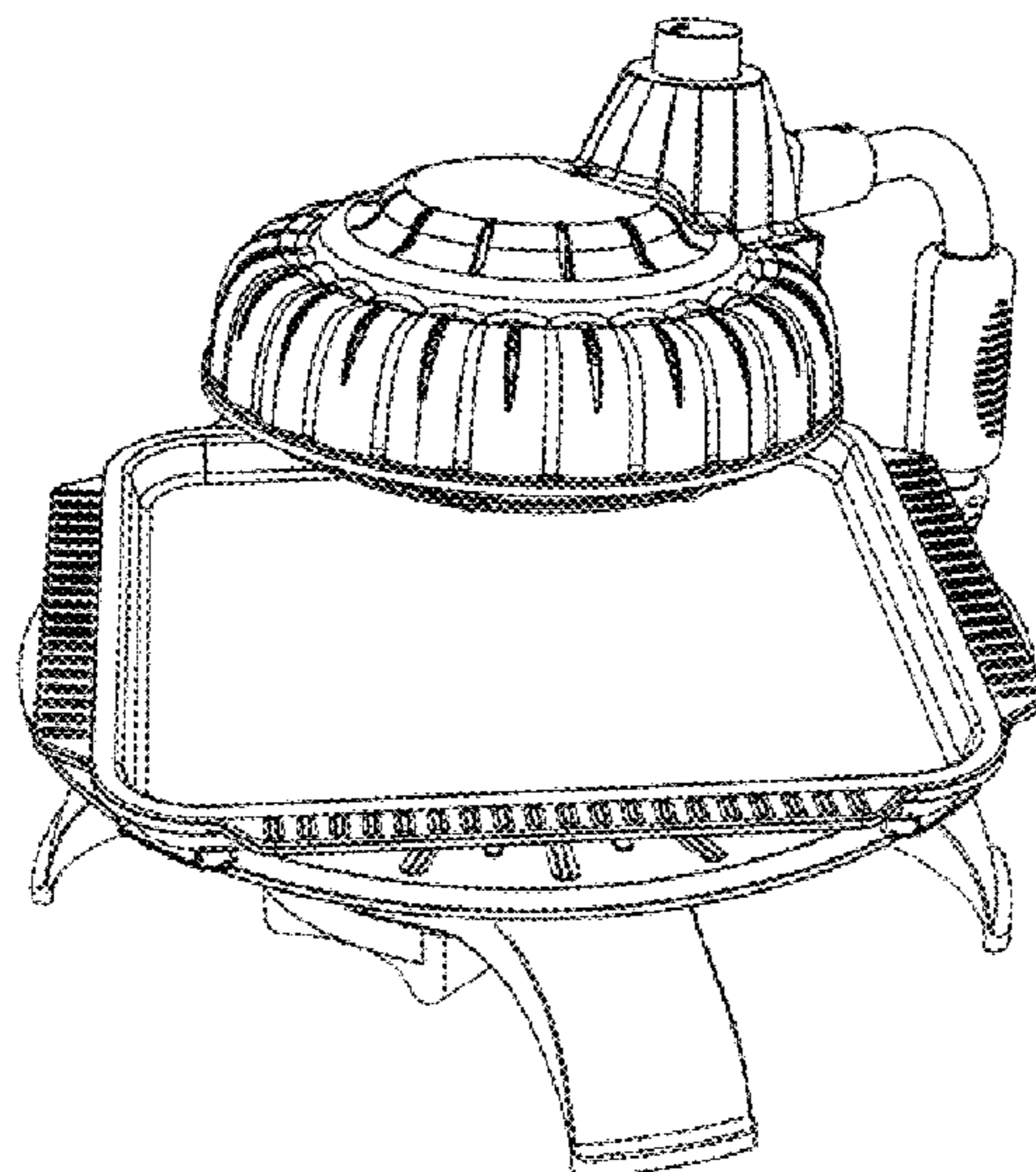


FIG. 1

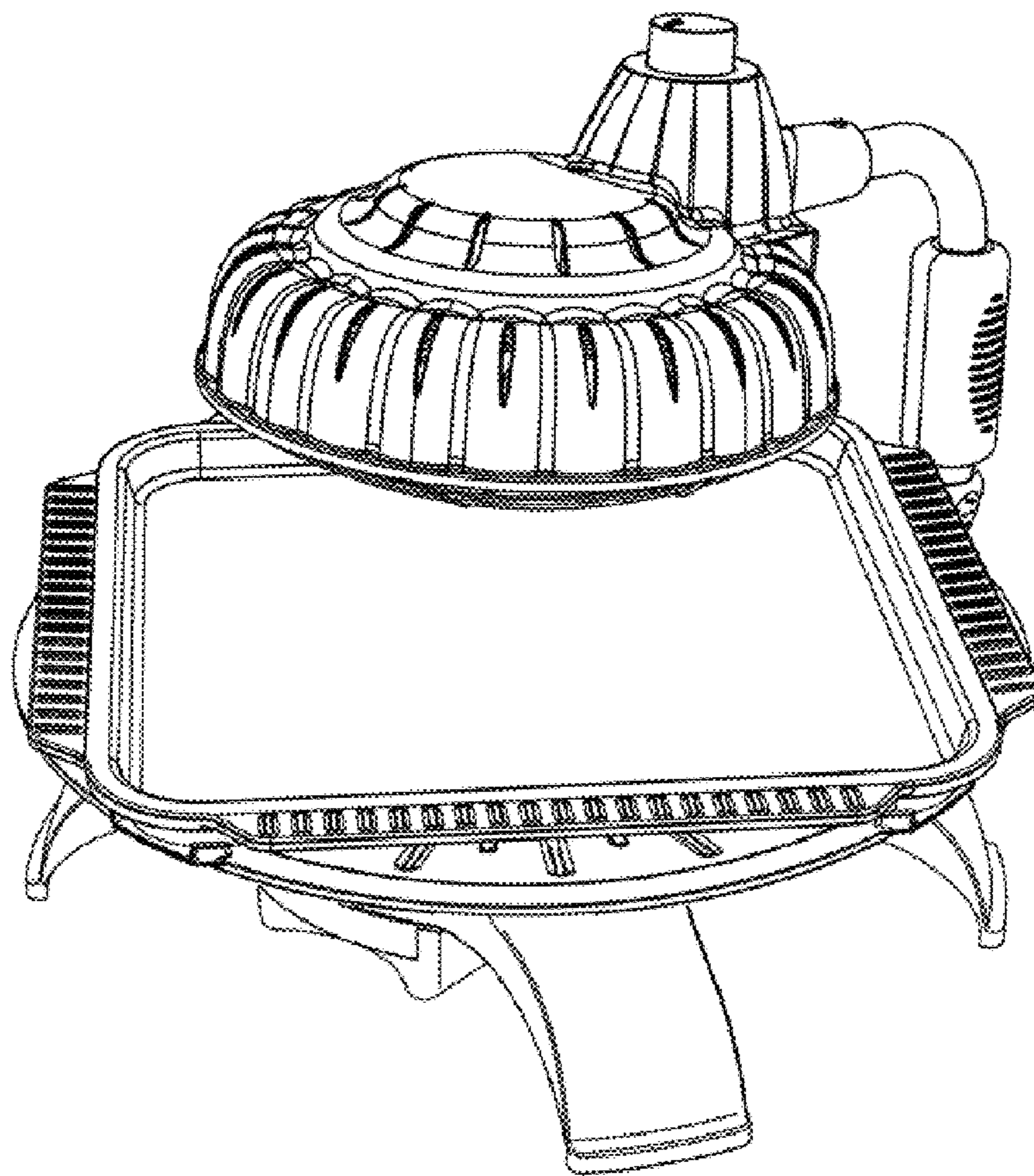


FIG. 2

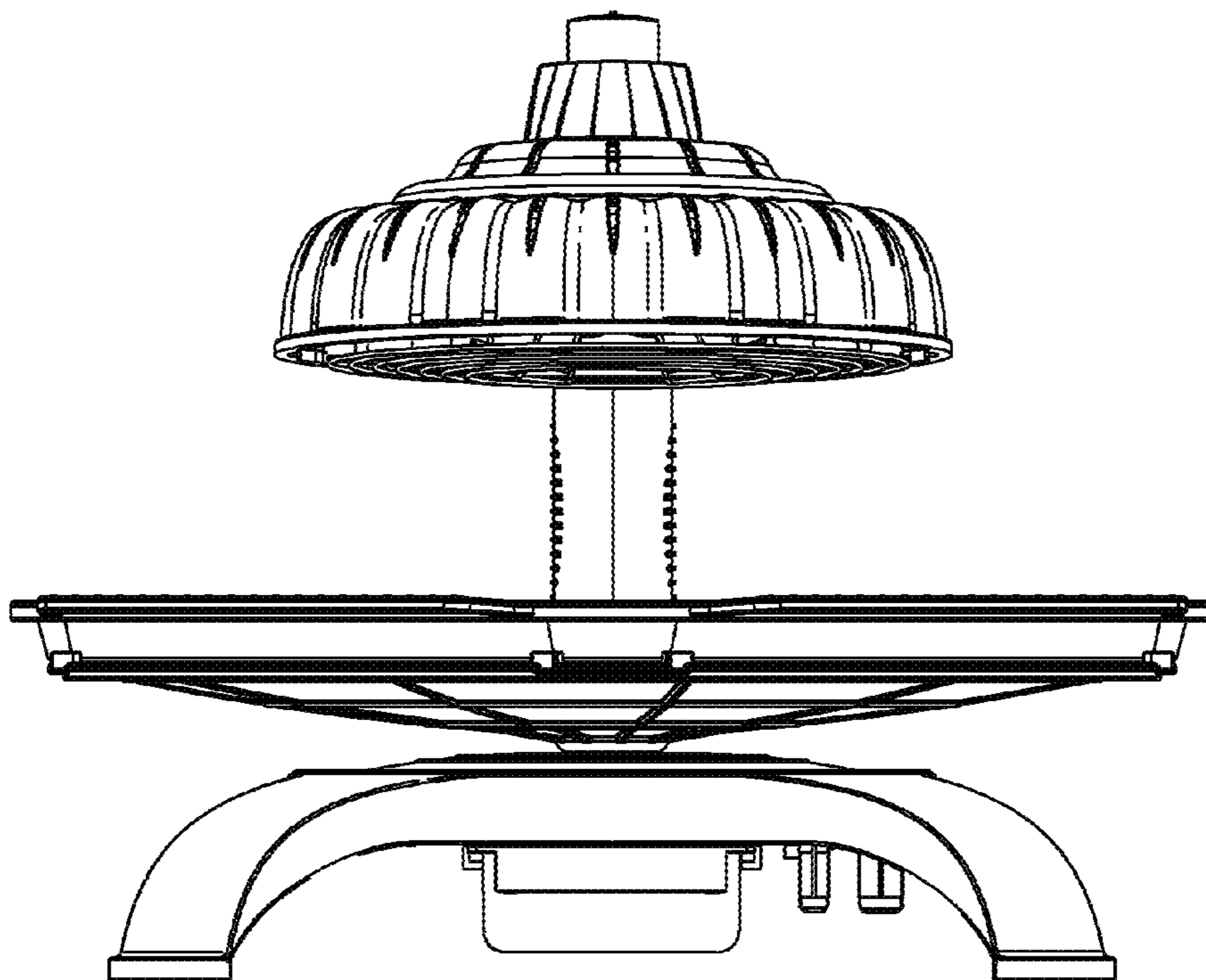


FIG. 3

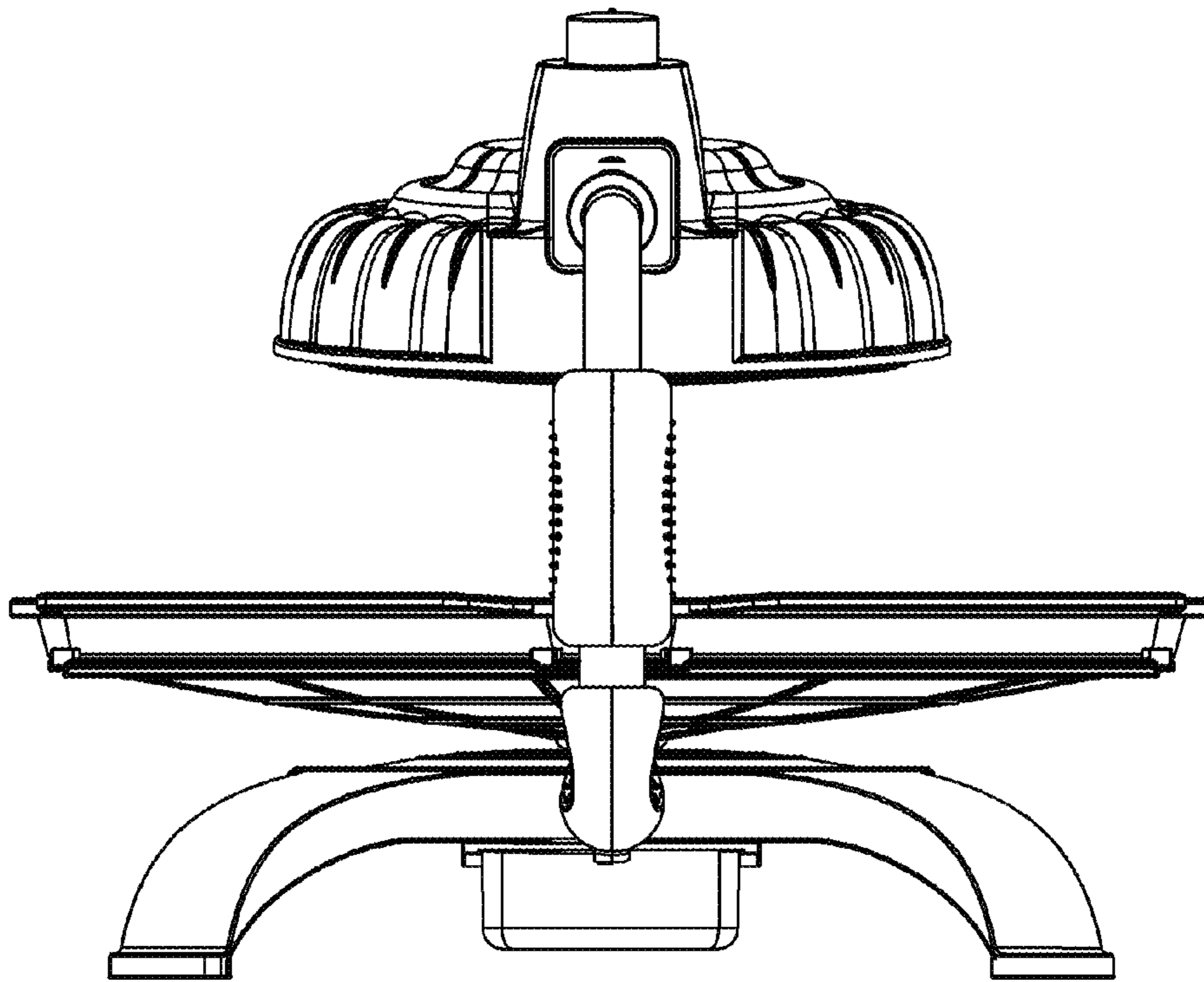


FIG. 4

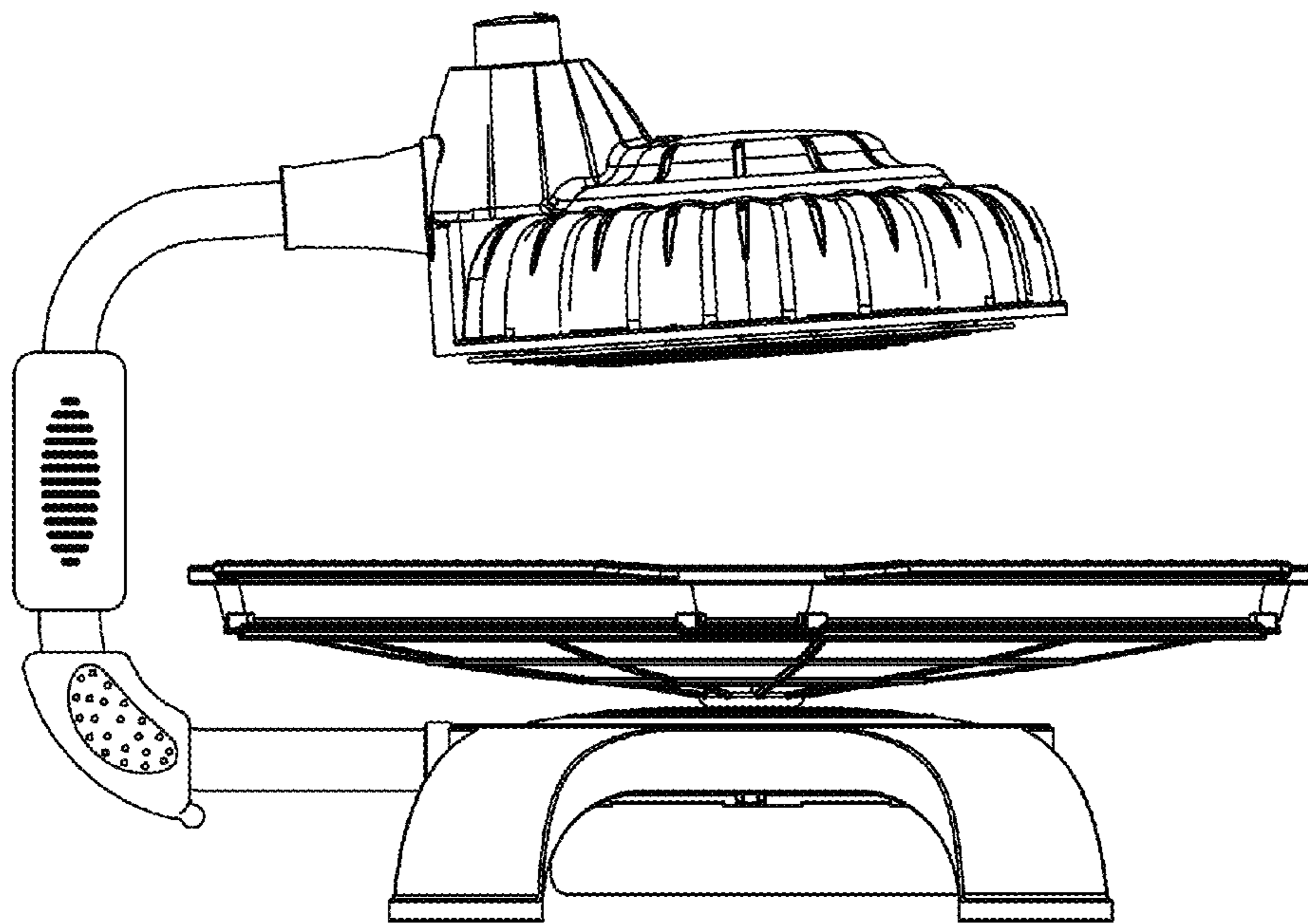


FIG. 5

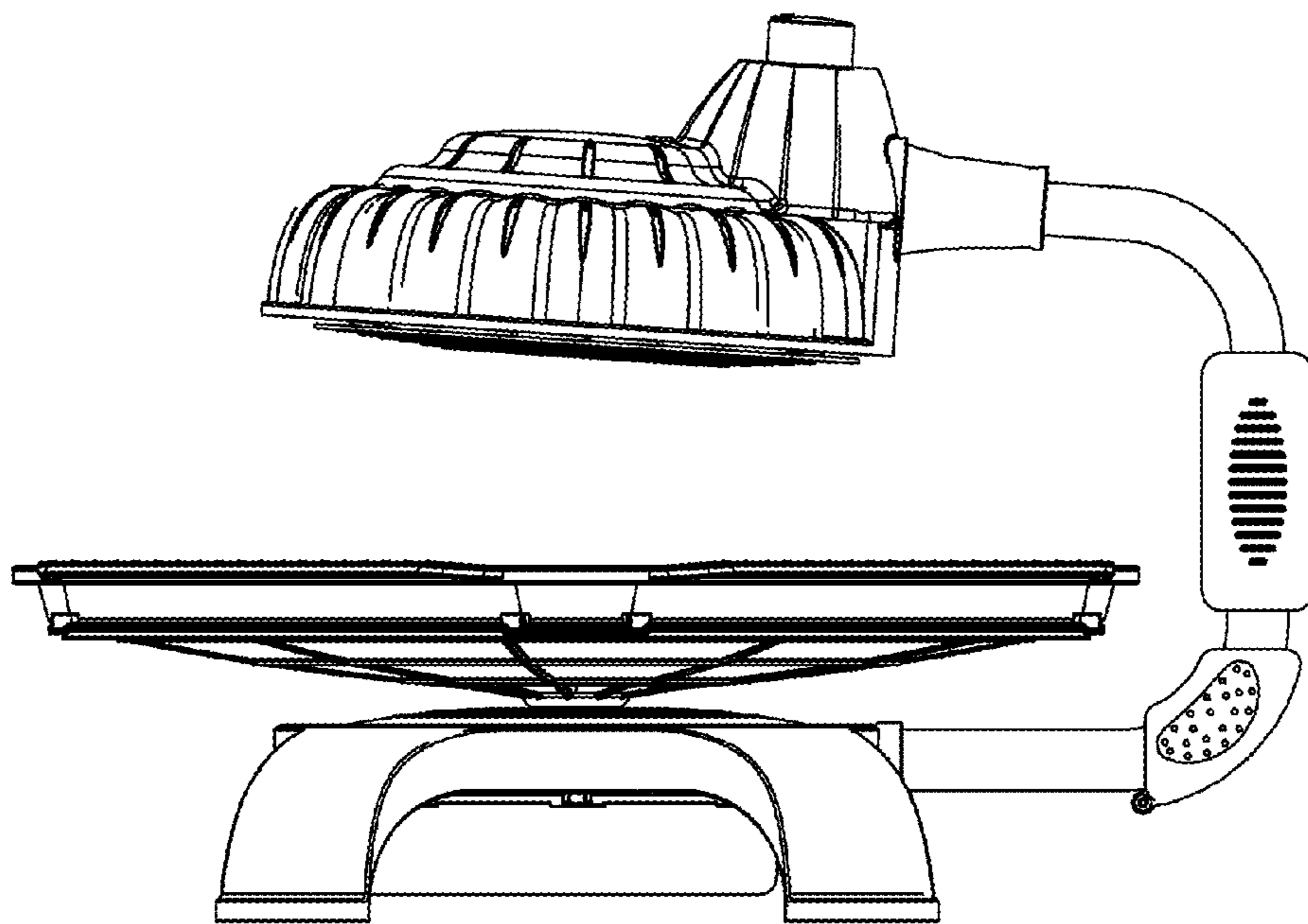


FIG. 6

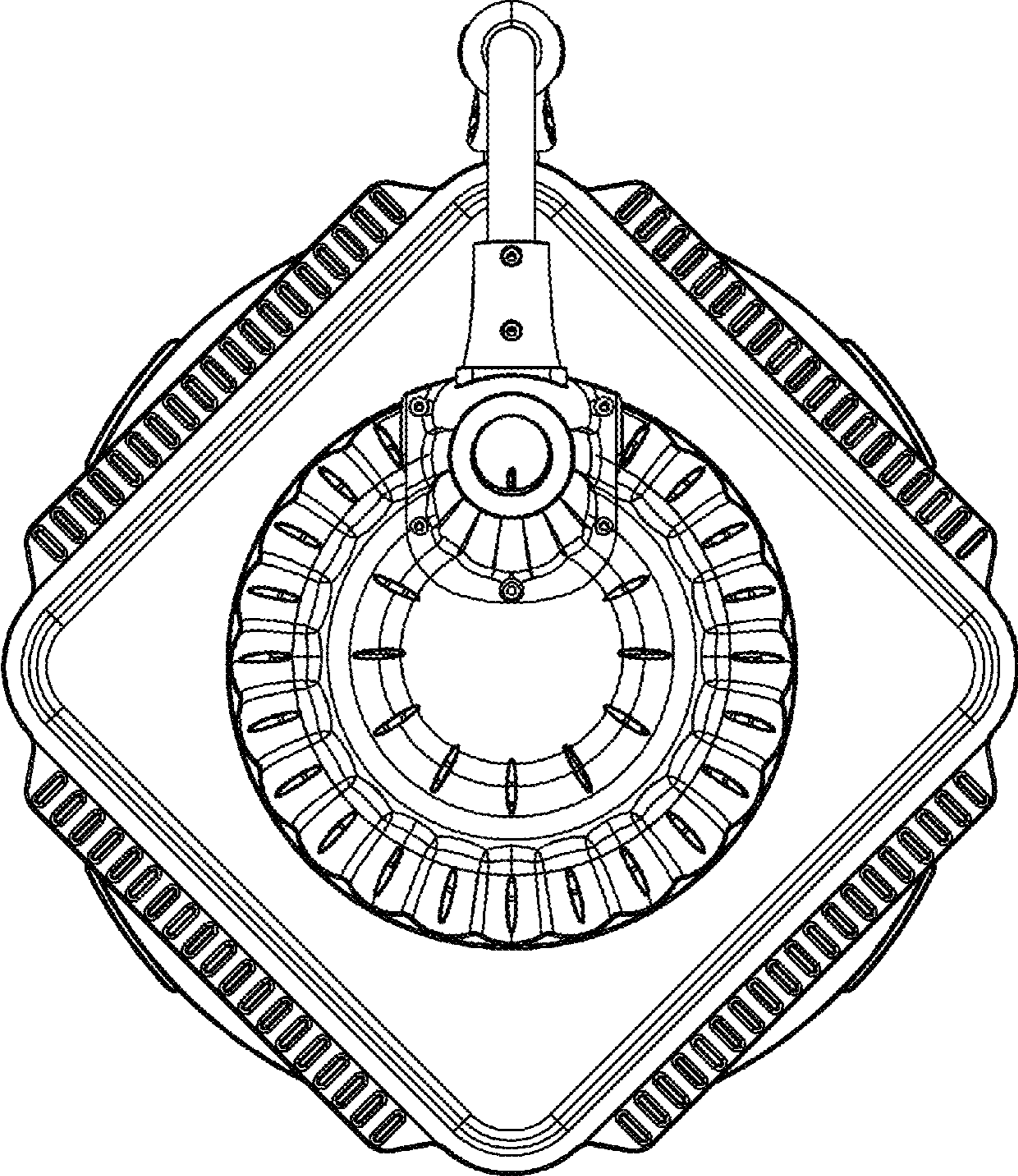


FIG. 7

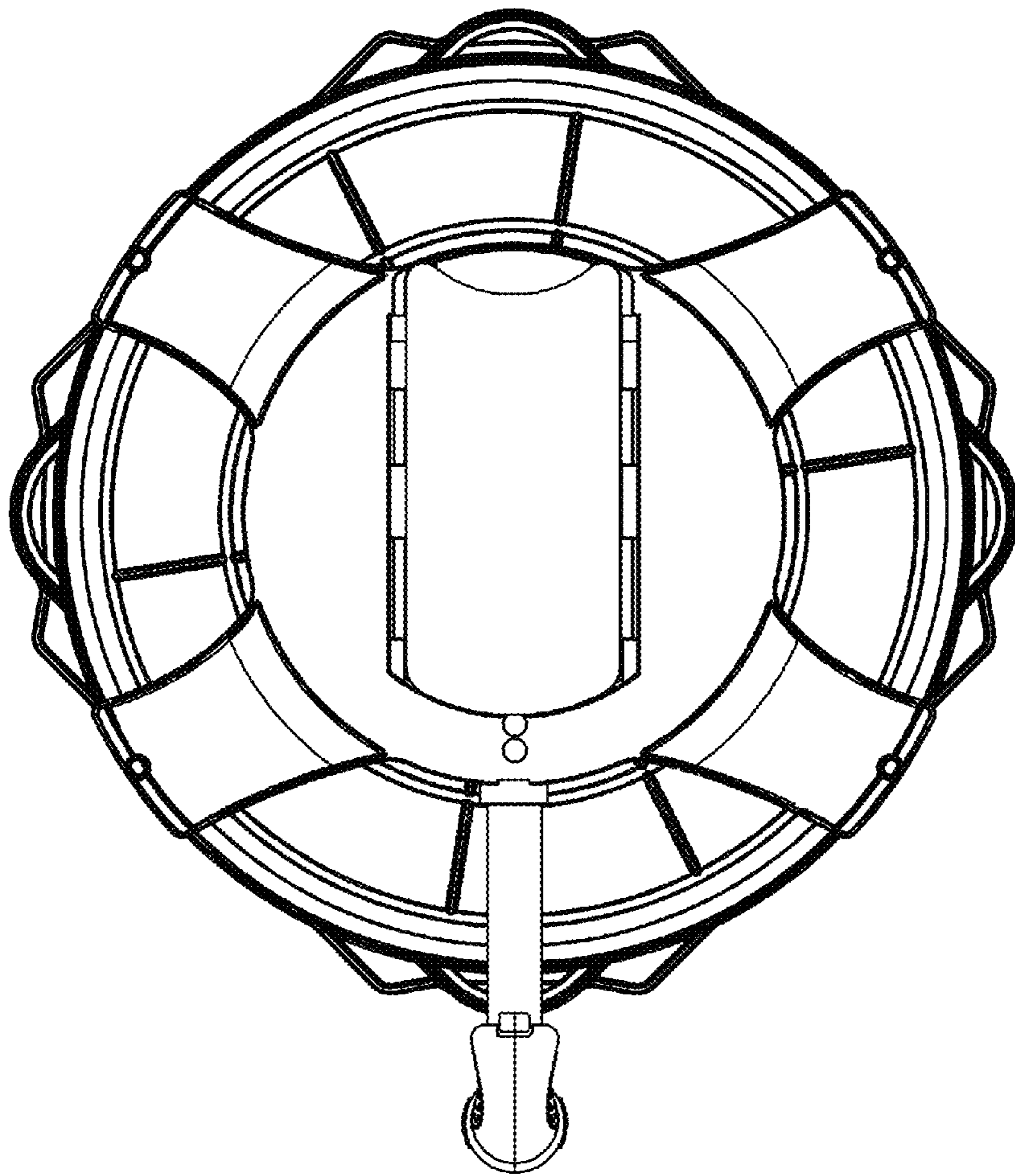


FIG. 8

