



US00D764218S

(12) **United States Design Patent**
Nilssen

(10) **Patent No.:** **US D764,218 S**

(45) **Date of Patent:** **** Aug. 23, 2016**

(54) **OVEN DOOR**

(71) Applicant: **Hestan Commercial Corporation,**
Anaheim, CA (US)

(72) Inventor: **Ray Nilssen,** Fairhope, AL (US)

(73) Assignee: **Hestan Commercial Corporation,**
Anaheim, CA (US)

(**) Term: **14 Years**

(21) Appl. No.: **29/516,443**

(22) Filed: **Feb. 2, 2015**

(51) **LOC (10) Cl.** **07-02**

(52) **U.S. Cl.**
USPC **D7/339; D7/340; D7/348**

(58) **Field of Classification Search**
USPC D7/323, 328–330, 339–349, 390,
D7/402–406; D8/300–306, 316
CPC A21B 2/00; A47J 37/00; A47J 37/06;
A47J 37/0611; A47J 37/08; A47J 37/0807;
A47J 37/0814; A47J 37/0835; A47J 37/0842;
A47J 37/085; A47J 37/0864; A47J 37/0878;
A47J 37/0085; A47J 37/0892; F24C 7/00;
F24C 7/002; F24C 7/046; F24C 7/067;
F24C 15/02; F24C 15/04; F24C 15/10;
F24C 15/102

See application file for complete search history.

(56) **References Cited**

U.S. PATENT DOCUMENTS

D400,424 S * 11/1998 Lewis D8/316
D526,527 S * 8/2006 Jung D7/348

D580,698 S * 11/2008 Kim D7/348
D626,781 S * 11/2010 Busalt D7/349
D646,113 S * 10/2011 Park D7/348
D671,790 S * 12/2012 Busalt D7/349
D724,889 S * 3/2015 Borjesson D7/349
D736,027 S * 8/2015 Funnell, II D7/339
D741,104 S * 10/2015 Funnell, II D7/348
D745,311 S * 12/2015 Funnell, II D7/349
D750,413 S * 3/2016 Funnell, II D7/348
D750,414 S * 3/2016 Funnell, II D7/348

* cited by examiner

Primary Examiner — Ricky Pham

(74) *Attorney, Agent, or Firm* — Akerman LLP

(57) **CLAIM**

The ornamental design for an oven door, as shown and described.

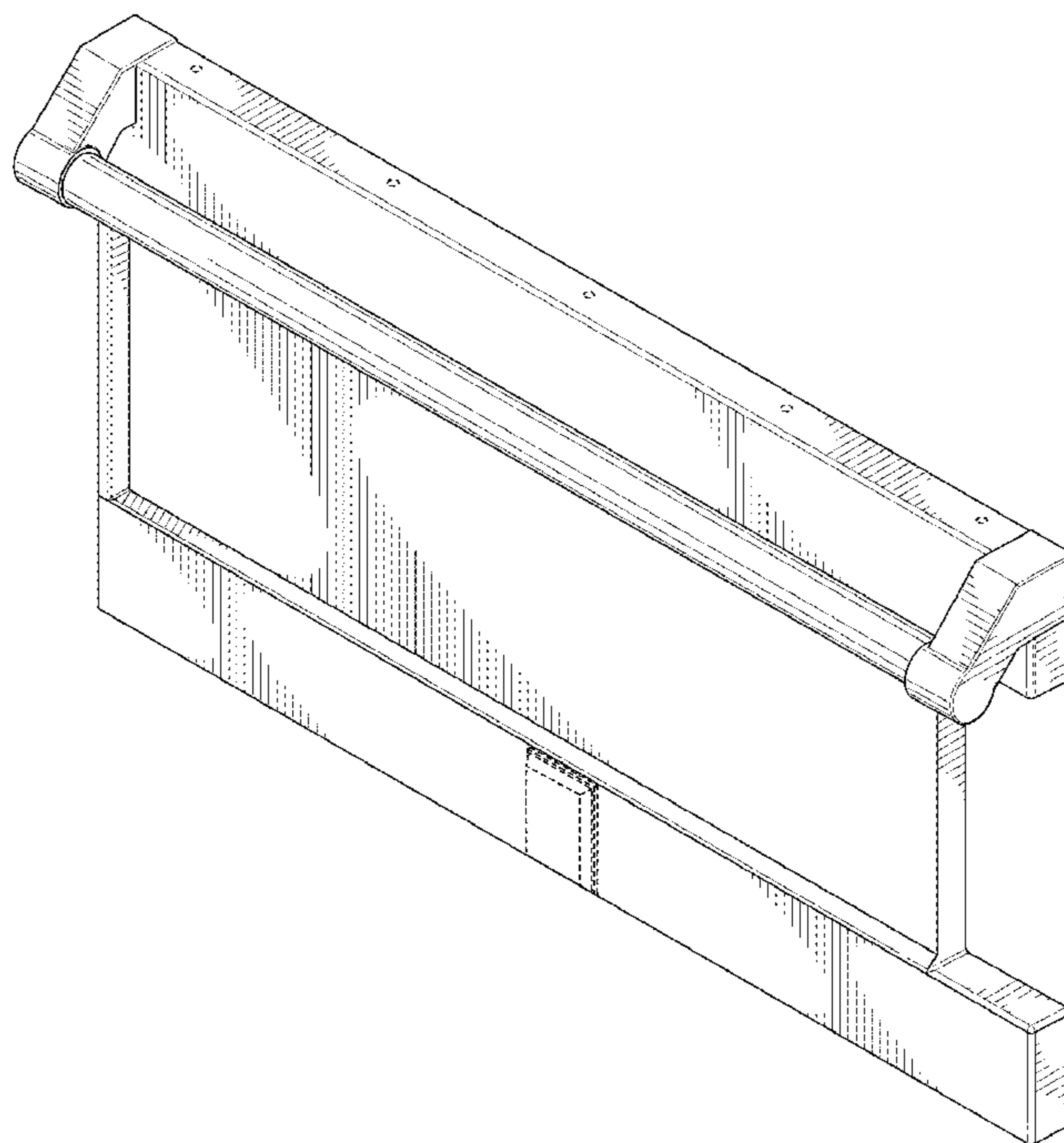
DESCRIPTION

FIG. 1 is a front perspective view of the oven door showing my new design;
FIG. 2 is a front elevation view thereof;
FIG. 3 is a back elevation view thereof;
FIG. 4 is a left side elevation view thereof;
FIG. 5 is a right side elevation view thereof;
FIG. 6 is a bottom plan view thereof; and,
FIG. 7 is a top plan view thereof.

The broken lines in FIGS. 1, 2 and 4-7 are for illustrative purposes only, depicting the environment of the new design, forming no part thereof as claimed.

The dot-dash style broken lines in FIGS. 3 and 6 illustrate the boundary of the design, the region within this line being unclaimed.

1 Claim, 5 Drawing Sheets



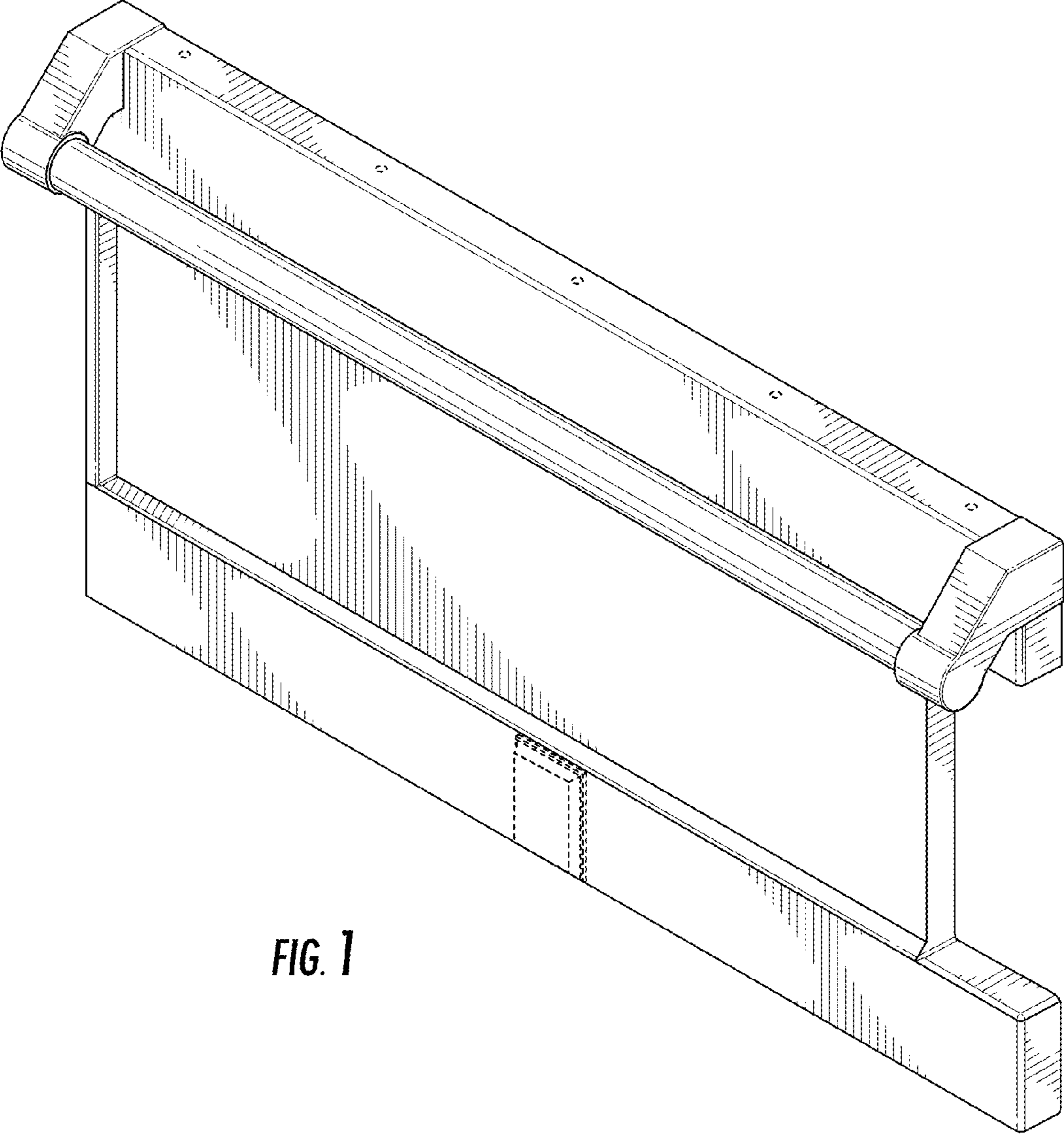


FIG. 1

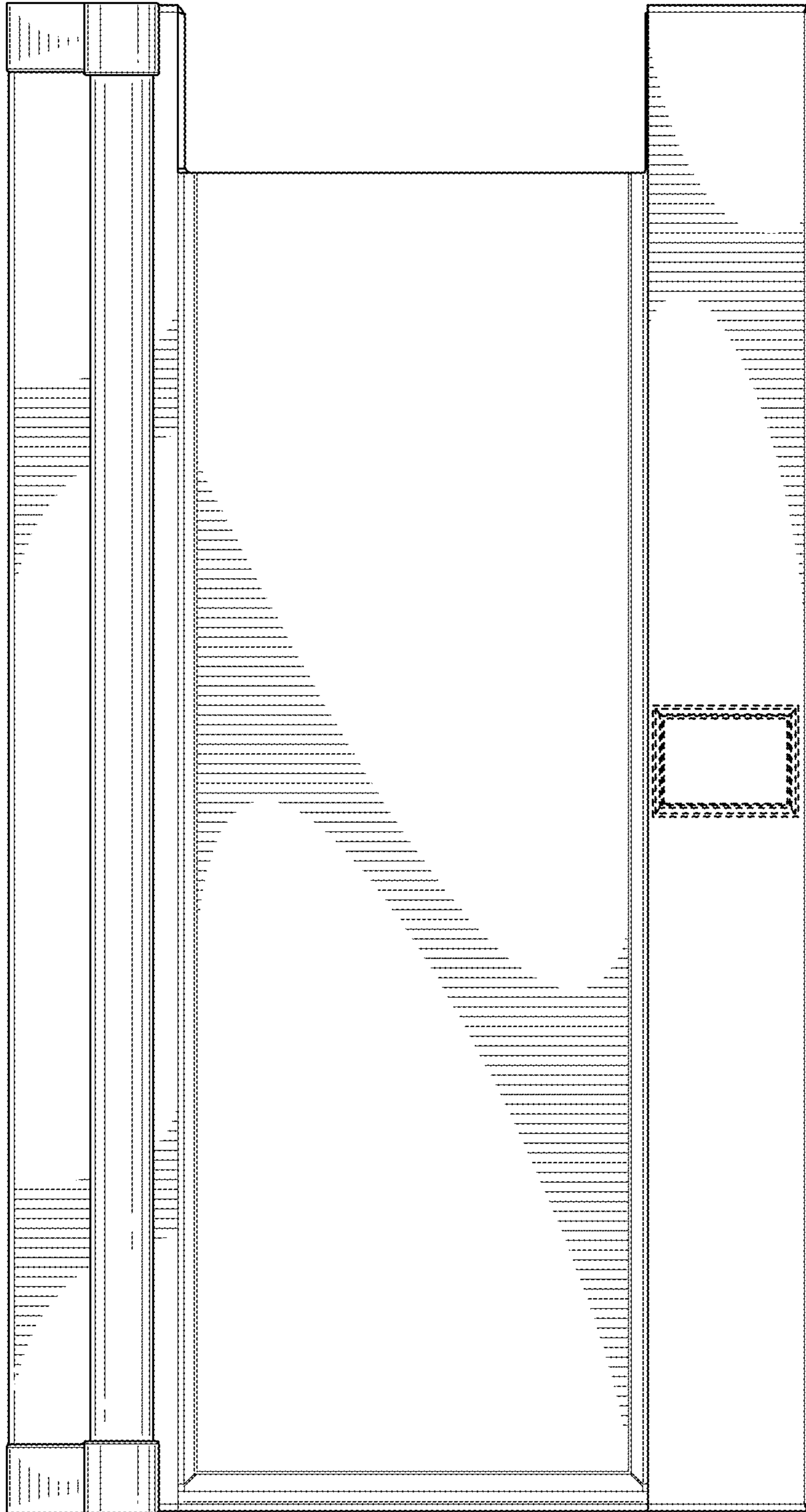


FIG. 2

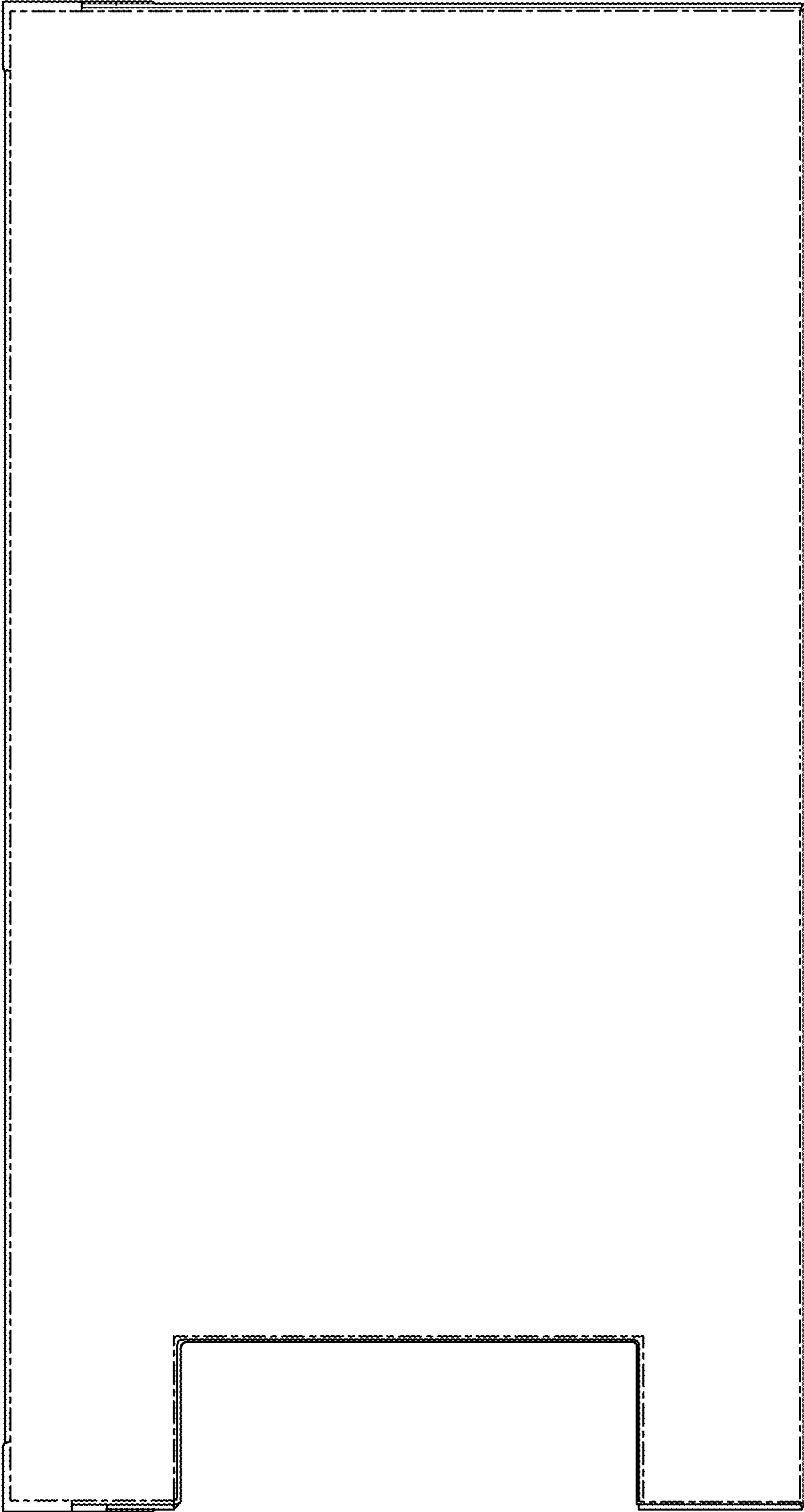


FIG. 3

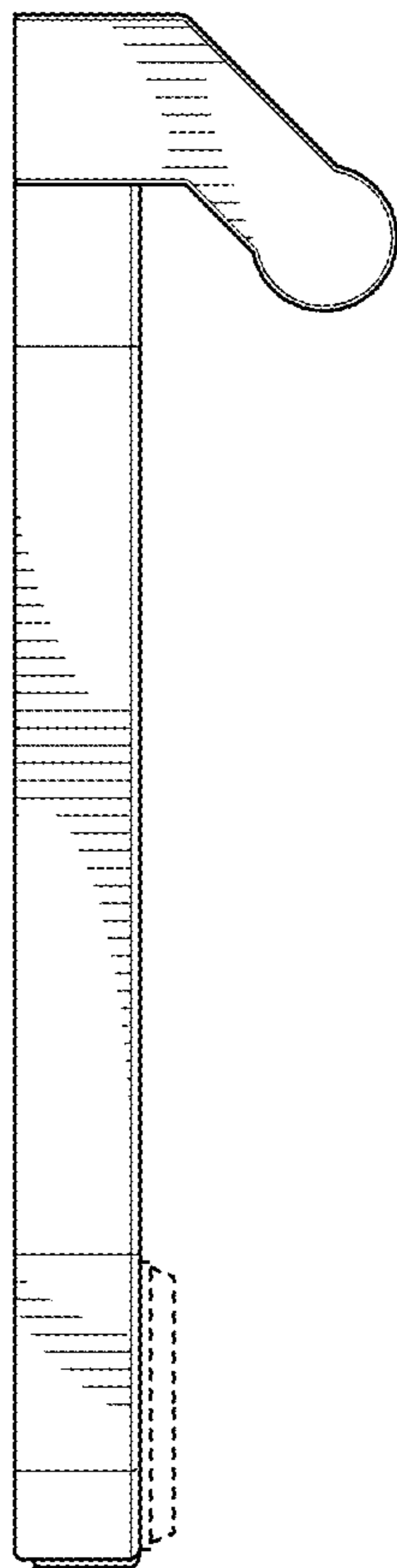


FIG. 4

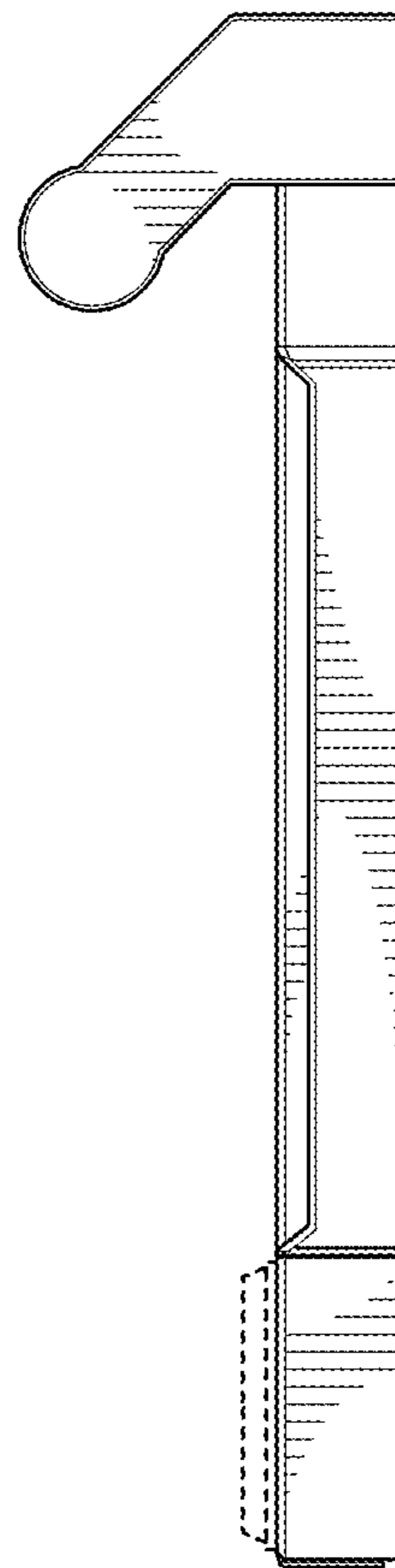


FIG. 5

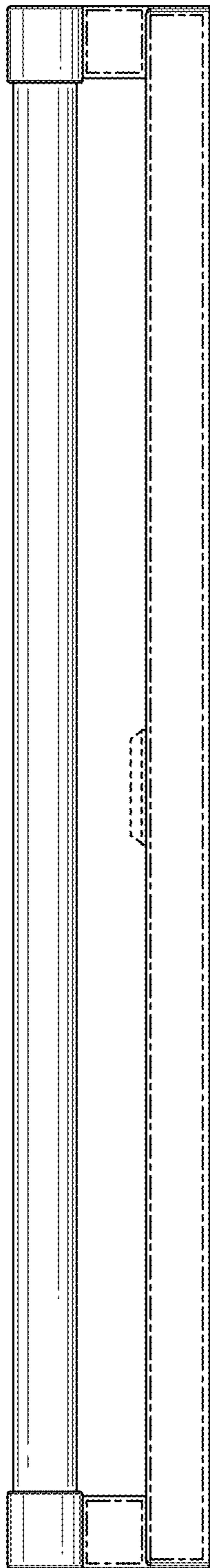


FIG. 6

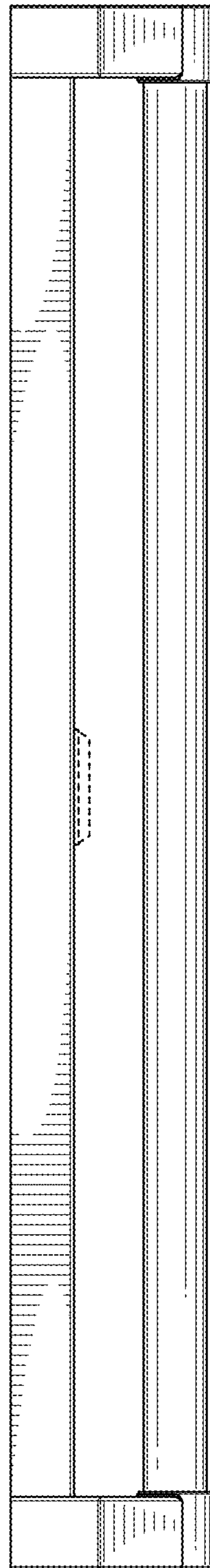


FIG. 7