

US00D764217S

(12) **United States Design Patent** (10) **Patent No.:** **US D764,217 S**
Kamil (45) **Date of Patent:** **** Aug. 23, 2016**

(54) **BREWING TANK**
(71) Applicant: **GranMalt AG**, Freising—Attaching (DE)
(72) Inventor: **Gerhard Kamil**, Freising—Attaching (DE)
(73) Assignee: **GRANMALT AG**, Freising (DE)
(**) Term: **14 Years**
(21) Appl. No.: **29/507,685**
(22) Filed: **Oct. 30, 2014**
(30) **Foreign Application Priority Data**
Apr. 30, 2014 (EM) 002456533-0001
Apr. 30, 2014 (EM) 002456533-0002
Apr. 30, 2014 (EM) 002456533-0003
Apr. 30, 2014 (EM) 002456533-0004
Apr. 30, 2014 (EM) 002456533-0005

D295,135 S * 4/1988 Ogden D7/334
D324,149 S * 2/1992 Beeren D7/300
D356,713 S * 3/1995 Groover D7/306
6,349,906 B1 * 2/2002 Anderson B67D 3/0029
248/146
D474,365 S * 5/2003 Valentino D7/300
6,561,178 B1 * 5/2003 Hayes A47J 37/0786
126/25 R
6,578,802 B1 * 6/2003 Thier B67D 3/0029
248/146
6,776,378 B1 * 8/2004 Yu A47B 73/00
211/74
7,097,072 B2 * 8/2006 Tan B67D 1/0009
222/189.06
D528,344 S * 9/2006 Mika D7/307
7,350,671 B2 * 4/2008 Mika B67D 3/0009
222/129
D583,185 S * 12/2008 Rutter D7/334
D668,096 S * 10/2012 Simms, II D7/334
8,347,442 B2 * 1/2013 Peacocke A47J 37/0786
15/160
D685,599 S * 7/2013 Miller D7/306
D731,225 S * 6/2015 Peterson D7/306
2010/0212419 A1 * 8/2010 Radhakrishnan A47J 31/50
73/304 C
2011/0174342 A1 * 7/2011 Friedrich A47J 37/0704
134/105

(51) **LOC (10) Cl.** **07-01**
(52) **U.S. Cl.**
USPC **D7/313**; D34/39; D7/334
(58) **Field of Classification Search**
USPC D7/306–311, 305, 300, 397, 334, 313,
D7/312; 99/279, 284, 290, 280, 299, 307,
99/297; D34/39; 220/567
CPC A47J 31/44; A47J 31/00; A47J 31/46;
A47J 31/10; B67D 3/0029
See application file for complete search history.

* cited by examiner
Primary Examiner — Marianne Pandozzi
(74) *Attorney, Agent, or Firm* — Norton Rose Fulbright US LLP

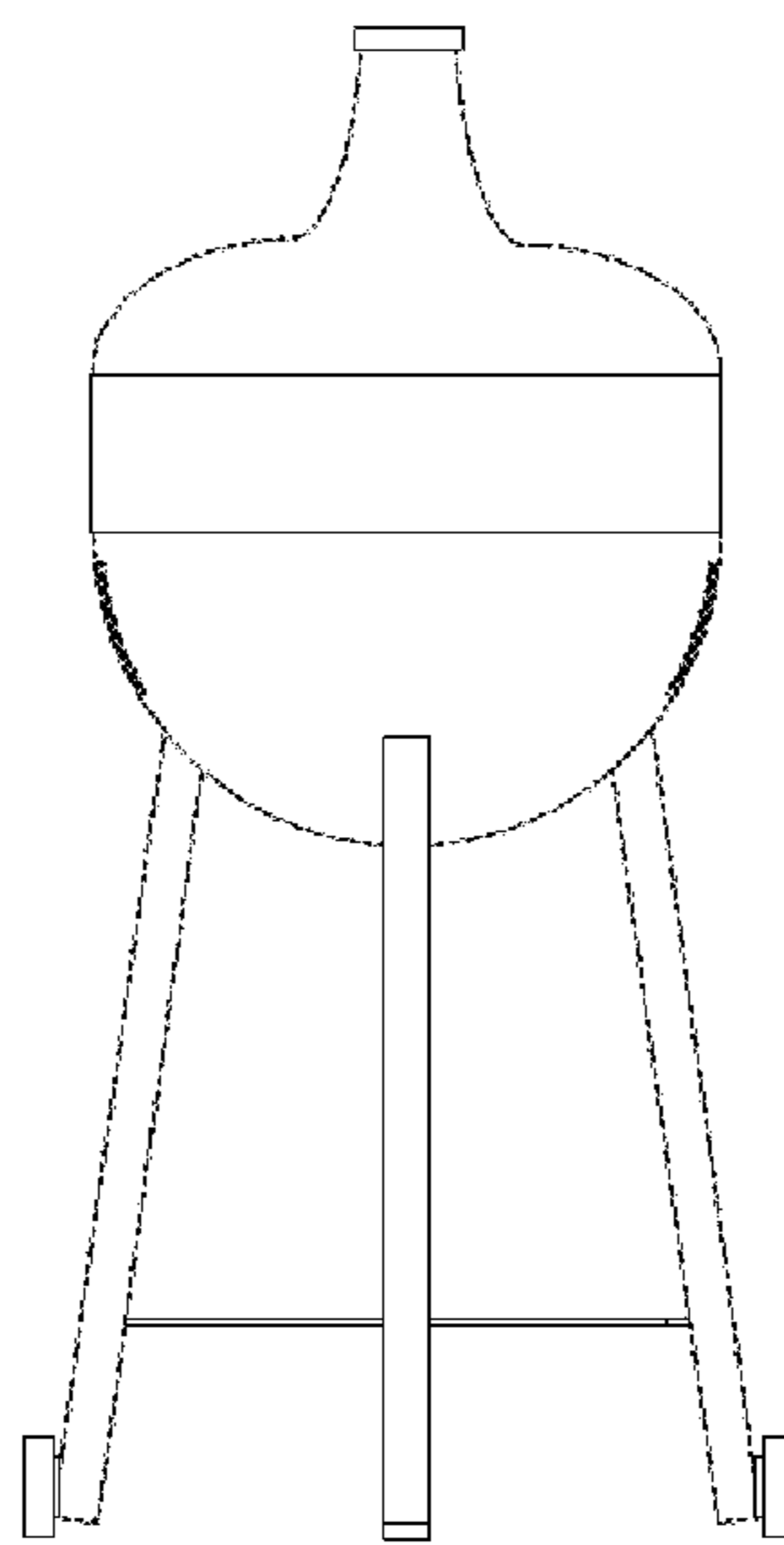
(57) **CLAIM**
The ornamental designs for a brewing tank, as shown and described.

DESCRIPTION

FIG. 1 is a rear view of a brewing tank showing my new design;
FIG. 2 is a side view of my brewing tank; and,
FIG. 3 is a top view of my brewing tank.

1 Claim, 3 Drawing Sheets

(56) **References Cited**
U.S. PATENT DOCUMENTS
3,971,304 A * 7/1976 Cvitkovich A47J 31/50
99/291
D264,638 S * 5/1982 Maeda D34/39



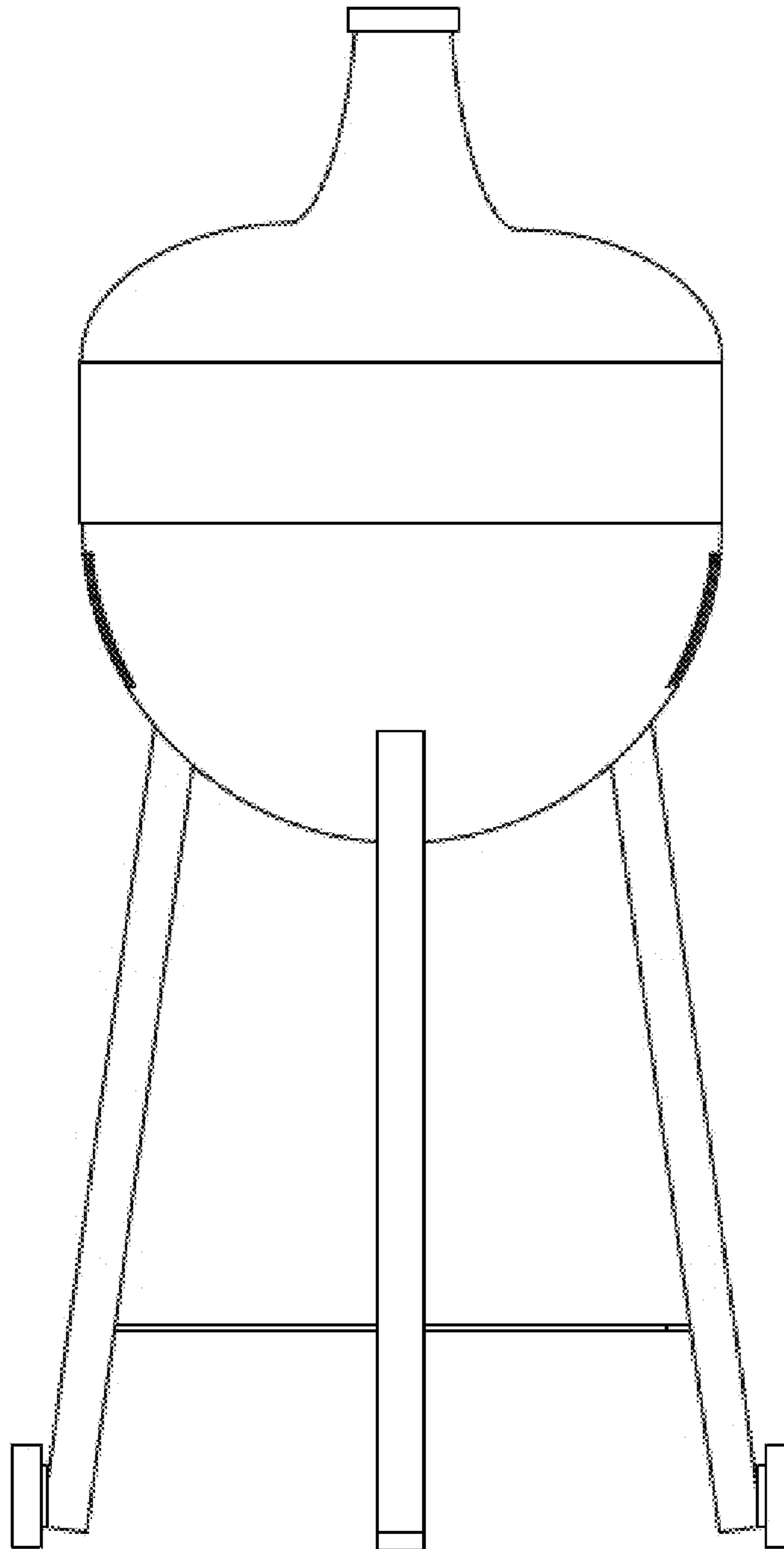


FIG. 1

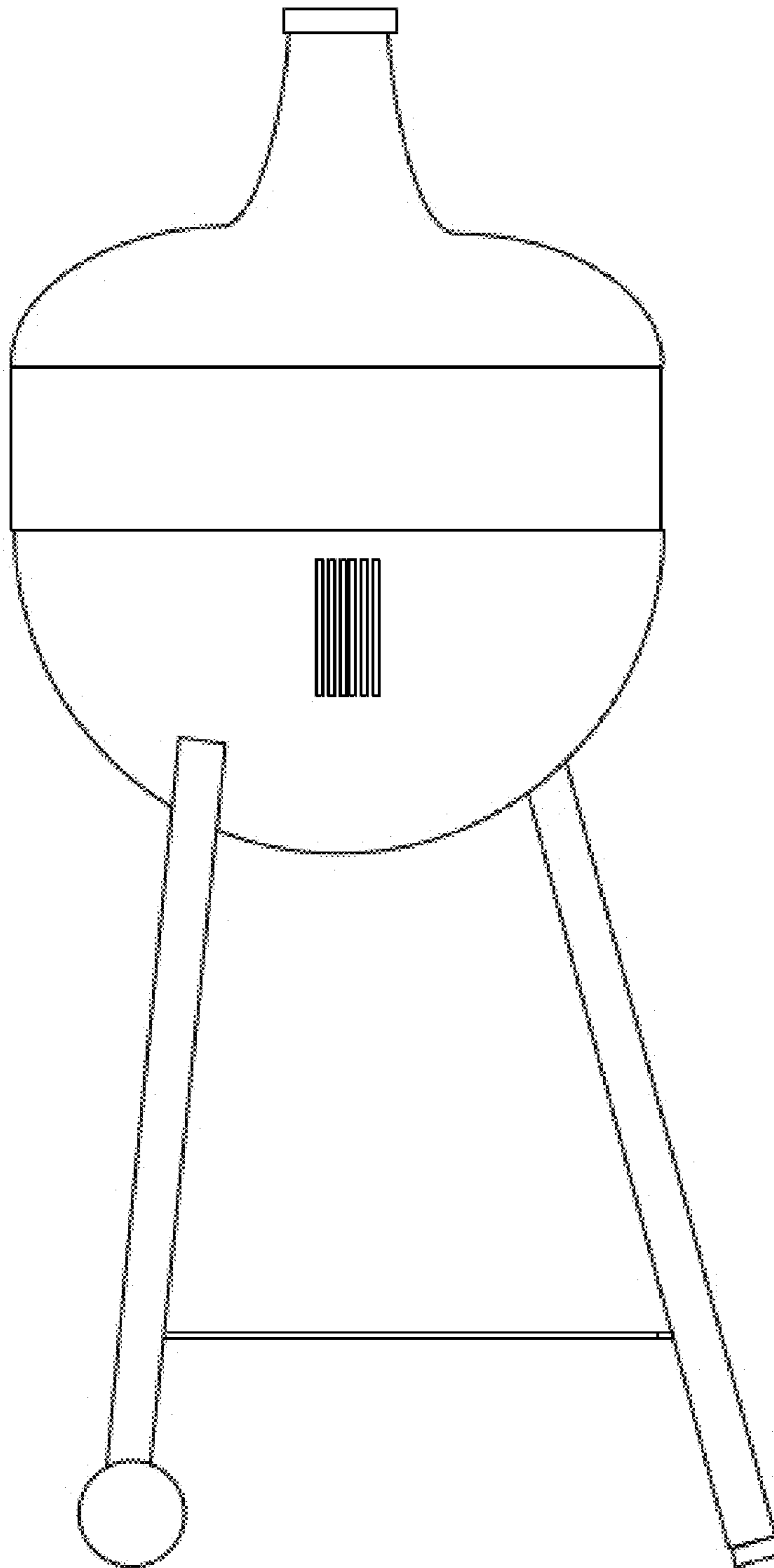


FIG. 2

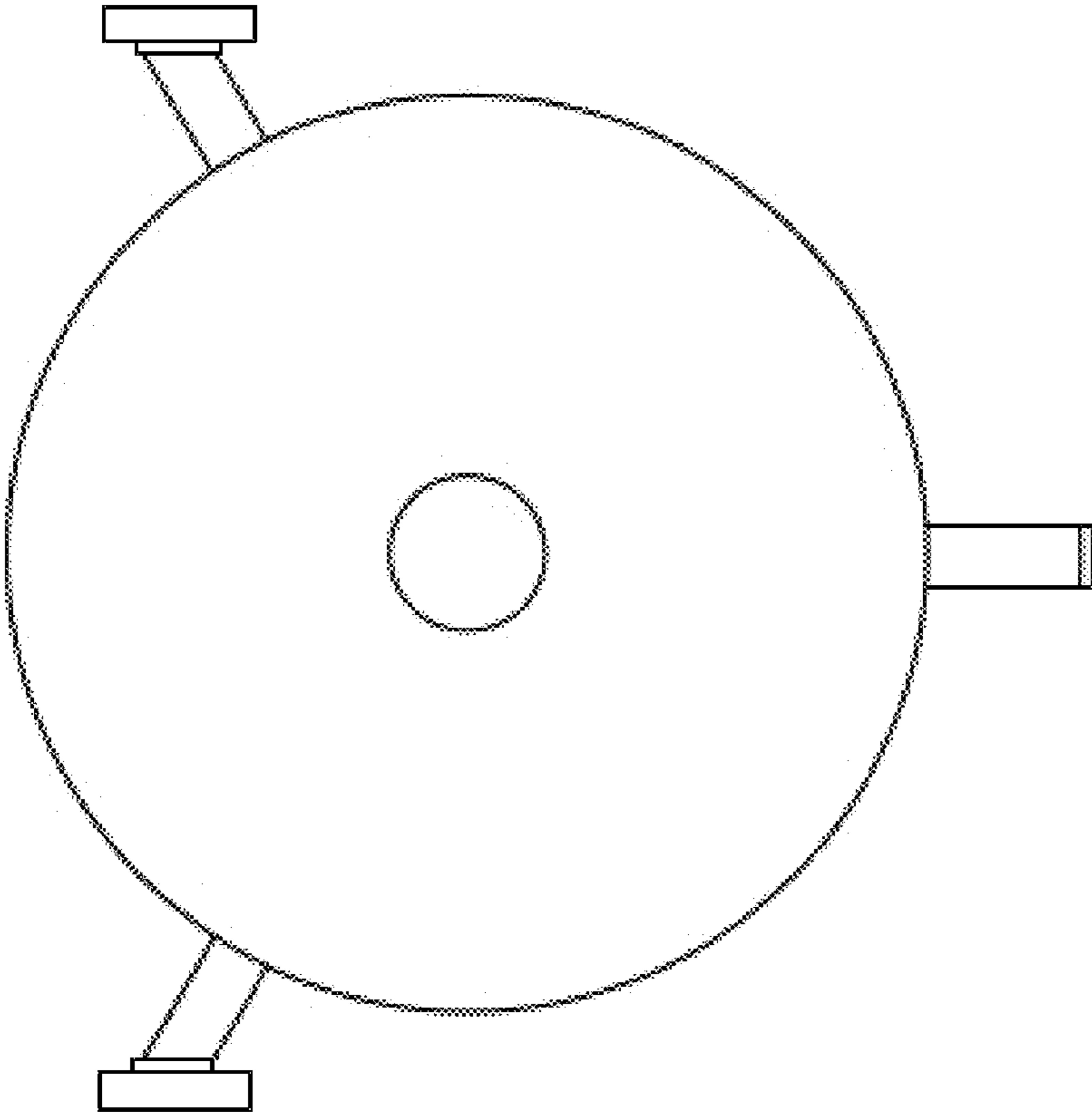


FIG. 3