

US00D764216S

(12) **United States Design Patent**
Shao et al.

(10) **Patent No.:** **US D764,216 S**
(45) **Date of Patent:** **** Aug. 23, 2016**

(54) **VACUUM COFFEE MAKER**
(71) Applicant: **Whirlpool Corporation**, Benton Harbor, MI (US)
(72) Inventors: **Ben C. Shao**, Stevensville, MI (US); **Zhaoyi Yin**, Benton Harbor, MI (US)
(73) Assignee: **Whirlpool Corporation**, Benton Harbor, MI (US)

2,845,018 A * 7/1958 Turke, Sr. A47J 31/043
210/481
3,130,663 A * 4/1964 Wickenberg A47J 31/043
210/434
3,224,360 A * 12/1965 Wickenberg A47J 31/043
285/321
3,316,388 A * 4/1967 Wickenberg A47J 31/047
219/436

(Continued)

FOREIGN PATENT DOCUMENTS

(**) Term: **14 Years**
(21) Appl. No.: **29/516,928**

AU 2003300766 A1 7/2005
CN 101322617 A 12/2008

(Continued)

(22) Filed: **Feb. 6, 2015**
(51) **LOC (10) Cl.** **07-01**
(52) **U.S. Cl.**
USPC **D7/310**; D7/311; D7/309
(58) **Field of Classification Search**
USPC D7/306–311, 305, 300, 313, 399, 398,
D7/397; 99/279, 284, 290, 280, 299, 307,
99/305, 295, 308, 309, 383, 304, 323.1,
99/395, 300; 222/23, 129.1; 62/395;
D20/1; D23/207, 209; D15/89;
D13/162, 164
CPC A47J 31/44; A47J 31/00; A47J 31/407;
B67D 1/0041; B67D 3/00
See application file for complete search history.

Primary Examiner — Marianne Pandozzi

(57) **CLAIM**

We claim the ornamental design for a vacuum coffee maker, as shown.

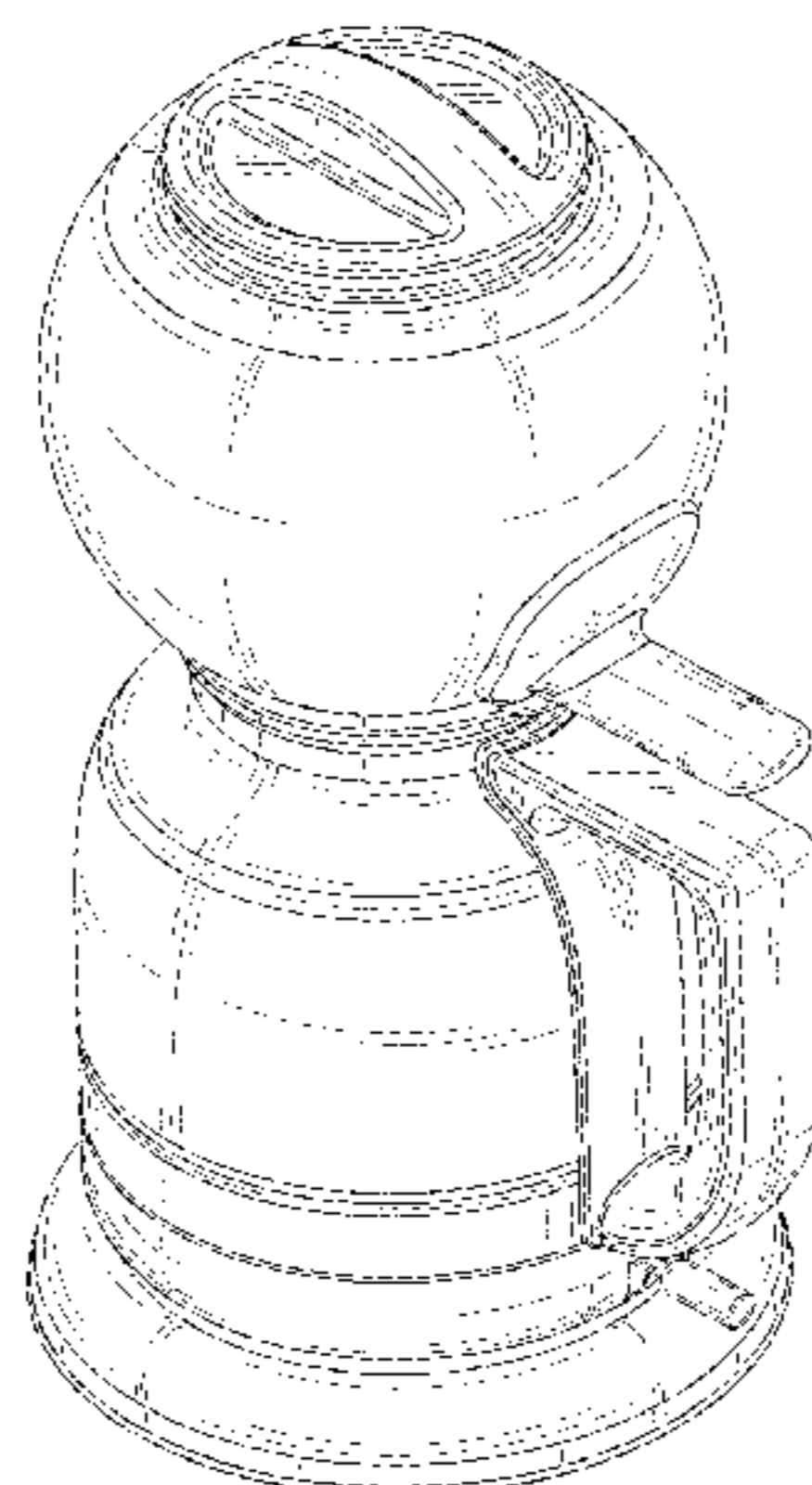
DESCRIPTION

FIG. 1 is a front perspective view of a vacuum coffee maker showing our new design;
FIG. 2 is a rear perspective view of the vacuum coffee maker of FIG. 1;
FIG. 3 is a first side elevational view of the vacuum coffee maker of FIG. 1;
FIG. 4 is a second side elevational view of the vacuum coffee maker of FIG. 1;
FIG. 5 is a front elevational view of the vacuum coffee maker of FIG. 1;
FIG. 6 is a rear elevational view of the vacuum coffee maker of FIG. 1;
FIG. 7 is a top plan view of the vacuum coffee maker of FIG. 1; and,
FIG. 8 is a bottom plan view of the vacuum coffee maker of FIG. 1.
The broken lines depict portions of the vacuum coffee maker that form no part of the claimed design.

(56) **References Cited**
U.S. PATENT DOCUMENTS

D157,428 S * 2/1950 Richards D7/310
2,567,188 A * 9/1951 Davis, Jr. A47J 31/047
219/519
2,675,754 A * 4/1954 Huck A47J 31/043
99/292
2,692,937 A * 10/1954 Clark A47J 31/047
219/436
2,694,769 A * 11/1954 Huck A47J 27/004
219/436
2,729,159 A * 1/1956 Huck A47J 31/047
337/91
2,825,792 A * 3/1958 Logan A47J 31/043
219/436

1 Claim, 7 Drawing Sheets



(56)

References Cited

U.S. PATENT DOCUMENTS

3,334,573 A * 8/1967 Kanemaru A47J 31/043
 99/292
 4,841,849 A * 6/1989 Shimomura A47J 31/42
 99/282
 4,876,953 A * 10/1989 Imamura A47J 31/047
 99/280
 D353,296 S * 12/1994 Assmann D7/309
 5,544,566 A 8/1996 Bersten
 5,586,484 A 12/1996 Piazza
 D404,604 S * 1/1999 Pochopien D7/309
 D438,749 S * 3/2001 Joergensen D7/309
 D440,458 S * 4/2001 Ohu D7/309
 D465,120 S * 11/2002 Bouhuys D7/309
 D494,802 S * 8/2004 Babkes D7/310

D501,751 S * 2/2005 Lin D7/309
 D585,229 S * 1/2009 de Visser D7/309
 D666,049 S * 8/2012 Struzka D7/306
 D694,566 S * 12/2013 Harthoorn D7/306
 D699,065 S * 2/2014 Bucher D7/306
 D707,070 S * 6/2014 De'Longhi D7/309
 D712,188 S * 9/2014 Averty D7/309
 2008/0206418 A1 8/2008 Ranzoni
 2009/0013876 A1 1/2009 Ranzoni

FOREIGN PATENT DOCUMENTS

WO 2005063090 A1 7/2005
 WO 2008012838 A1 1/2008
 WO 2008087673 A1 7/2008

* cited by examiner

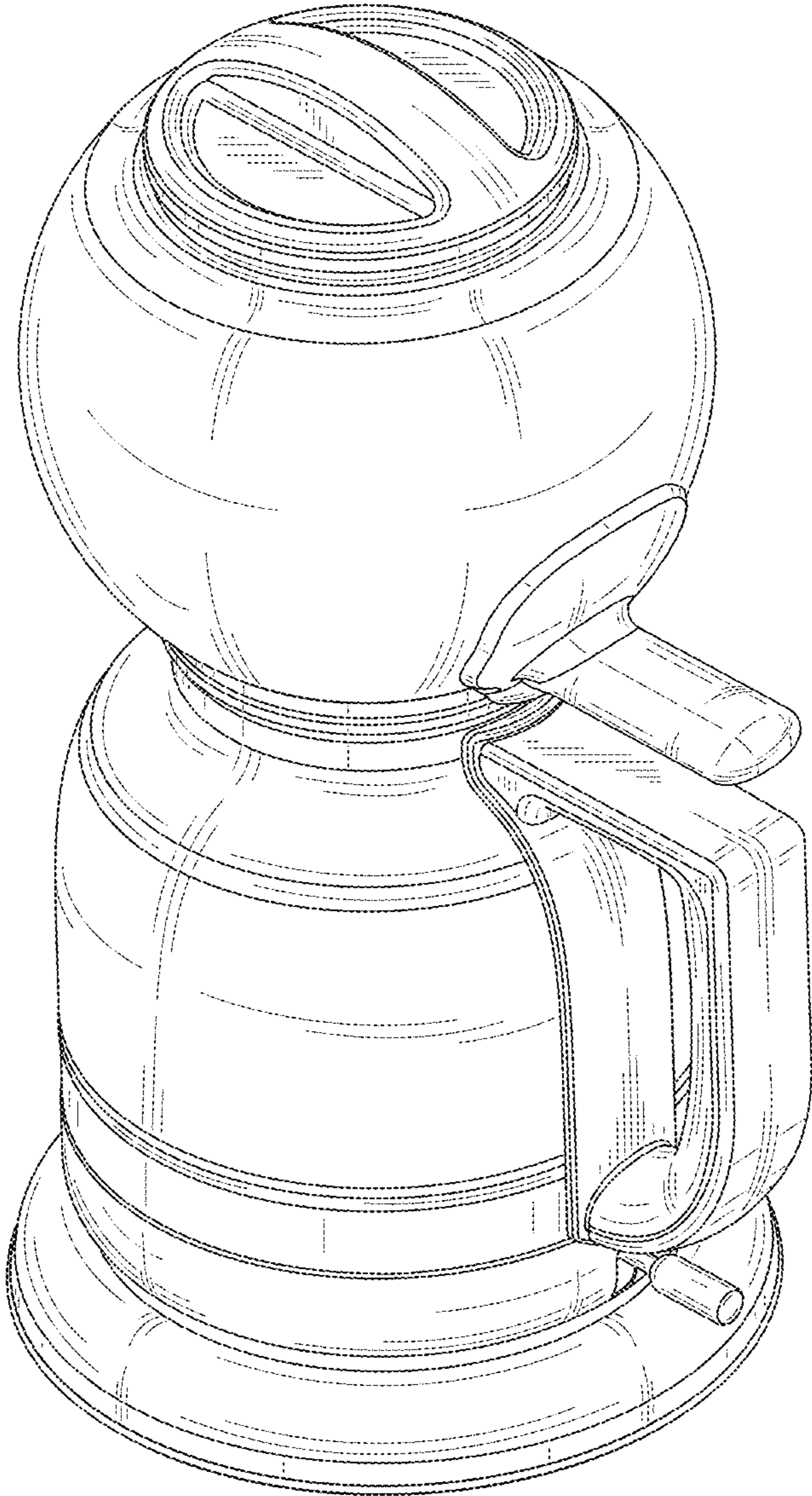


FIG. 1

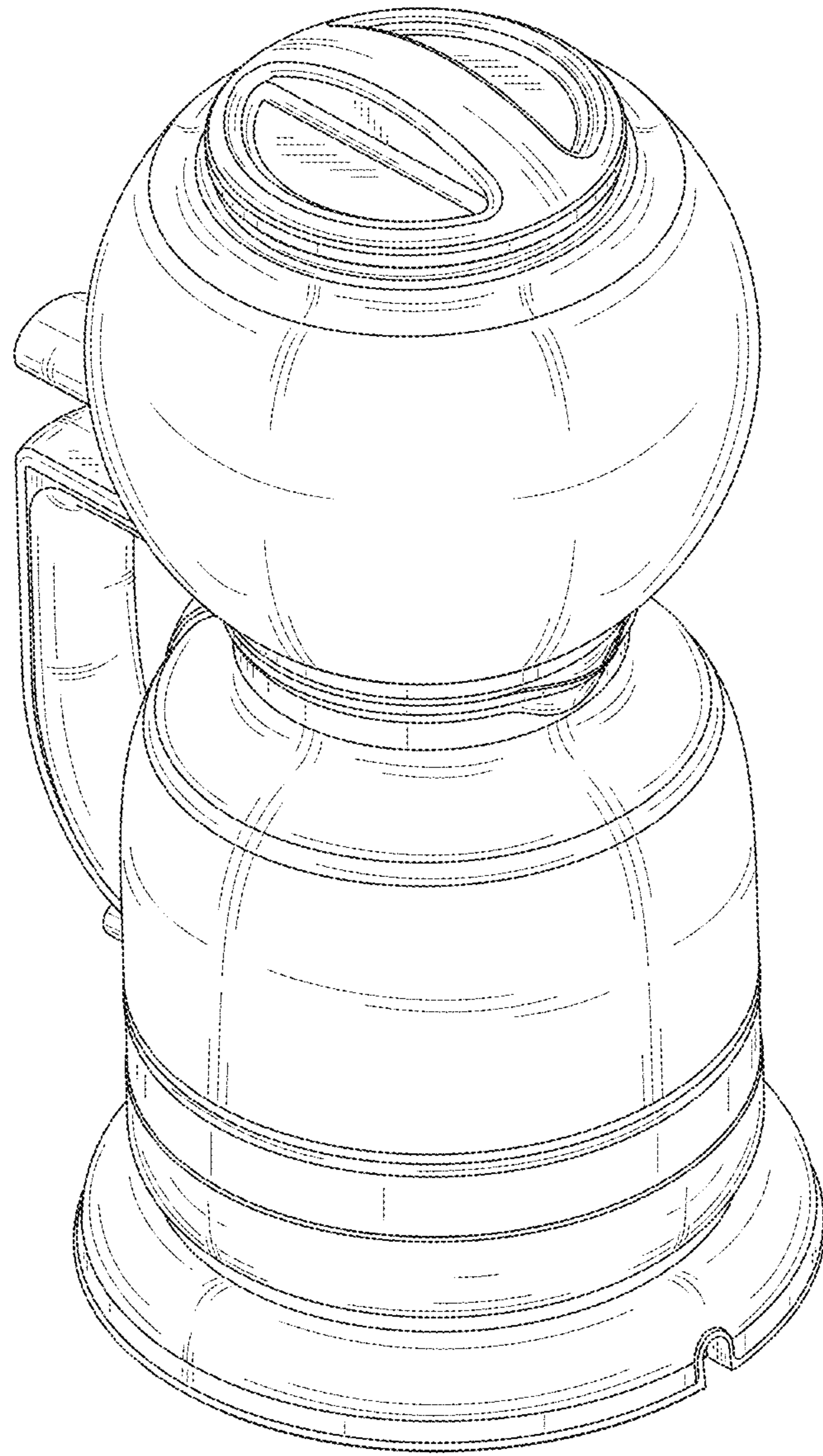


FIG. 2

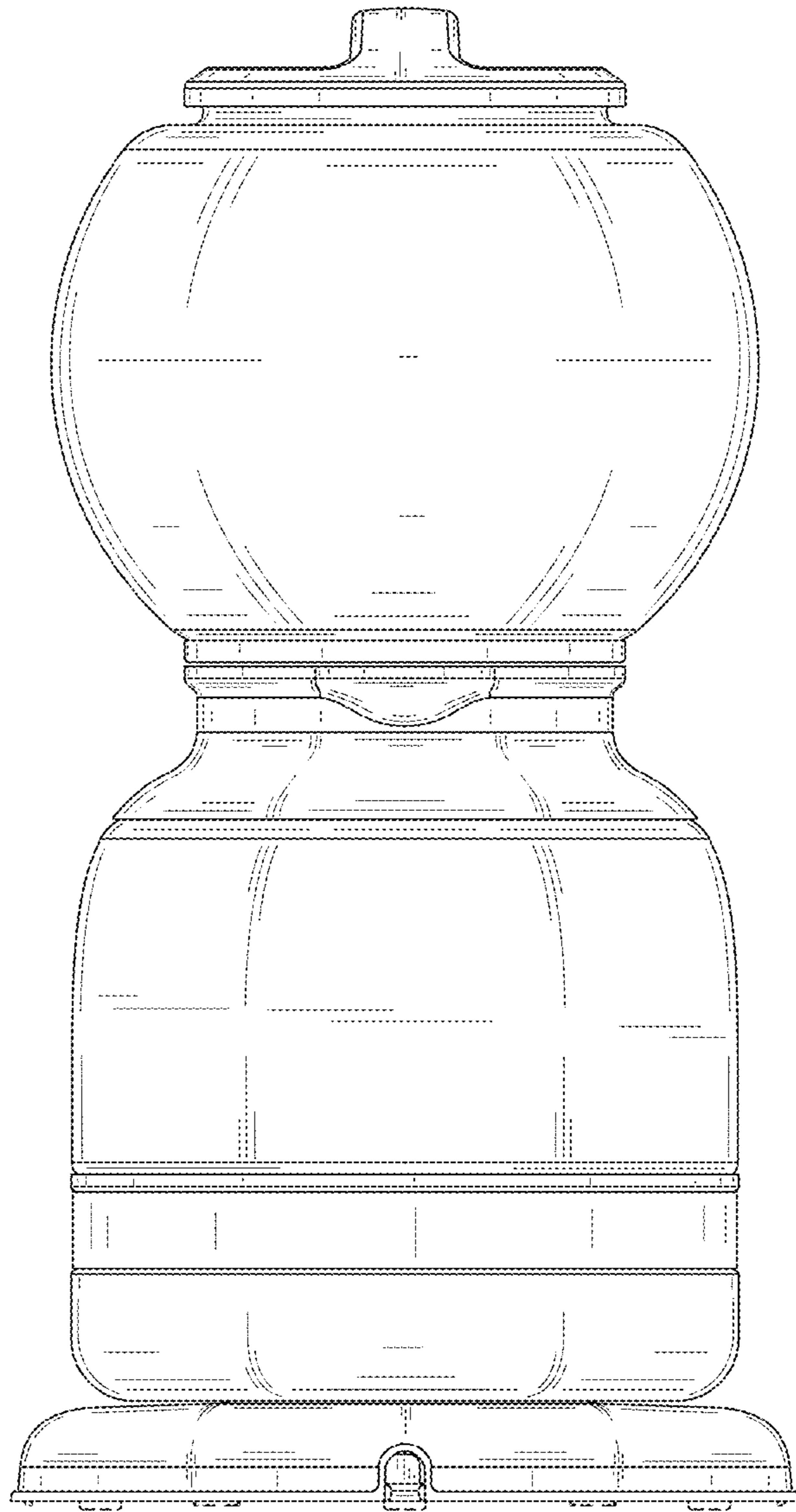


FIG. 3

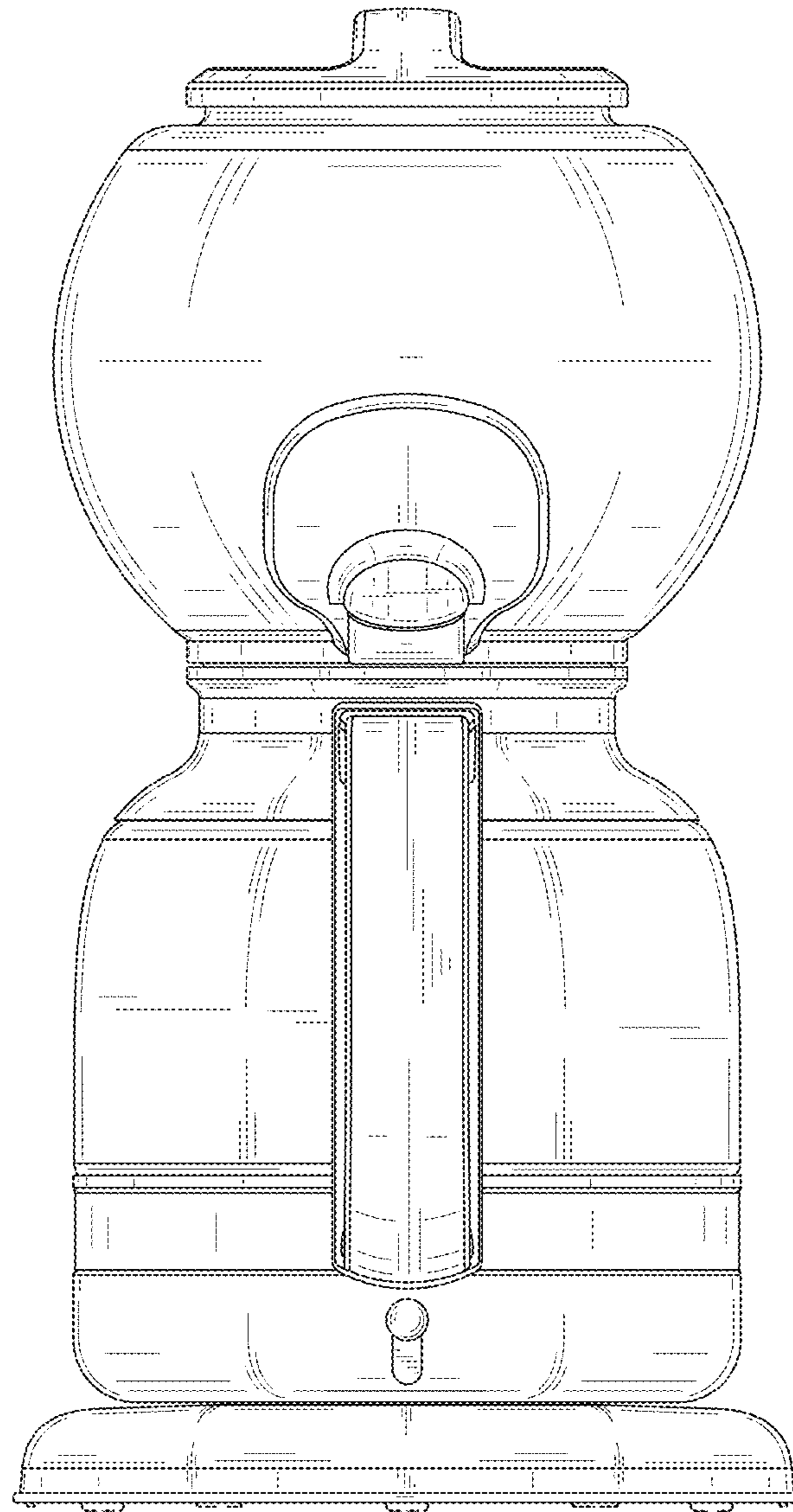


FIG. 4

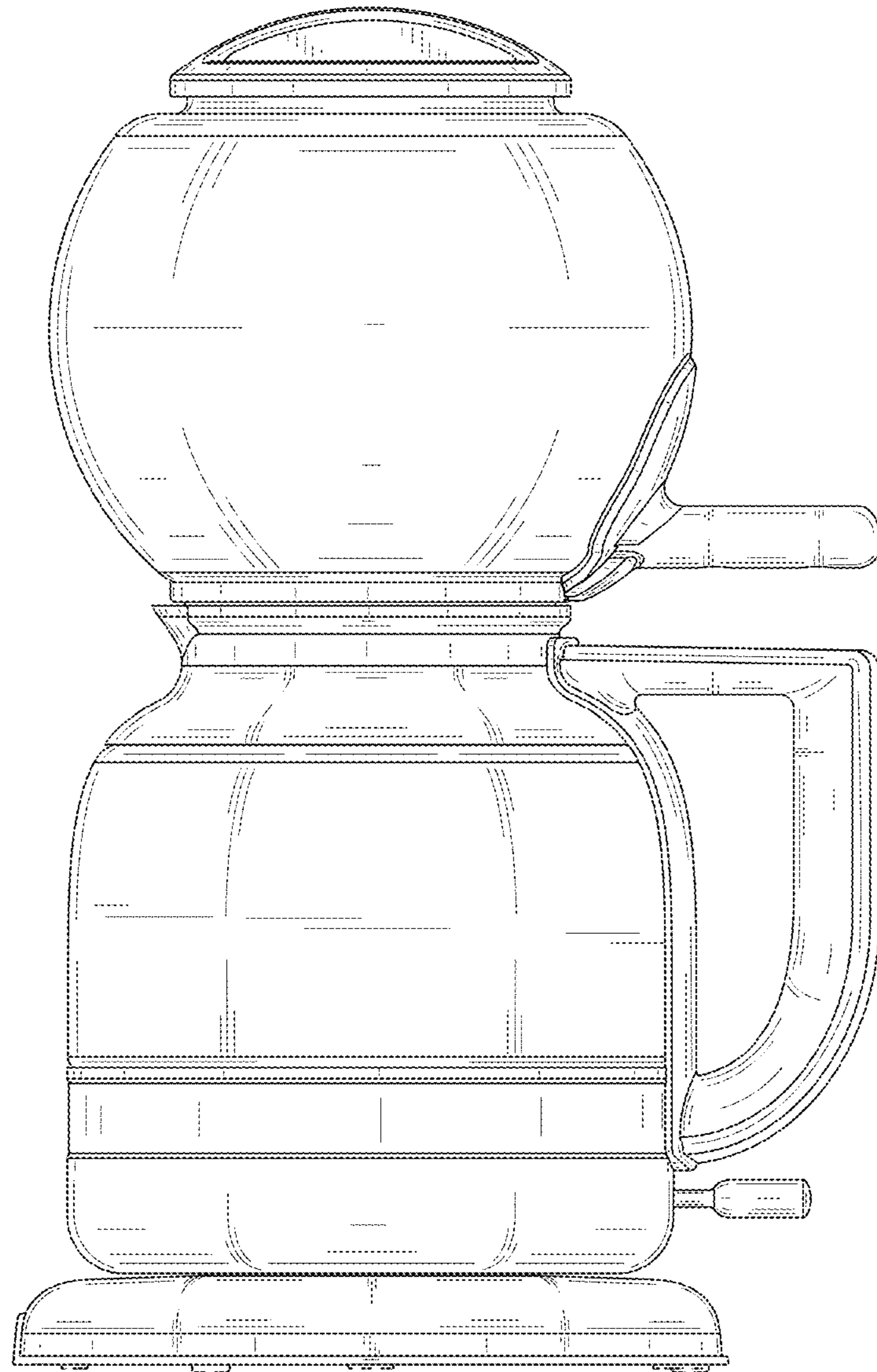


FIG. 5

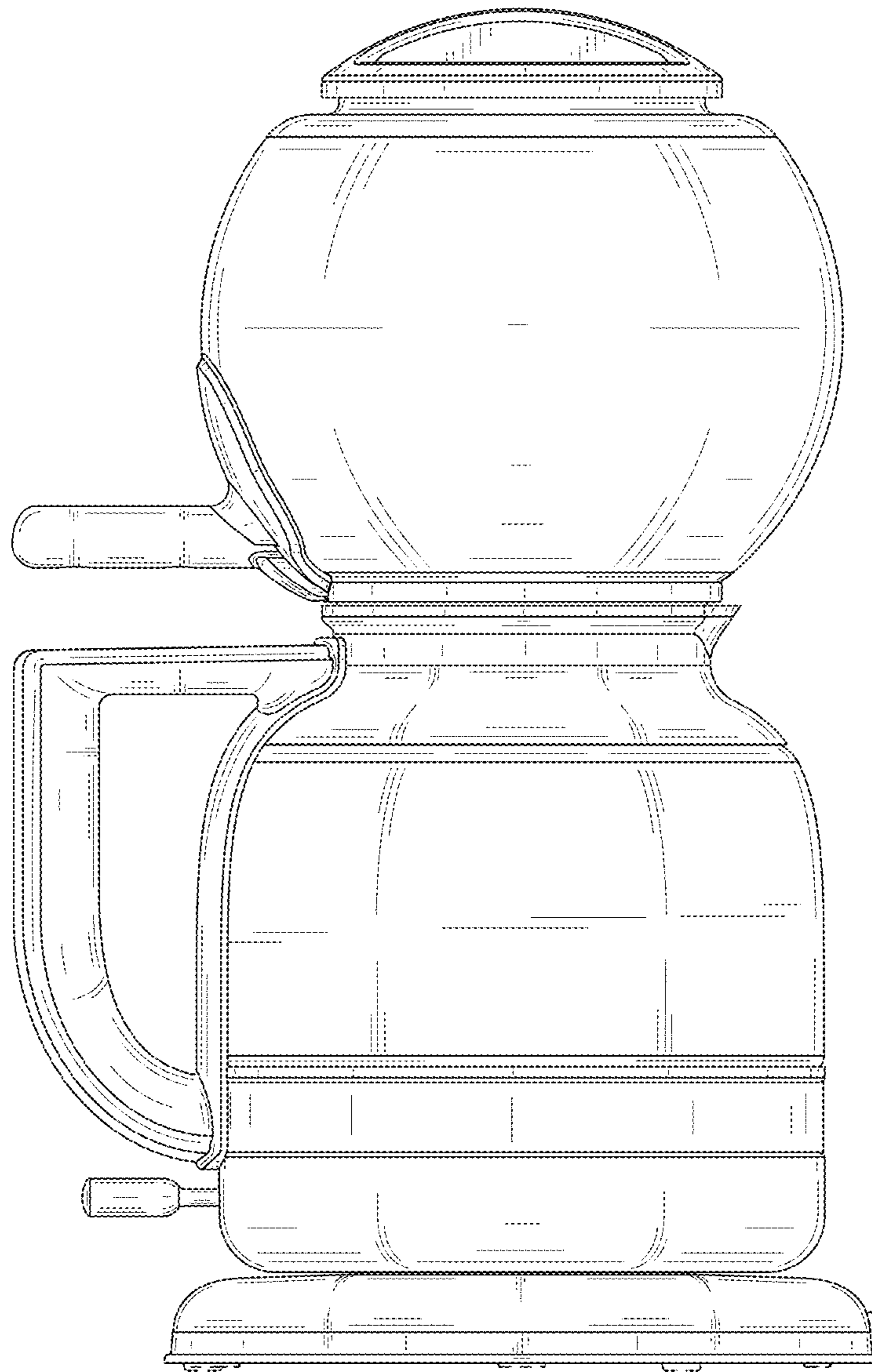


FIG. 6

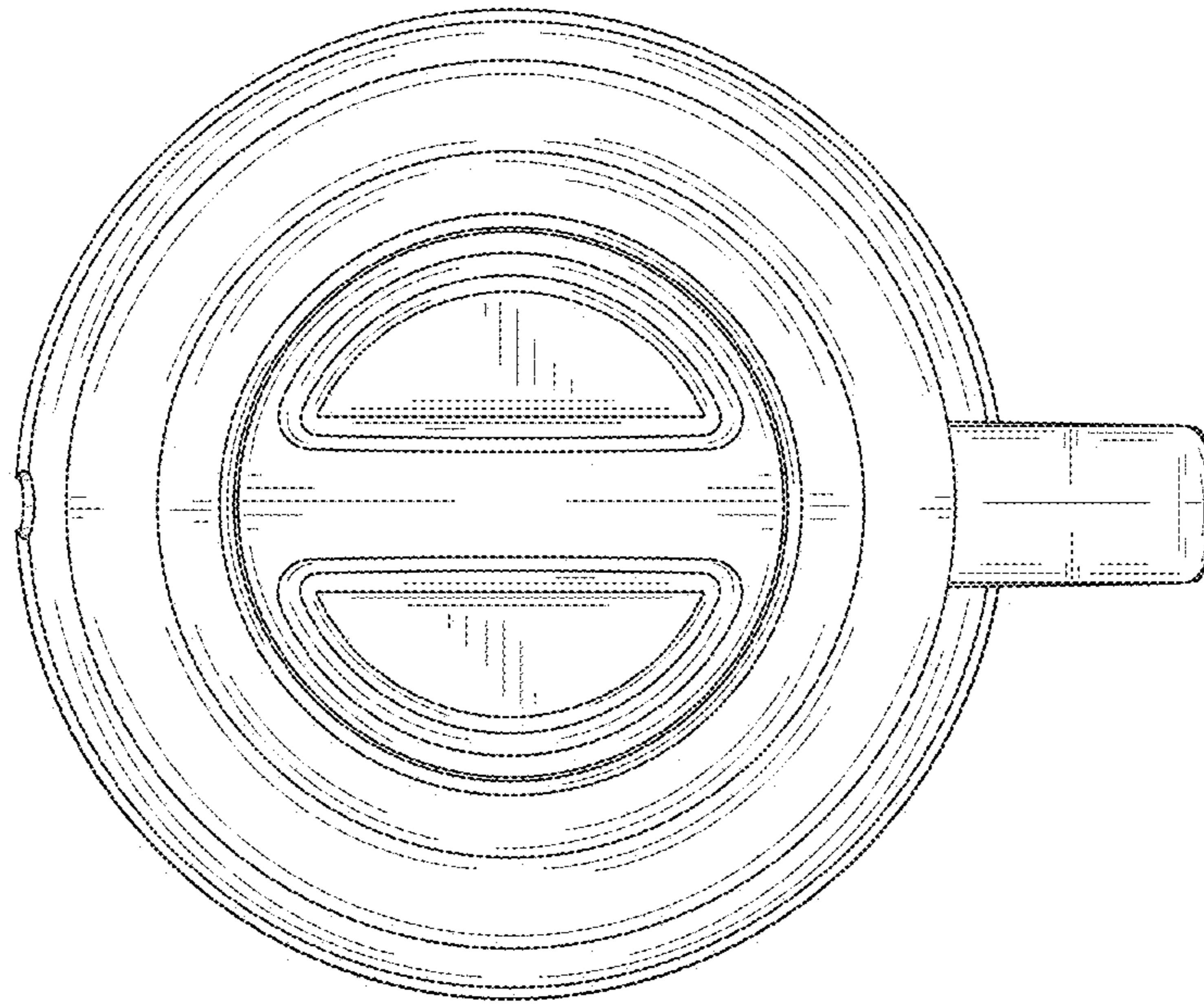


FIG. 7

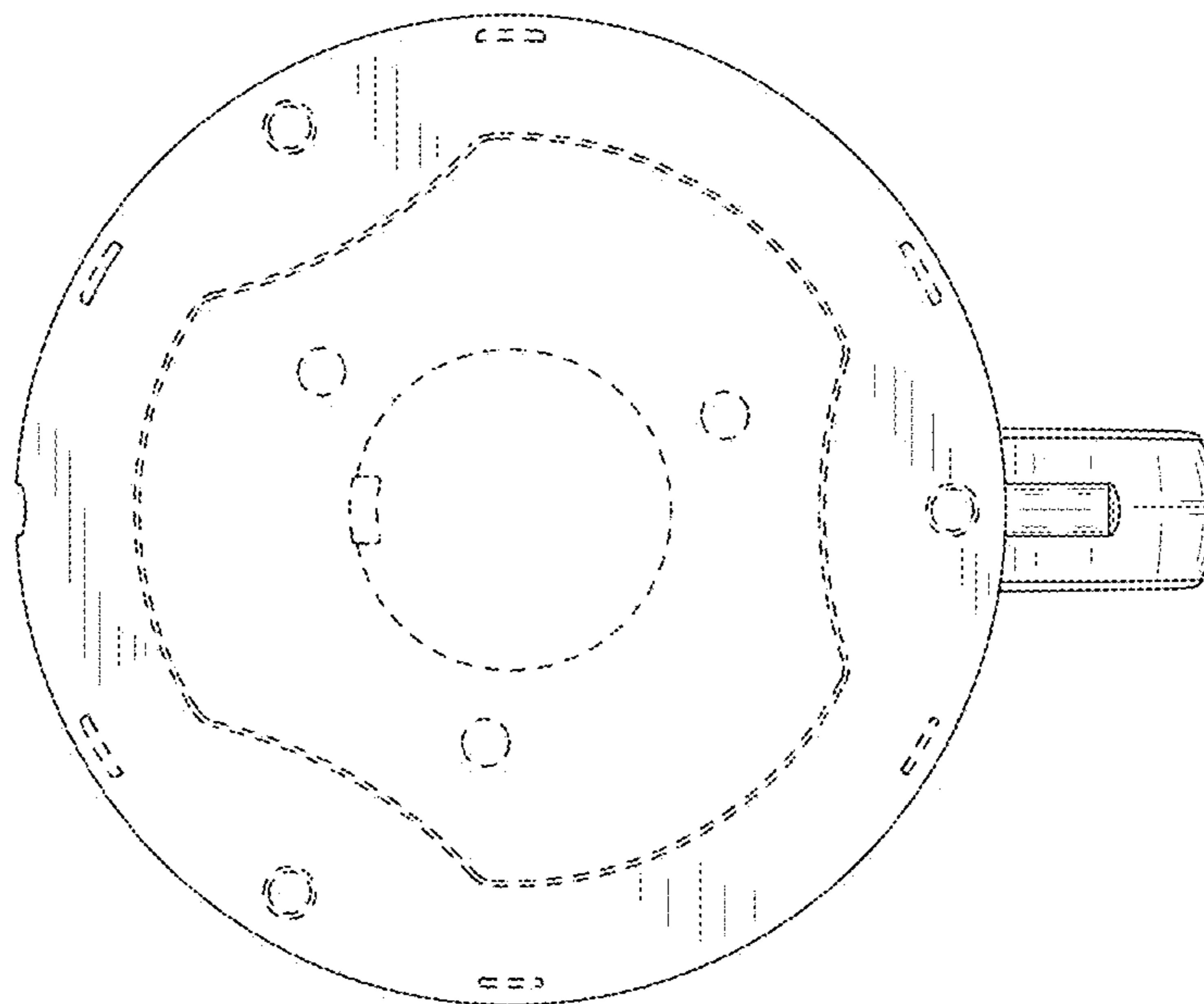


FIG. 8