



US00D764215S

(12) **United States Design Patent**
Kirar

(10) **Patent No.:** **US D764,215 S**

(45) **Date of Patent:** **** Aug. 23, 2016**

(54) **CHAIR**

(71) Applicant: **The McGuire Furniture Company**, San Francisco, CA (US)

(72) Inventor: **Laura Kirar**, New York, NY (US)

(73) Assignee: **KOHLER INTERIORS FURNITURE COMPANY**, Hickory, NC (US)

(**) Term: **14 Years**

(21) Appl. No.: **29/514,506**

(22) Filed: **Jan. 13, 2015**

Related U.S. Application Data

(62) Division of application No. 29/468,745, filed on Oct. 2, 2013, now Pat. No. Des. 722,441.

(51) **LOC (10) Cl.** **06-01**

(52) **U.S. Cl.**
USPC **D6/717.2**

(58) **Field of Classification Search**
USPC D6/334, 335, 336, 379, 381, 369, 717,
D6/717.2, 716; 297/94, 118, 232, 445.1,
297/448.1, DIG. 7
CPC A47C 17/00; A47C 17/02; A47C 17/12;
A47C 17/18; A47C 7/021; A47C 31/00;
A47C 3/16

See application file for complete search history.

(56) **References Cited**

U.S. PATENT DOCUMENTS

D327,583 S	7/1992	Dettinger	
D329,543 S	9/1992	Shields	
D335,779 S *	5/1993	Newhouse	D6/334
D337,450 S	7/1993	Dettinger	
D379,269 S	5/1997	Hutton	
D412,408 S	8/1999	Navone	
D416,717 S *	11/1999	Chalmers	D6/370
D417,104 S *	11/1999	Chalmers	D6/370

D421,853 S	3/2000	Black
D422,422 S	4/2000	Black
D431,117 S	9/2000	Hutton
D431,118 S	9/2000	Hutton
D465,341 S	11/2002	Hutton
D466,312 S	12/2002	Hutton
D473,723 S	4/2003	Pesso
D486,652 S	2/2004	Nemeth
D504,781 S	5/2005	Suzuki et al.
D509,370 S	9/2005	Natuzzi
D533,365 S	12/2006	Martin
D536,541 S	2/2007	Kreiss
D546,570 S	7/2007	Kreiss
D549,470 S	8/2007	Hutton

(Continued)

Primary Examiner — Sandra Snapp

(74) *Attorney, Agent, or Firm* — Foley & Lardner LLP

(57) **CLAIM**

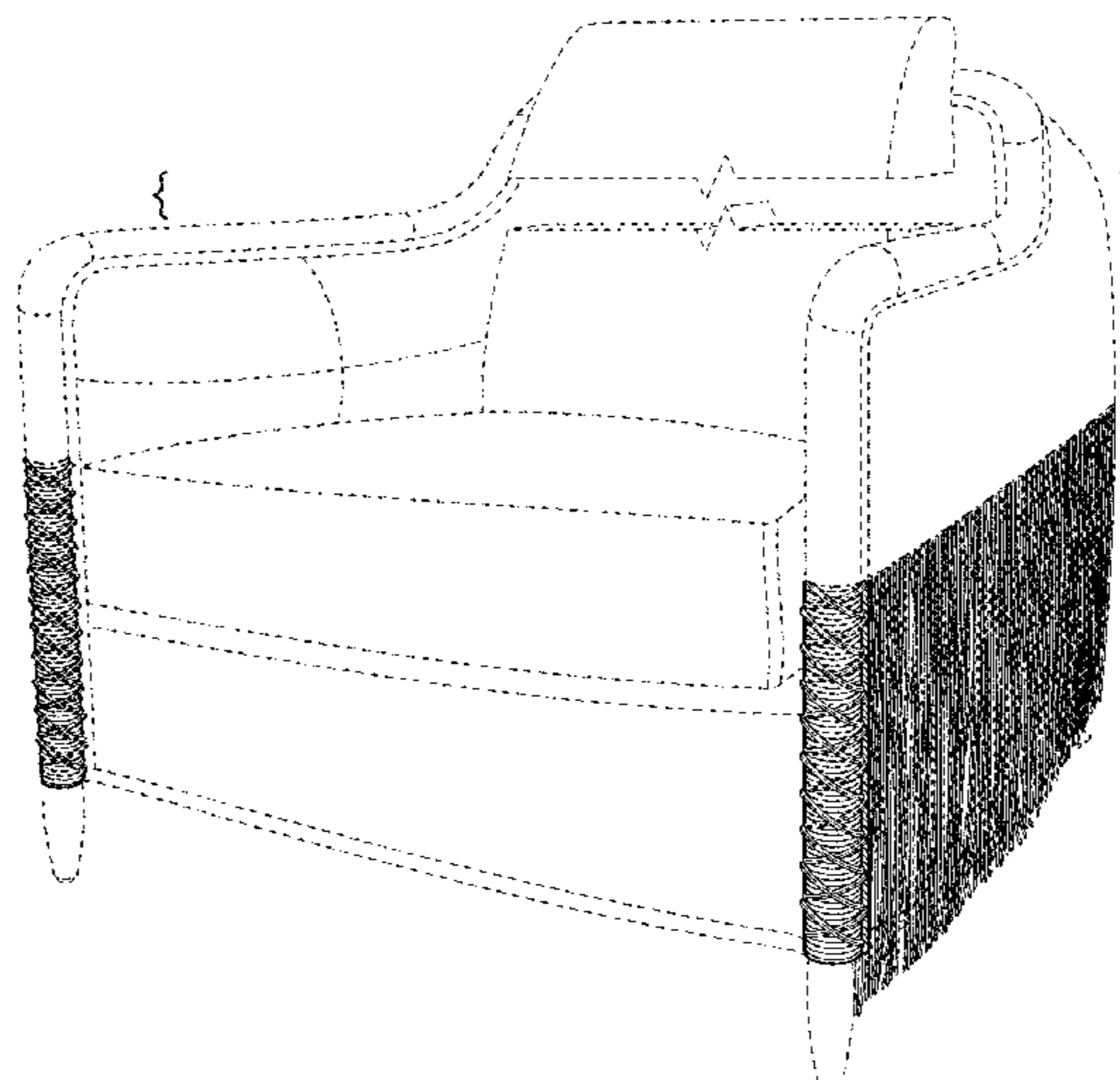
I claim the ornamental design for a chair, as shown and described.

DESCRIPTION

FIG. 1 is a top, front, right perspective view of an embodiment;
FIG. 2 is a front elevation view thereof;
FIG. 3 is a rear elevation view thereof;
FIG. 4 is a left elevation view thereof;
FIG. 5 is a right elevation view thereof;
FIG. 6 is a top plan view thereof; and,
FIG. 7 is a bottom plan view thereof.

The ornamental design which is claimed is shown in solid lines in the drawings. The broken lines in the drawings are for illustrative purposes only and form no part of the claimed design. Broken lines formed by equal length dashes show unclaimed portions of the design. Broken lines formed of unequal length dashes (i.e., dash-dot) show boundaries between claimed and unclaimed portions of the design. Lines having a jagged element are not part of the claimed design and show that no particular length of the portion is claimed.

1 Claim, 7 Drawing Sheets



(56)

References Cited

U.S. PATENT DOCUMENTS

D569,111 S 5/2008 Swanson
D580,664 S 11/2008 Cramer et al.
D581,690 S * 12/2008 Sempe D6/381
D596,414 S 7/2009 Natuzzi
D603,613 S 11/2009 Wilson

D643,224 S 8/2011 Sofield
D657,966 S 4/2012 Foersom et al.
D658,395 S 5/2012 Foersom et al.
D668,462 S 10/2012 Sofield
D672,572 S 12/2012 Carmon
D677,486 S 3/2013 Cramer et al.
D722,441 S * 2/2015 Kirar D6/334
D724,854 S * 3/2015 Lee D6/334

* cited by examiner

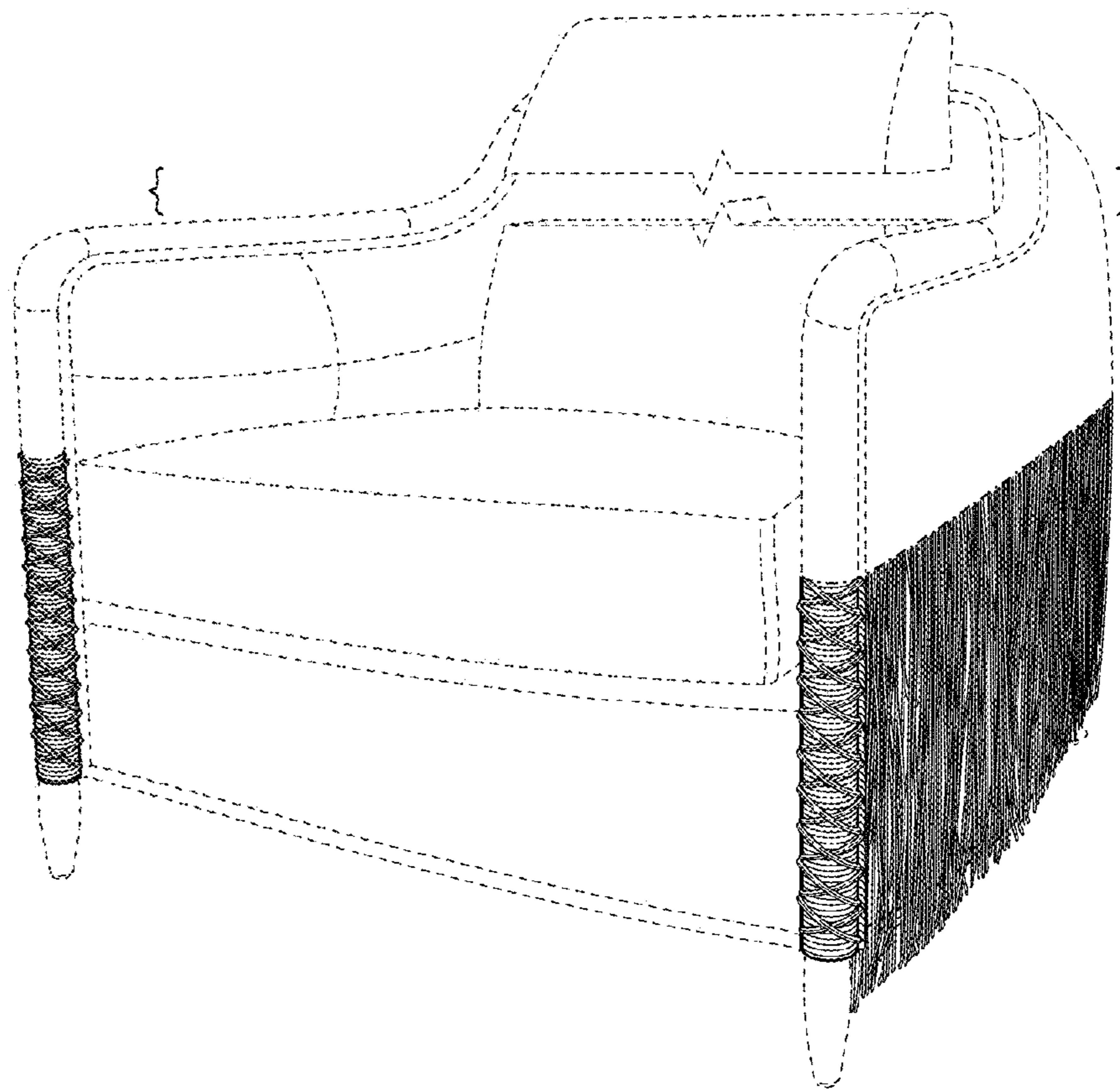


FIG. 1

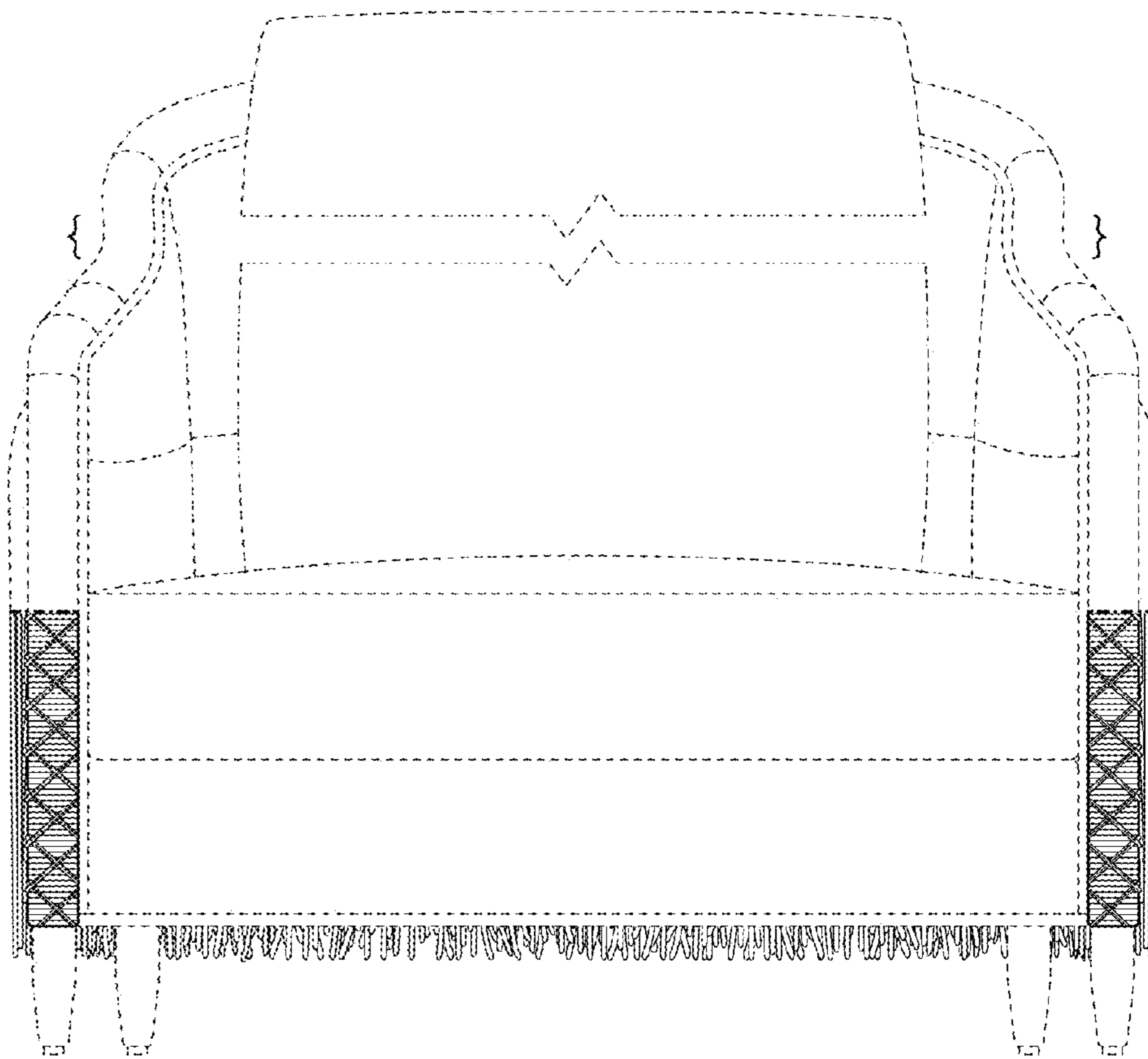


FIG. 2

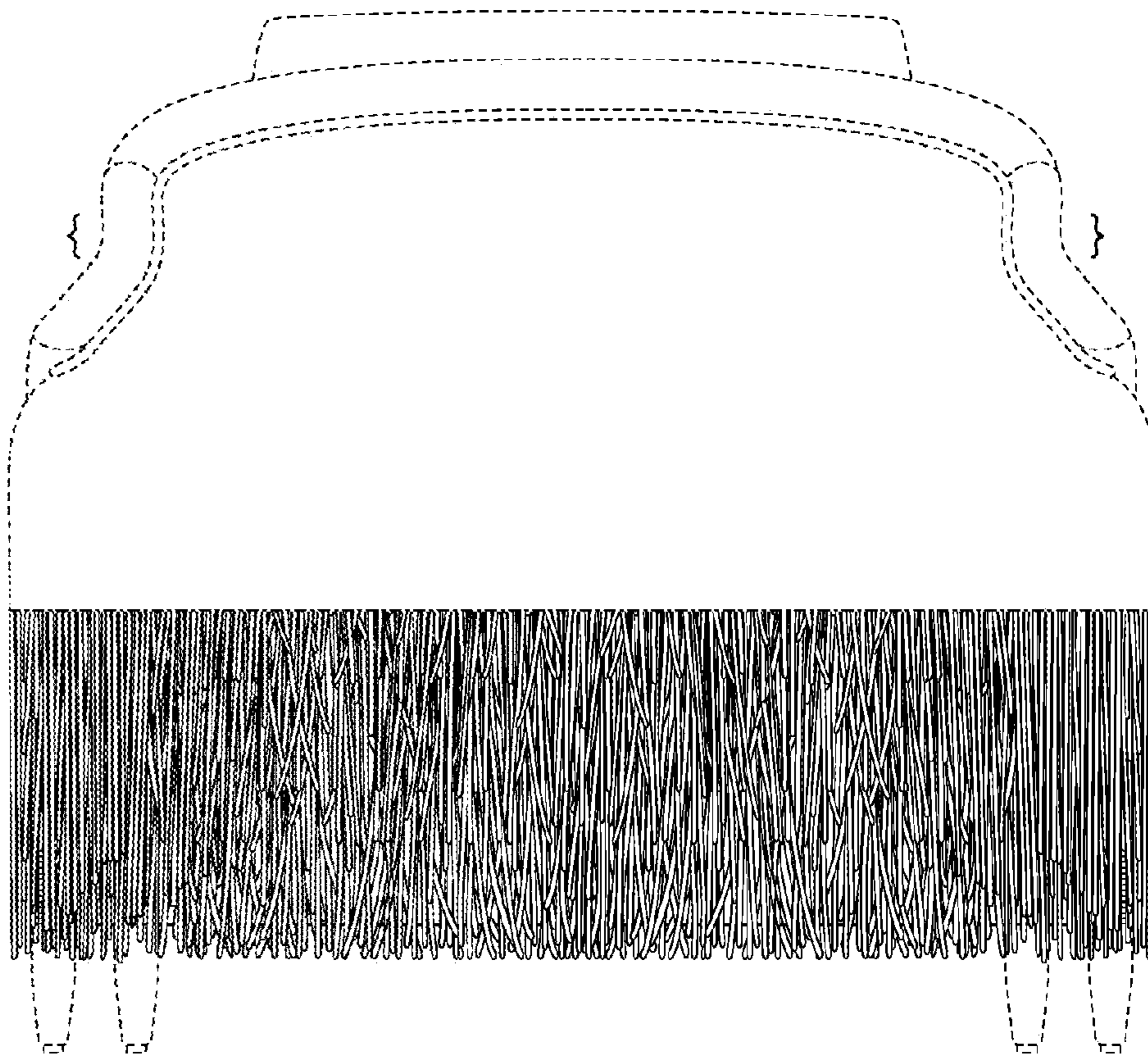


FIG. 3

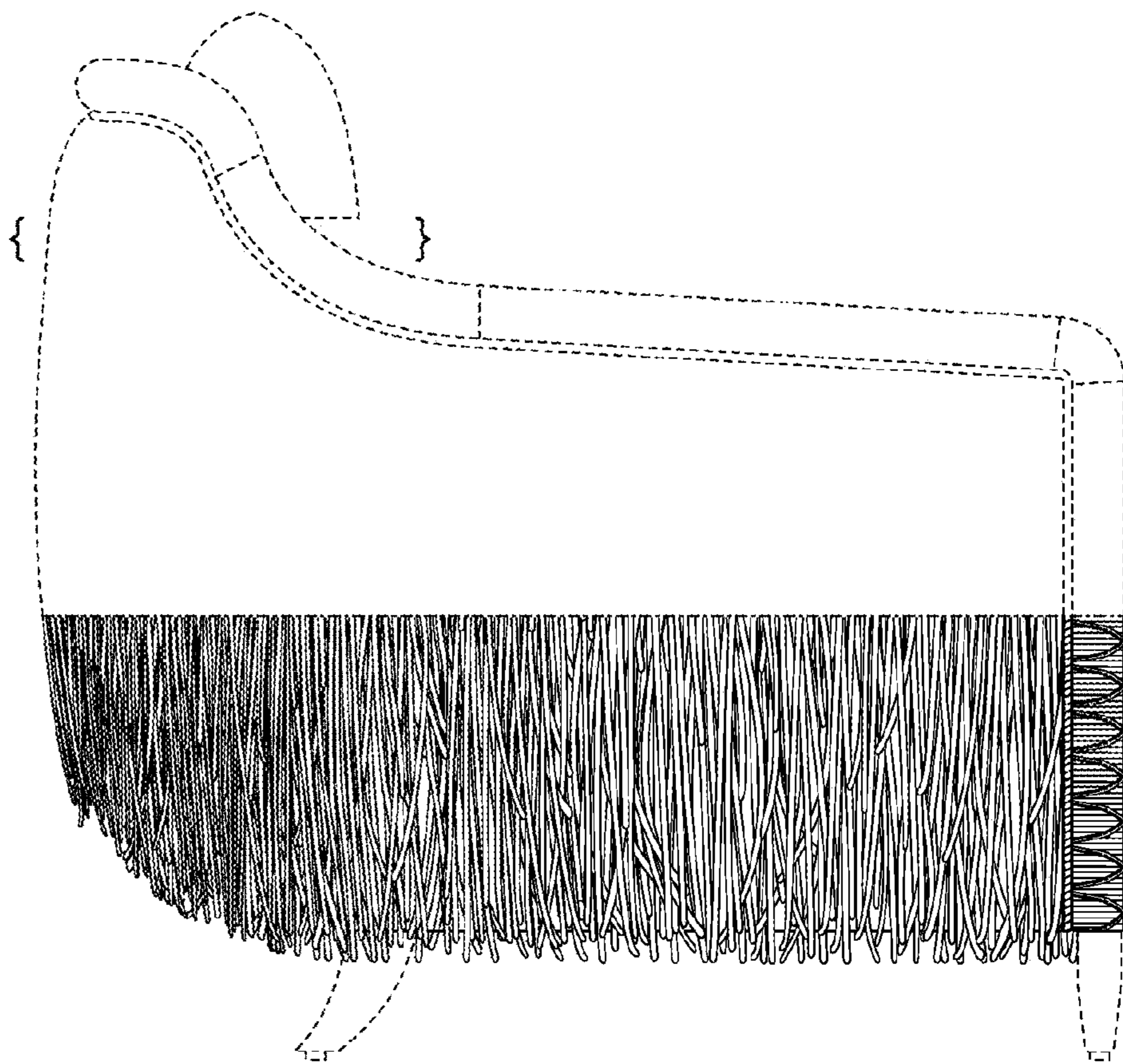


FIG. 4

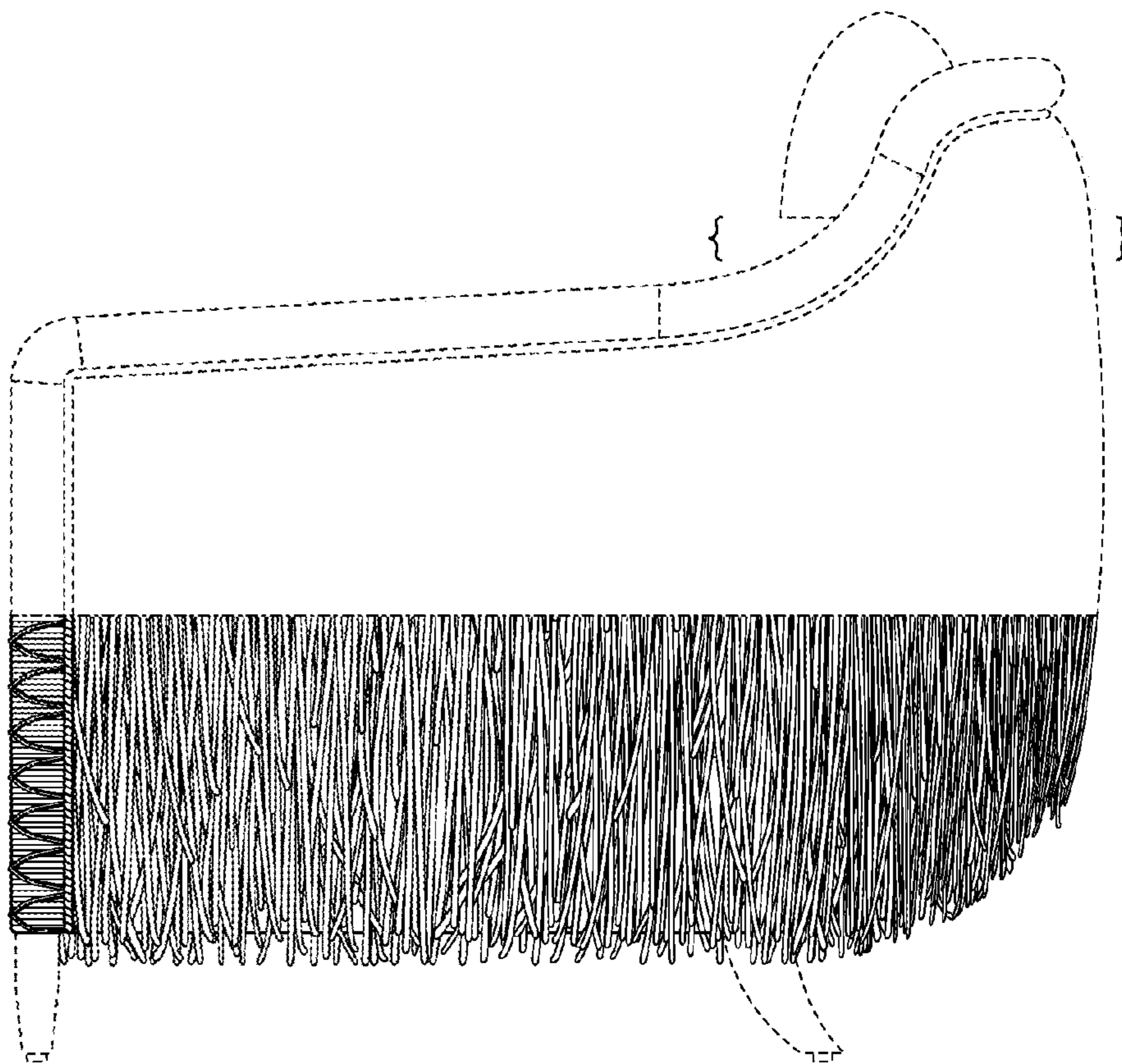


FIG. 5

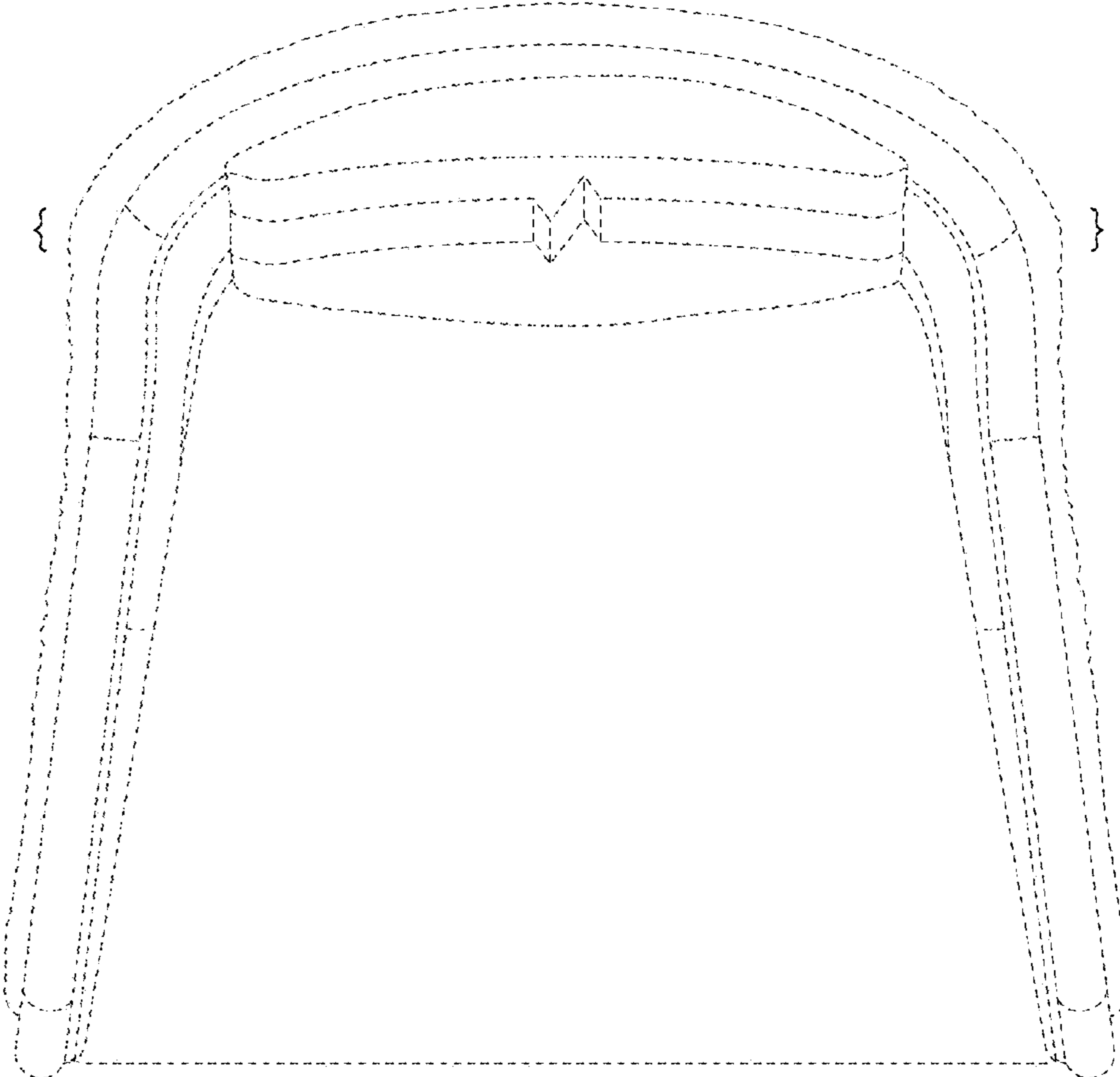


FIG. 6

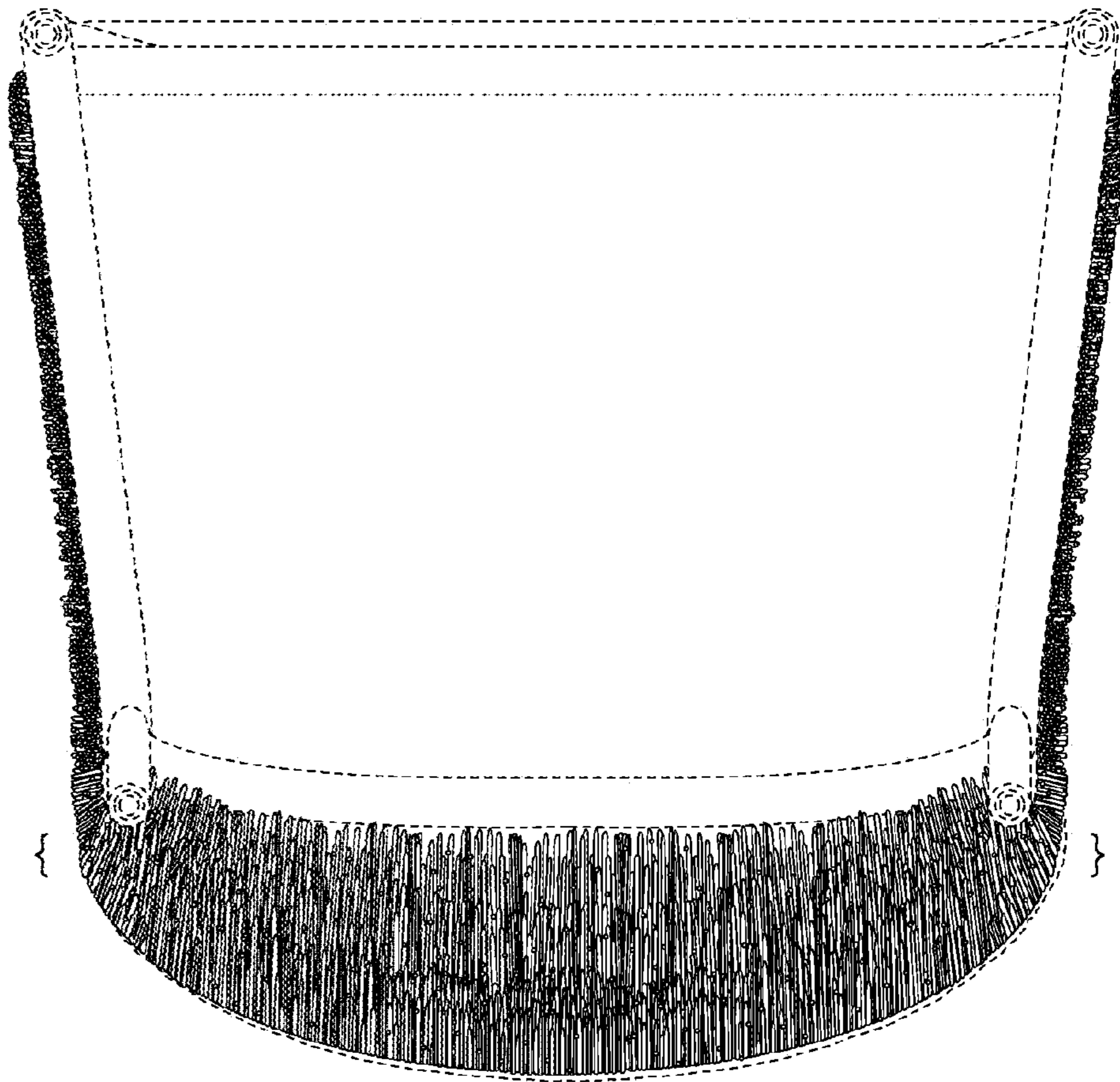


FIG. 7