



US00D764214S

(12) **United States Design Patent**
Smith

(10) **Patent No.:** **US D764,214 S**

(45) **Date of Patent:** **** Aug. 23, 2016**

(54) **MULTI-DIRECTIONAL APPAREL RACK**

(71) Applicant: **Lawrence Edward Smith**, Houston, TX
(US)

(72) Inventor: **Lawrence Edward Smith**, Houston, TX
(US)

(**) Term: **14 Years**

(21) Appl. No.: **29/526,066**

(22) Filed: **May 6, 2015**

(51) **LOC (10) Cl.** **06-06**

(52) **U.S. Cl.**
USPC **D6/680.3**

(58) **Field of Classification Search**
USPC D6/677, 680, 680.1, 680.2, 680.3, 681,
D6/681.1, 681.2, 681.3
CPC A47F 5/0006; A47F 5/0081; A47F 5/02;
A47F 5/03
See application file for complete search history.

(56) **References Cited**

U.S. PATENT DOCUMENTS

| | | | | |
|---------------|---------|----------|-------|-----------------------|
| D156,256 S * | 11/1949 | Kivett | | D6/407 |
| D222,600 S * | 11/1971 | Wells | | D6/679 |
| D230,108 S * | 1/1974 | Sloan | | D6/681.3 |
| D247,401 S * | 3/1978 | Cohen | | D6/680.3 |
| D247,402 S * | 3/1978 | Cohen | | D6/680.3 |
| D265,872 S * | 8/1982 | Rekow | | D6/681.3 |
| D266,210 S * | 9/1982 | Hannecke | | D6/702 |
| D272,783 S * | 2/1984 | Gelles | | D6/681.3 |
| 4,645,081 A * | 2/1987 | Korth | | F16B 7/105 108/141 |

| | | | | |
|----------------|---------|---------------|-------|-----------------------|
| D297,992 S * | 10/1988 | Cohen | | D6/708.24 |
| 4,981,227 A * | 1/1991 | Ingram | | A47B 57/06 211/123 |
| D318,384 S * | 7/1991 | Terrell | | D6/680 |
| D333,741 S * | 3/1993 | Katz | | D6/681.1 |
| D334,670 S * | 4/1993 | Brunner | | D6/681.3 |
| D373,035 S * | 8/1996 | Keller et al. | | D6/680.3 |
| D376,929 S * | 12/1996 | Tranquilli | | D6/679 |
| D457,751 S * | 5/2002 | Stafford | | D6/680.1 |
| D474,919 S * | 5/2003 | Smith | | D6/681.3 |
| 6,698,598 B1 * | 3/2004 | Appenteng | | A47F 5/02 211/168 |
| D530,102 S * | 10/2006 | Vincent | | D6/301 |
| D586,129 S * | 2/2009 | van der Lande | | D6/301 |
| 9,107,514 B1 * | 8/2015 | Morieras | | A47F 7/02 |
| D749,879 S * | 2/2016 | Wall | | D6/680.3 |

* cited by examiner

Primary Examiner — Kelley Donnelly

(74) *Attorney, Agent, or Firm* — Kevin Mark Jones

(57) **CLAIM**

The ornamental design for a multi-directional apparel rack, as shown and described.

DESCRIPTION

FIG. 1 is a perspective view of a multi-directional apparel rack with optional top plate.

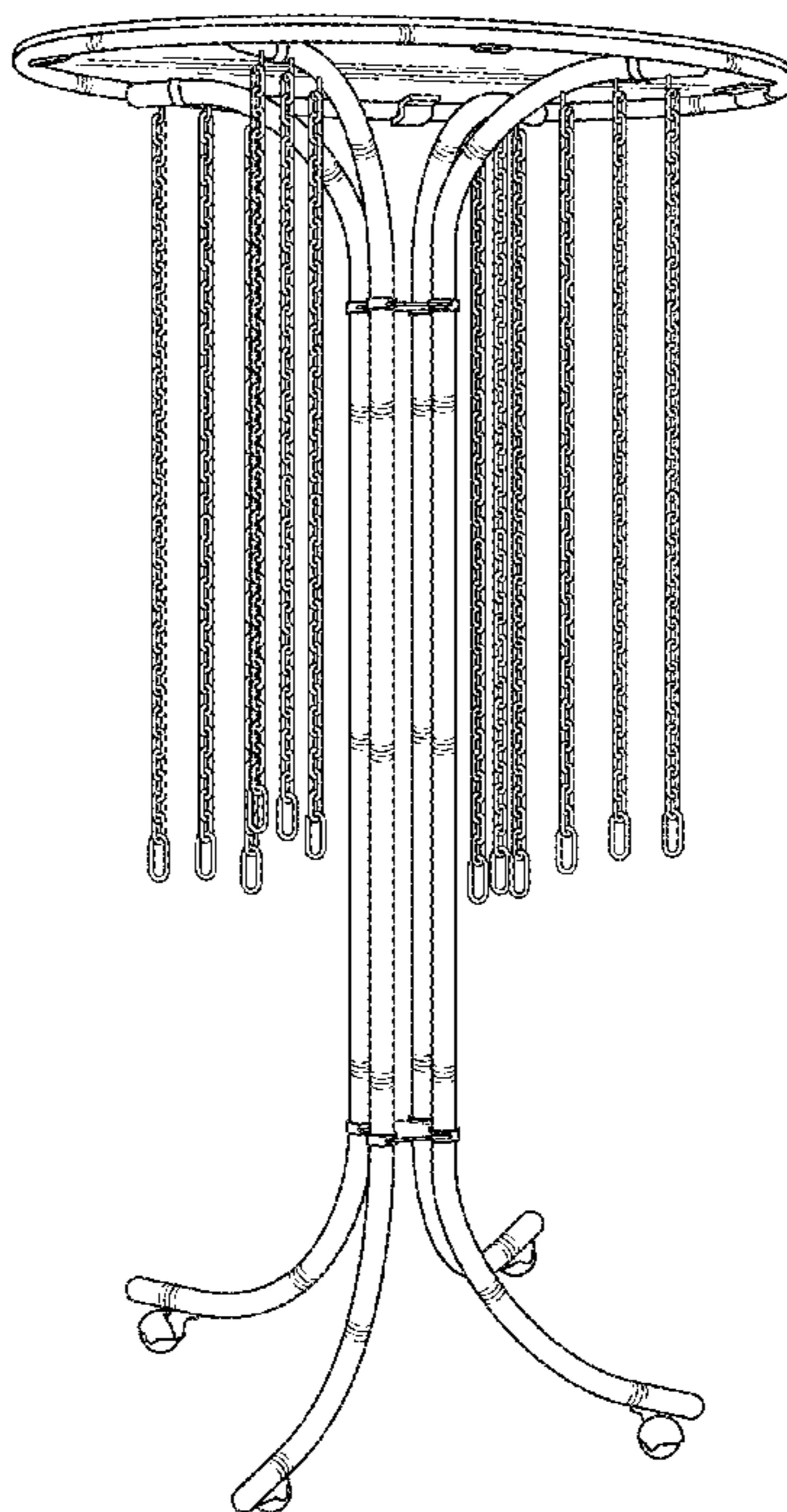
FIG. 2 is a side view of a multi-directional apparel rack.

FIG. 3 is another side view of a multi-directional apparel rack thereof;

FIG. 4 is a top view of a multi-directional apparel rack with optional top plate; and,

FIG. 5 is a bottom view of a multi-directional apparel rack with optional top plate.

1 Claim, 4 Drawing Sheets



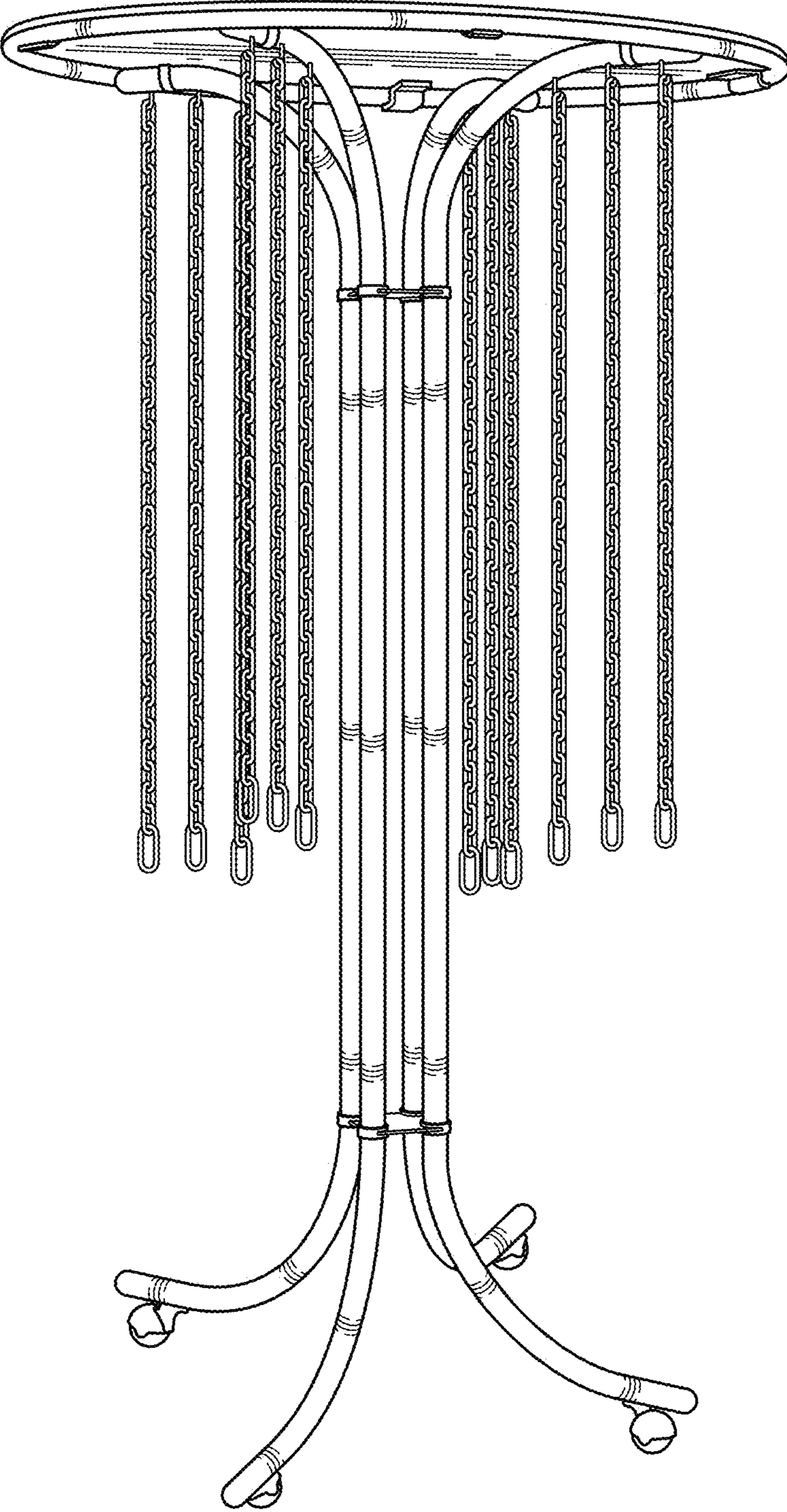


FIG. 1

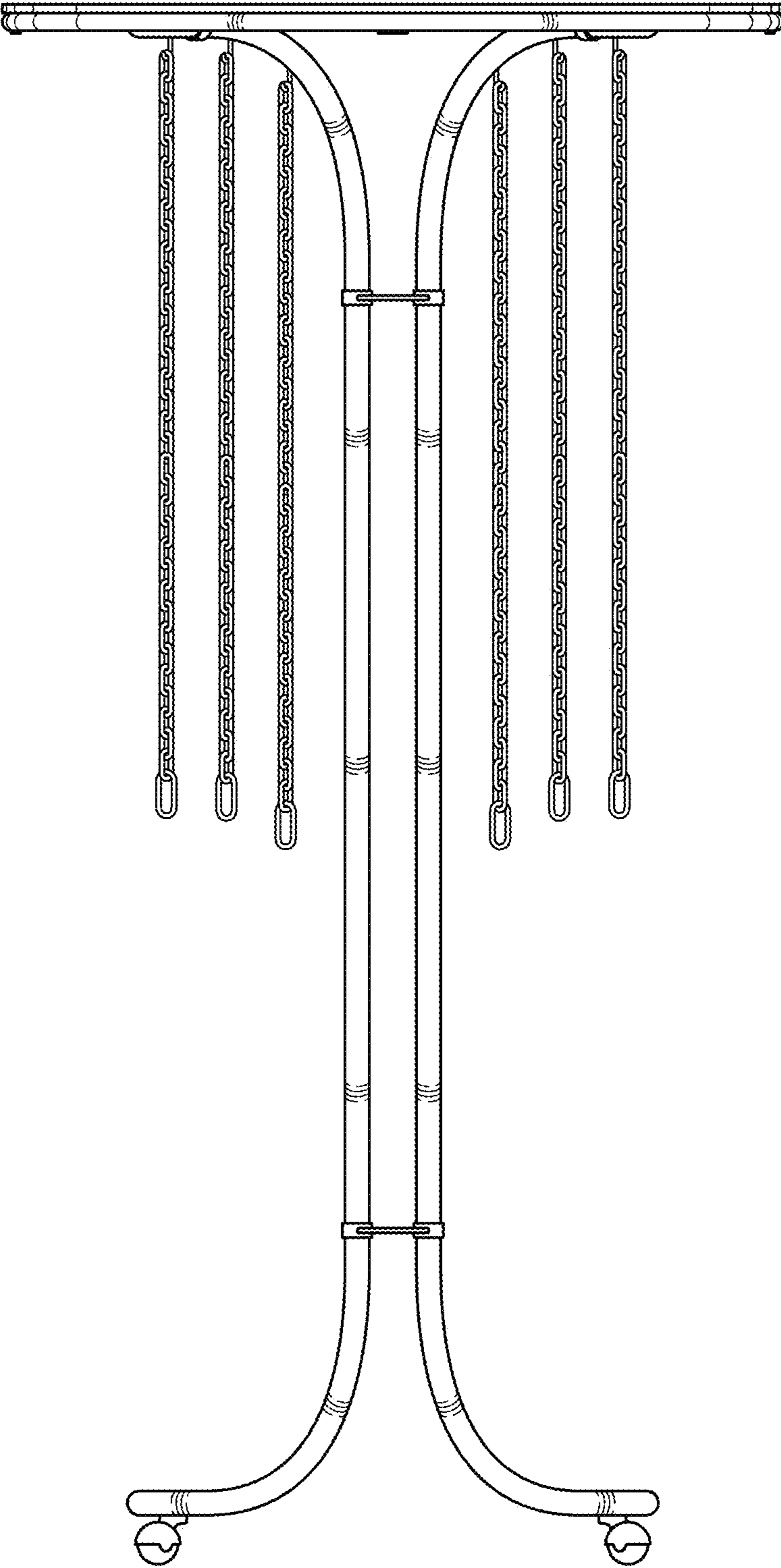


FIG. 2

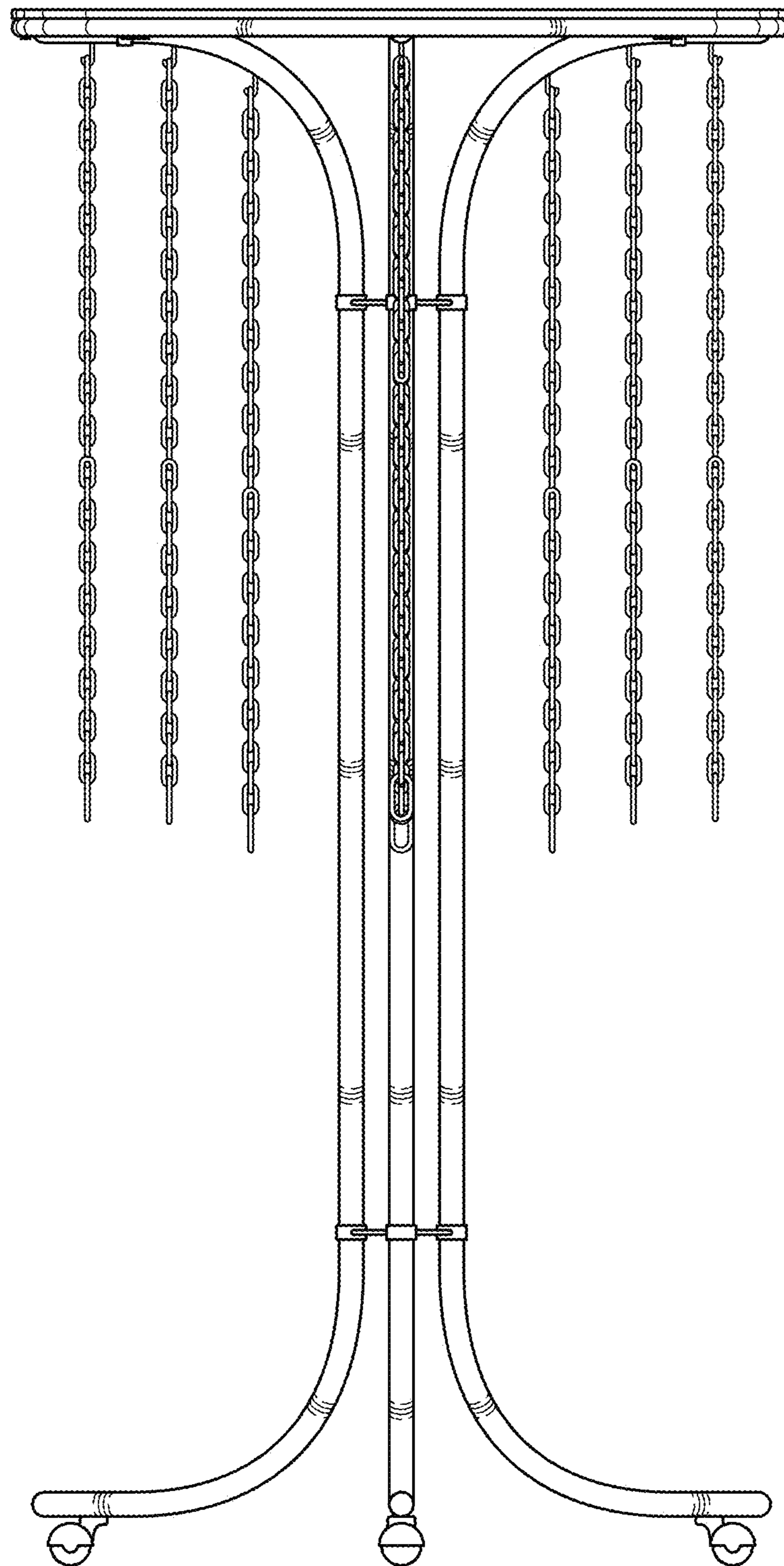


FIG. 3

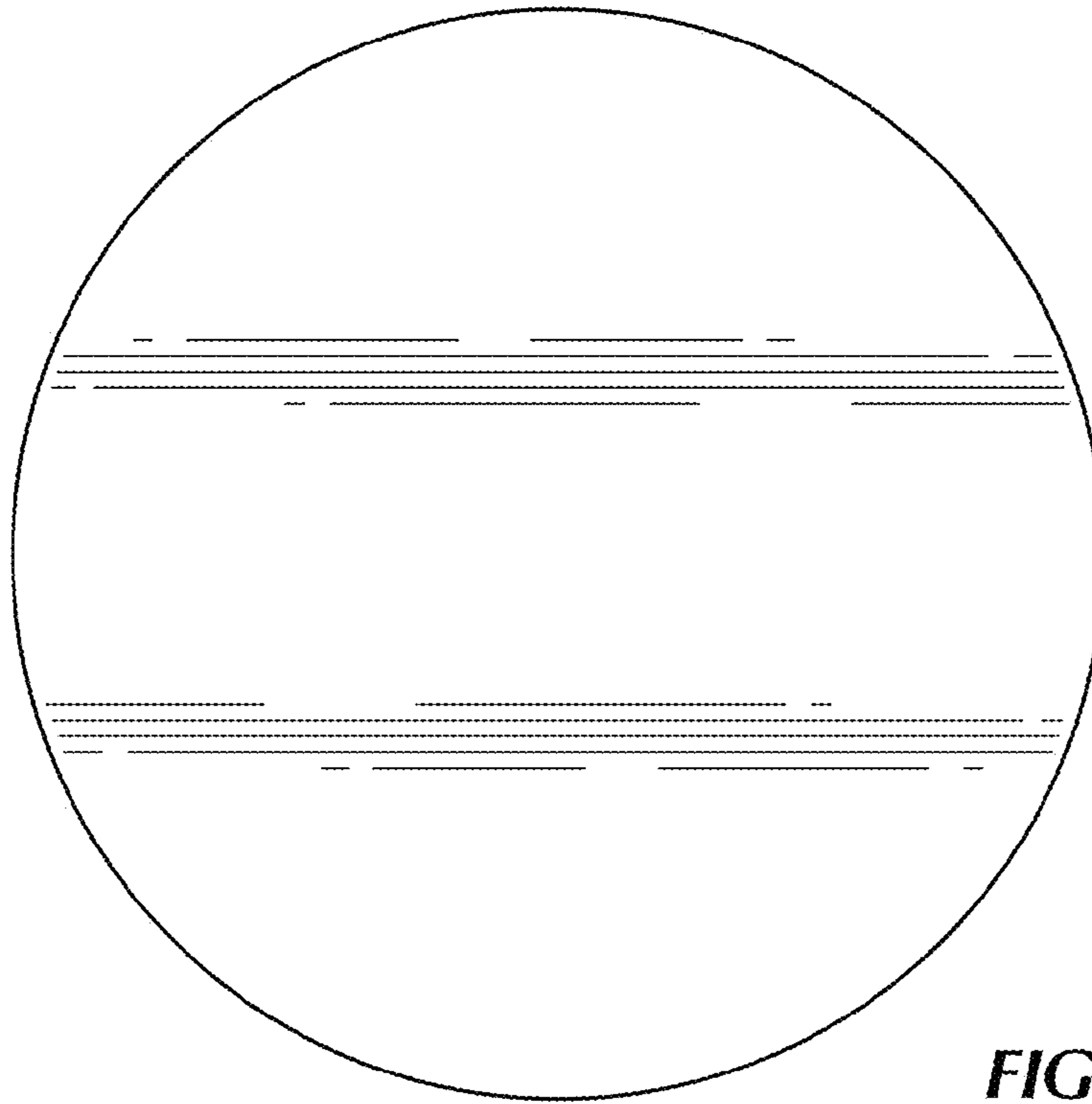


FIG. 4

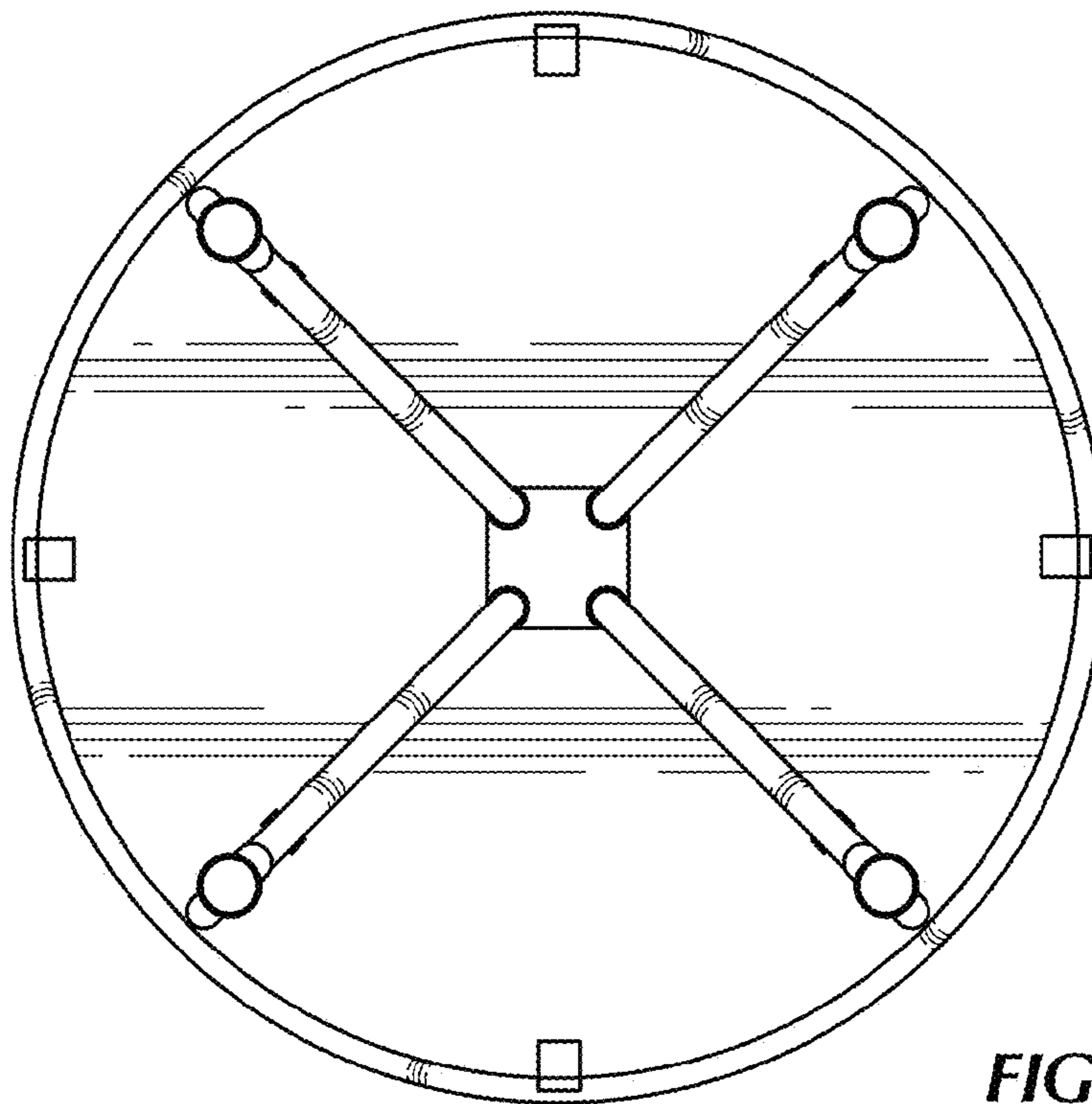


FIG. 5