

US00D764211S

(12) **United States Design Patent**
Morgan

(10) **Patent No.:** **US D764,211 S**

(45) **Date of Patent:** **** Aug. 23, 2016**

(54) **FISHING ROD RACK**

(71) Applicant: **Scott Morgan**, Hamilton (CA)

(72) Inventor: **Scott Morgan**, Hamilton (CA)

(**) Term: **14 Years**

(21) Appl. No.: **29/525,998**

(22) Filed: **May 5, 2015**

(51) **LOC (10) Cl.** **06-06**

(52) **U.S. Cl.**
USPC **D6/552**

(58) **Field of Classification Search**
USPC D6/552, 553, 567; D22/109, 147;
43/21; 211/13.1, 60.1, 64, 70.2, 70.6,
211/70.8; 248/512, 520
CPC A01K 97/10; A01K 97/12; A01K 97/125;
A01K 99/00; A47F 7/0021
See application file for complete search history.

(56) **References Cited**

U.S. PATENT DOCUMENTS

D372,956 S *	8/1996	Mills	D22/147
D414,239 S *	9/1999	Lovelady	D22/147
D438,281 S *	2/2001	Webster	D22/147
D461,522 S *	8/2002	James	D22/147

D504,933 S *	5/2005	Hopwood	D22/147
D507,817 S *	7/2005	Mitchell	D22/147
D632,912 S *	2/2011	Lamb	D6/552
2013/0333268 A1 *	12/2013	Henry, Jr.	A01K 97/10 43/4.5

* cited by examiner

Primary Examiner — Wan Laymon

Assistant Examiner — Mark Booker

(57) **CLAIM**

The ornamental design for a fishing rod rack, as shown and described.

DESCRIPTION

FIG. 1 is a front plan view of the present design a fishing rod rack.
 FIG. 2 is left side plan view of the fishing rod rack shown in FIG. 1.
 FIG. 3 is a top plan view of the fishing rod rack shown in FIG. 1.
 FIG. 4 is a rear plan view of the fishing rod rack shown in FIG. 1.
 FIG. 5 is a front perspective view of the fishing rod rack shown in FIG. 1; and,
 FIG. 6 is a bottom perspective view of the fishing rod rack shown in FIG. 1.

1 Claim, 6 Drawing Sheets

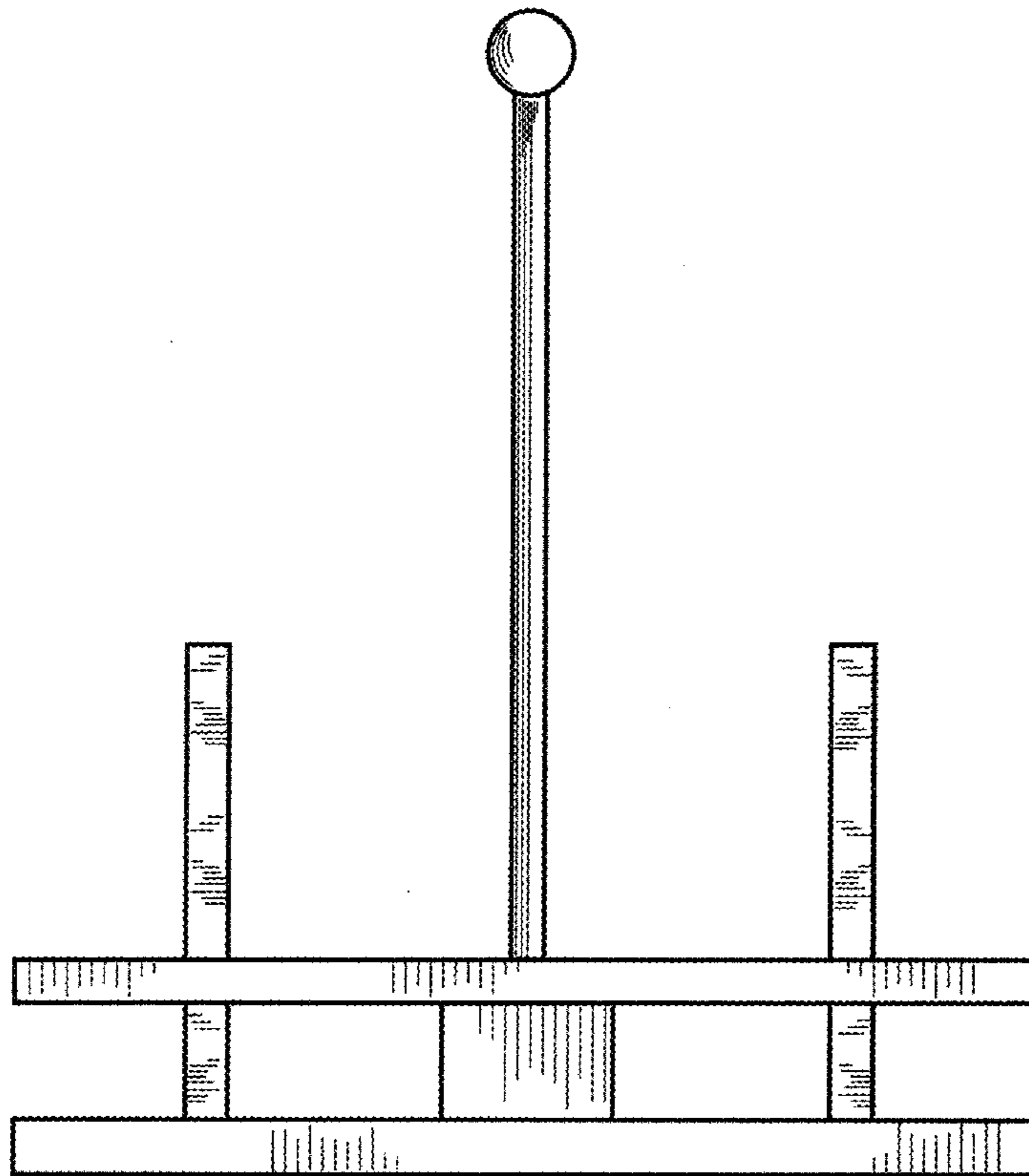


FIG. 1

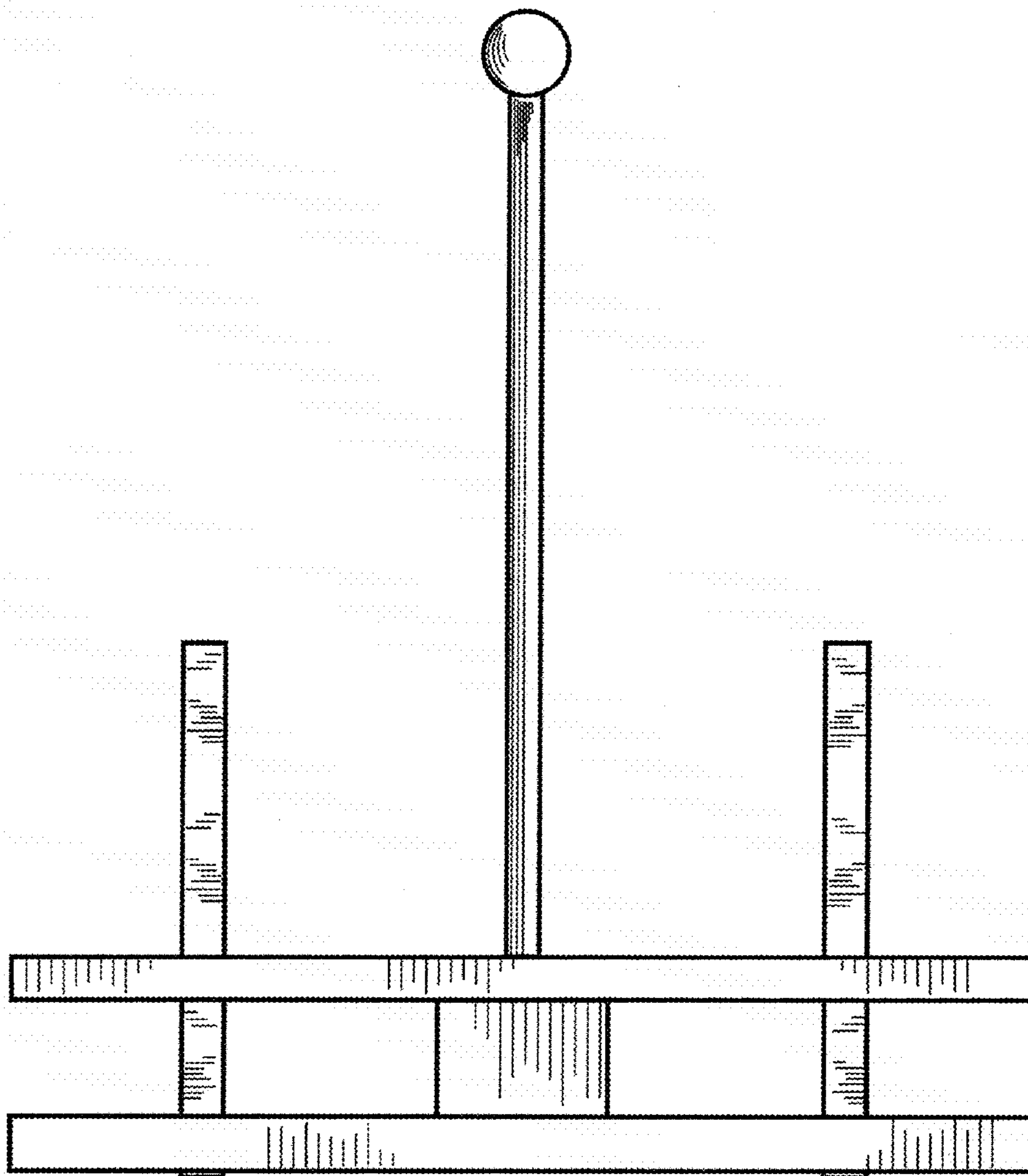


FIG. 2

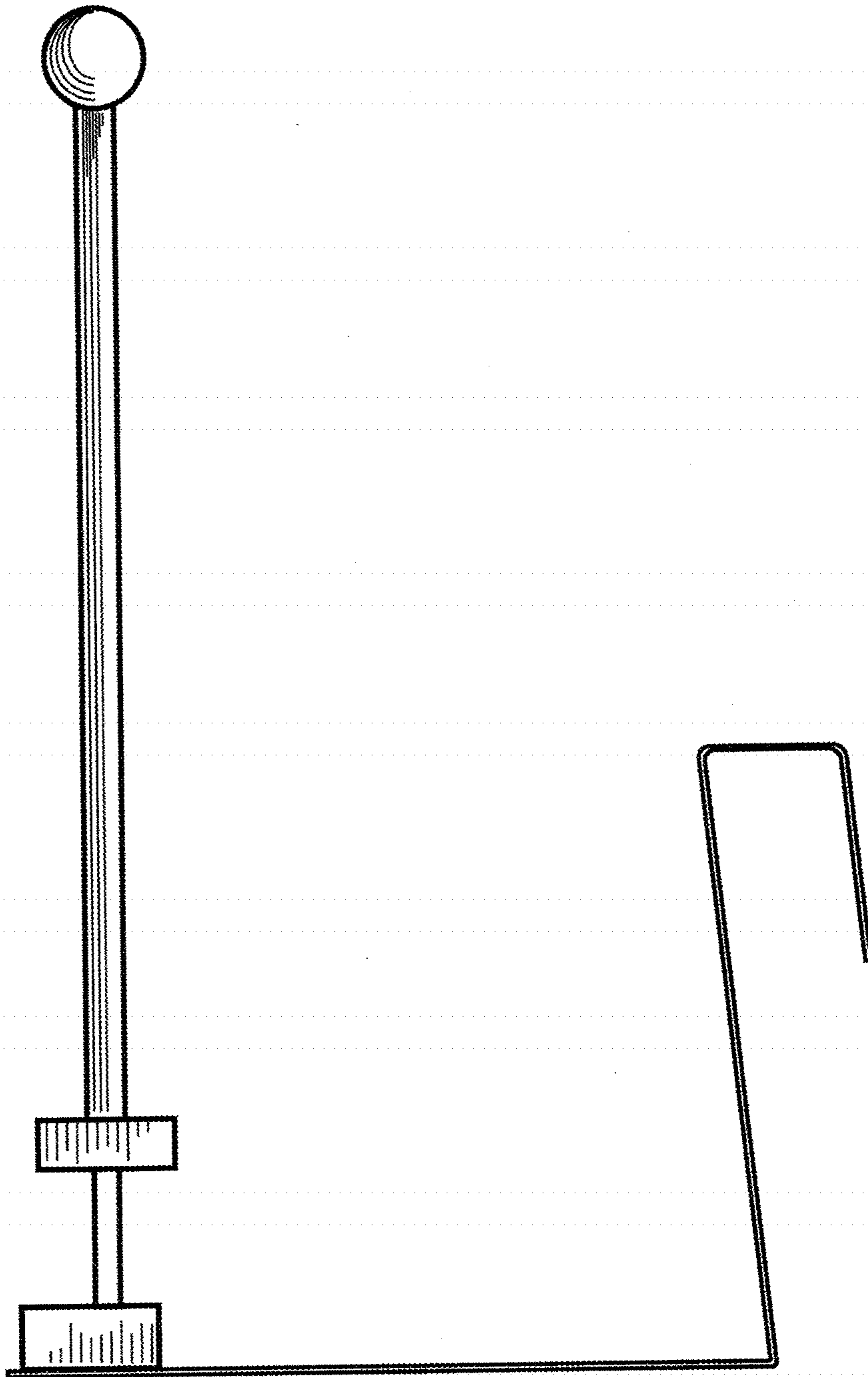


FIG. 3

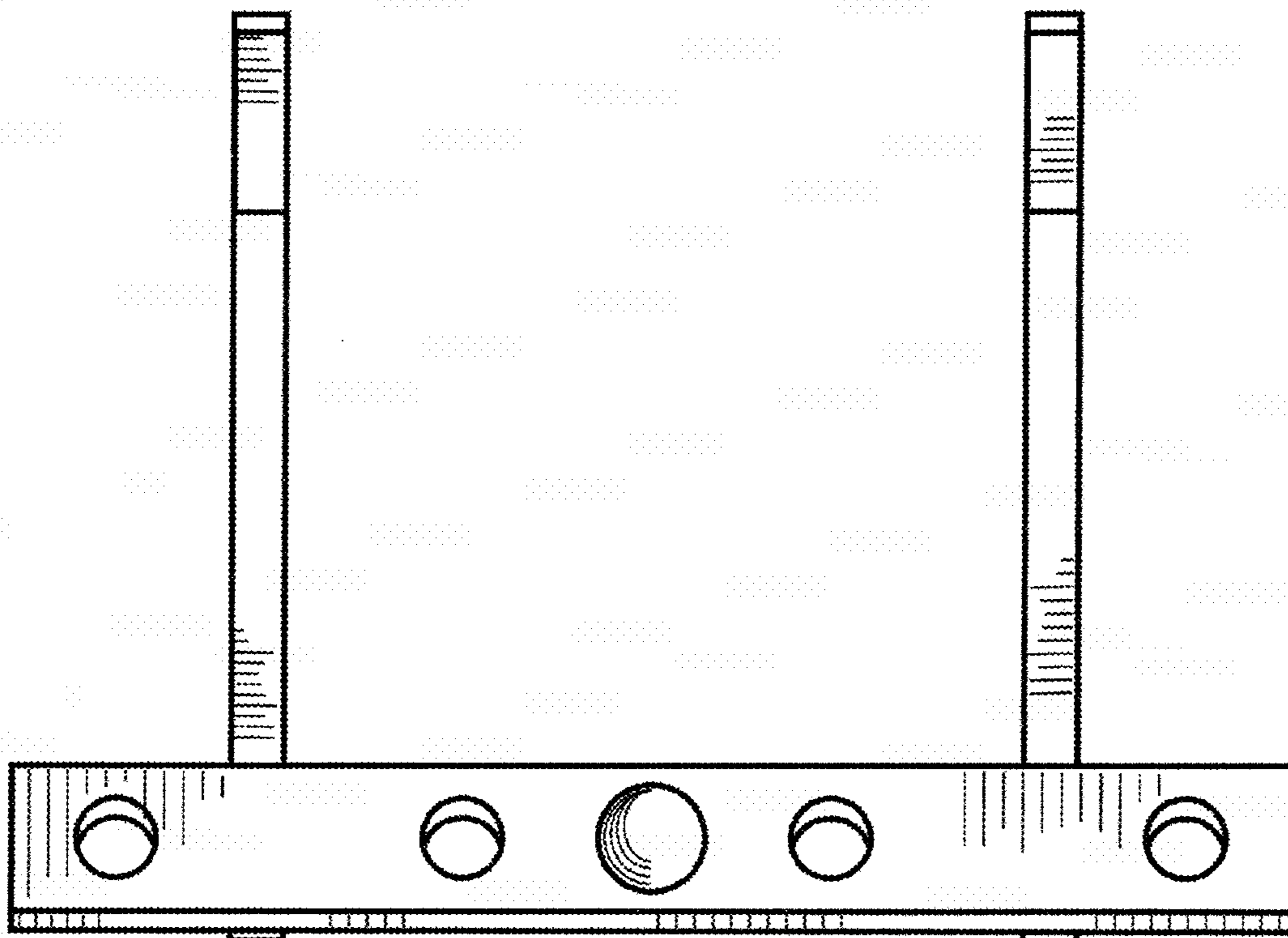


FIG. 4

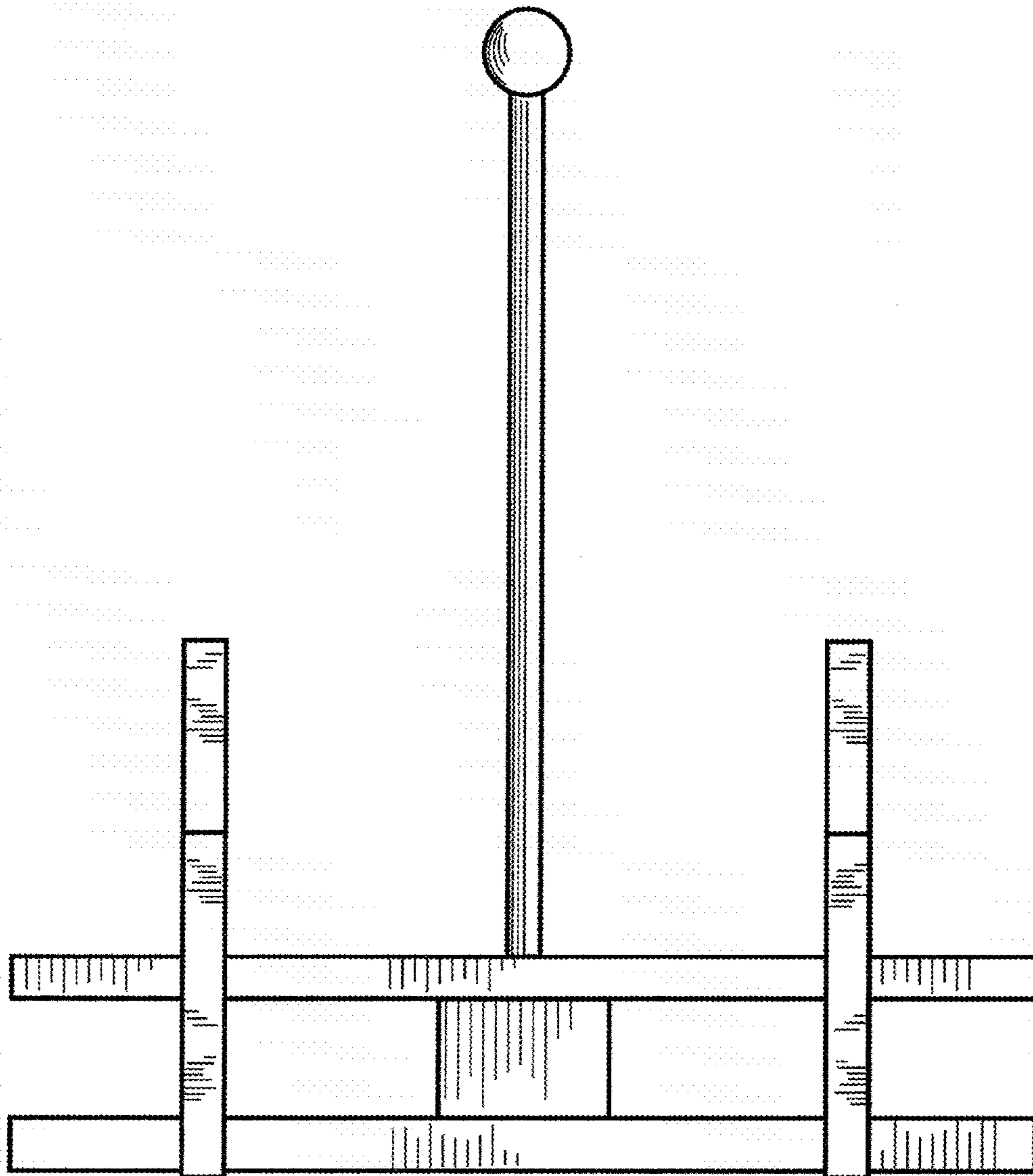


FIG. 5

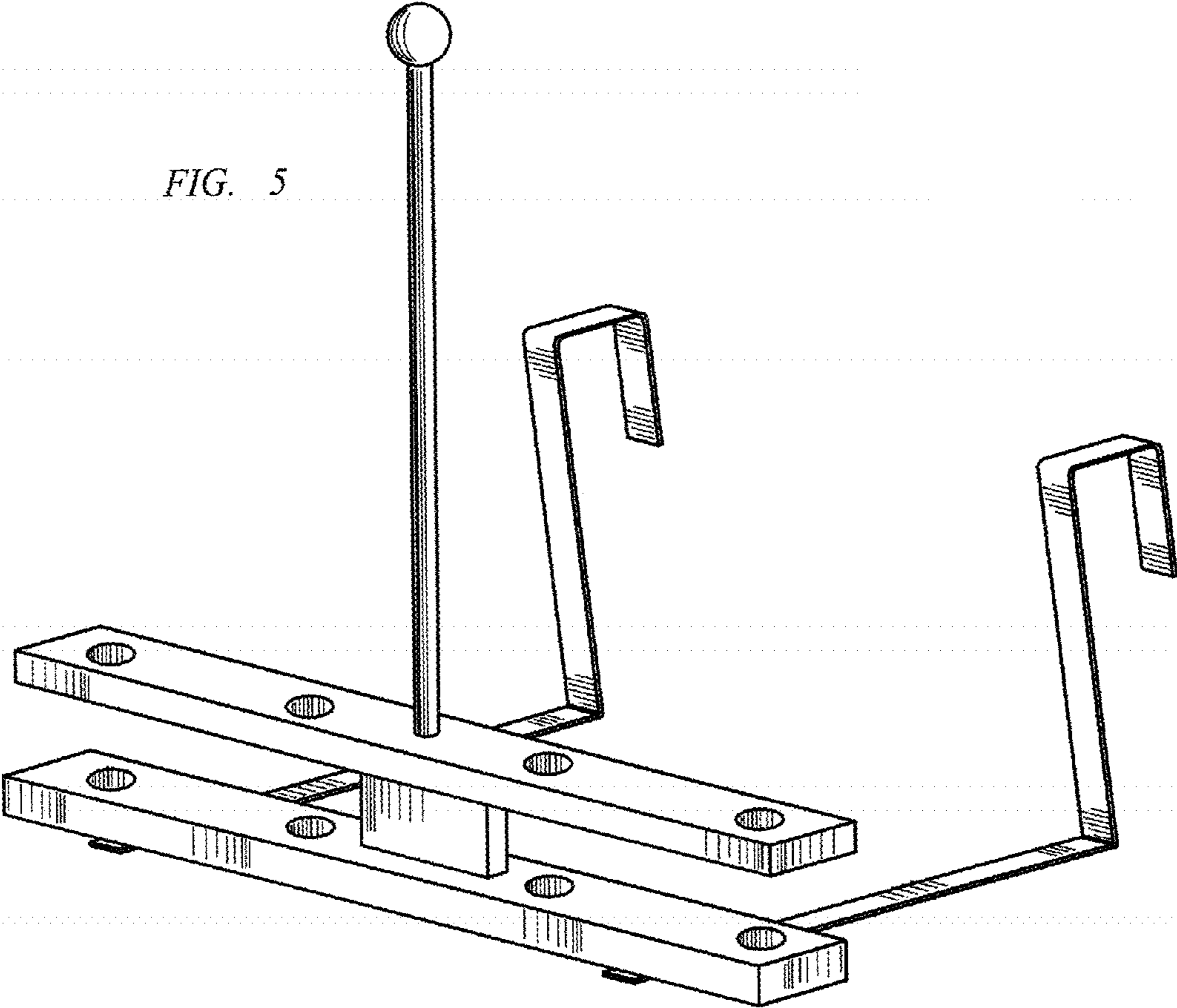


FIG. 6

