



US00D764210S

(12) **United States Design Patent**
Peng

(10) **Patent No.:** **US D764,210 S**

(45) **Date of Patent:** **** Aug. 23, 2016**

(54) **FISHING ROD HOLDER**

(71) Applicant: **I-Sin Peng**, Taichung (TW)

(72) Inventor: **I-Sin Peng**, Taichung (TW)

(73) Assignee: **I-Sin Peng**, Taichung (TW)

(**) Term: **14 Years**

(21) Appl. No.: **29/510,970**

(22) Filed: **Dec. 4, 2014**

(51) **LOC (10) Cl.** **08-08**

(52) **U.S. Cl.**
USPC **D6/552**

(58) **Field of Classification Search**
USPC D6/552; D3/221; D22/147; 43/21.2;
211/70.1, 70.2; 248/516-519, 530,
248/533, 538, 156
CPC A01K 97/10; A01K 97/12; A01K 97/125;
A01K 99/00; A47F 7/0021
See application file for complete search history.

(56) **References Cited**

U.S. PATENT DOCUMENTS

D461,521 S * 8/2002 Krueger D22/147
D483,436 S * 12/2003 Tull D22/147

D604,946 S * 12/2009 Drake D22/147
D605,851 S * 12/2009 Drake D22/147
D727,457 S * 4/2015 Seiders D22/147
D752,176 S * 3/2016 Johns D22/147

* cited by examiner

Primary Examiner — Wan Laymon

Assistant Examiner — Mark Booker

(74) *Attorney, Agent, or Firm* — Yuwen Guo

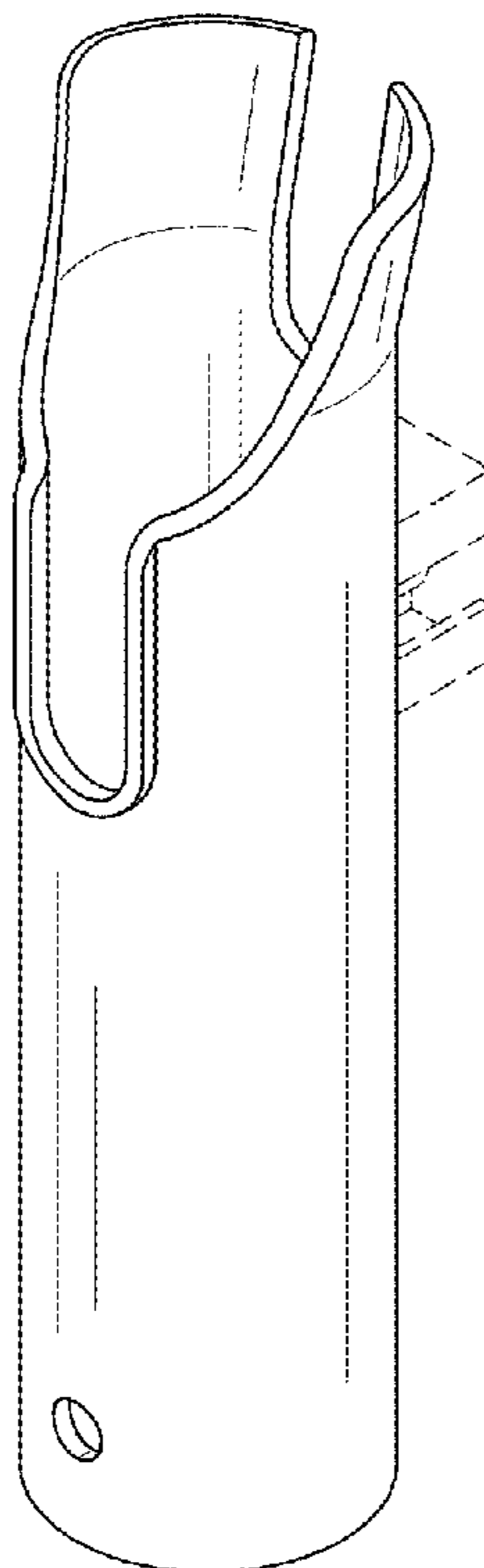
(57) **CLAIM**

The ornamental design for a fishing rod holder, as shown and described.

DESCRIPTION

FIG. 1 is a perspective view of a fishing rod holder, showing my new design;
FIG. 2 is a front view of the fishing rod holder;
FIG. 3 is a rear view of the fishing rod holder;
FIG. 4 is a left side view of the fishing rod holder;
FIG. 5 is a right side view of the fishing rod holder;
FIG. 6 is a top view of the fishing rod holder;
FIG. 7 is a bottom view of the fishing rod holder; and,
FIG. 8 is a view of a fishing rod held in the fishing rod holder.
The broken line showing of structural features is included for the purpose of illustrating non-claim subject matter and forms no part of the claimed design.

1 Claim, 7 Drawing Sheets



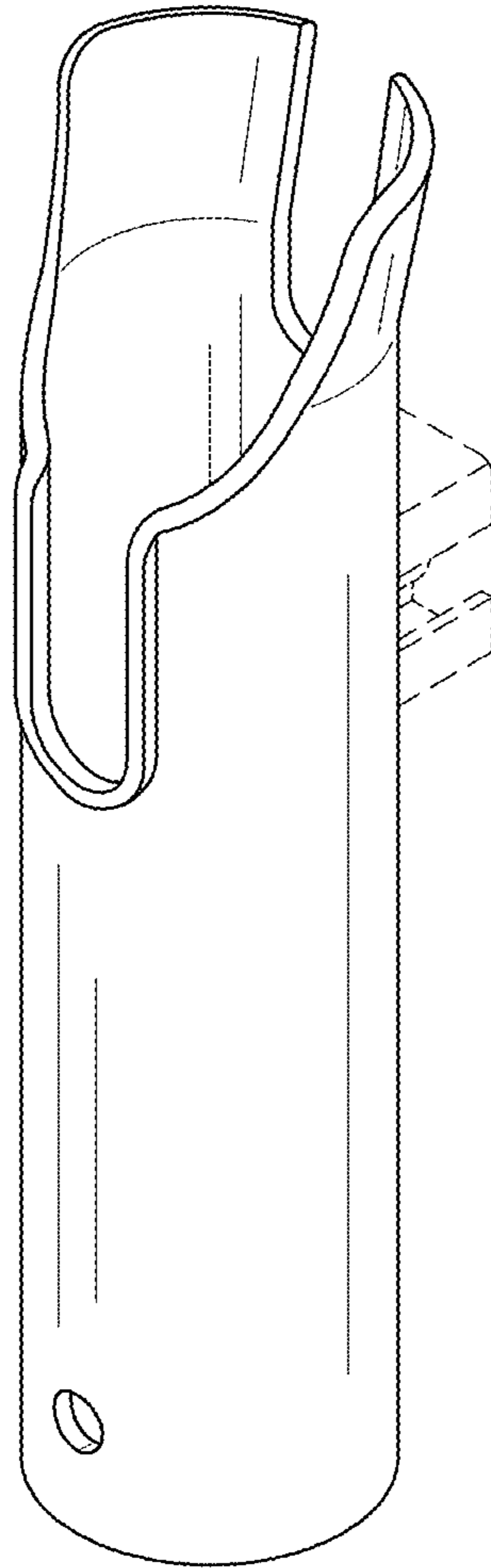


FIG. 1

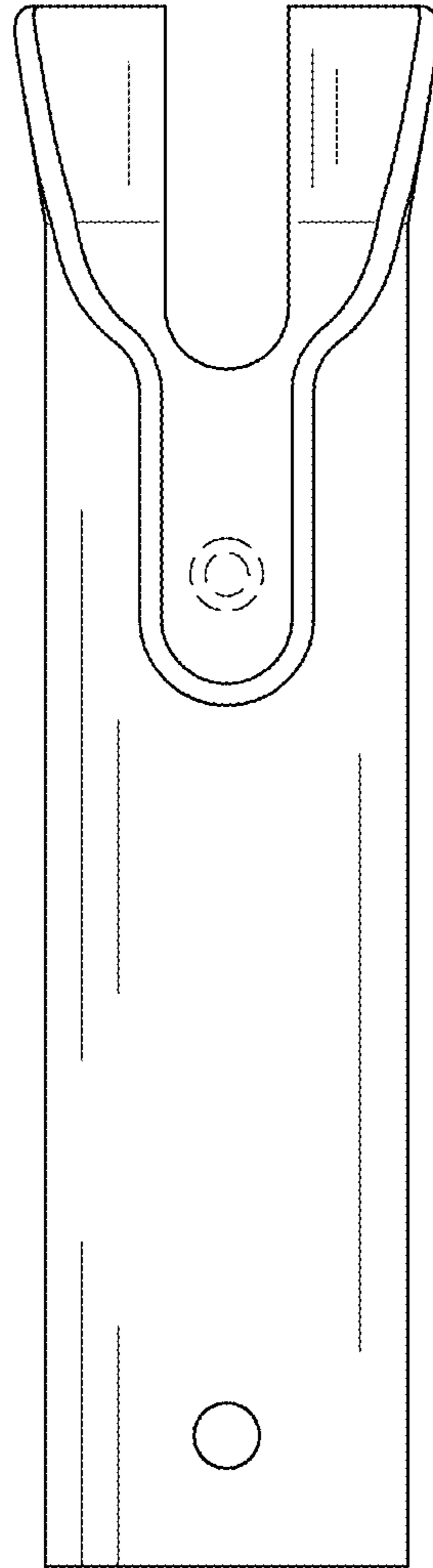


FIG. 2

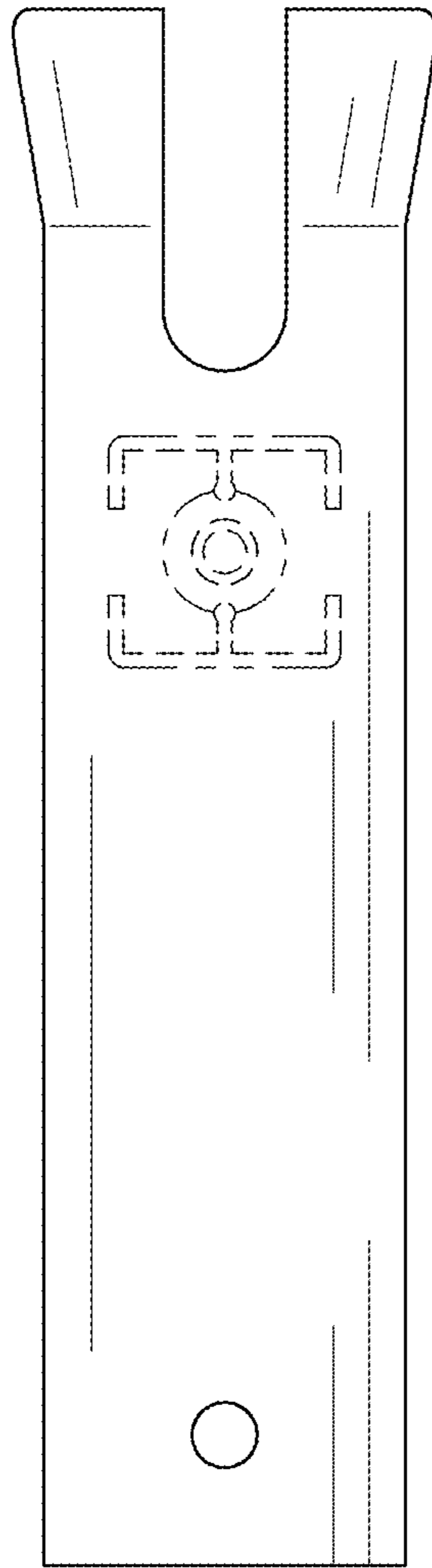


FIG. 3

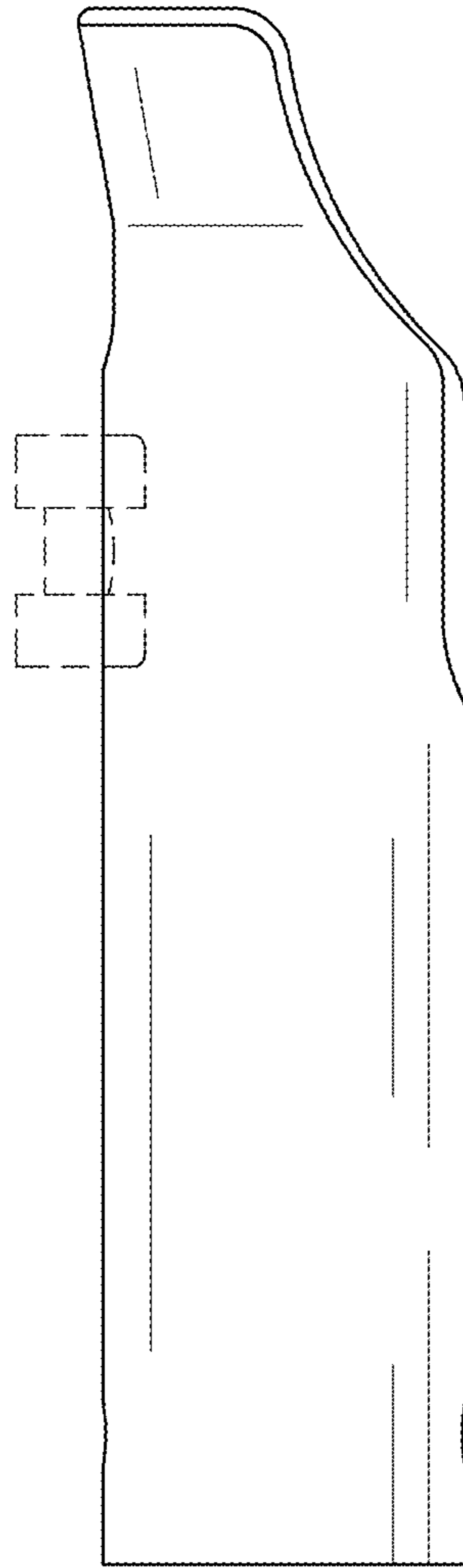


FIG. 4

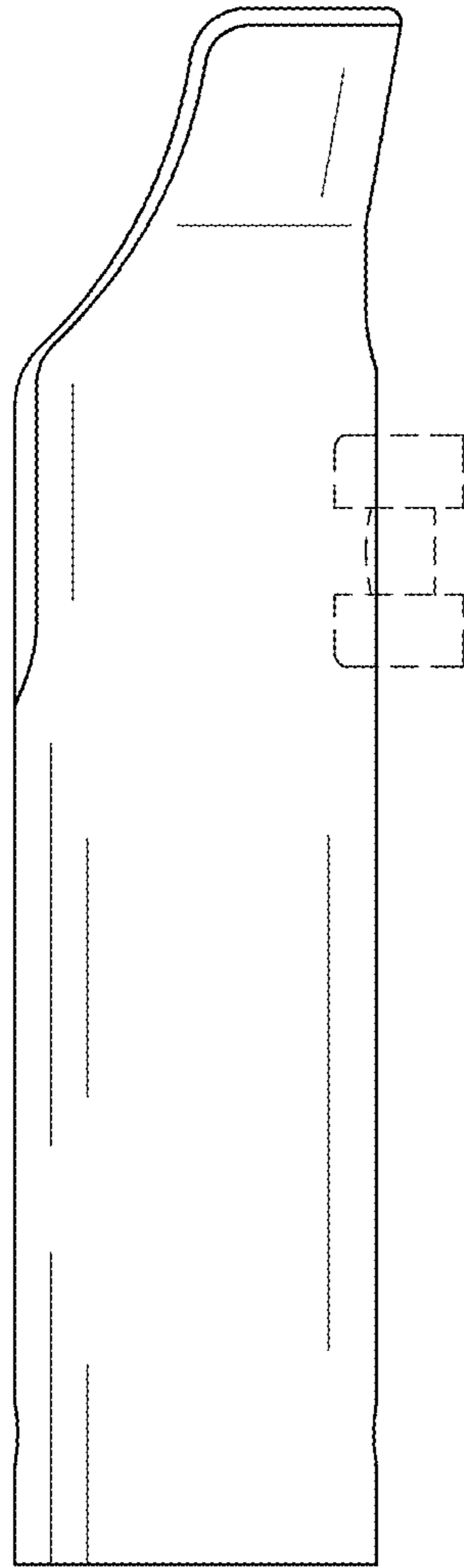


FIG. 5

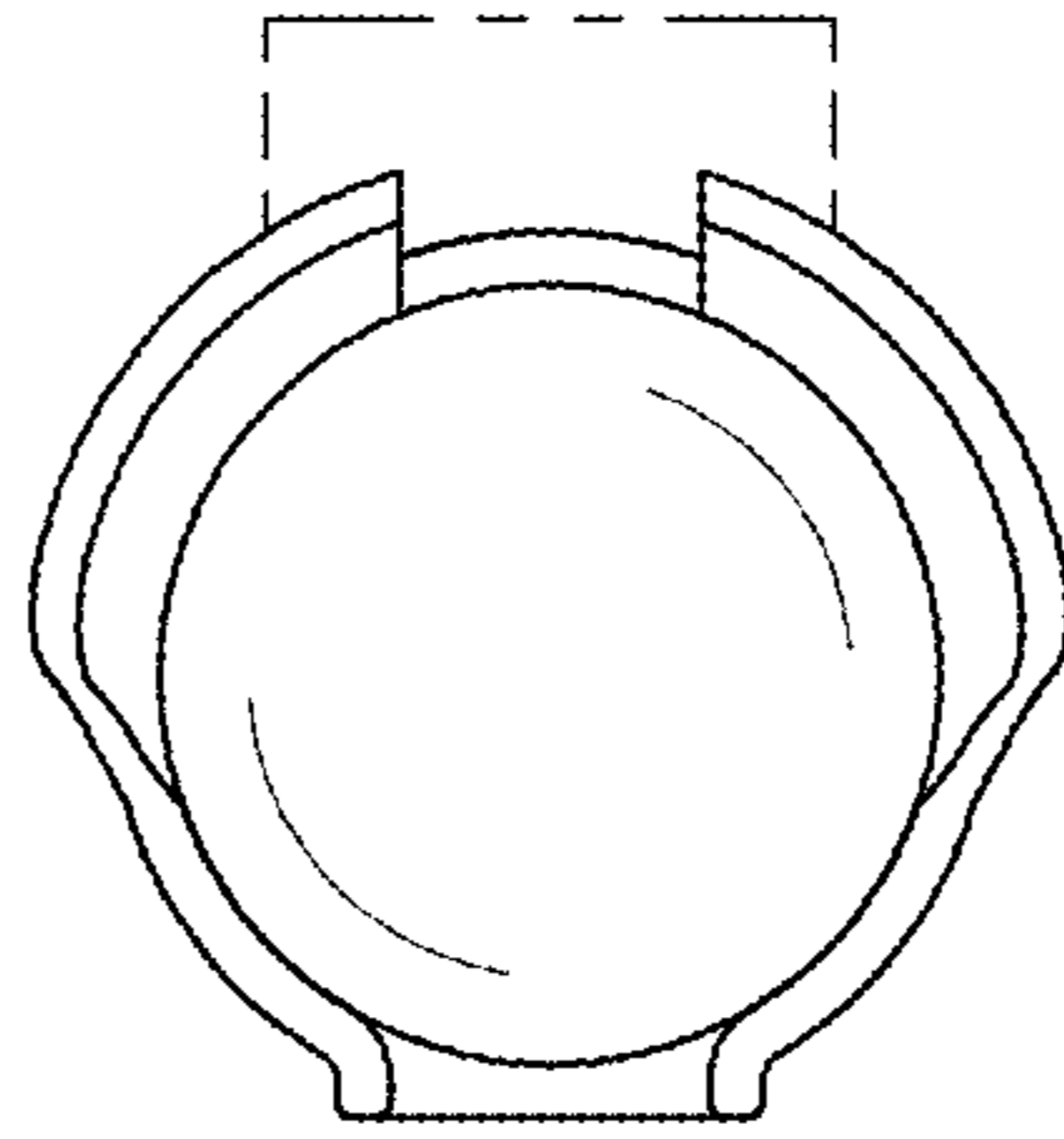


FIG. 6

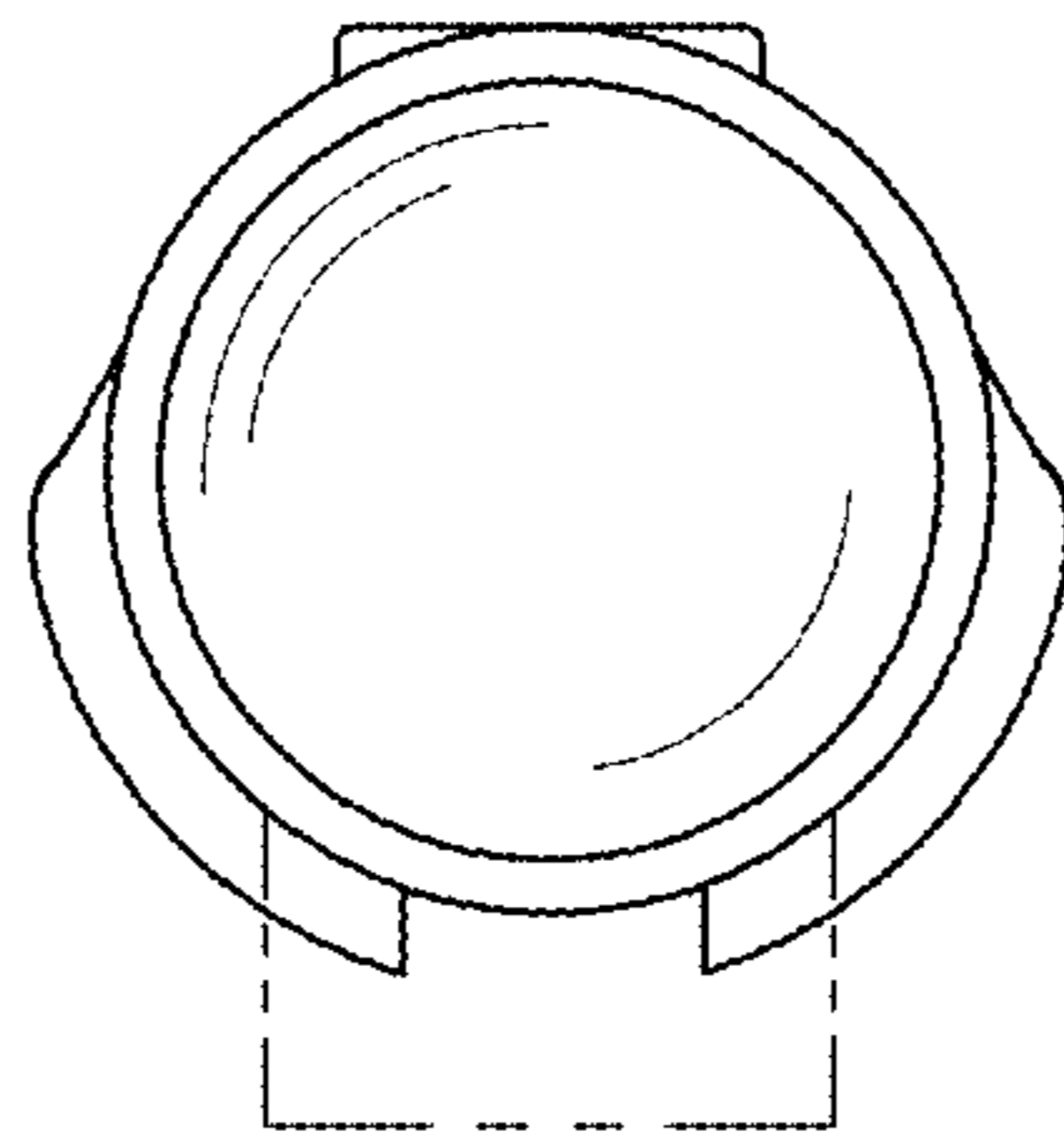


FIG. 7